



US00D960846S

(12) **United States Design Patent**
Kim et al.

(10) **Patent No.:** **US D960,846 S**
(45) **Date of Patent:** **** Aug. 16, 2022**

(54) **TELEVISION**

(71) Applicant: **LG ELECTRONICS INC.**, Seoul (KR)
(72) Inventors: **Yongseok Kim**, Seoul (KR); **Sungyong Park**, Seoul (KR); **Youngkook Seo**, Seoul (KR)
(73) Assignee: **LG ELECTRONICS INC.**, Seoul (KR)
(**) Term: **15 Years**

(21) Appl. No.: **35/511,816**
(22) Filed: **Nov. 3, 2020**

(80) **Hague Agreement Data**
Int. Filing Date: **Nov. 3, 2020**
Int. Reg. No.: **DM/211170**
Int. Reg. Date: **Nov. 3, 2020**
Int. Reg. Pub. Date: **May 7, 2021**

(30) **Foreign Application Priority Data**
May 28, 2020 (KR) 30-2020-0023759
(51) **LOC (13) Cl.** **14-03**
(52) **U.S. Cl.**
USPC **D14/126**
(58) **Field of Classification Search**
USPC D14/125-129, 132, 203.3, 203.7, 300, D14/308, 310, 336, 341, 371, 372-380
CPC G06F 1/1601; G06F 1/1605; G06F 1/162
See application file for complete search history.

(56) **References Cited**

U.S. PATENT DOCUMENTS

D681,576 S * 5/2013 Lee D14/126
D682,228 S * 5/2013 Lee D14/126
D691,605 S * 10/2013 Won D14/374
D715,244 S * 10/2014 Jang D14/126

(Continued)

OTHER PUBLICATIONS

LG UM7300 TV Review, publication date Mar. 4, 2020, [online] URL: <https://www.rtings.com/tv/reviews/lg/um7300> (Year: 2020).*
Primary Examiner — L. A. Grabenstetter
(74) *Attorney, Agent, or Firm* — Birch, Stewart, Kolasch & Birch, LLP

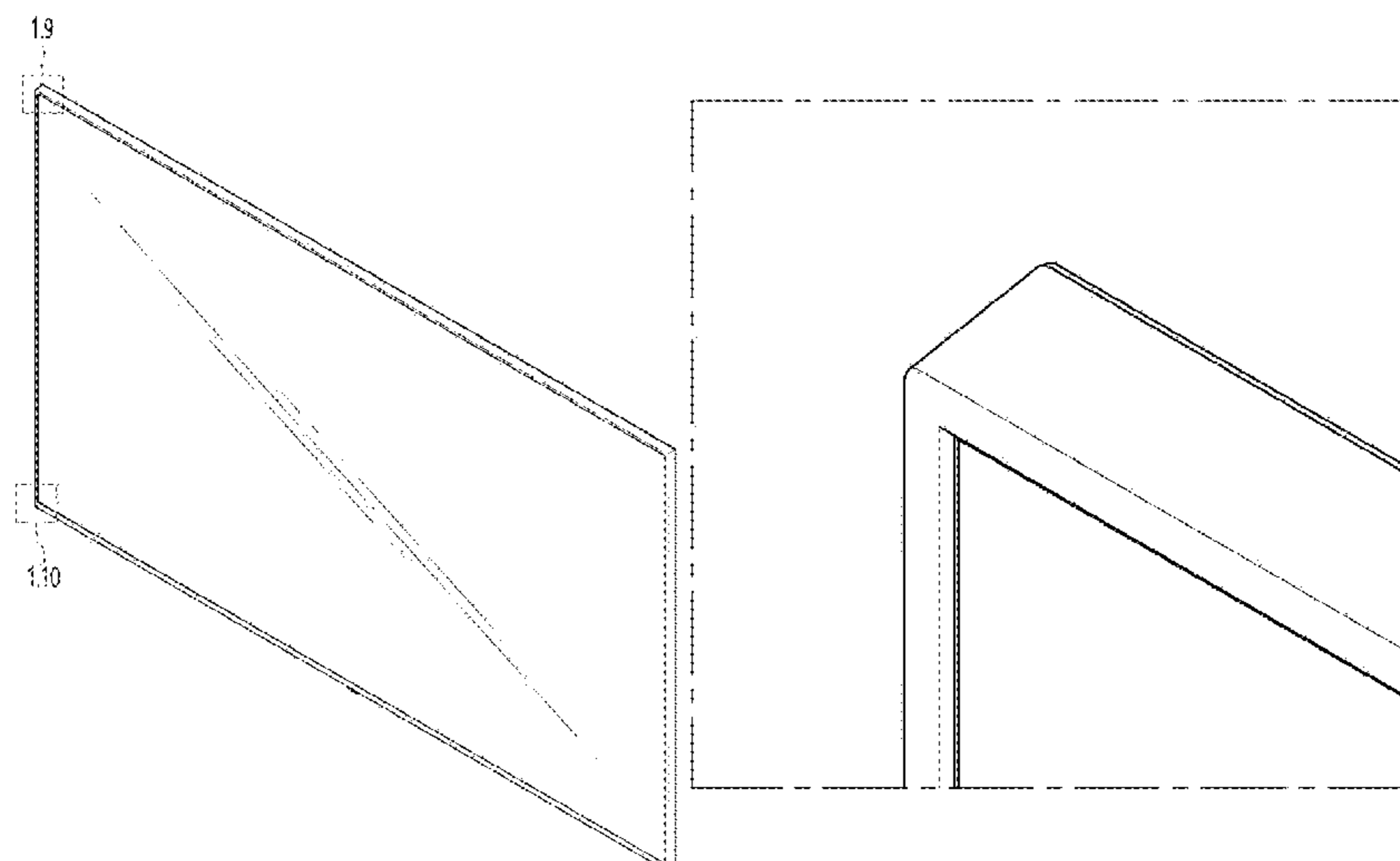
(57) **CLAIM**

The ornamental design for a television, as shown and described.

DESCRIPTION

1. Television
1.1 : Front perspective view
1.2 : Rear perspective view
1.3 : Front view
1.4 : Rear view
1.5 : Left view
1.6 : Right view
1.7 : Top view
1.8 : Bottom view
1.9 : Partial enlarged front perspective view, taken from square 1.9 in reproduction 1.1
1.10 : Partial enlarged front perspective view, taken from square 1.10 in reproduction 1.1
1.11 : Partial enlarged left view, taken from square 1.11 in reproduction 1.5
Reproduction 1.9 and 1.10 are enlarged views of portion of reproduction 1.1 respectively represented by the square in dash dot lines and curvy lines and the numbers; reproduction 1.11 is a enlarged view of portion of reproduction 1.5 represented by the square in dash dot lines and curvy lines and the number. The dash-dash broken lines indicate portions of the television that form no part of the claimed design. The dot-dash broken line boxes and connected wavy lines in reproductions 1.1, 1.5, 1.9, 1.10, and 1.11 are included for the purpose of illustrating the partial enlarged view and form no part of the claimed design.

1 Claim, 11 Drawing Sheets



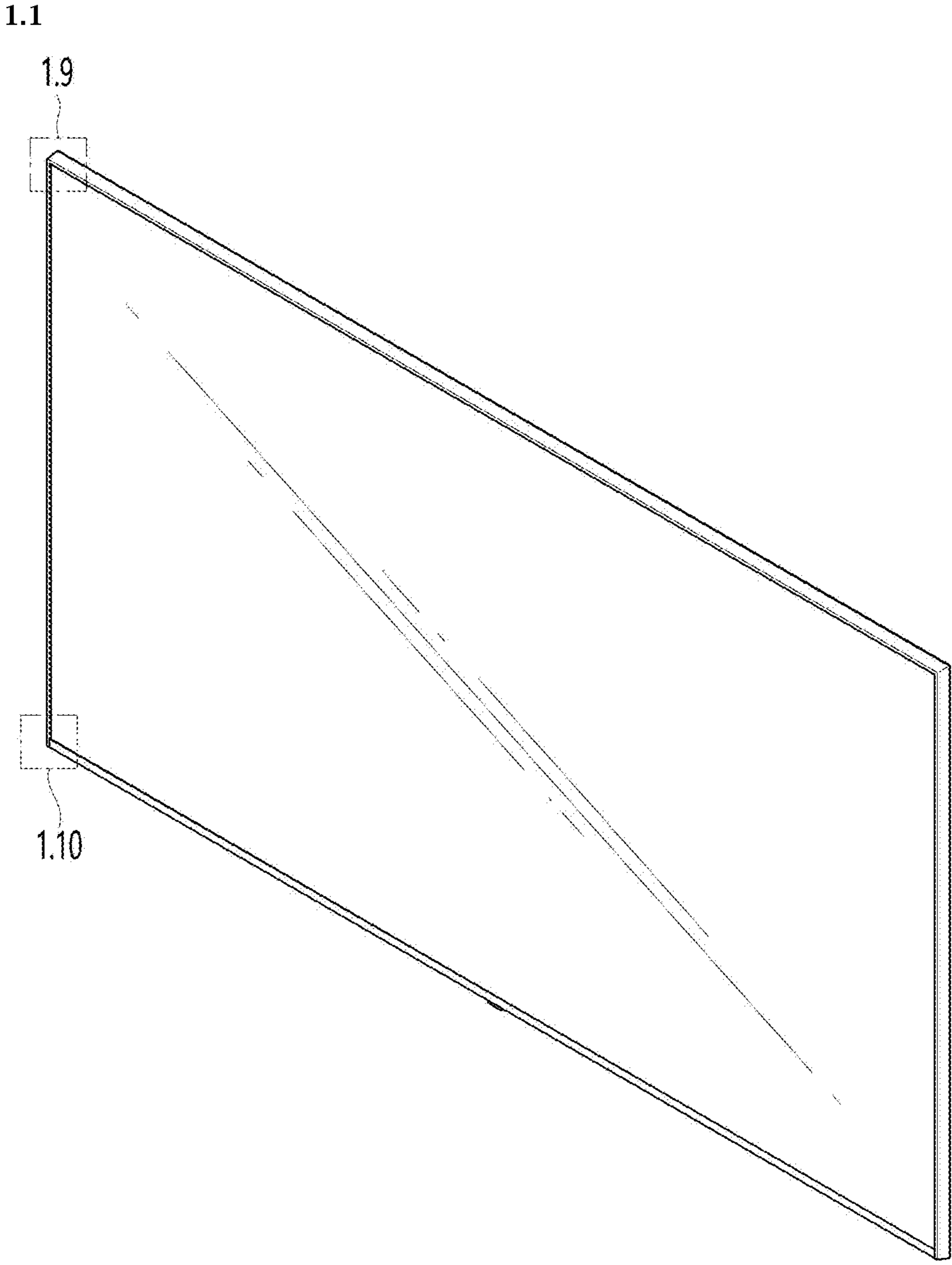
(56)

References Cited

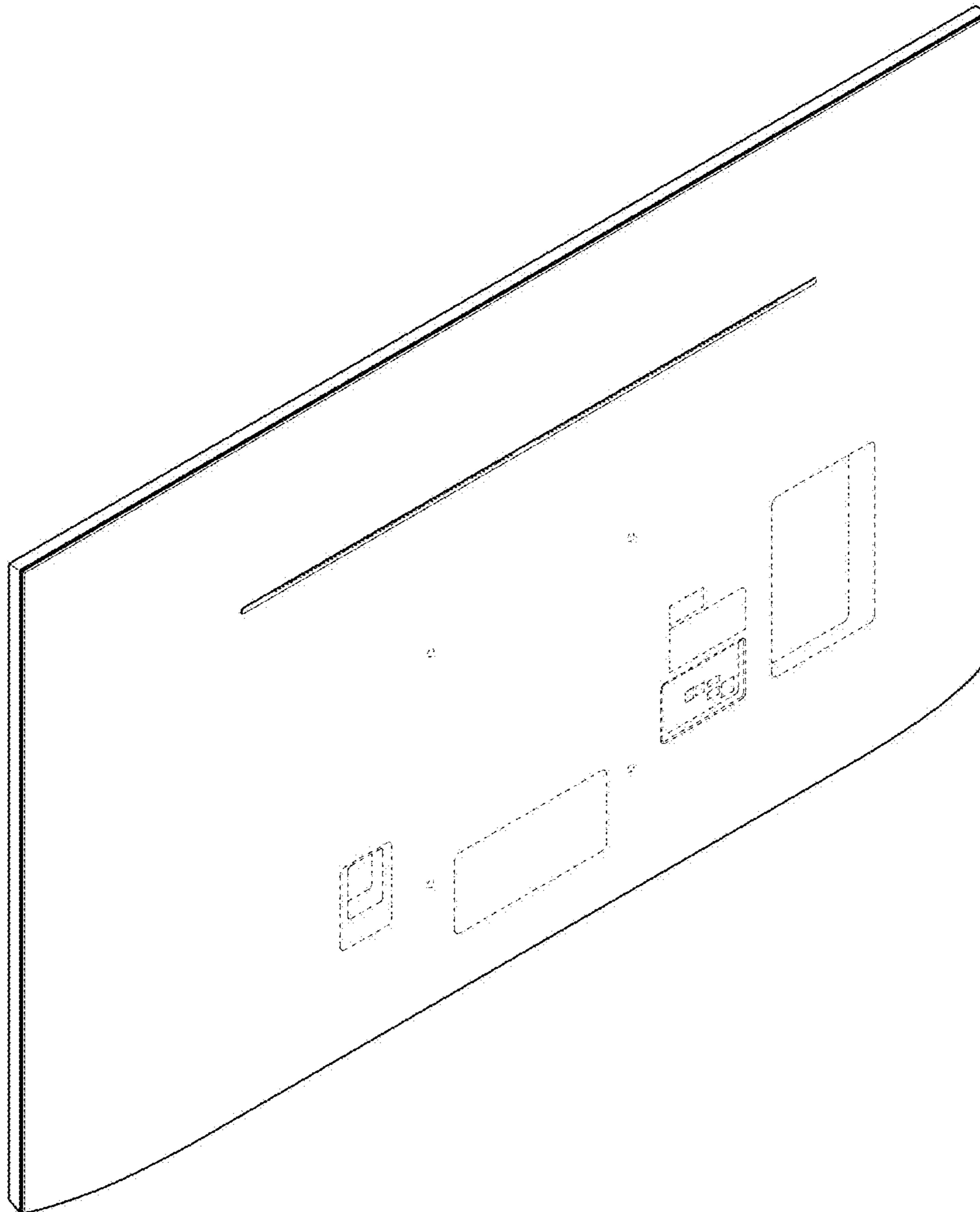
U.S. PATENT DOCUMENTS

D778,854 S *	2/2017	Lee	D14/126
D782,433 S *	3/2017	Lee	D14/126
D783,554 S *	4/2017	Kim	D14/126
D811,357 S *	2/2018	Won	D14/126
D821,343 S *	6/2018	Won	D14/126
D822,632 S *	7/2018	Lee	D14/126
D835,593 S *	12/2018	Shin	D14/126
D852,766 S *	7/2019	Kang	D14/126
D852,767 S *	7/2019	Kim	D14/126
D856,292 S *	8/2019	Lim	D14/126
D860,962 S *	9/2019	Lee	D14/126
D865,728 S *	11/2019	Kim	D14/126
D875,695 S *	2/2020	Li	D14/126
D890,110 S *	7/2020	Kim	D14/126
D896,194 S *	9/2020	Kim	D14/126
D899,388 S *	10/2020	Park	D14/126
D899,390 S *	10/2020	Park	D14/126
D900,766 S *	11/2020	Kim	D14/126

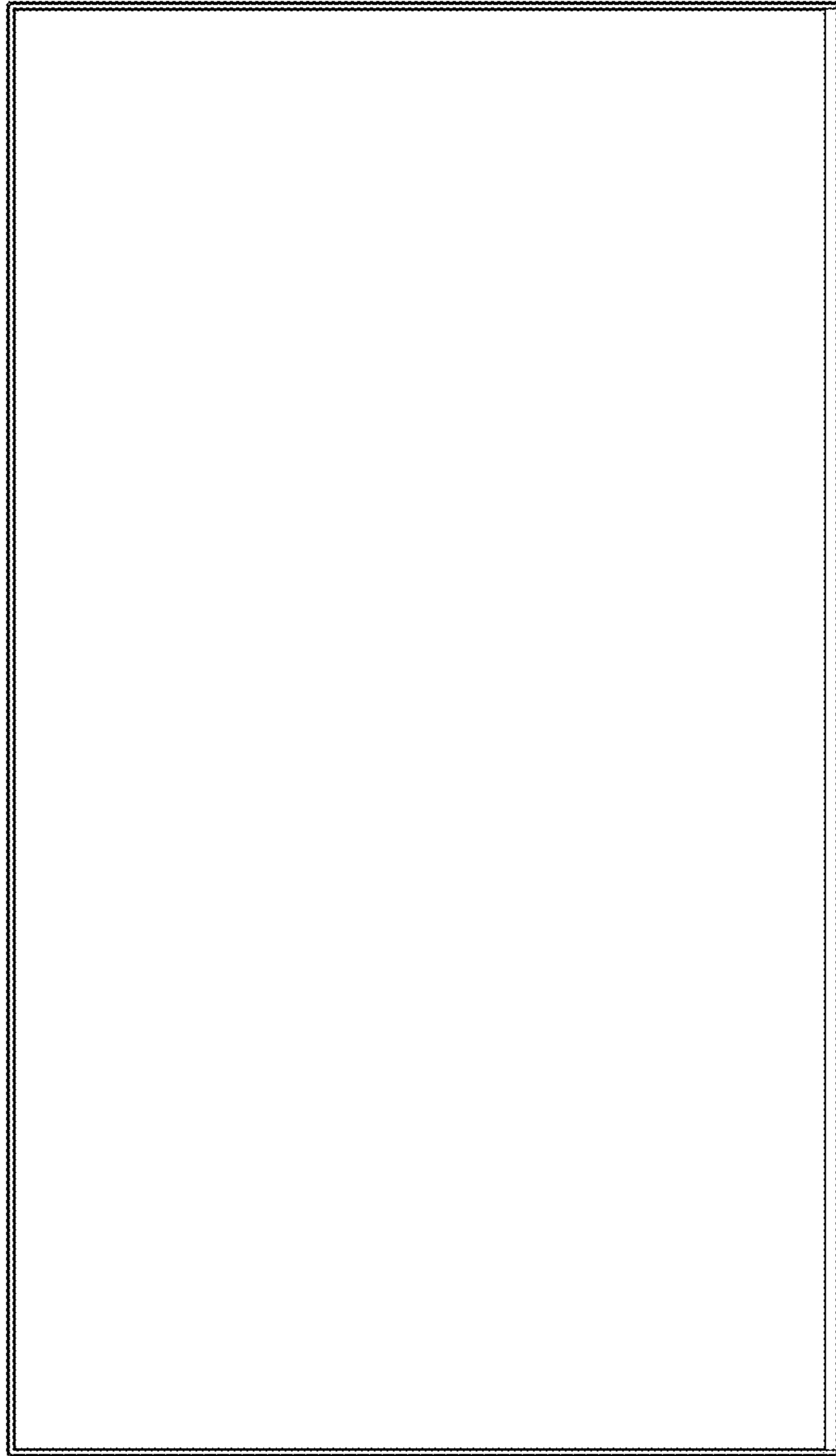
* cited by examiner



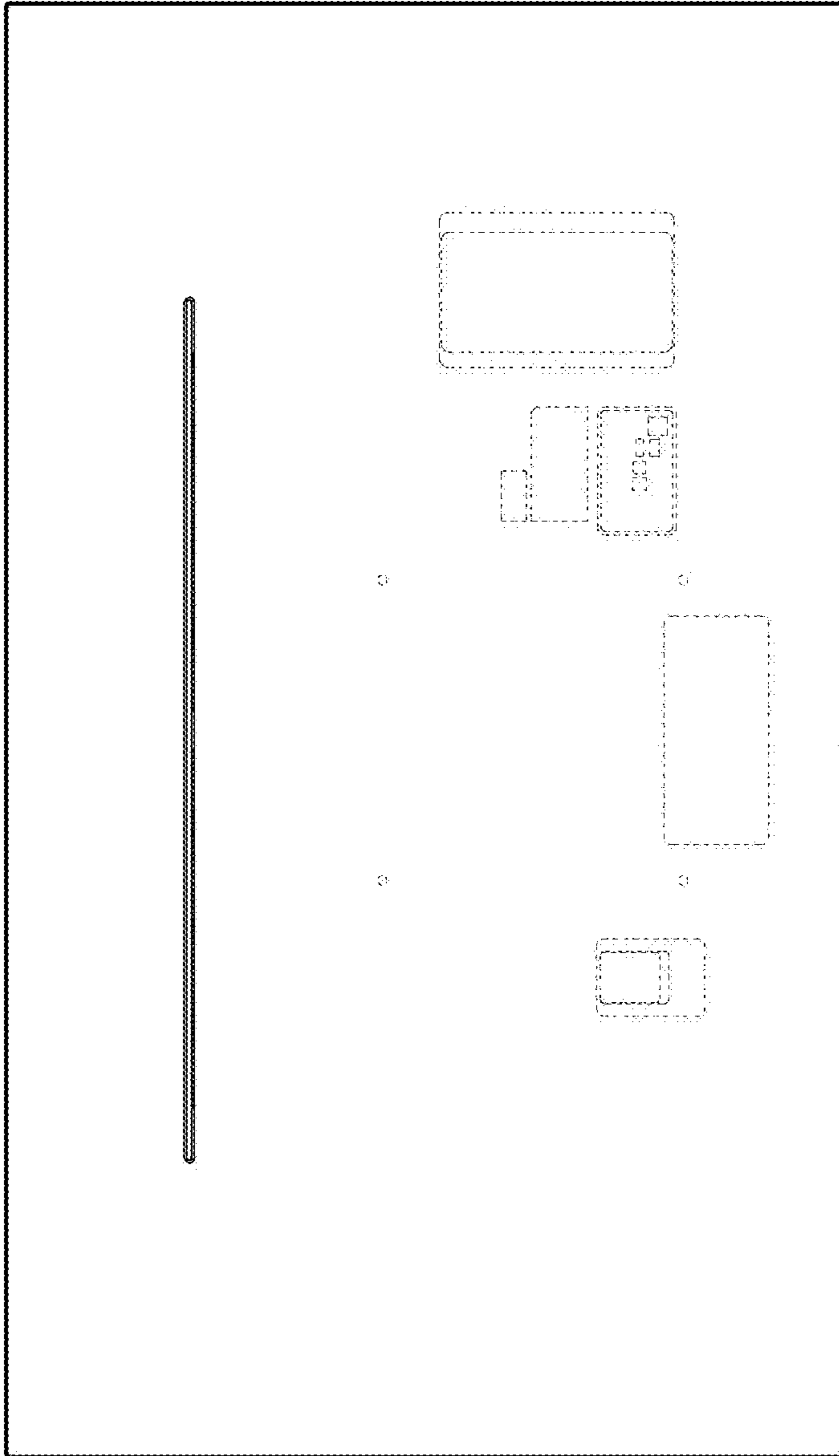
1.2



1.3

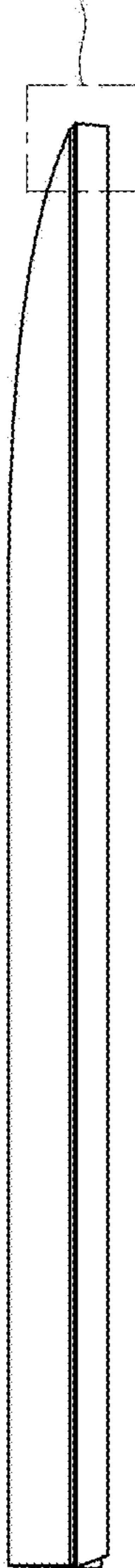


1.4

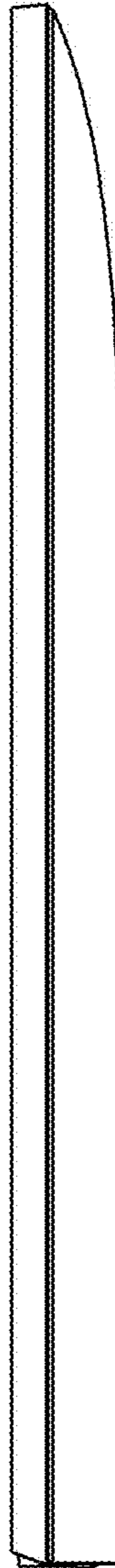


1.5

1.11



1.6



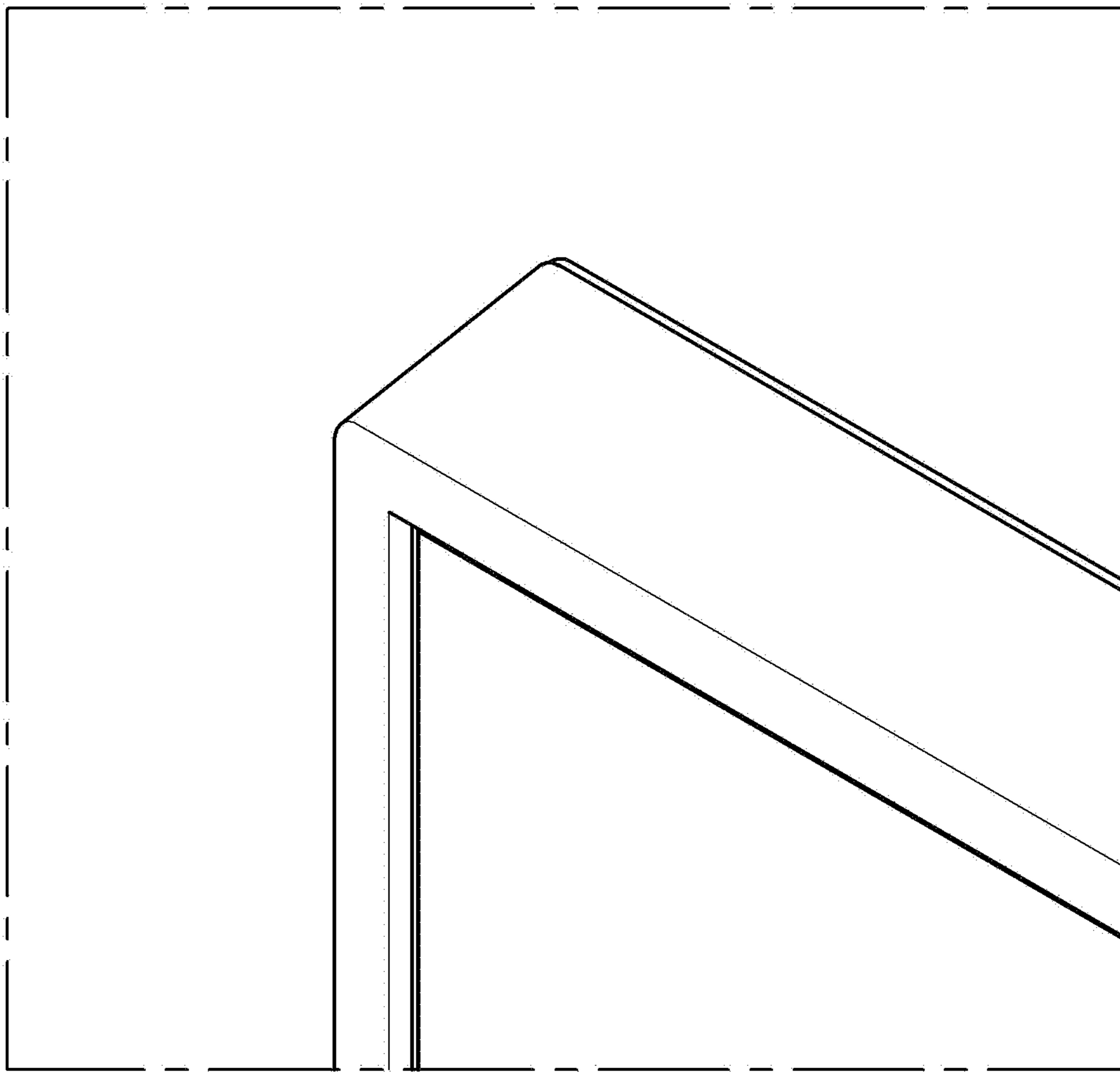
1.7

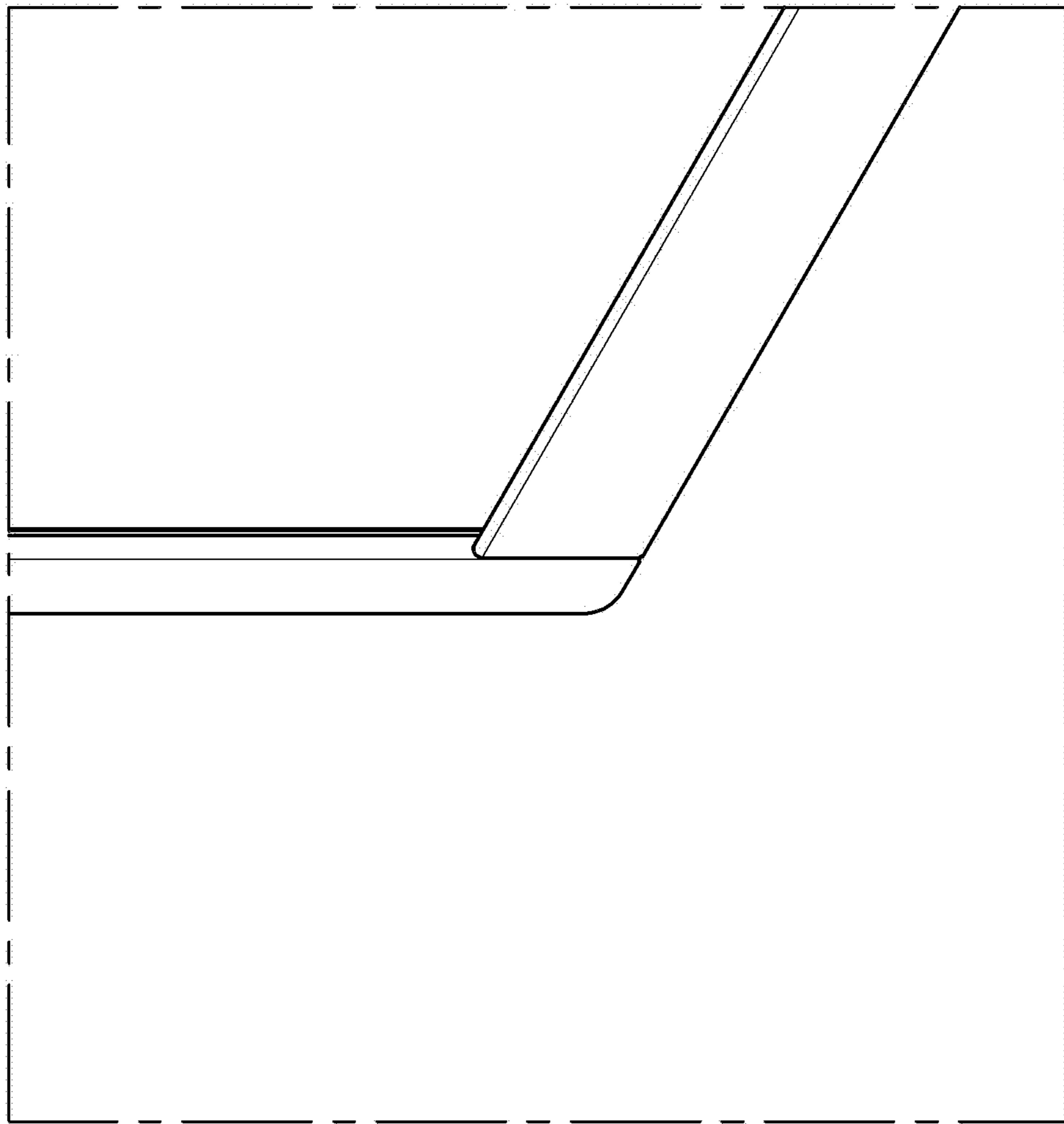


1.8



1.9





1.10

1.11

