



US00D960845S

(12) **United States Design Patent**
Hanson et al.

(10) **Patent No.:** **US D960,845 S**

(45) **Date of Patent:** **** Aug. 16, 2022**

(54) **HOUSE BOX**

(71) Applicant: **PPC BROADBAND, INC.**, East
Syracuse, NY (US)

(72) Inventors: **Brian K. Hanson**, Cicero, NY (US);
Andriy Lozhko, Syracuse, NY (US);
Cameron James Adams, Camillus, NY
(US); **Jay A. Kisselstein**, Mexico, NY
(US)

(73) Assignee: **PPC BROADBAND, INC.**, East
Syracuse, NY (US)

(**) Term: **15 Years**

(21) Appl. No.: **29/763,451**

(22) Filed: **Dec. 22, 2020**

(51) **LOC (13) Cl.** **13-03**

(52) **U.S. Cl.**
USPC **D13/184**; D13/152

(58) **Field of Classification Search**
USPC D13/103, 107, 108, 110, 118, 119, 123,
D13/133, 137.1–137.4, 138.1–138.2,
D13/139.1–139.8, 152–154, 158–159,
D13/160–162, 164, 177, 184, 199;
D14/358; D25/58
CPC H04Q 1/028; H04M 1/0293; H02G 3/081;
H01R 13/502; G02B 6/3897; H05K 5/00;
H05K 5/0073

See application file for complete search history.

(56) **References Cited**

U.S. PATENT DOCUMENTS

- 4,729,059 A * 3/1988 Wang H01R 13/502
361/657
- 4,910,770 A * 3/1990 Collins H04Q 1/028
361/657
- D508,568 S * 8/2005 Holman D25/58
- D582,848 S * 12/2008 Johansson D13/123

- D660,261 S * 5/2012 Huang D13/184
- D810,078 S * 2/2018 Kikuchi D14/358
- D874,414 S * 2/2020 Adams D13/184
- D880,438 S * 4/2020 Adams D13/184
- D884,651 S * 5/2020 Adams D13/152
- 2006/0153516 A1* 7/2006 Napiorkowski H04Q 1/028
385/135
- 2009/0314907 A1* 12/2009 Romerein H04M 1/0293
248/205.1
- 2016/0091681 A1* 3/2016 Hanson H02G 3/081
385/135
- 2020/0301078 A1* 9/2020 Montena G02B 6/3897

OTHER PUBLICATIONS

PPC, Date: Oct. 21, 2020, [online], [site visited Dec. 29, 2021].
Available from internet, URL: <https://www.ppc-online.com/product-search/enclosure-phb872> (Year: 2020).*

* cited by examiner

Primary Examiner — Shawn T Gingrich
Assistant Examiner — Bryan Nolan Melvin
(74) *Attorney, Agent, or Firm* — MH2 Technology Law
Group LLP

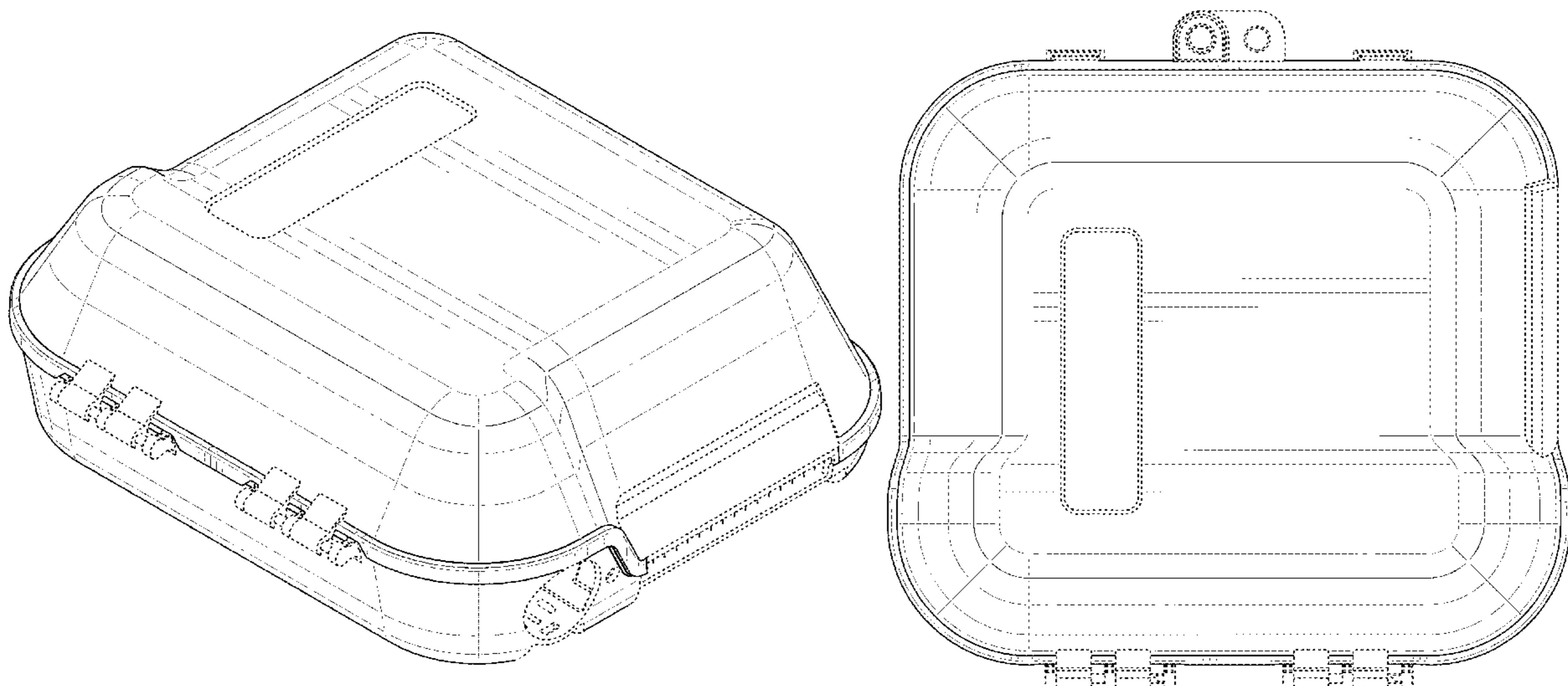
(57) **CLAIM**

The ornamental design for a house box, as shown and described.

DESCRIPTION

FIG. 1 is a front, top, left-side view of the house box;
FIG. 2 is a right-side elevational view;
FIG. 3 is a left-side elevational view thereof;
FIG. 4 is a rear elevational view thereof;
FIG. 5 is a front elevational view thereof;
FIG. 6 is a top plan view thereof; and,
FIG. 7 is a bottom plan view thereof.
The broken lines in the drawings illustrate features of the
house box that form no part of the claimed design.

1 Claim, 7 Drawing Sheets



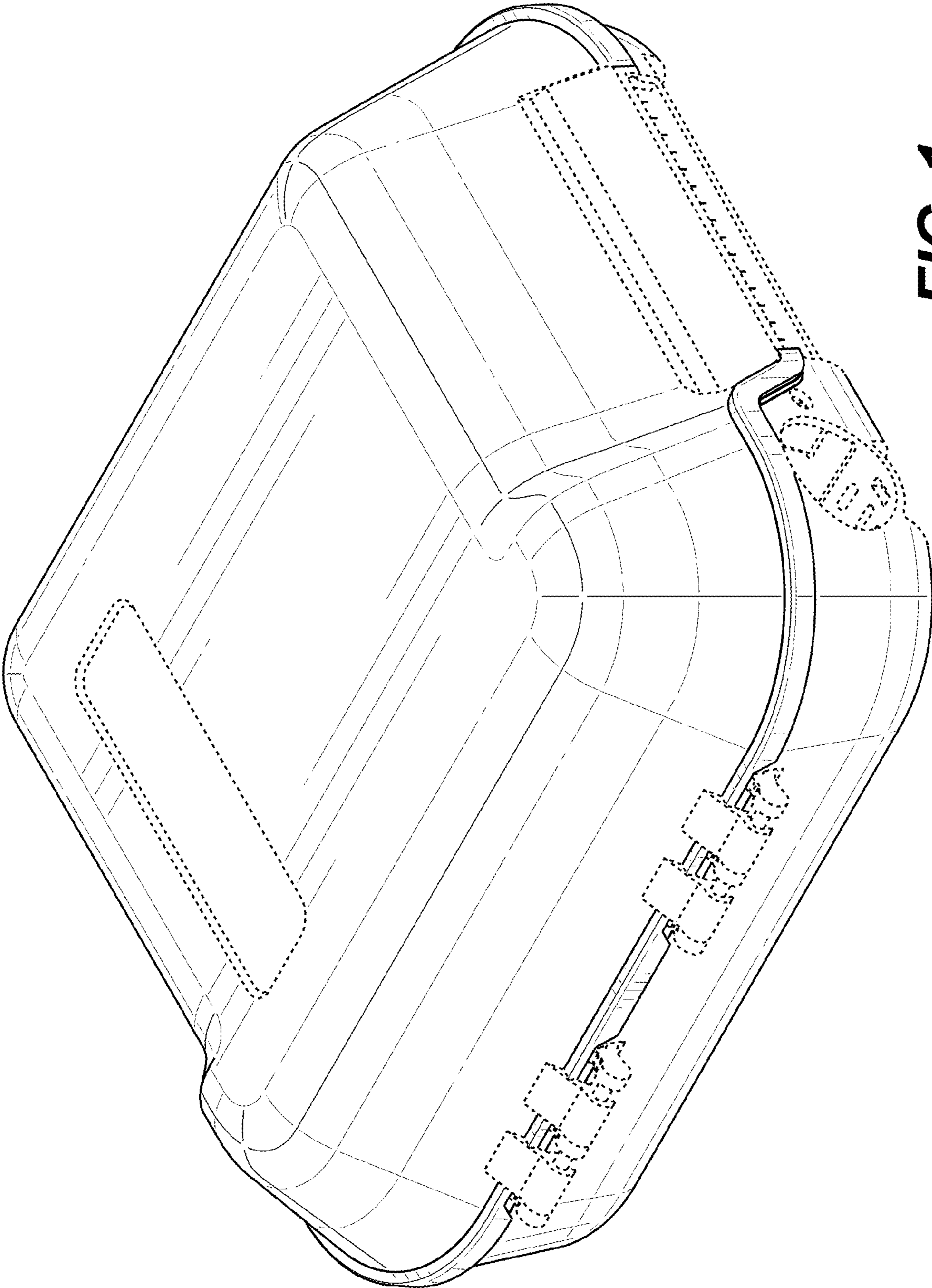


FIG. 1

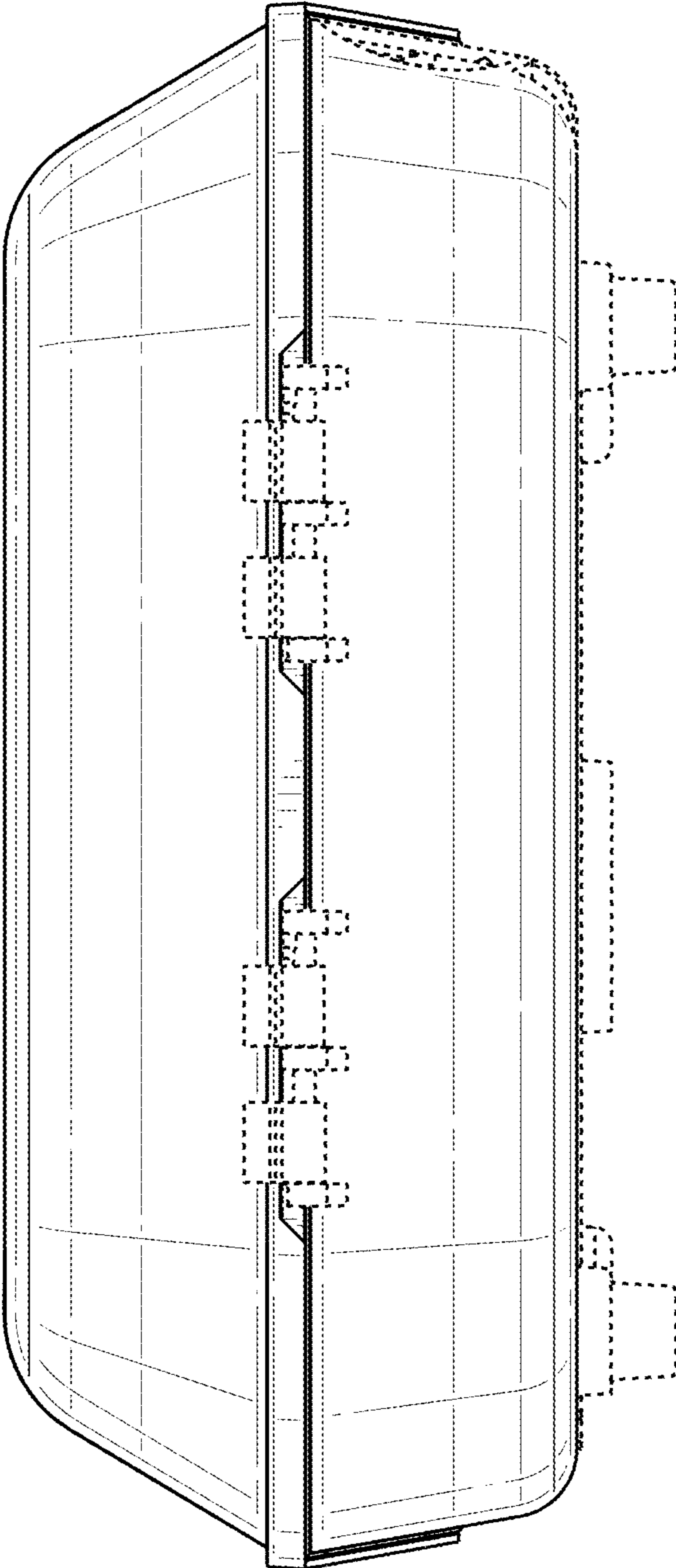


FIG. 2

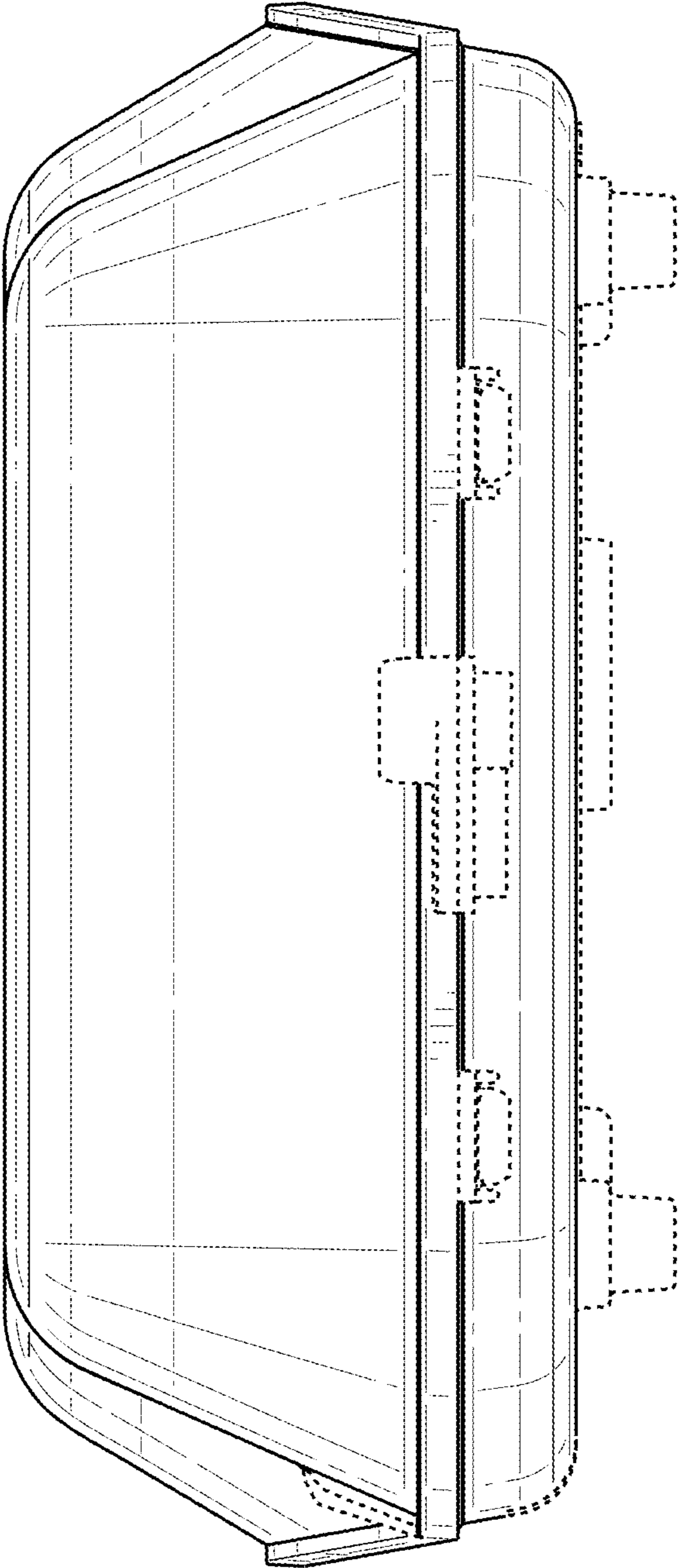


FIG. 3

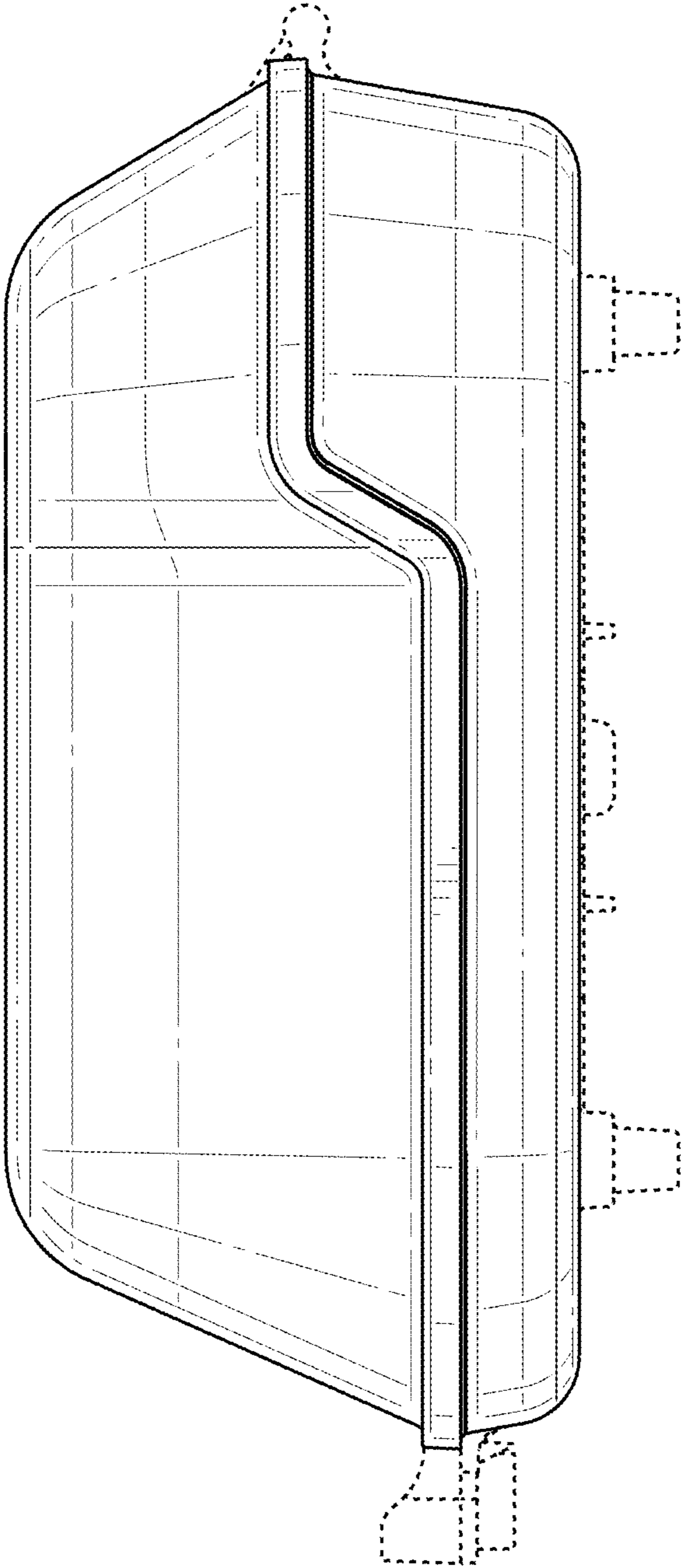


FIG. 4

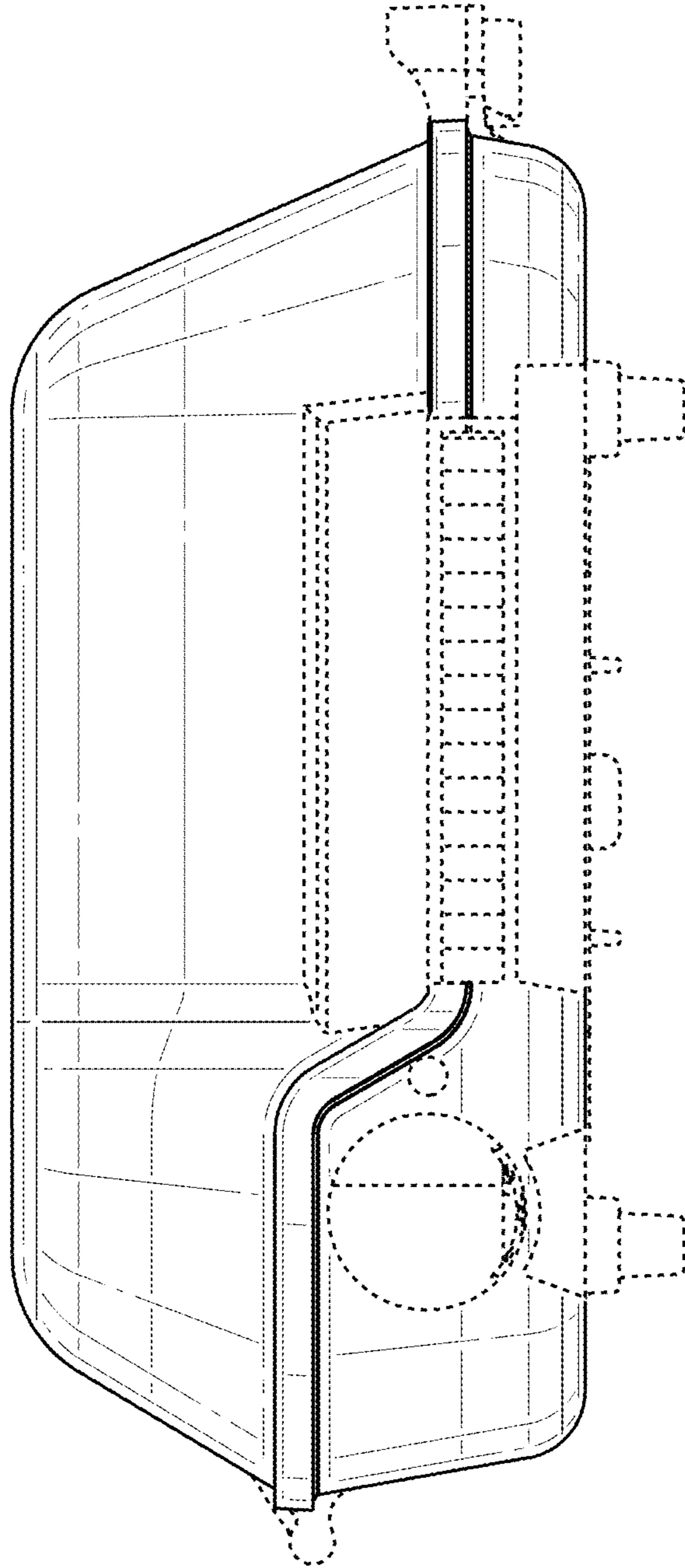


FIG. 5

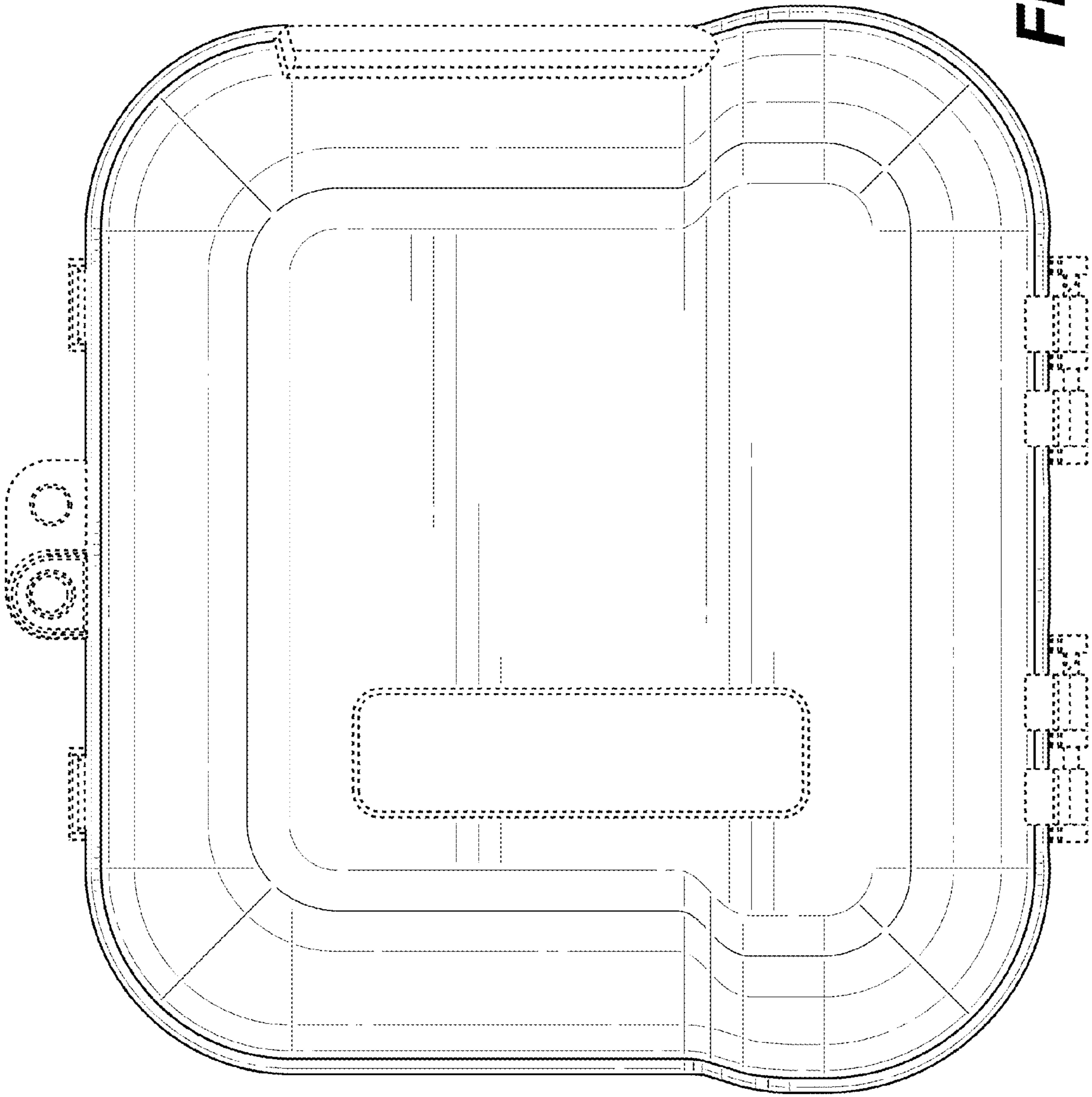


FIG. 6

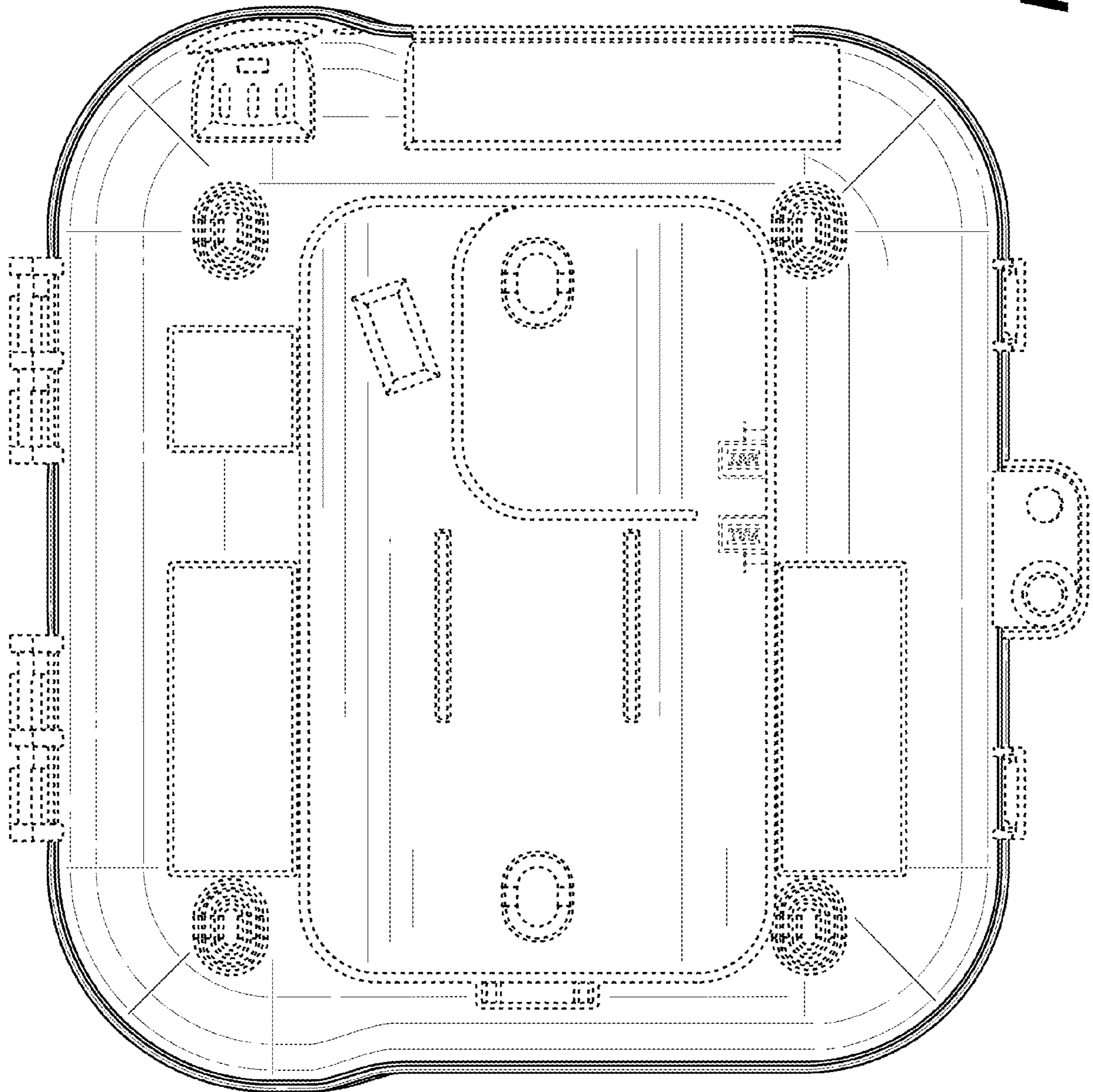


FIG. 7