



US00D960843S

(12) **United States Design Patent** (10) **Patent No.:** **US D960,843 S**
Serum et al. (45) **Date of Patent:** **** Aug. 16, 2022**

- (54) **CONDUIT ADAPTER**
- (71) Applicant: **Connectum USA, LLC**, Osseo, WI (US)
- (72) Inventors: **Jackson Serum**, Mondovi, WI (US); **Dustin Hoffman**, Osseo, WI (US)
- (73) Assignee: **Connectum USA, LLC**
- (**) Term: **15 Years**
- (21) Appl. No.: **29/721,325**
- (22) Filed: **Jan. 20, 2020**

D549,179 S *	8/2007	Amidon	D13/151
D570,781 S *	6/2008	Amidon	D13/133
8,020,899 B2 *	9/2011	Hanna	F16L 47/16 285/417
D659,103 S *	5/2012	Natoli	D13/156
D671,899 S *	12/2012	Verhoeven	H02G 15/013 D13/156
D749,047 S *	2/2016	Smith	D13/149
D830,312 S *	10/2018	Nguyen	D13/154
D830,313 S *	10/2018	Nguyen	D13/154
D892,278 S *	8/2020	Eitschberger	D23/262

* cited by examiner

Primary Examiner — Jennifer O King
(74) *Attorney, Agent, or Firm* — Anthony J. Bourget

Related U.S. Application Data

- (63) Continuation of application No. 15/368,163, filed on Dec. 2, 2016, now Pat. No. 10,539,256.

(51) **LOC (13) Cl.** **13-03**

(52) **U.S. Cl.**
USPC **D13/155**

(58) **Field of Classification Search**
USPC D13/133, 151, 154, 155, 156, 149;
D23/262

CPC F16L 15/006; H01R 13/52; H02G 15/013;
H02G 15/14

See application file for complete search history.

(56) **References Cited**

U.S. PATENT DOCUMENTS

2,366,067 A *	12/1944	Smith	F16L 37/025 285/107
D418,210 S *	12/1999	Roesch	D23/262
D460,947 S *	7/2002	Montena	D13/154
D475,977 S *	6/2003	Montena	D13/151
D538,750 S *	3/2007	Montena	D13/133

(57) **CLAIM**

The ornamental design for a conduit adapter, as shown and described.

DESCRIPTION

FIG. 1 is a top perspective view of a conduit adapter showing our new design;

FIG. 2 is a bottom perspective view of the conduit adapter of FIG. 1;

FIG. 3 is a front elevational view of the conduit adapter of FIG. 1, the rear elevational view being identical;

FIG. 4 is a left-side elevational view of the conduit adapter of FIG. 1, the right-side elevational view being identical;

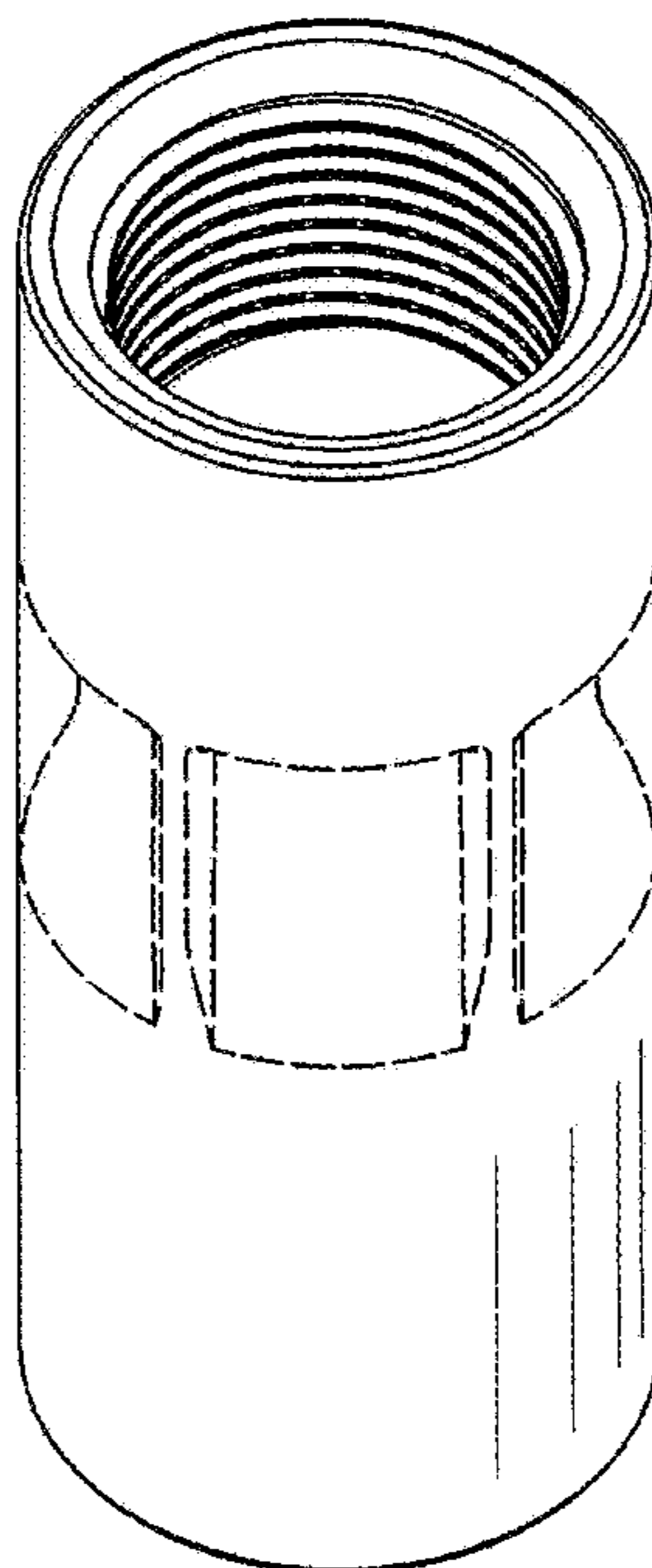
FIG. 5 is a top plan view of the conduit adapter of FIG. 1;

FIG. 6 is a bottom plan view of the conduit adapter of FIG. 1; and,

FIG. 7 is a further-angled bottom perspective view of the conduit adapter of FIG. 1.

The evenly spaced broken lines show portions of the conduit adapter that form no part of the claimed design.

1 Claim, 7 Drawing Sheets



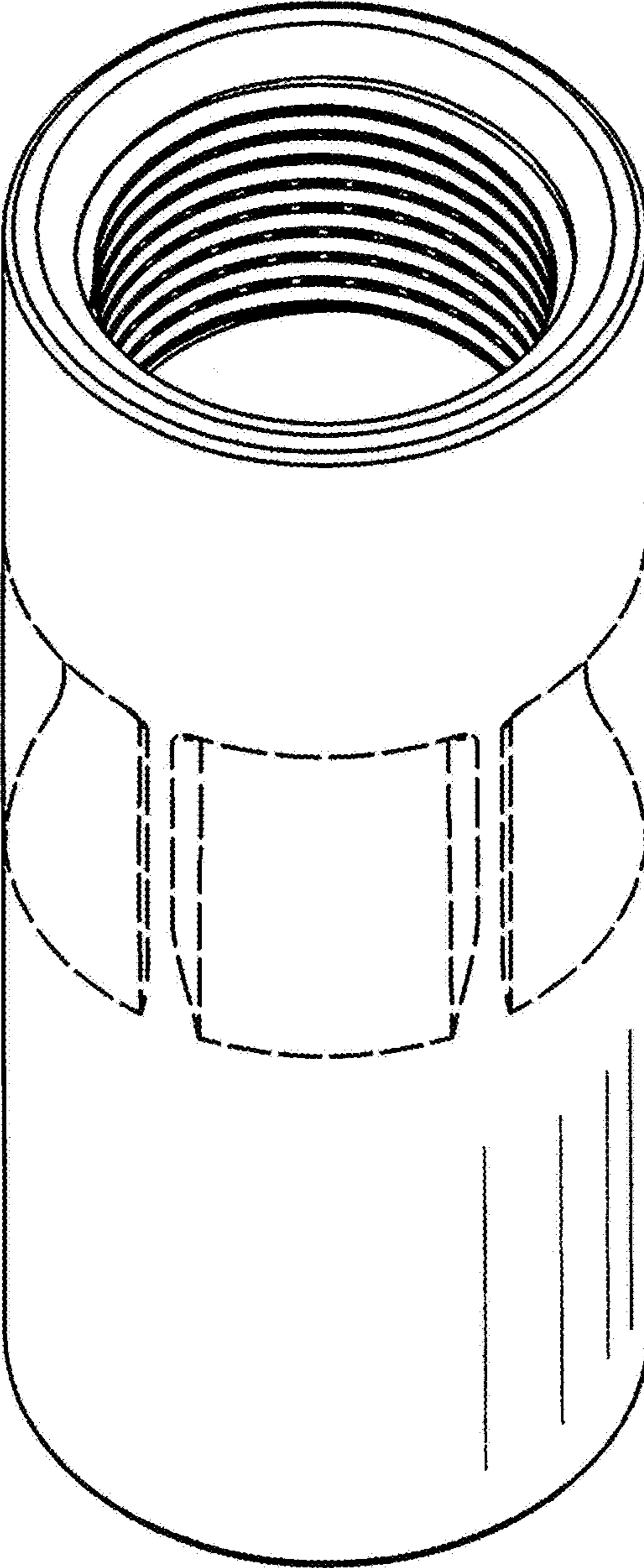


FIG. 1

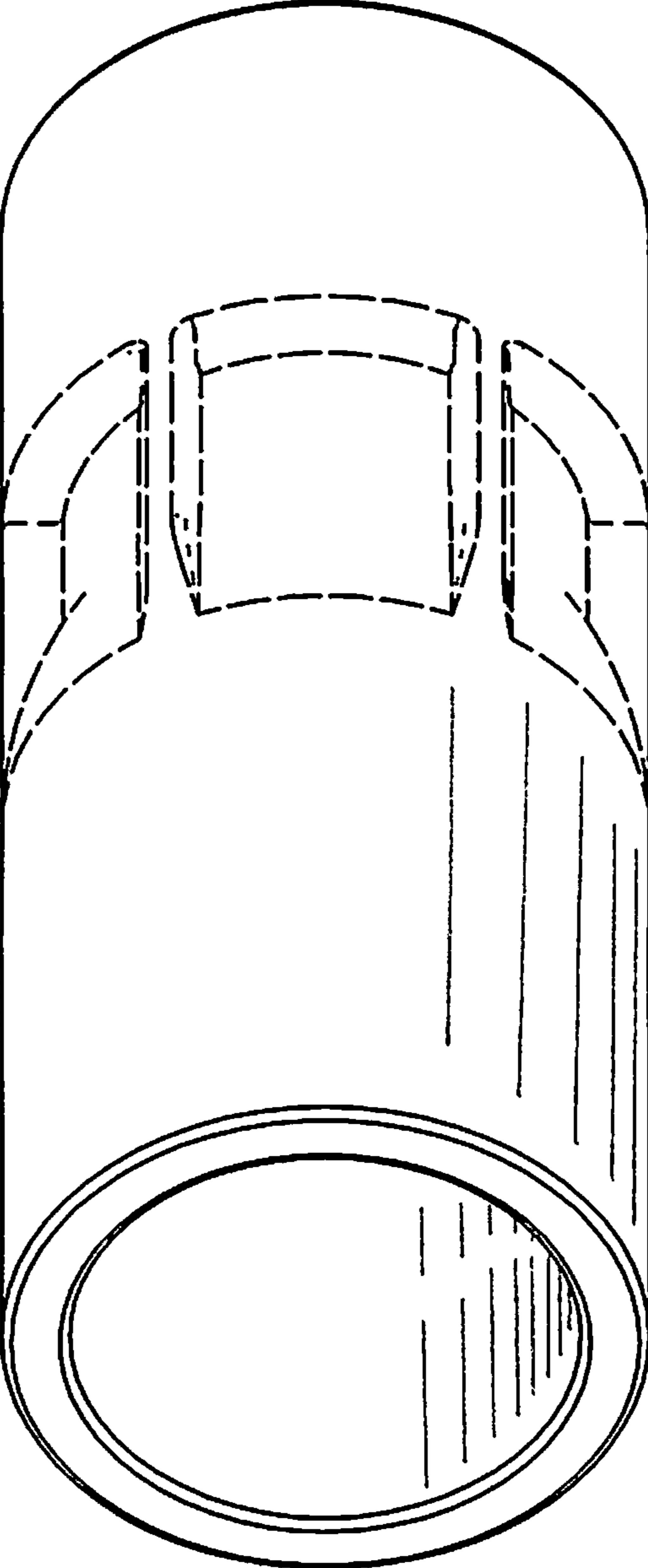


FIG. 2

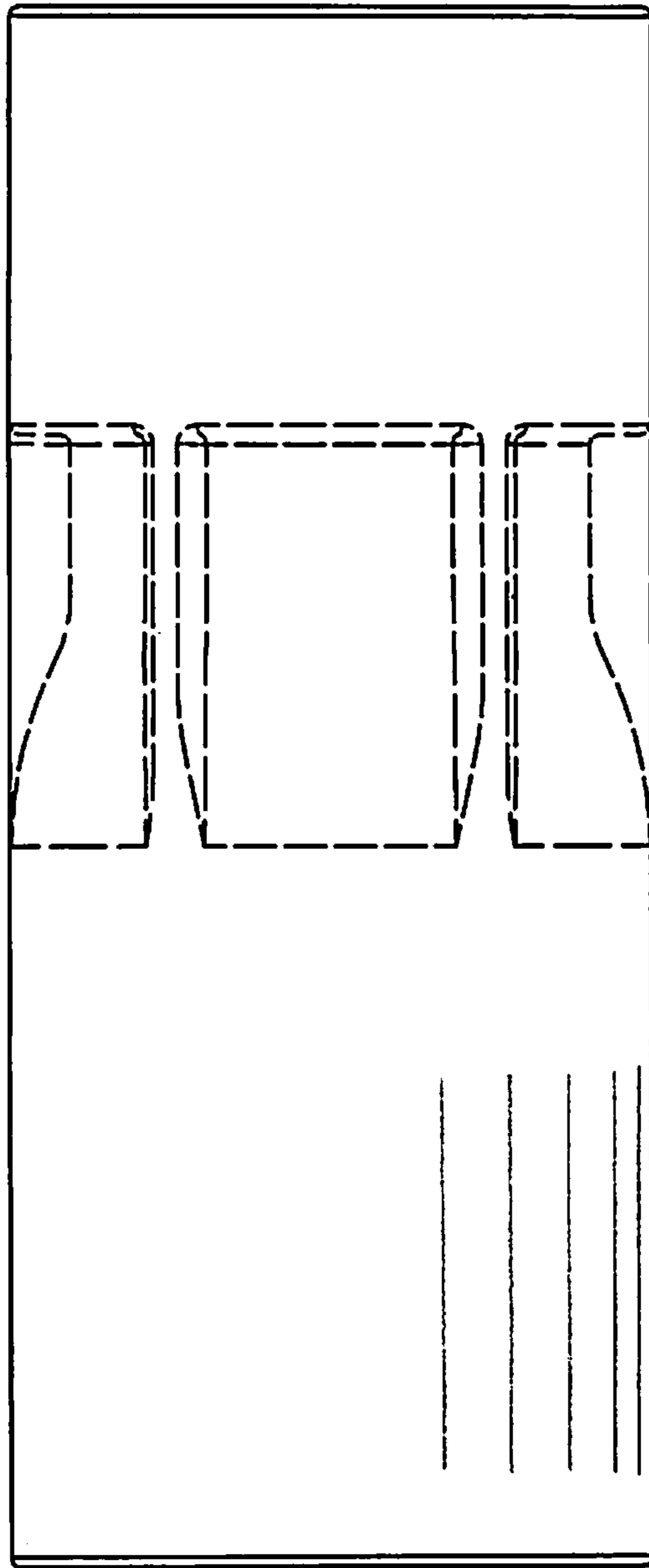


FIG. 3

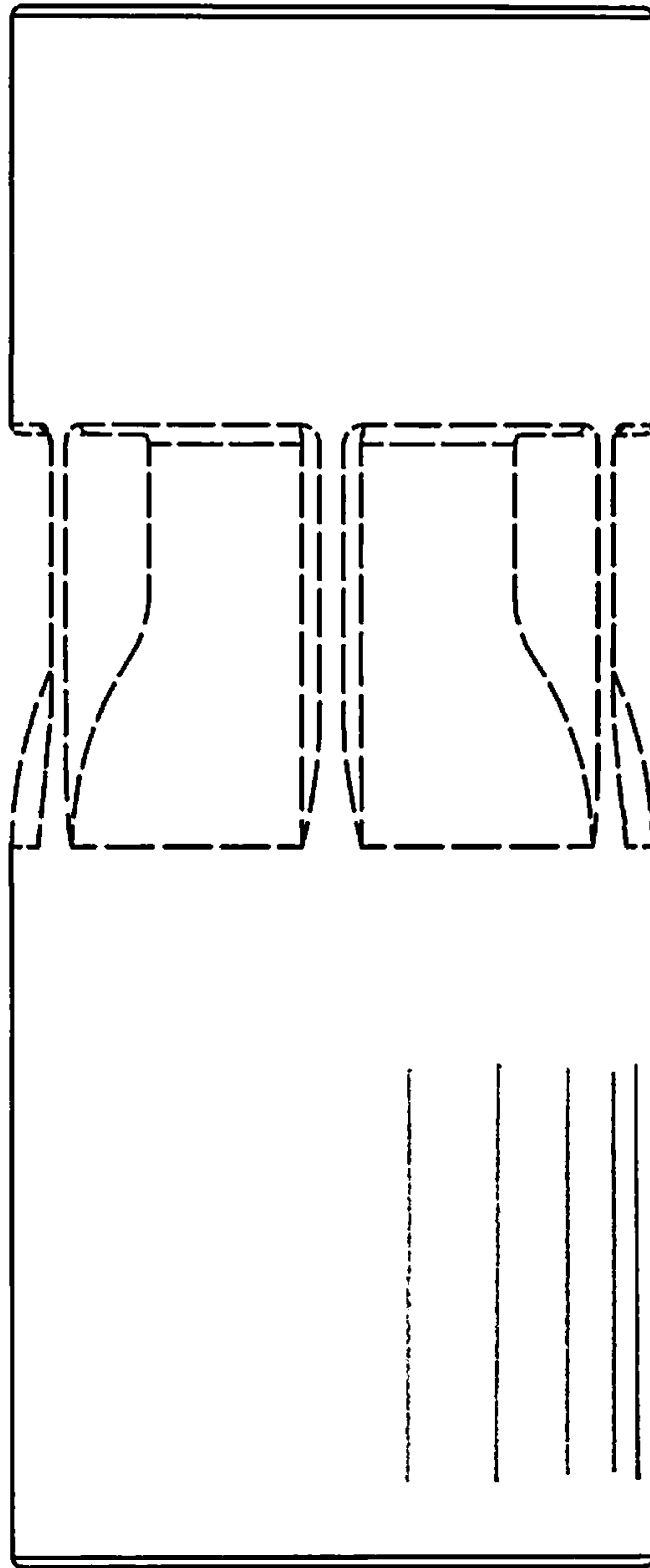


FIG. 4

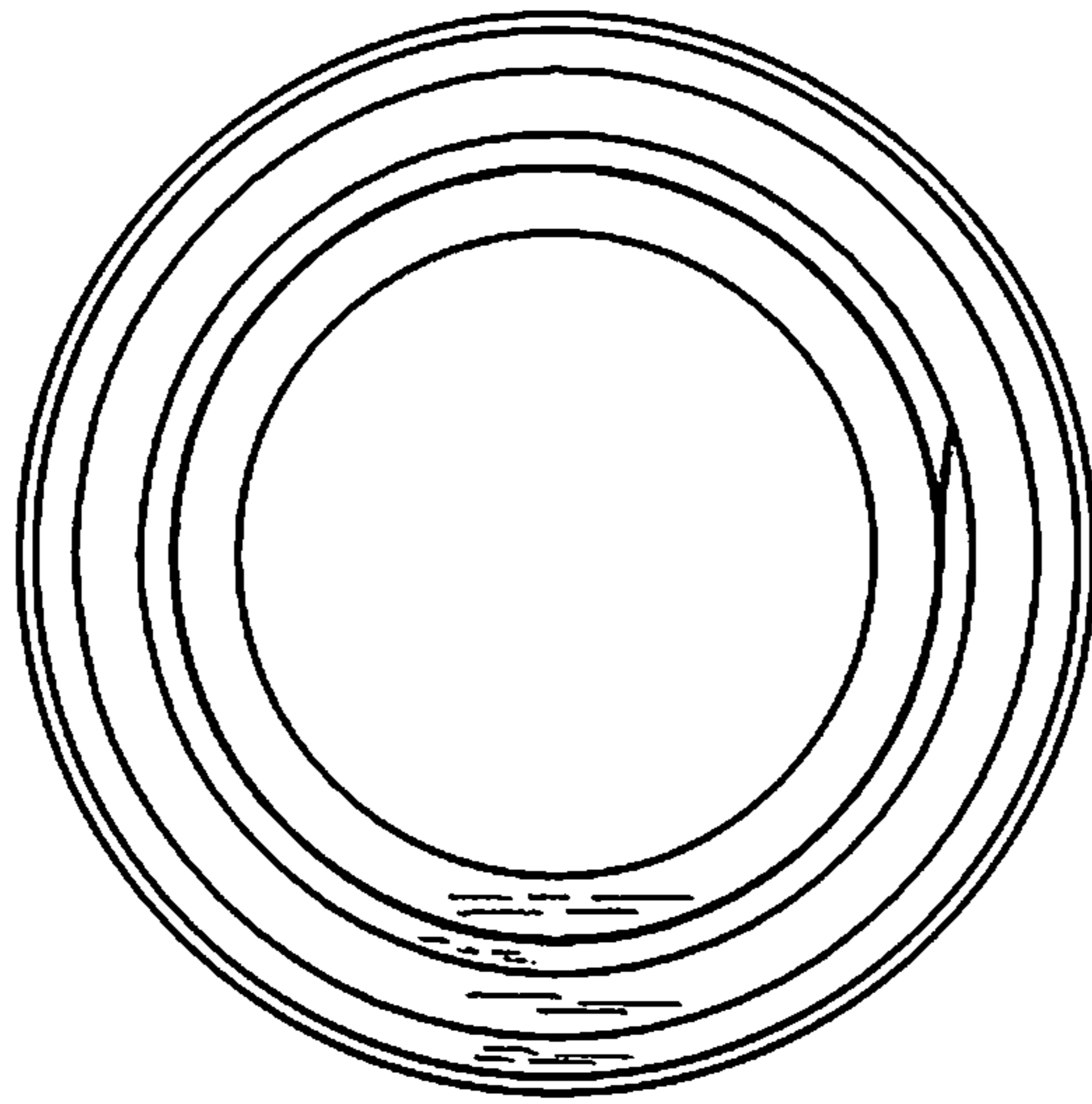


FIG. 5

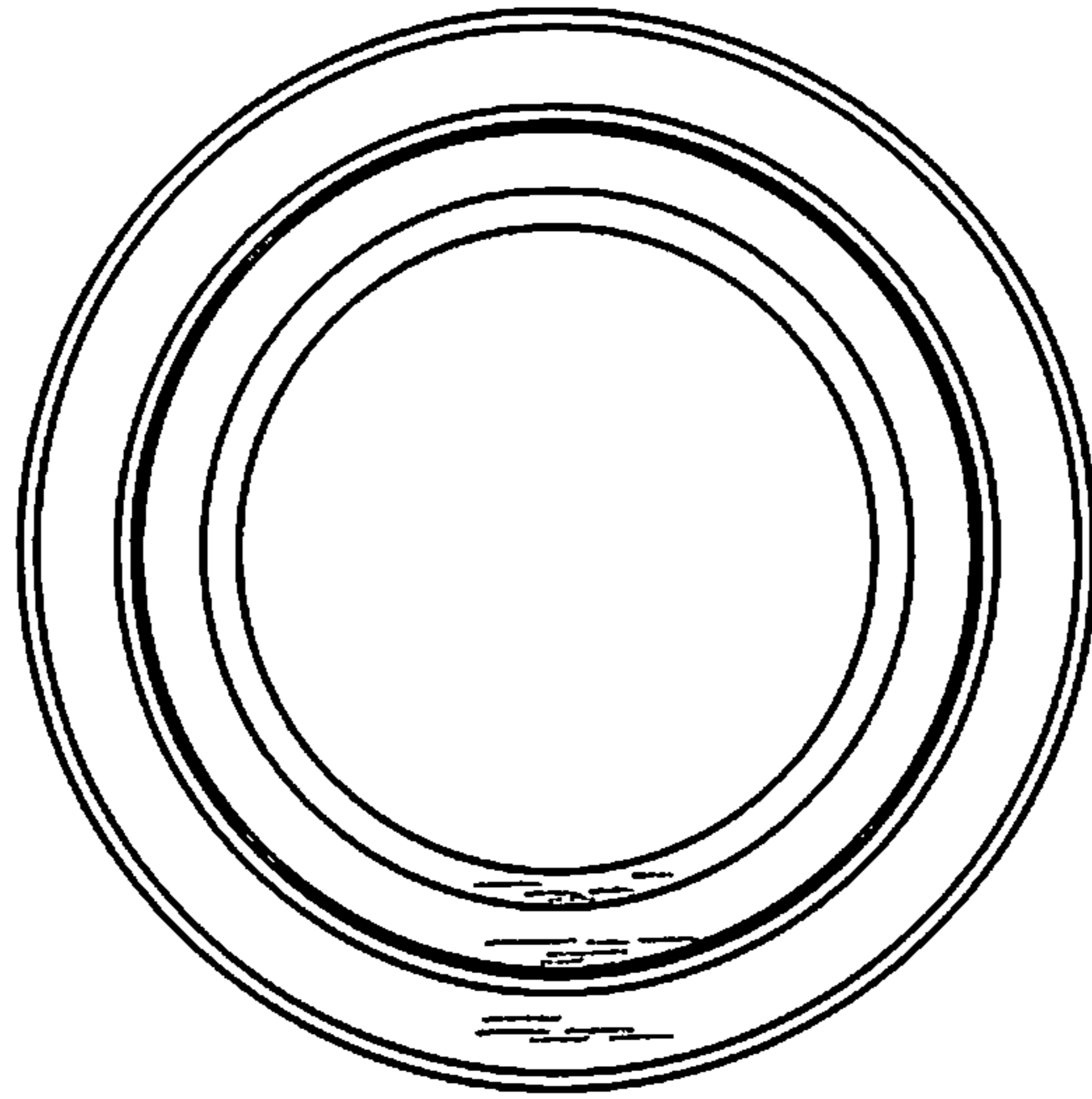


FIG. 6

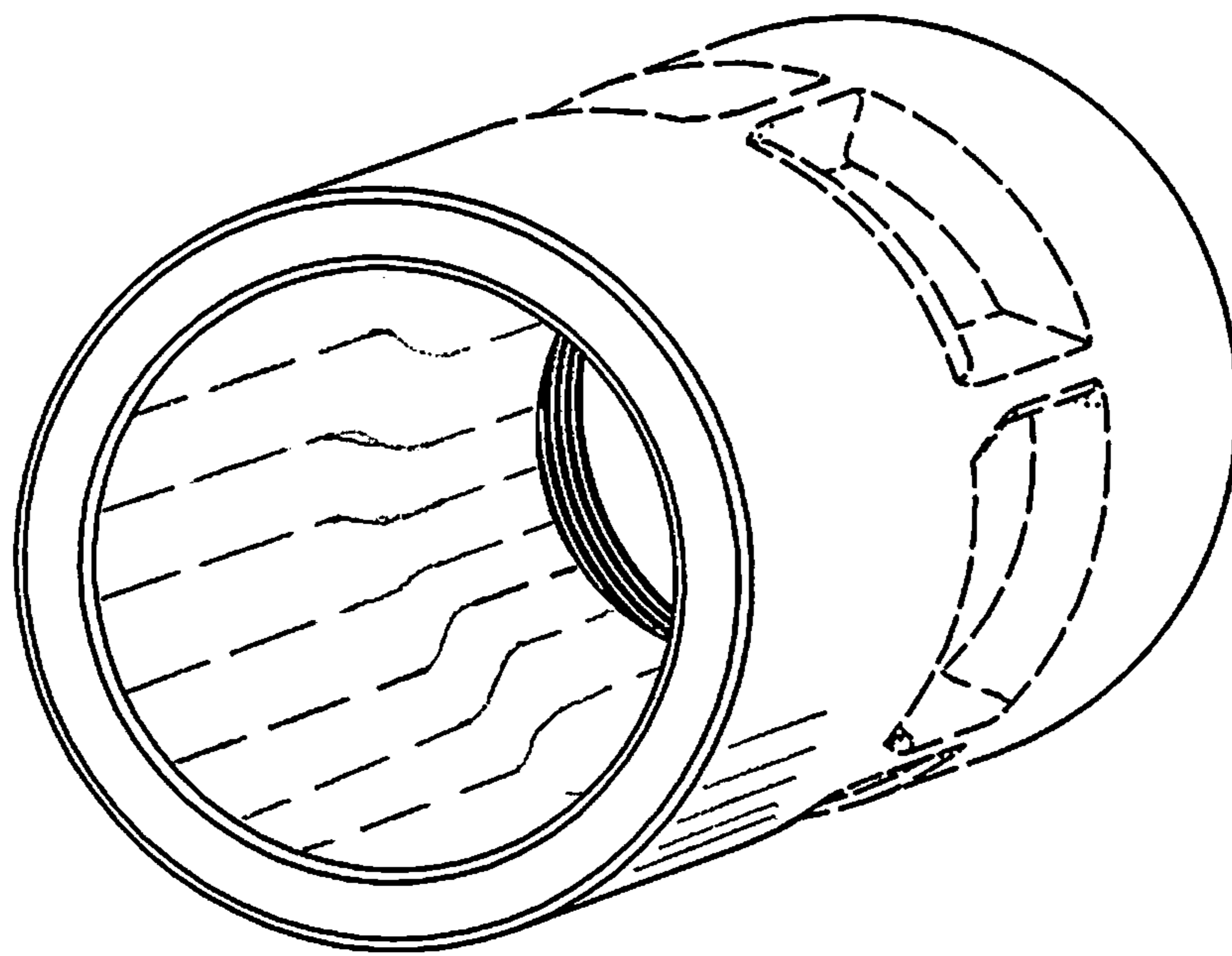


FIG. 7