



US00D960842S

(12) **United States Design Patent** (10) **Patent No.:** **US D960,842 S**
Serum et al. (45) **Date of Patent:** **** Aug. 16, 2022**

(54) **CONDUIT ADAPTER**

(71) Applicant: **Connectum USA, LLC**, Osseo, WI (US)

(72) Inventors: **Jackson Serum**, Mondovi, WI (US); **Dustin Hoffman**, Osseo, WI (US)

(73) Assignee: **Connectum USA, LLC**

(**) Term: **15 Years**

(21) Appl. No.: **29/721,322**

(22) Filed: **Jan. 20, 2020**

Related U.S. Application Data

(63) Continuation of application No. 15/368,163, filed on Dec. 2, 2016, now Pat. No. 10,539,256.

(51) **LOC (13) Cl.** **13-03**

(52) **U.S. Cl.**
USPC **D13/155**

(58) **Field of Classification Search**
USPC D13/133, 151, 154, 155, 156, 149;
D23/262
CPC F16L 15/006; H01R 13/52; H02G 15/013;
H02G 15/14
See application file for complete search history.

(56) **References Cited**

U.S. PATENT DOCUMENTS

2,366,067 A * 12/1944 Smith F16L 37/025
285/107
D397,413 S * 8/1998 Sapp D23/262
D830,312 S * 10/2018 Nguyen D13/154
D830,313 S * 10/2018 Nguyen D13/154

D903,064 S * 11/2020 Mulhern D23/262
D915,300 S * 4/2021 Holton D13/155
D937,392 S * 11/2021 Vaz D23/262
2012/0003869 A1* 1/2012 Ehret H01R 24/40
439/578
2018/0156372 A1* 6/2018 Serum F16L 15/006
2020/0326021 A1* 10/2020 Chen F16L 15/006

* cited by examiner

Primary Examiner — Jennifer O King

(74) *Attorney, Agent, or Firm* — Anthony J. Bourget

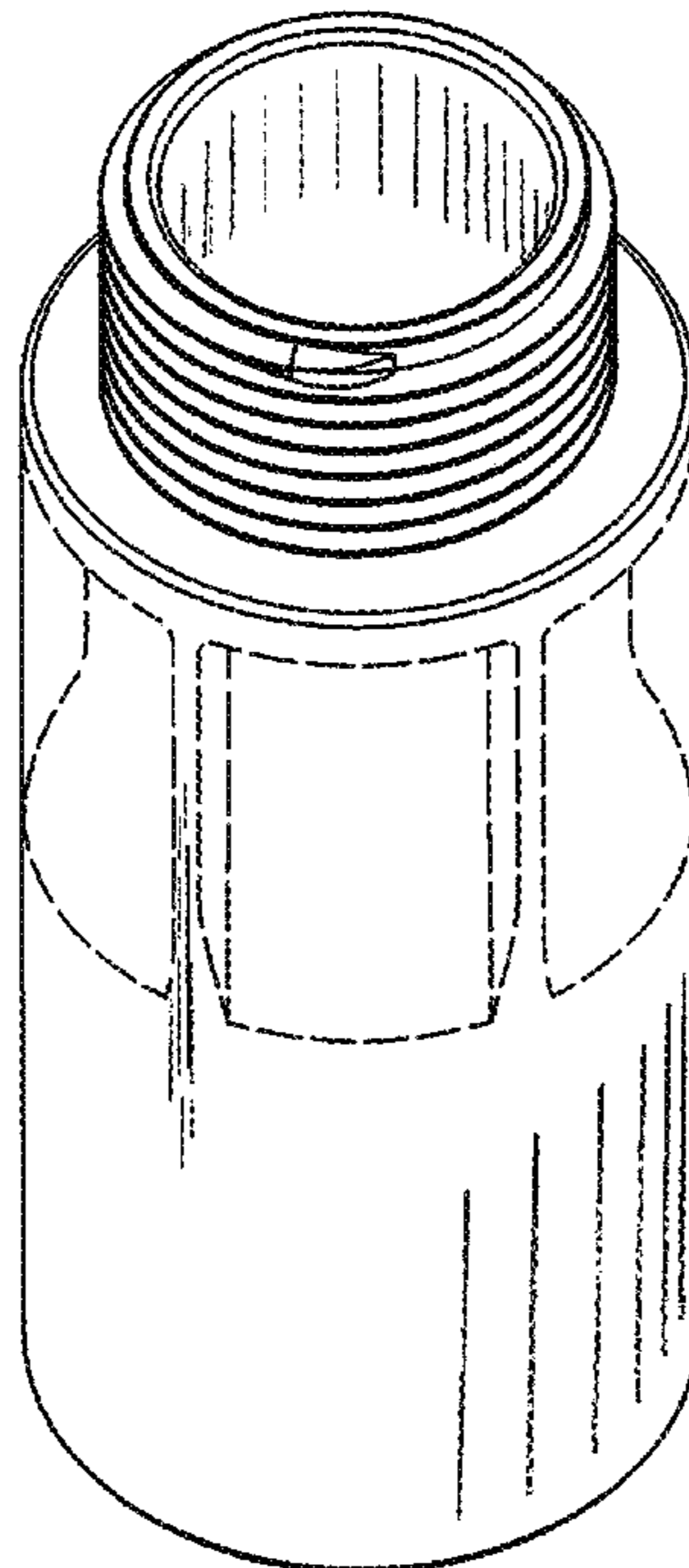
(57) **CLAIM**

The ornamental design for a conduit adapter, as shown and described.

DESCRIPTION

FIG. 1 is a top perspective view of a conduit adapter showing our new design;
FIG. 2 is a bottom perspective view of the conduit adapter of FIG. 1;
FIG. 3 is a front elevational view of the conduit adapter of FIG. 1;
FIG. 4 is a rear elevational view of the conduit adapter of FIG. 1;
FIG. 5 is a left-side elevational view of the conduit adapter of FIG. 1;
FIG. 6 is a right-side elevational view of the conduit adapter of FIG. 1;
FIG. 7 is a top plan view of the conduit adapter of FIG. 1;
FIG. 8 is a bottom plan view of the conduit adapter of FIG. 1; and,
FIG. 9 is a further-angled bottom perspective view of the conduit adapter of FIG. 1.
The evenly spaced broken lines show portion of the conduit adapter that form no part of the claimed design.

1 Claim, 9 Drawing Sheets



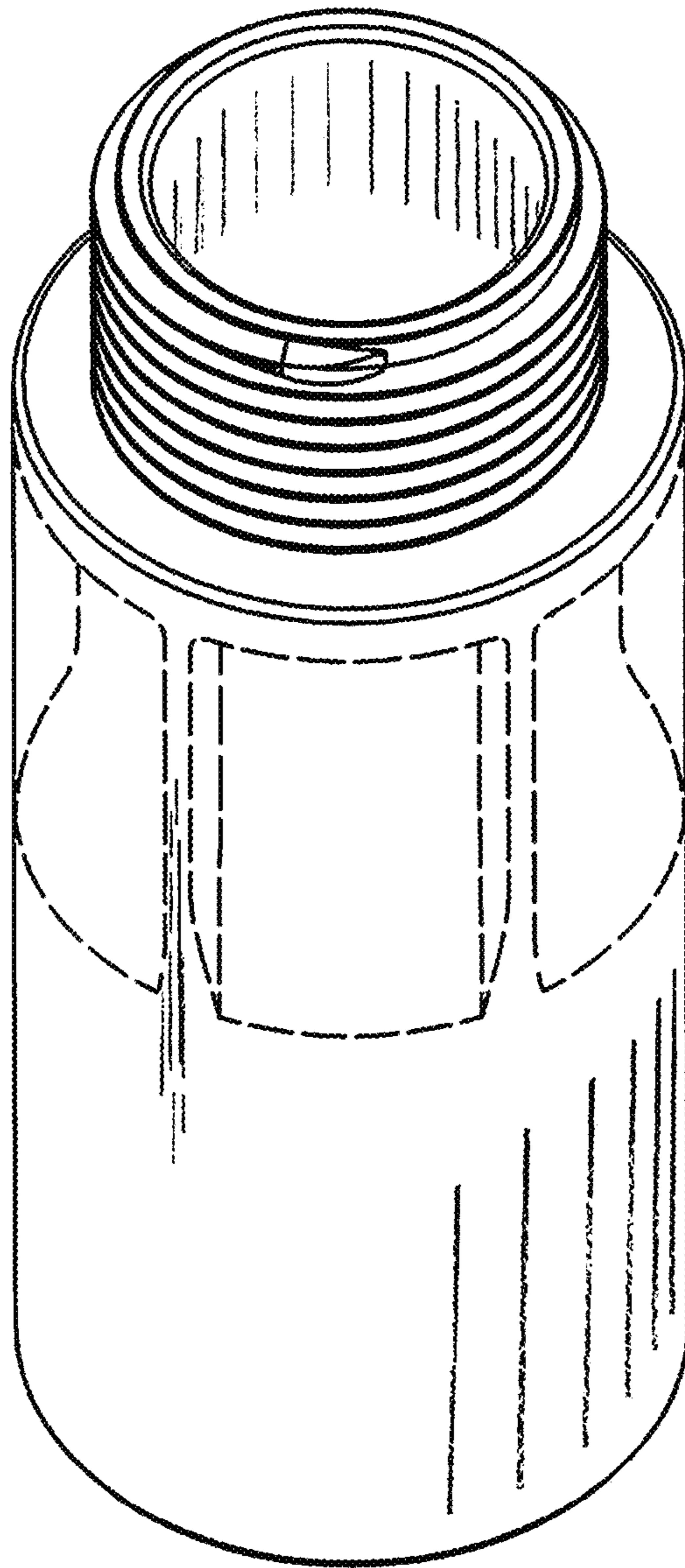


FIG. 1

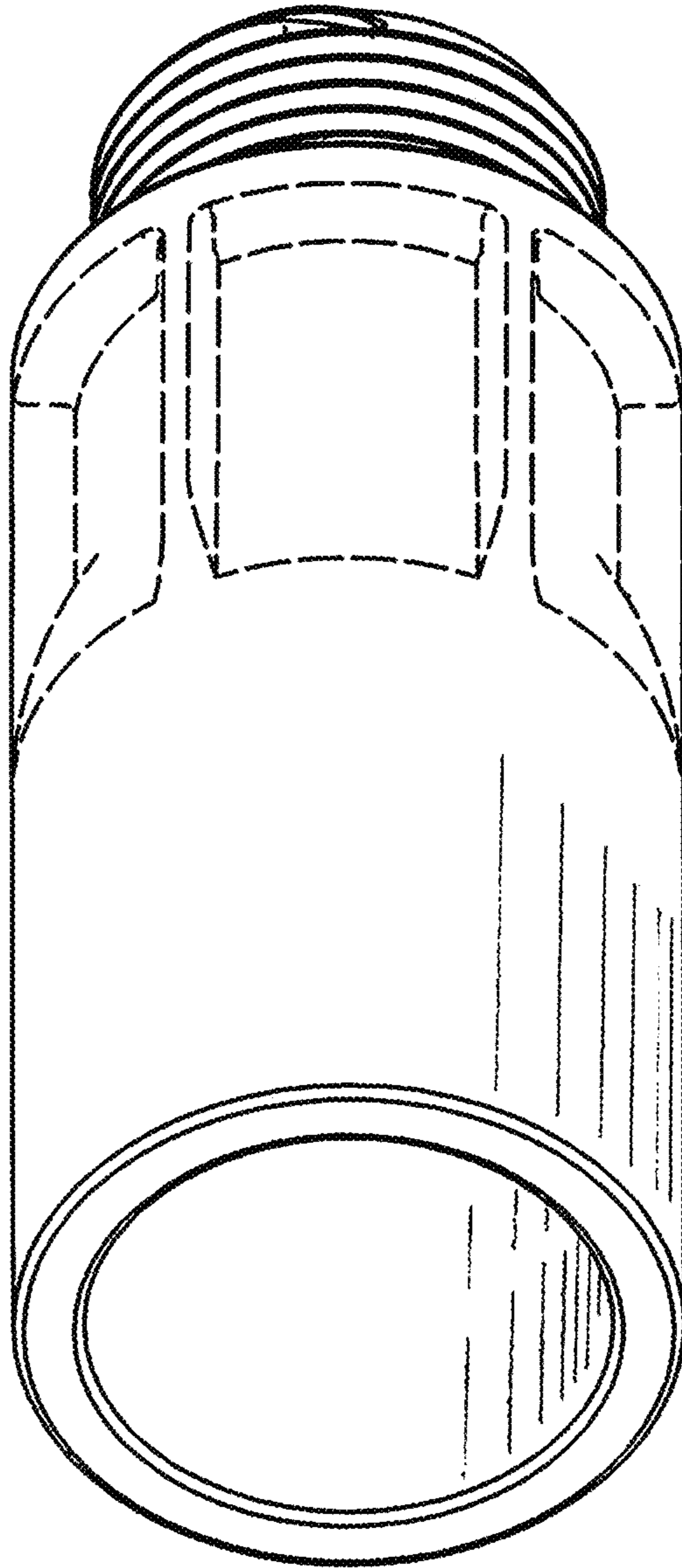


FIG. 2



FIG. 3

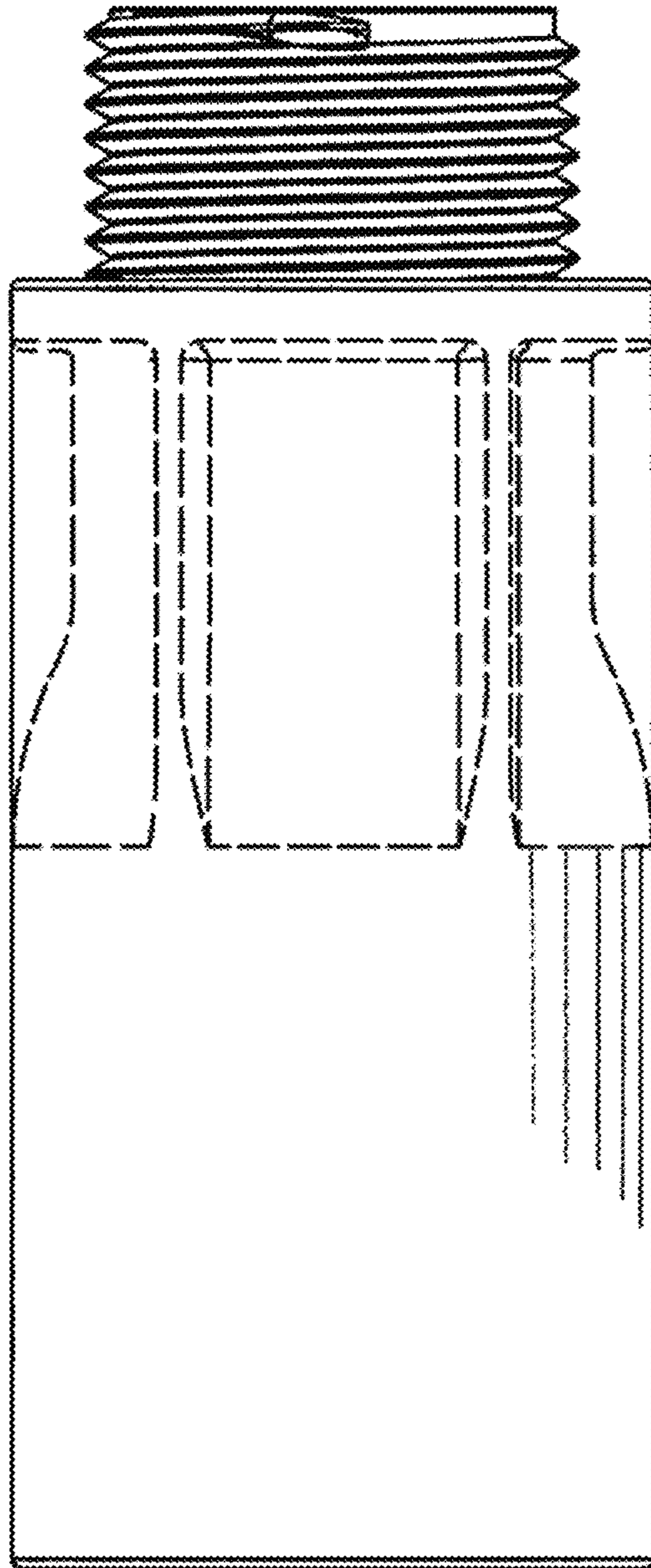


FIG. 4

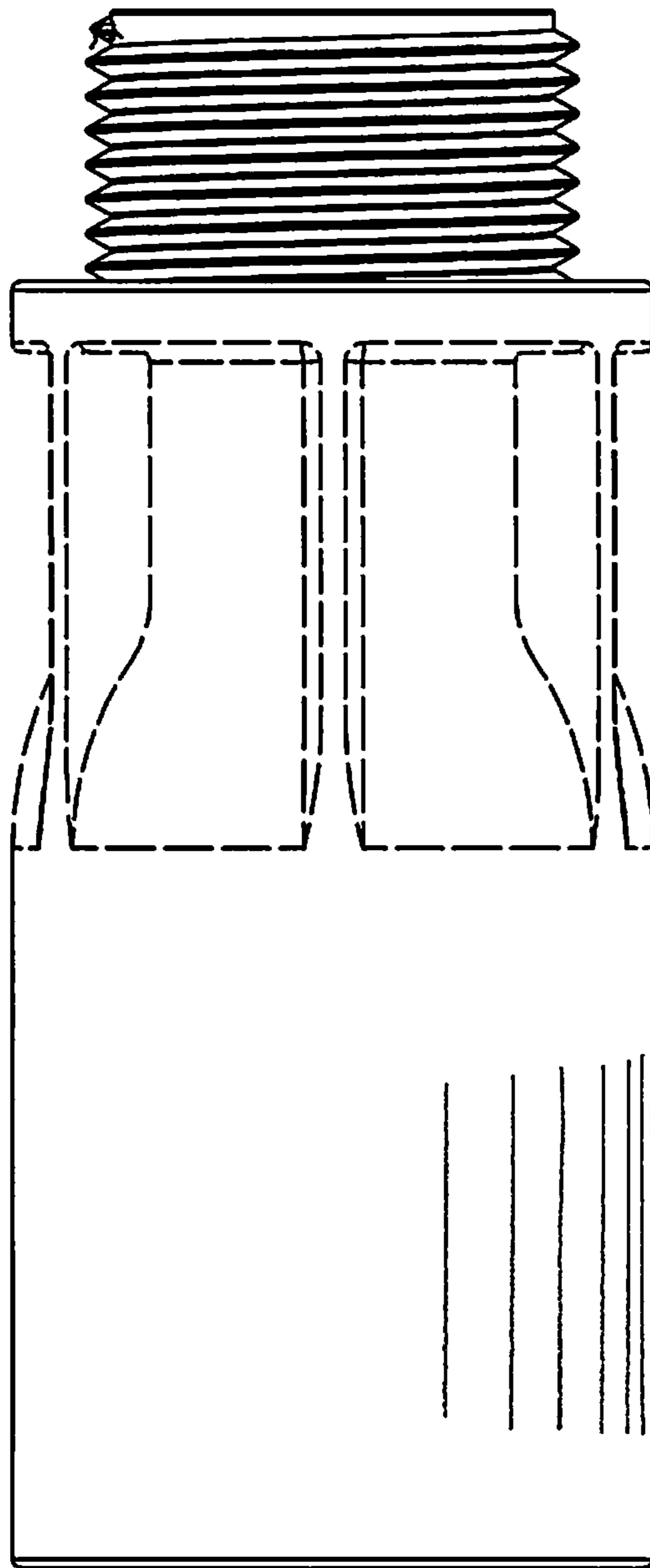


FIG. 5

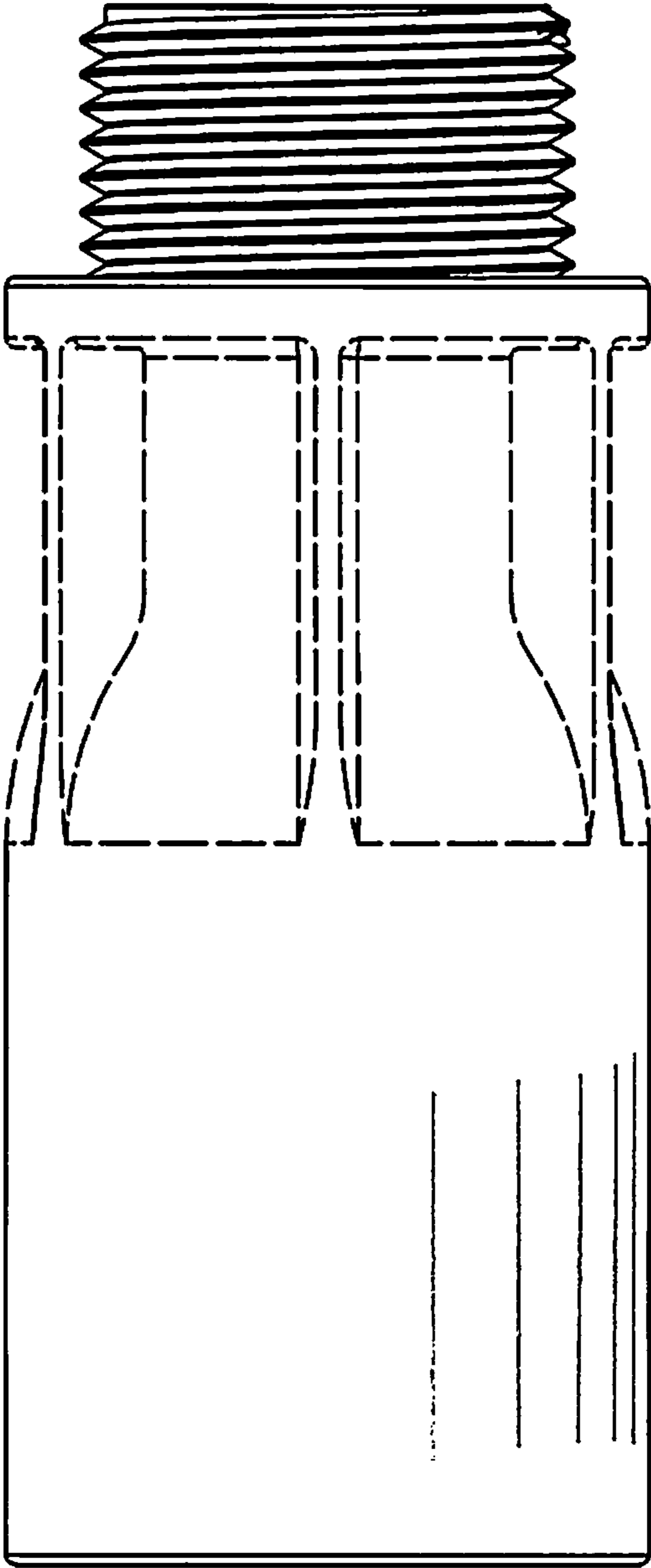


FIG. 6

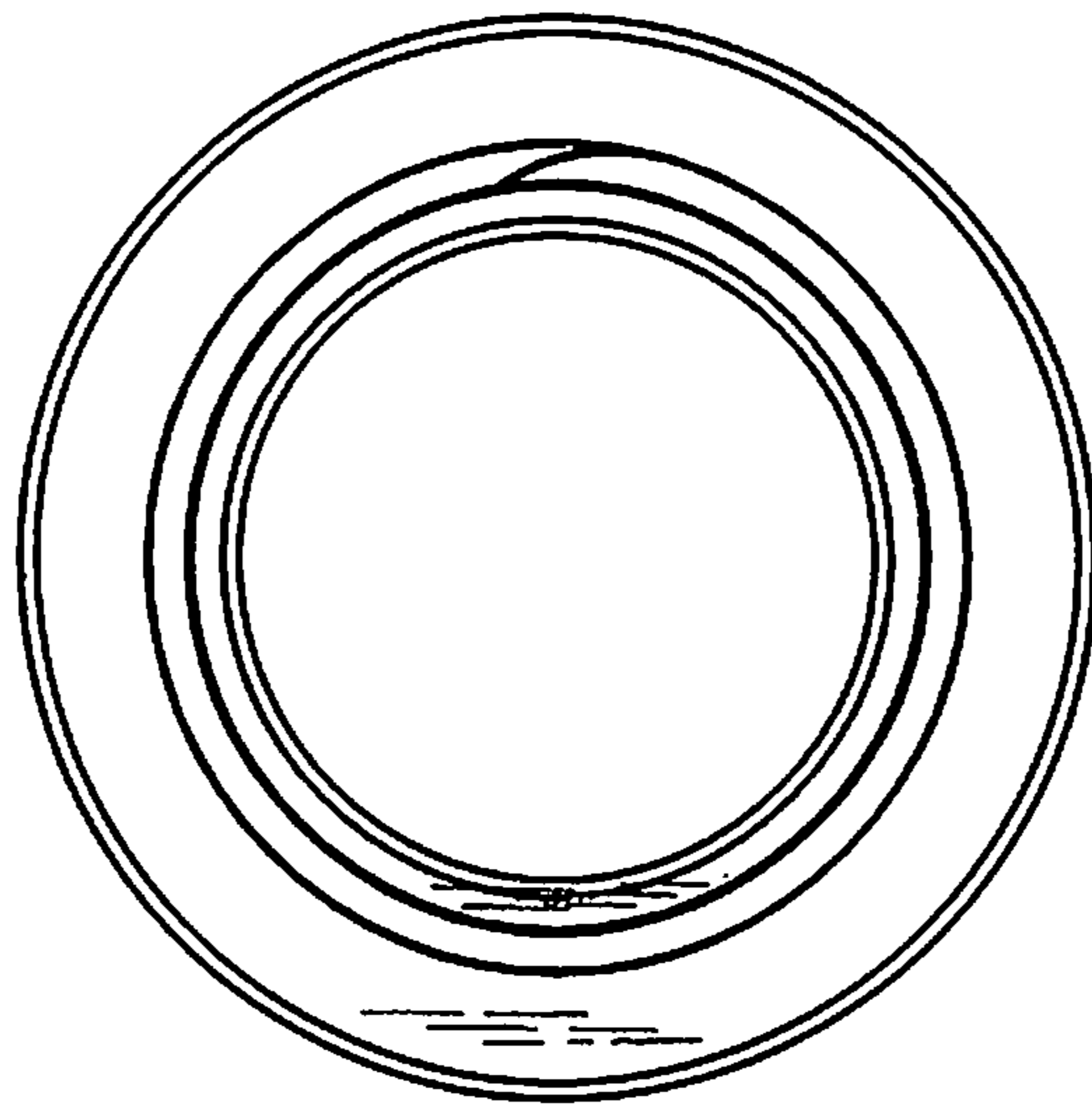


FIG. 7

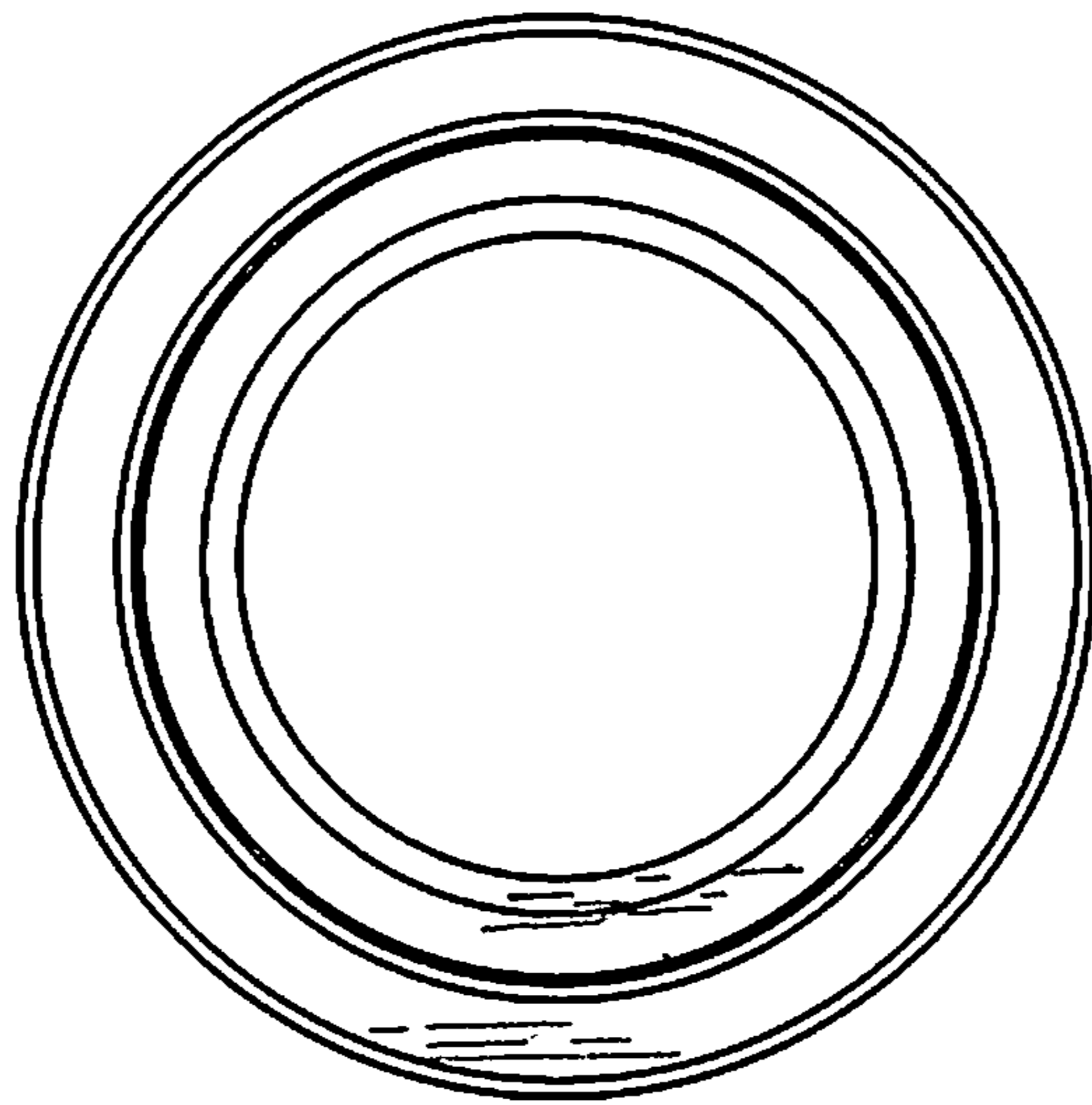


FIG. 8

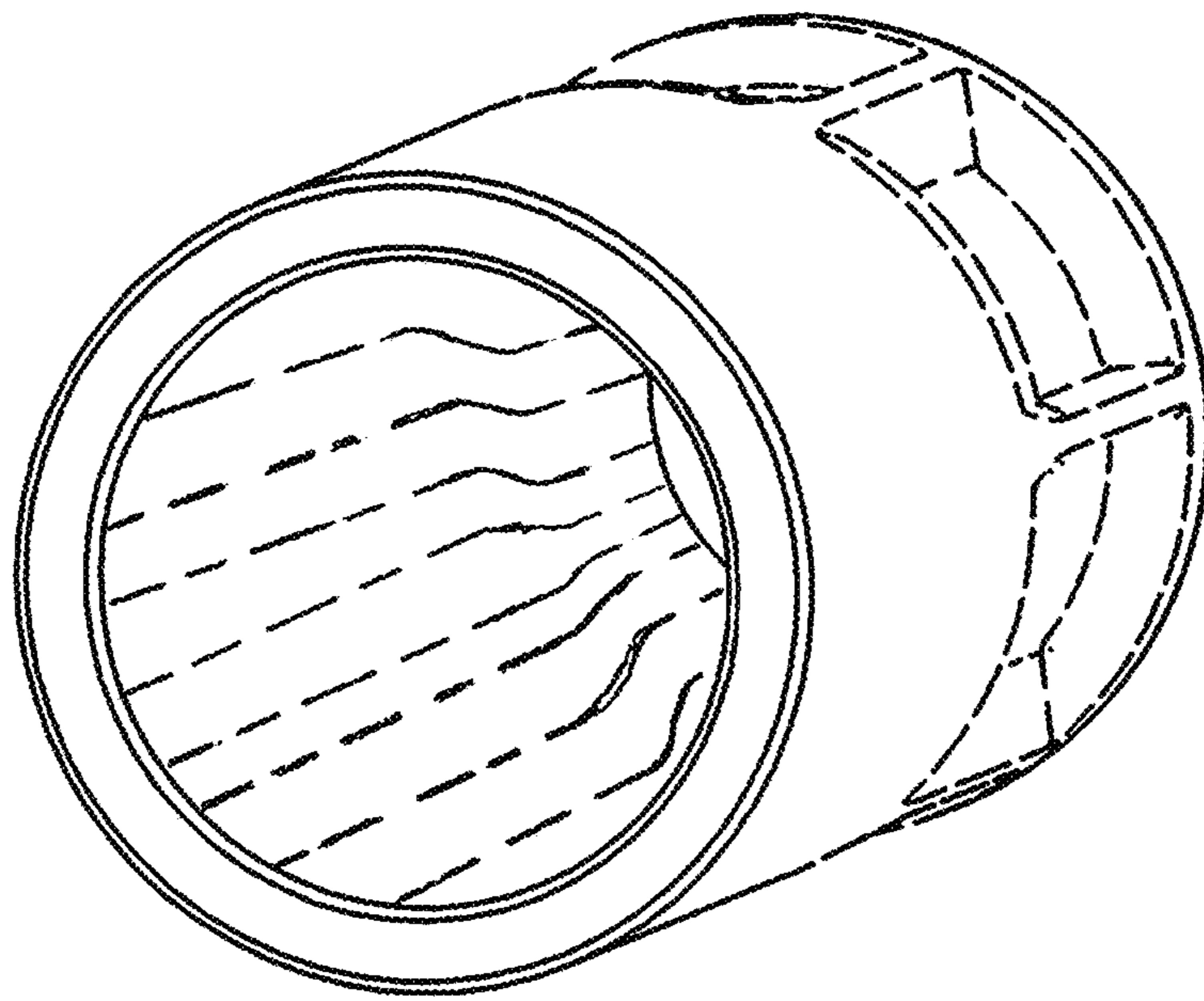


FIG. 9