



US00D960841S

(12) **United States Design Patent**
Kan

(10) **Patent No.:** **US D960,841 S**

(45) **Date of Patent:** **** Aug. 16, 2022**

(54) **COMBINATION CONNECTOR WITH CAP**

(71) Applicant: **Japan Aviation Electronics Industry, Limited**, Tokyo (JP)

(72) Inventor: **Shin Kan**, Tokyo (JP)

(73) Assignee: **JAPAN AVIATION ELECTRONICS INDUSTRY, LIMITED**, Tokyo (JP)

(**) Term: **15 Years**

(21) Appl. No.: **29/765,544**

(22) Filed: **Jan. 8, 2021**

(30) **Foreign Application Priority Data**

Jul. 22, 2020 (JP) 2020-015336 D

(51) **LOC (13) Cl.** **13-03**

(52) **U.S. Cl.**
USPC **D13/147**

(58) **Field of Classification Search**
USPC D13/146, 147, 110, 123, 133, 154, 159,
D13/184, 199

CPC H01R 9/05; H01R 12/04; H01R 12/62;
H01R 12/71; H01R 12/727; H01R
12/728; H01R 12/7076; H01R 12/7082;
H01R 13/05; H01R 13/20; H01R 13/24;
H01R 13/501; H01R 13/514

See application file for complete search history.

(56) **References Cited**

U.S. PATENT DOCUMENTS

10,236,617 B2 * 3/2019 Hsu H01R 13/514
10,992,094 B1 * 4/2021 Thiel H01R 13/629

D929,344 S * 8/2021 Oosaka D13/147
D929,345 S * 8/2021 Oosaka D13/147
D936,602 S * 11/2021 Oosaka D13/147
D936,603 S * 11/2021 Oosaka D13/147
2018/0358734 A1 * 12/2018 Hsu H01R 12/716

* cited by examiner

Primary Examiner — Bridget L Eland

(74) *Attorney, Agent, or Firm* — Manabu Kanesaka

(57) **CLAIM**

The ornamental design for a combination connector with cap, as shown and described.

DESCRIPTION

FIG. 1 is a front elevational view of a combination connector with cap showing my new design;

FIG. 2 is a rear elevational view thereof;

FIG. 3 is a right side elevational view thereof;

FIG. 4 is a left side elevational view thereof;

FIG. 5 is a top plan view thereof;

FIG. 6 is a bottom plan view thereof;

FIG. 7 is a perspective view showing a front, top and right side thereof;

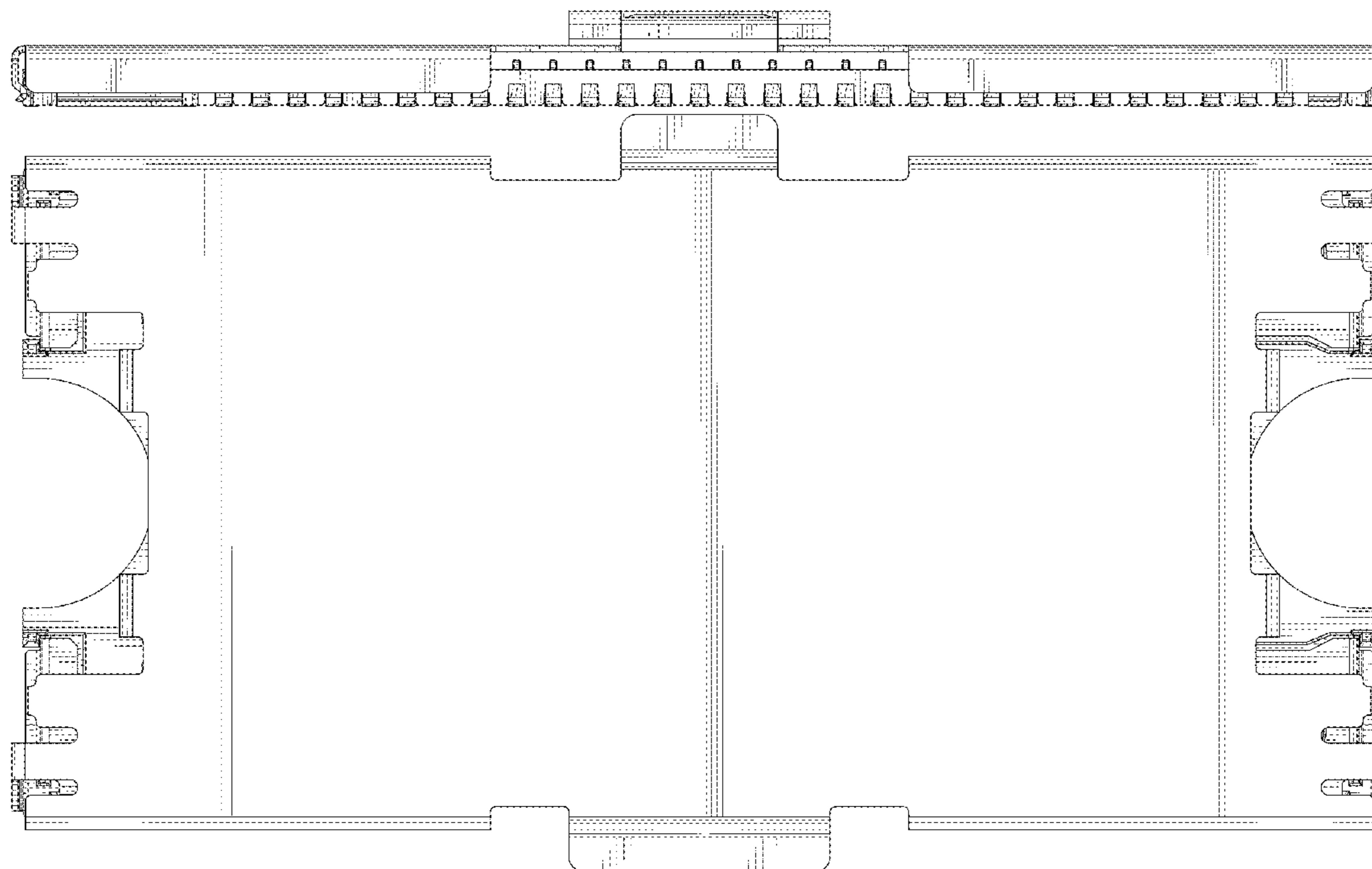
FIG. 8 is a perspective view showing a rear, bottom and left side thereof;

FIG. 9 is a perspective view showing a front, right and bottom side thereof; and,

FIG. 10 is a perspective view showing a rear, left and top side thereof.

The broken lines in the drawings show portions of the combination connector with cap that form no part of the claimed design.

1 Claim, 8 Drawing Sheets



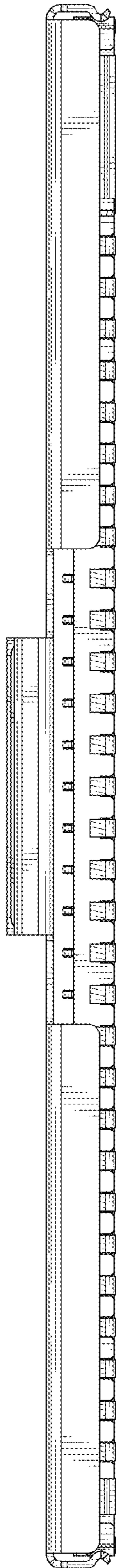


FIG. 1

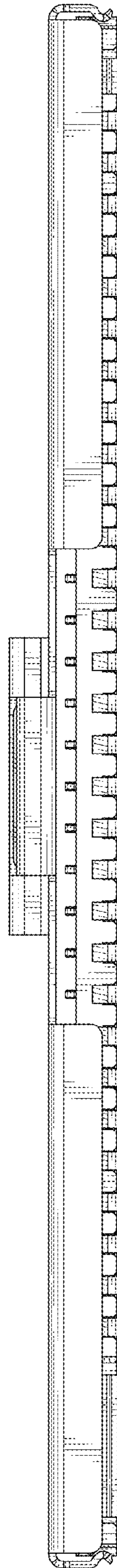


FIG. 2

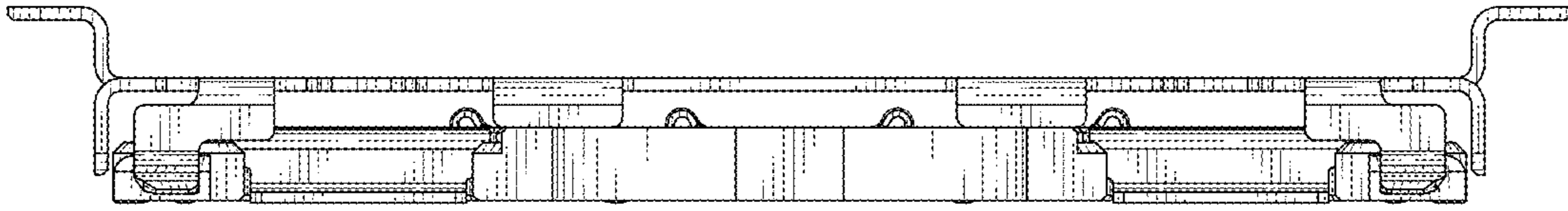


FIG. 3

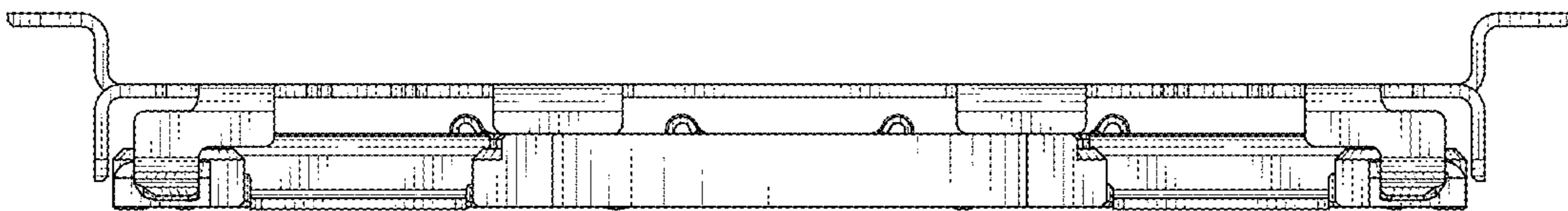


FIG. 4

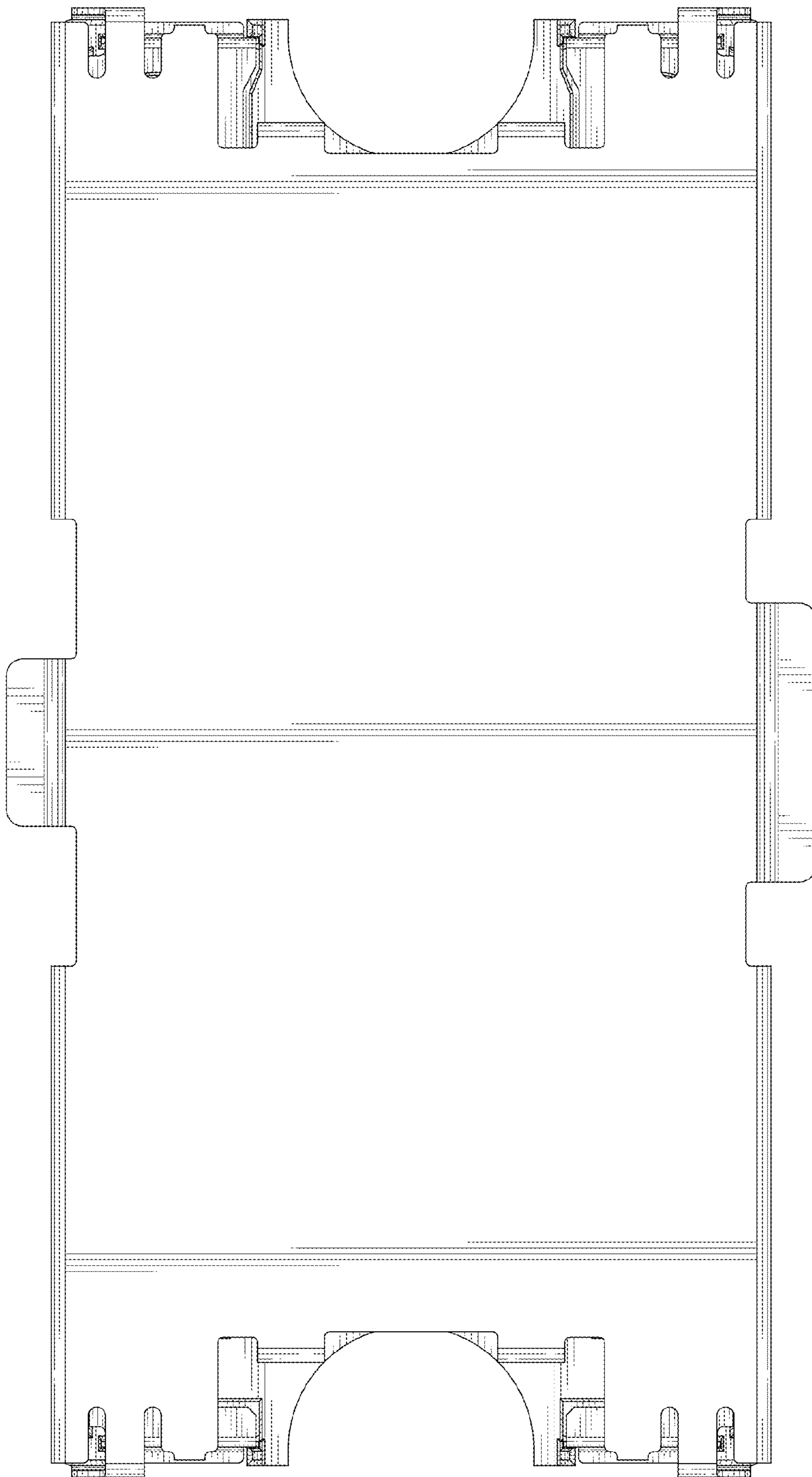


FIG. 5

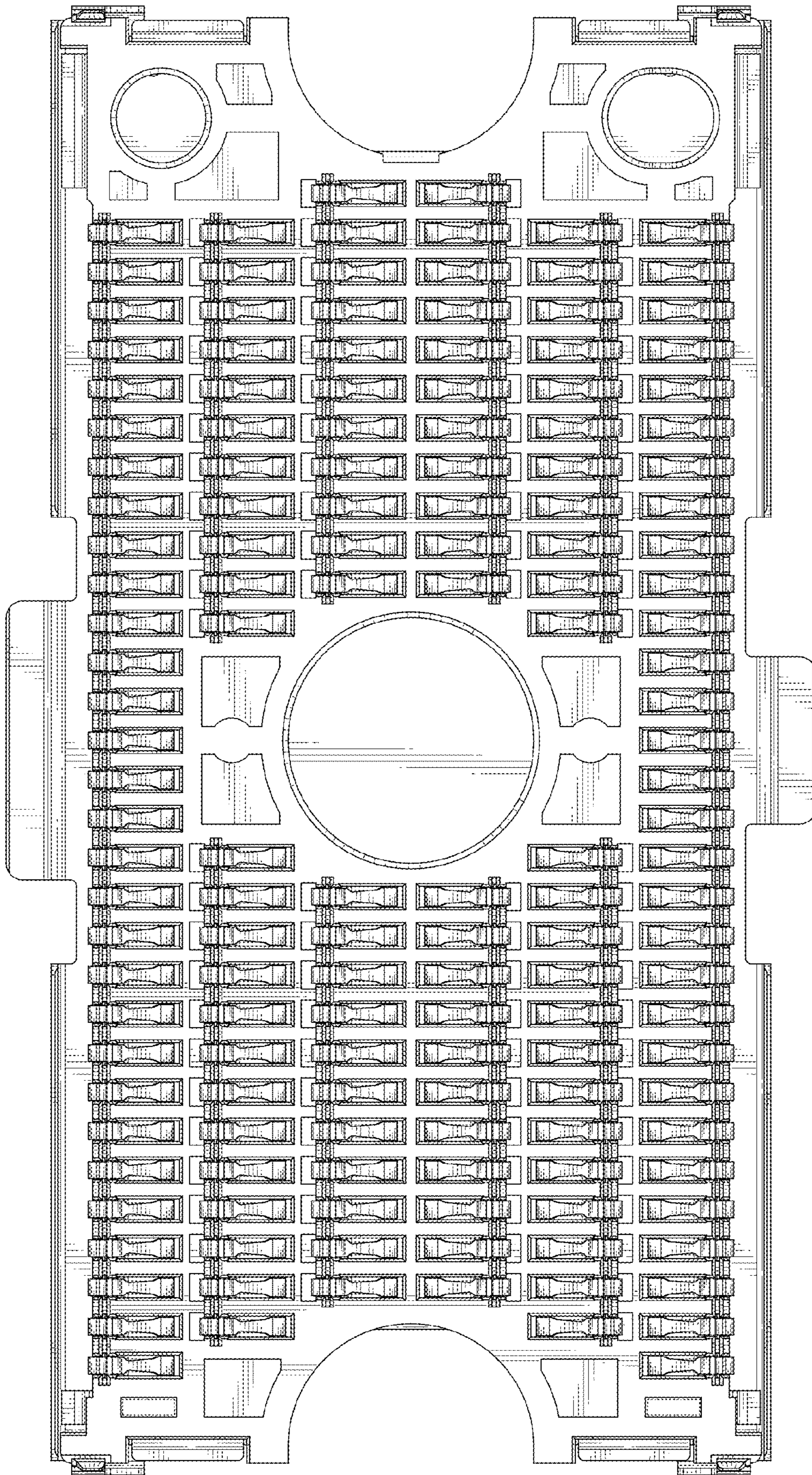


FIG. 6

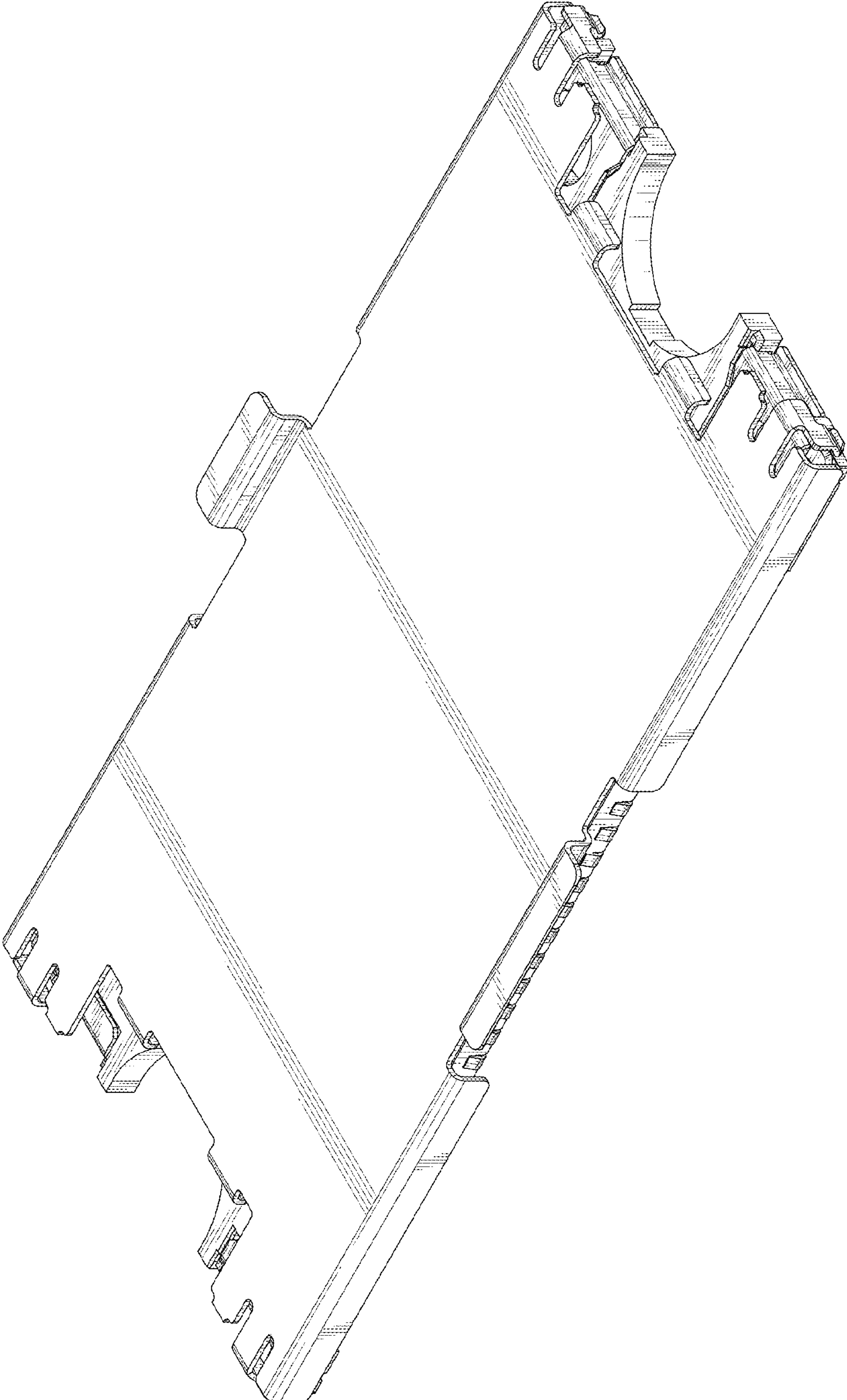


FIG. 7

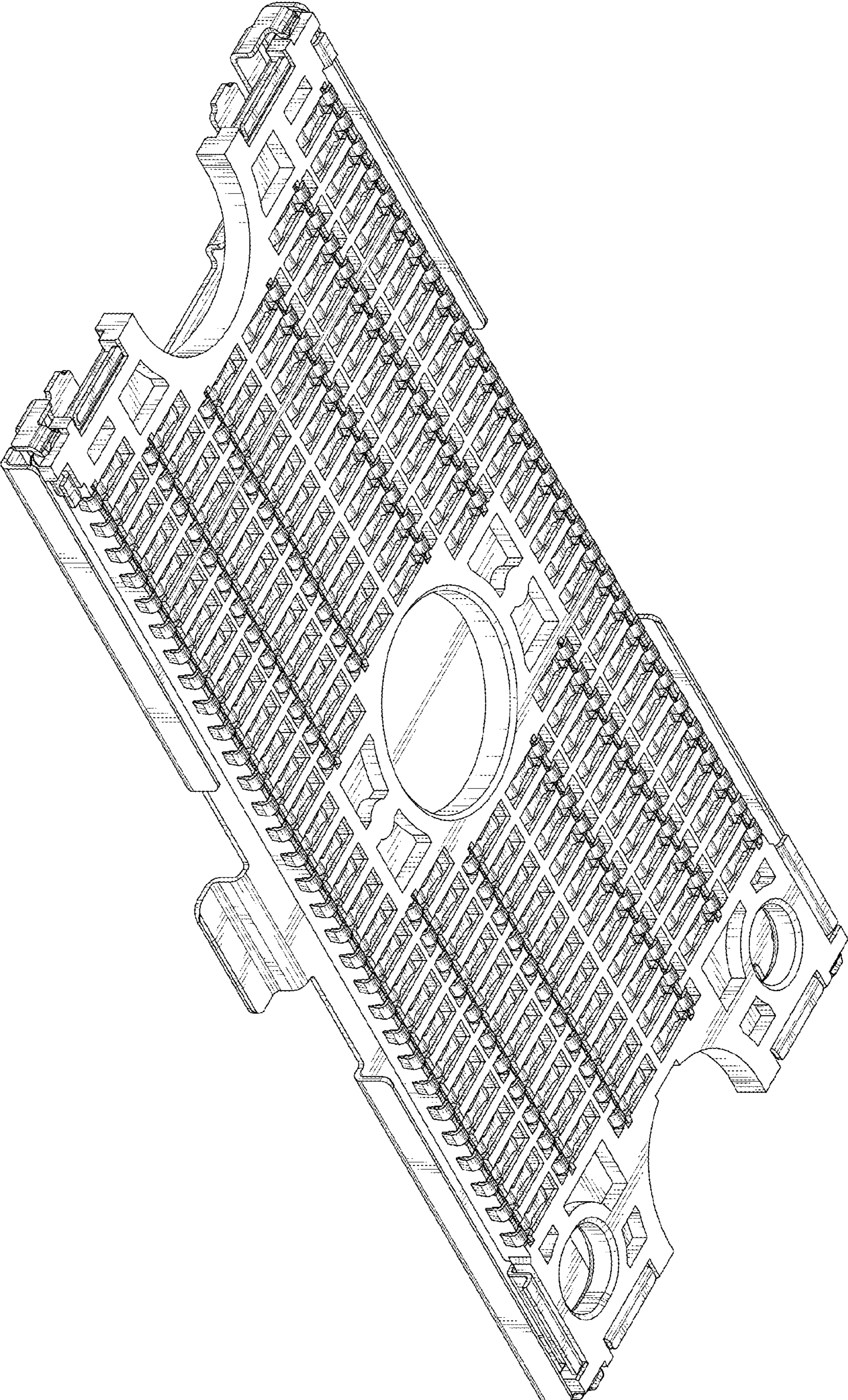


FIG. 8

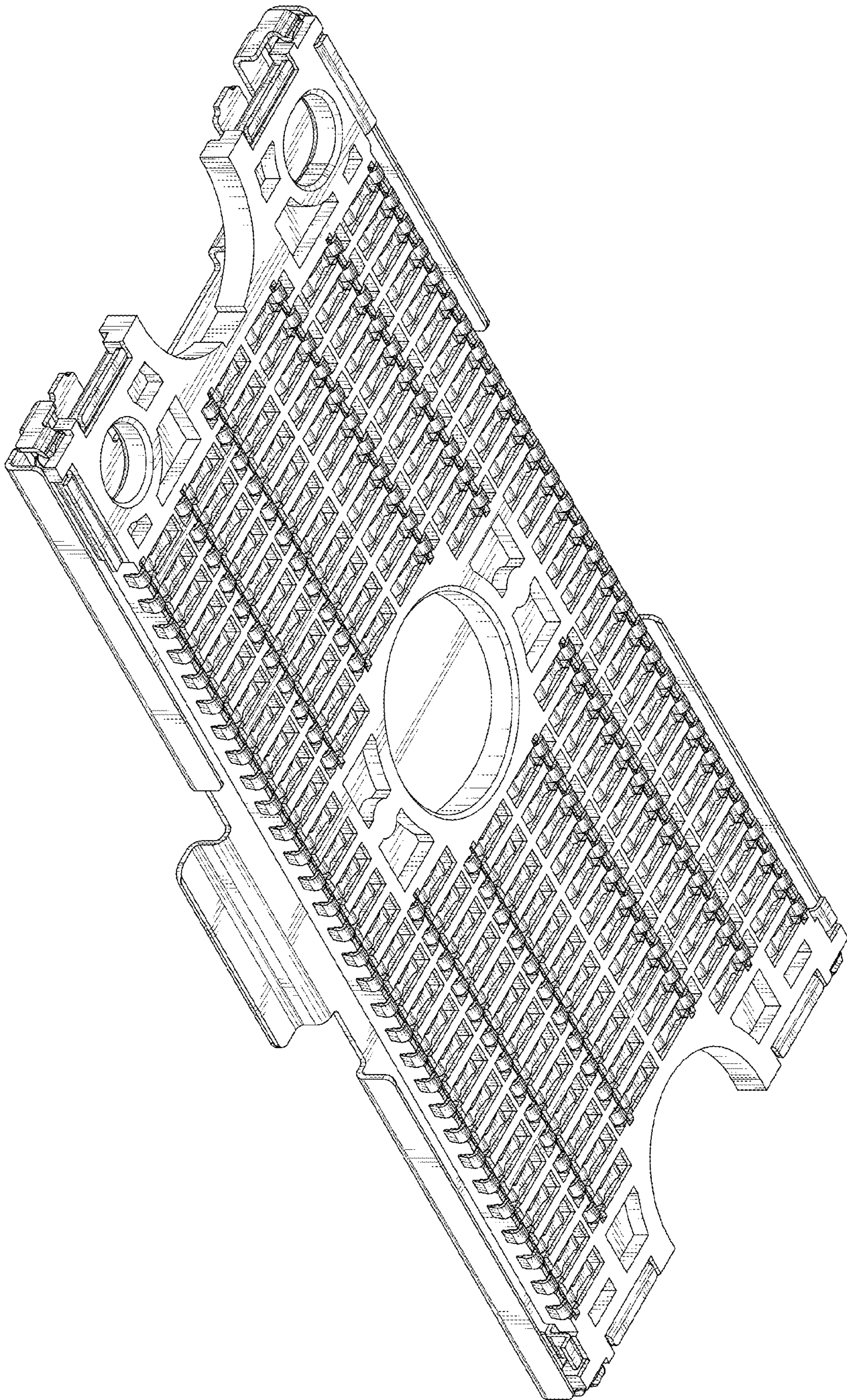


FIG. 9

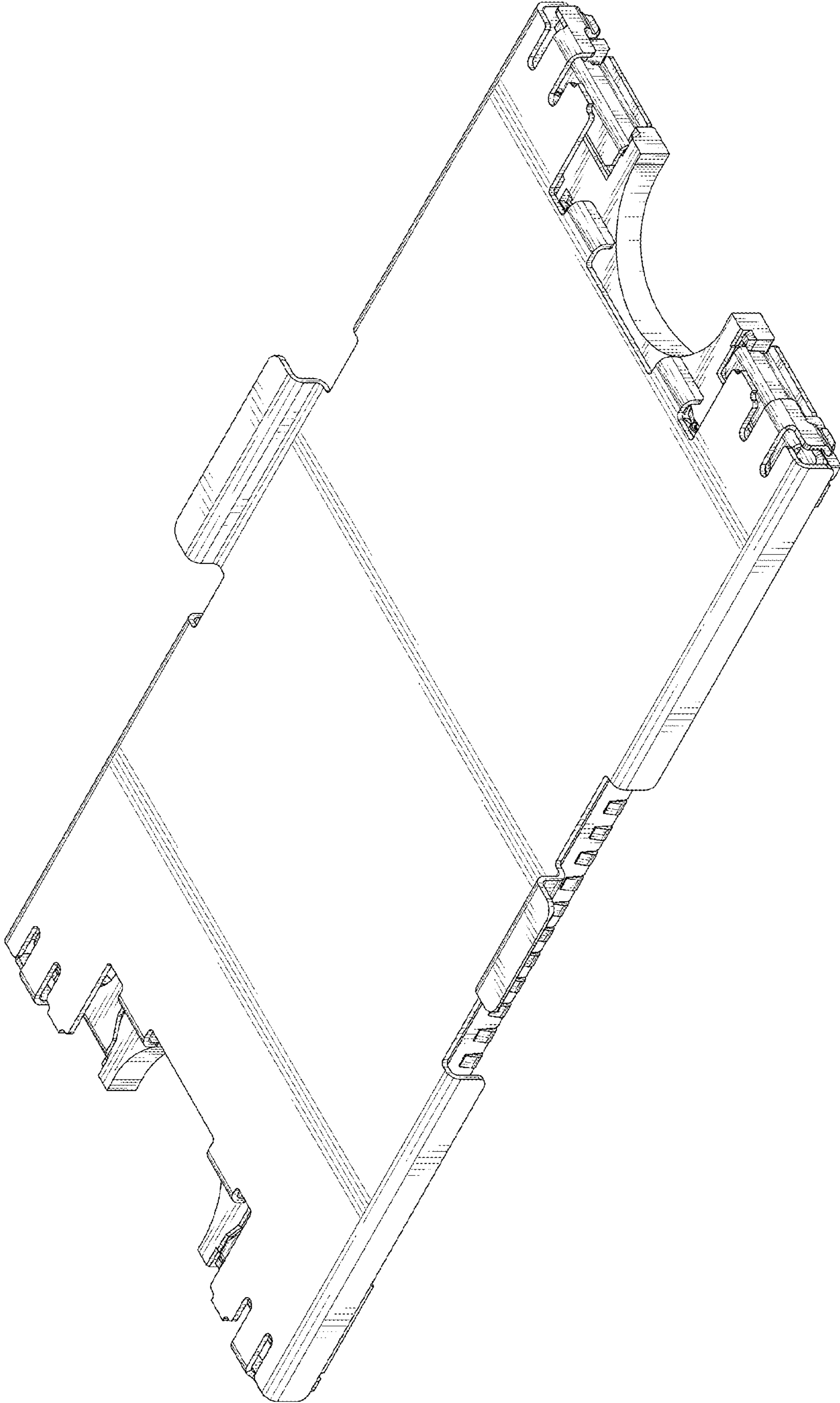


FIG. 10