

US00D960839S

(12) **United States Design Patent** (10) **Patent No.:** **US D960,839 S**
Niederl (45) **Date of Patent:** **** Aug. 16, 2022**

(54) **ELECTRICAL CONNECTOR**

(71) Applicant: **Dietmar Niederl, Jagerberg (AT)**

(72) Inventor: **Dietmar Niederl, Jagerberg (AT)**

(**) Term: **15 Years**

(21) Appl. No.: **29/645,649**

(22) Filed: **Apr. 27, 2018**

(30) **Foreign Application Priority Data**

Oct. 31, 2017	(EM)	004428084-0001
Oct. 31, 2017	(EM)	004428084-0002
Oct. 31, 2017	(EM)	004428084-0003
Oct. 31, 2017	(EM)	004428084-0004
Oct. 31, 2017	(EM)	004428084-0005
Oct. 31, 2017	(EM)	004428084-0006
Oct. 31, 2017	(EM)	004428084-0007
Oct. 31, 2017	(EM)	004428084-0008
Oct. 31, 2017	(EM)	004428084-0009
Oct. 31, 2017	(EM)	004428084-0010

(51) **LOC (13) Cl.** **13-03**

(52) **U.S. Cl.**
USPC **D13/146**

(58) **Field of Classification Search**
USPC D13/118, 123, 133, 146, 147, 153, 154,
D13/156, 173, 184, 199
CPC B60L 11/18; B60L 53/16; B60L 53/18;
B60L 53/30; H01R 13/00; H01R 13/44;
H01R 13/52; H01R 13/62; H01R 13/627;
H01R 13/629; H01R 13/6348; H01R
24/00

See application file for complete search history.

(56) **References Cited**

U.S. PATENT DOCUMENTS

2,962,688 A *	11/1960	Werner	H01R 13/5219
				439/320
D527,346 S *	8/2006	Brodin	D13/146

D602,433 S *	10/2009	Katou	D13/120
D615,496 S *	5/2010	Mennekes	D13/147
D649,938 S *	12/2011	Erickson	D13/147
D649,939 S *	12/2011	Erickson	D13/147
D698,731 S *	2/2014	Muller	D13/147
D700,143 S *	2/2014	Ichio	D13/146
D770,386 S *	11/2016	Corona	D13/146
D780,123 S *	2/2017	Zetterqvist	D13/146
D794,104 S *	8/2017	Zou	D15/146
D813,821 S *	3/2018	Corona	D13/147
D813,822 S *	3/2018	Corona	D13/147
D816,040 S *	4/2018	Corona	D13/146
9,985,384 B1 *	5/2018	Johnson	H01R 24/86
D824,857 S *	8/2018	Vogel	D13/146
D838,672 S *	1/2019	Spielvogel	D13/146
D881,131 S *	4/2020	Tovey	D13/146
10,622,762 B1 *	4/2020	McKee	H01R 13/506
D894,131 S *	8/2020	Biere	D13/146

(Continued)

Primary Examiner — Shawn T Gingrich
(74) *Attorney, Agent, or Firm* — Greenblum & Bernstein,
P.L.C.

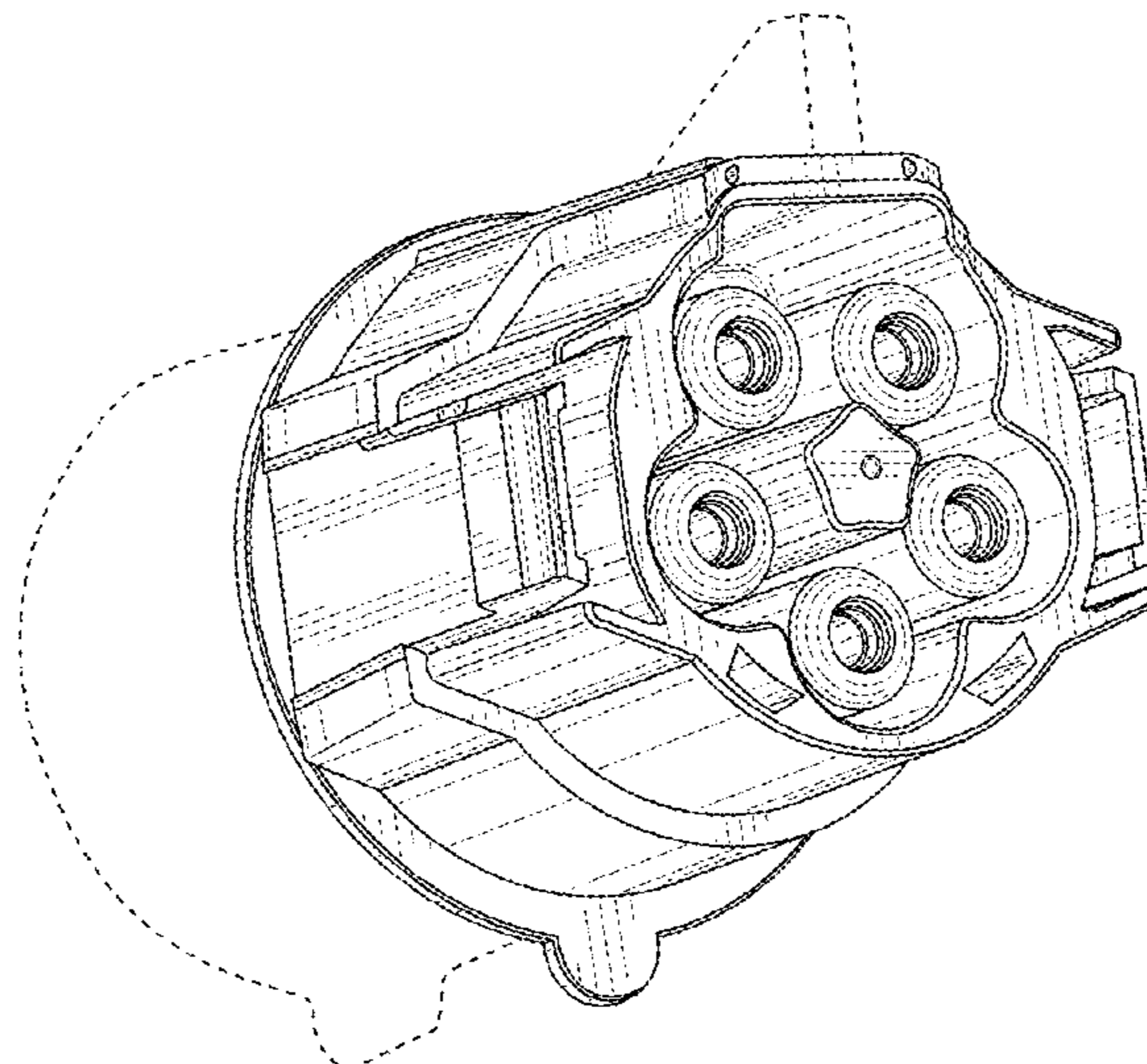
(57) **CLAIM**

I claim the ornamental design for an electrical connector, as shown and described.

DESCRIPTION

FIG. 1 shows a bottom, left side perspective view of an electrical connector;
FIG. 2 shows a rear view of FIG. 1;
FIG. 3 shows a left side view of FIG. 1;
FIG. 4 shows a front side view of FIG. 1;
FIG. 5 shows a bottom side view of FIG. 1;
FIG. 6 shows a right side view of FIG. 1; and,
FIG. 7 shows a top side view of FIG. 1.
The broken lines in the drawings illustrate portions of the electrical connector that form no part of the claimed design.

1 Claim, 7 Drawing Sheets



(56)

References Cited

U.S. PATENT DOCUMENTS

2008/0194137 A1* 8/2008 Kuo H01R 13/5219
439/489
2011/0065305 A1* 3/2011 Amit H01R 13/5829
439/368
2014/0256172 A1* 9/2014 Kakizaki B60L 53/16
439/350
2016/0118744 A1* 4/2016 Wittrock H01R 13/5227
439/191
2020/0282849 A1* 9/2020 Niederl B60L 53/14
2021/0063097 A1* 3/2021 Hitchcock F28F 9/0253
2021/0206280 A1* 7/2021 Fuhrer B60L 53/32
2021/0344136 A1* 11/2021 Kanamori H01R 13/506
2021/0347270 A1* 11/2021 Cole B60L 53/18

* cited by examiner

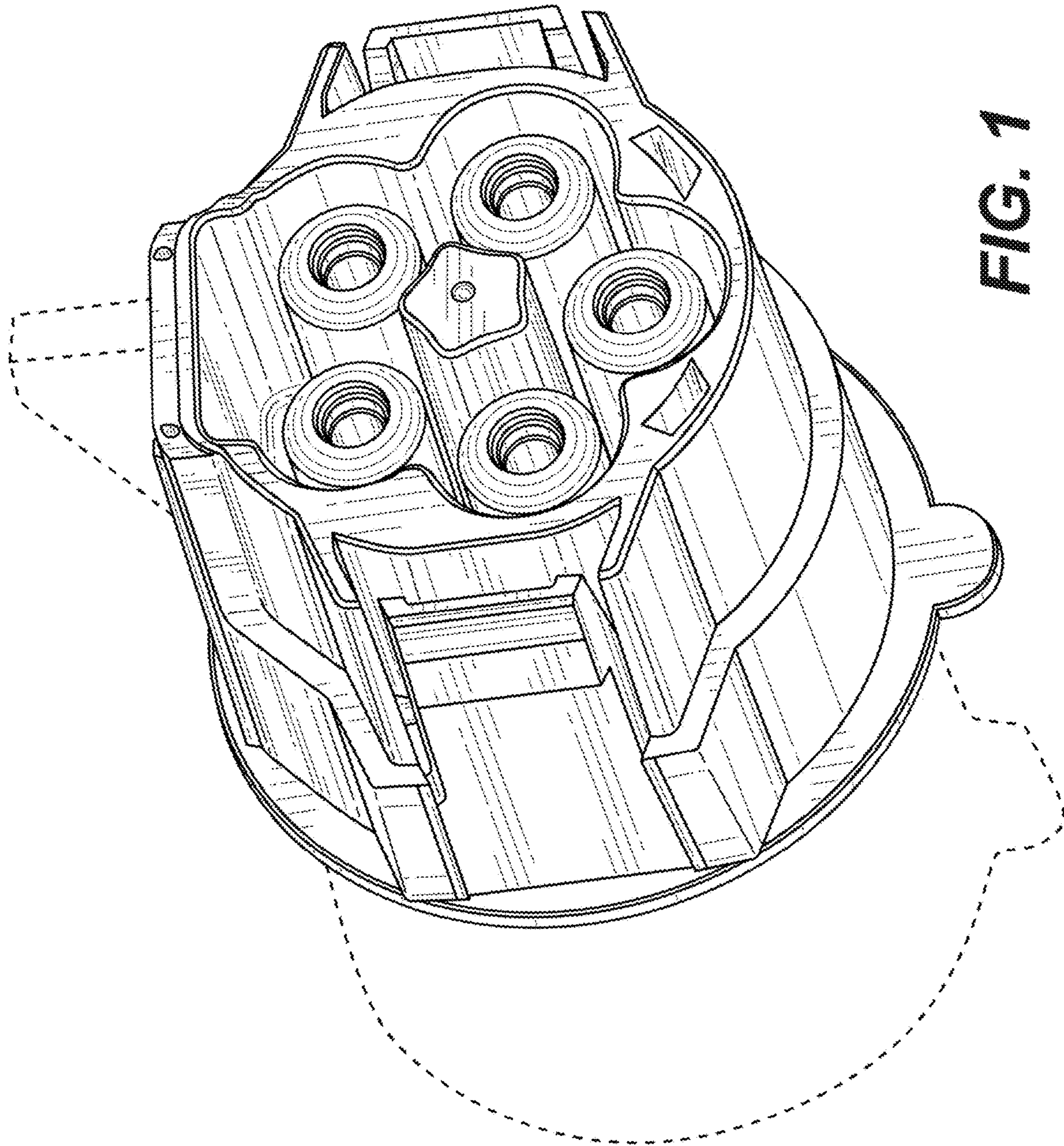


FIG. 1

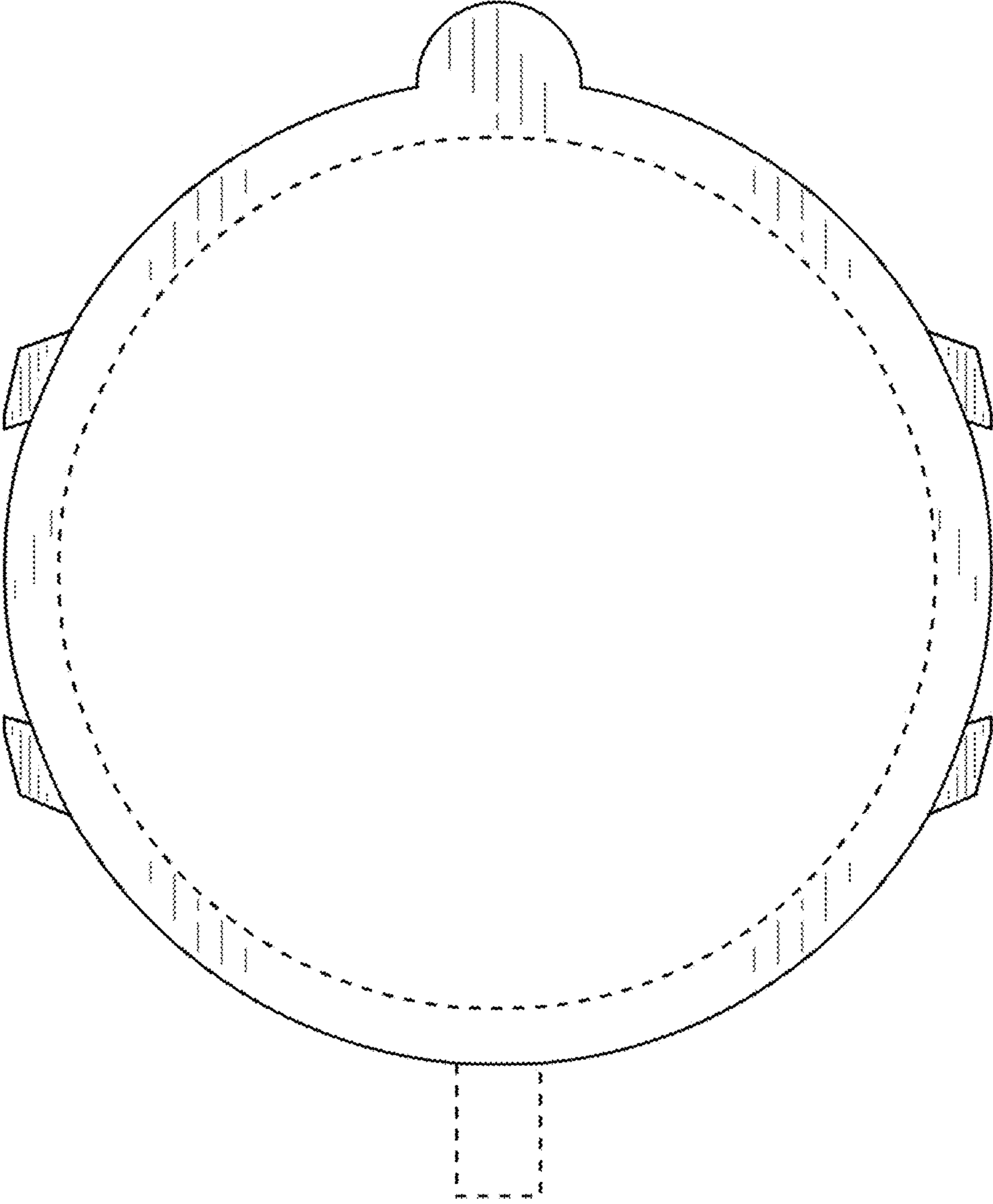


FIG. 2

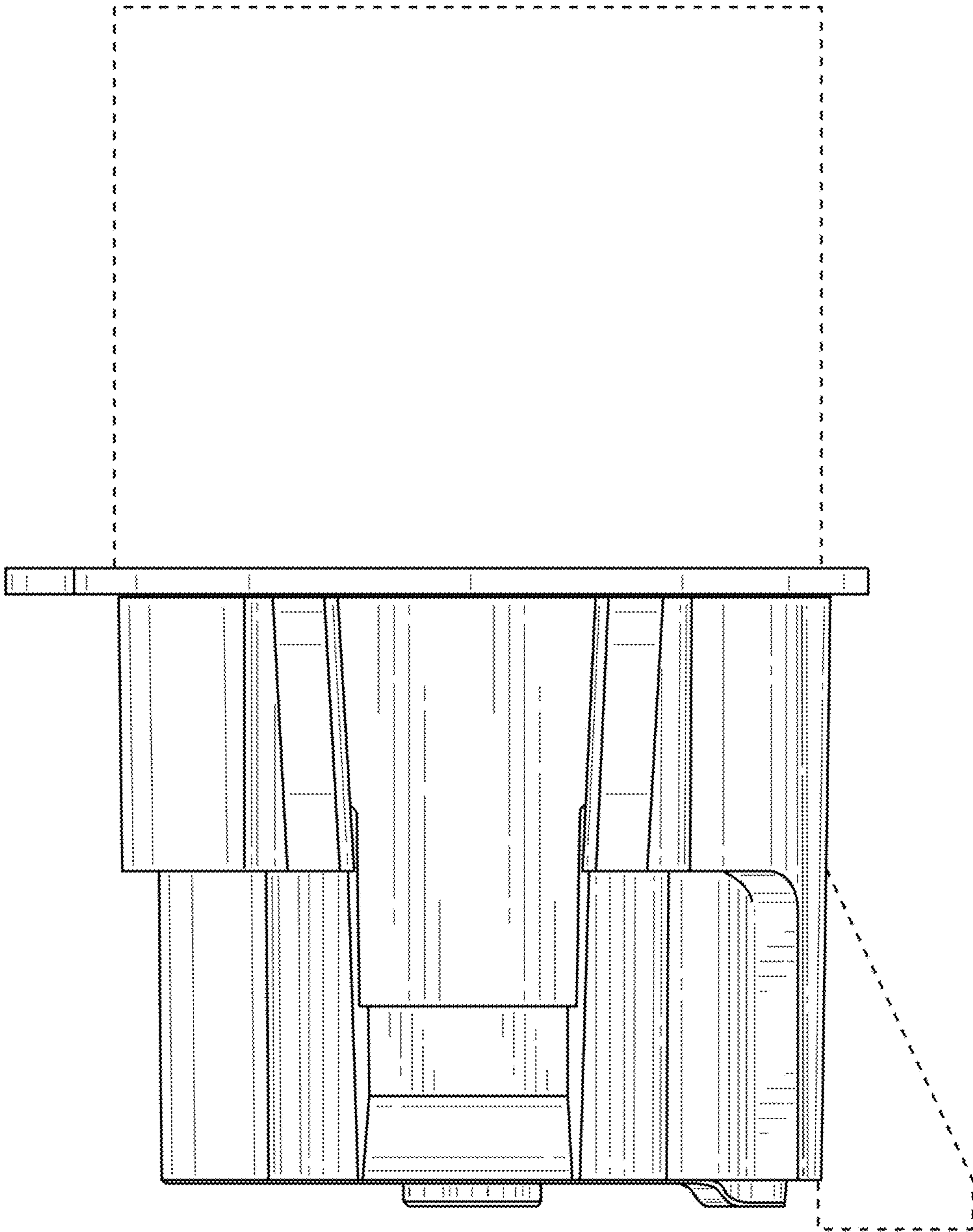


FIG. 3

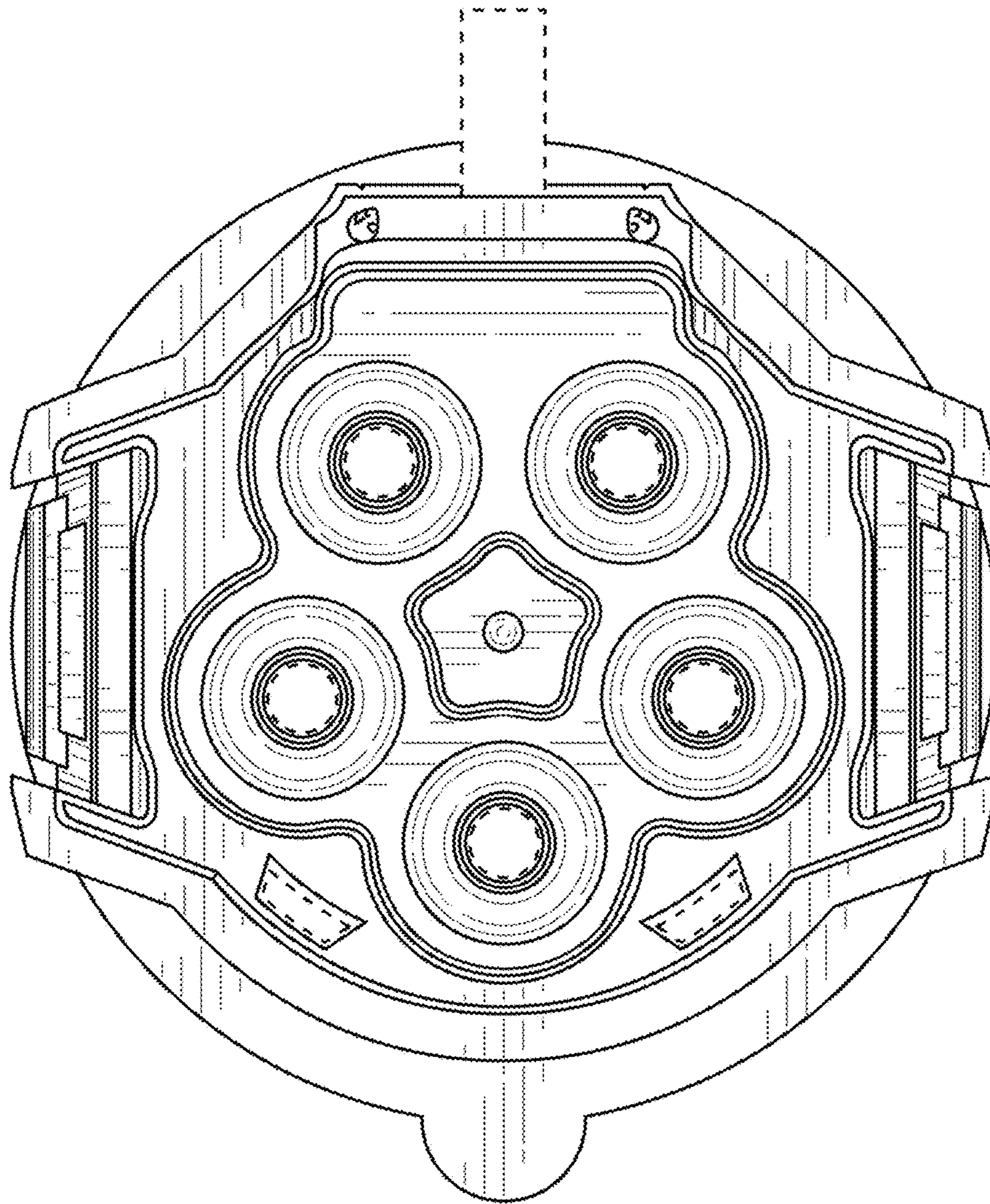


FIG. 4

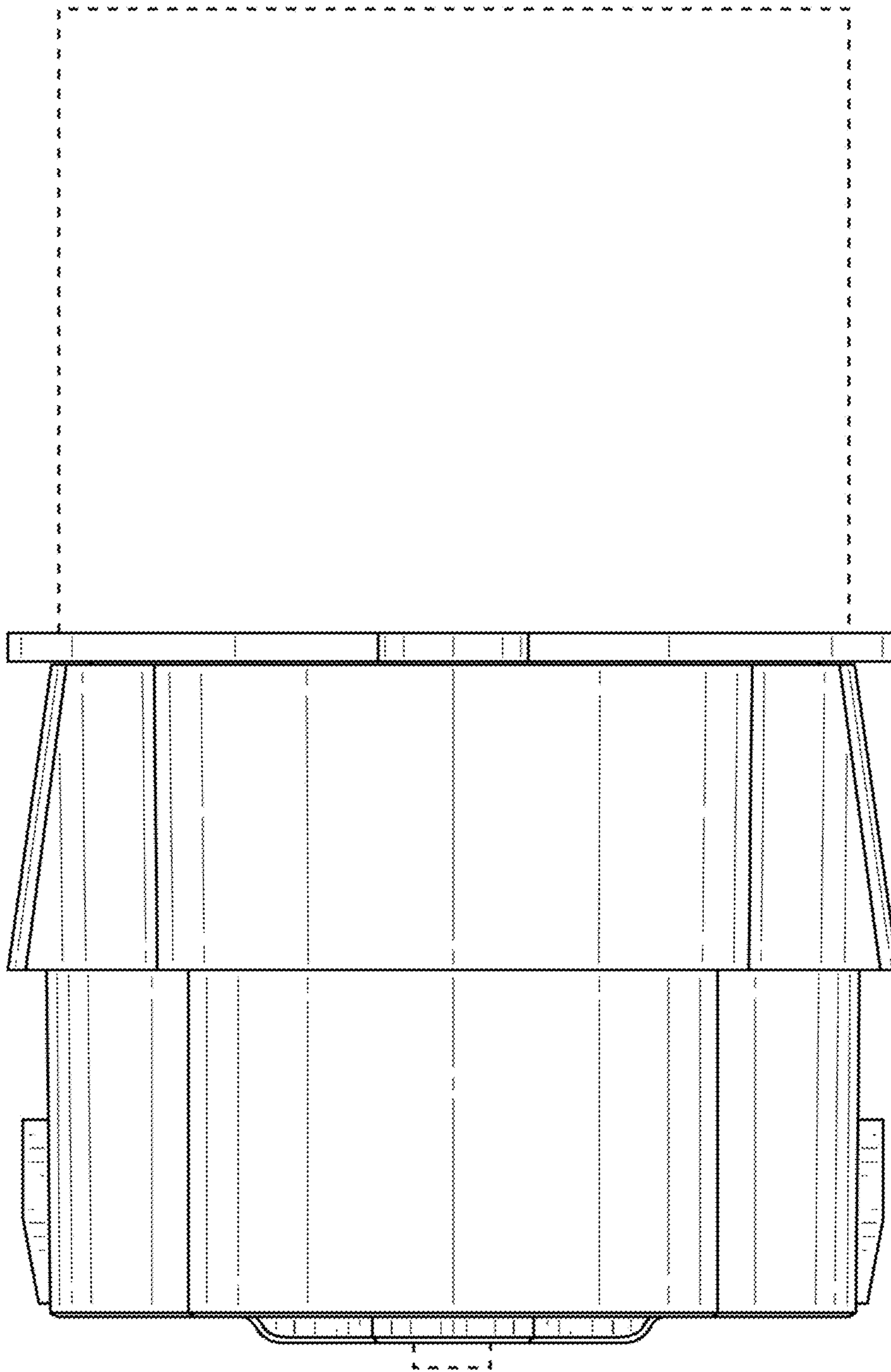


FIG. 5

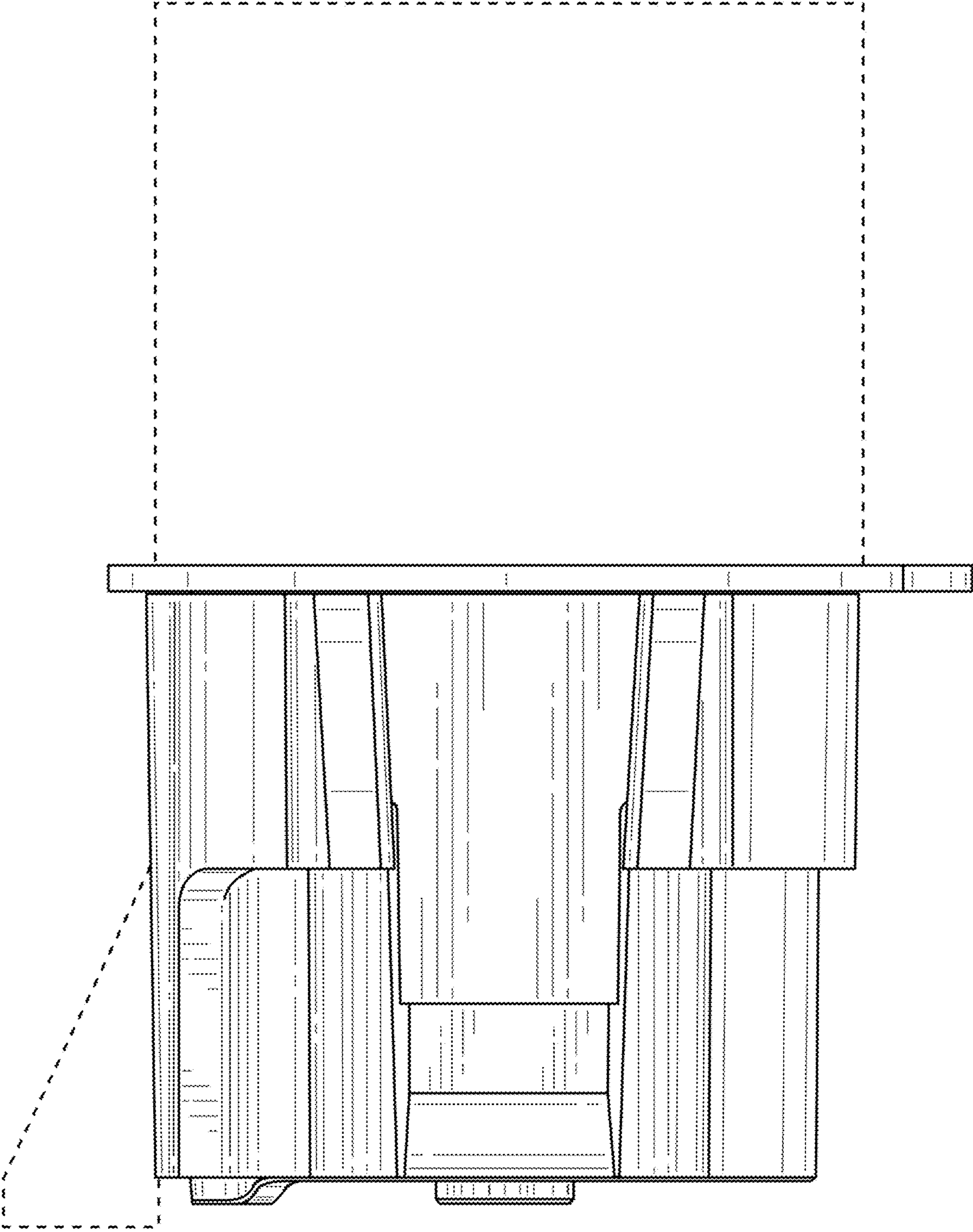


FIG. 6

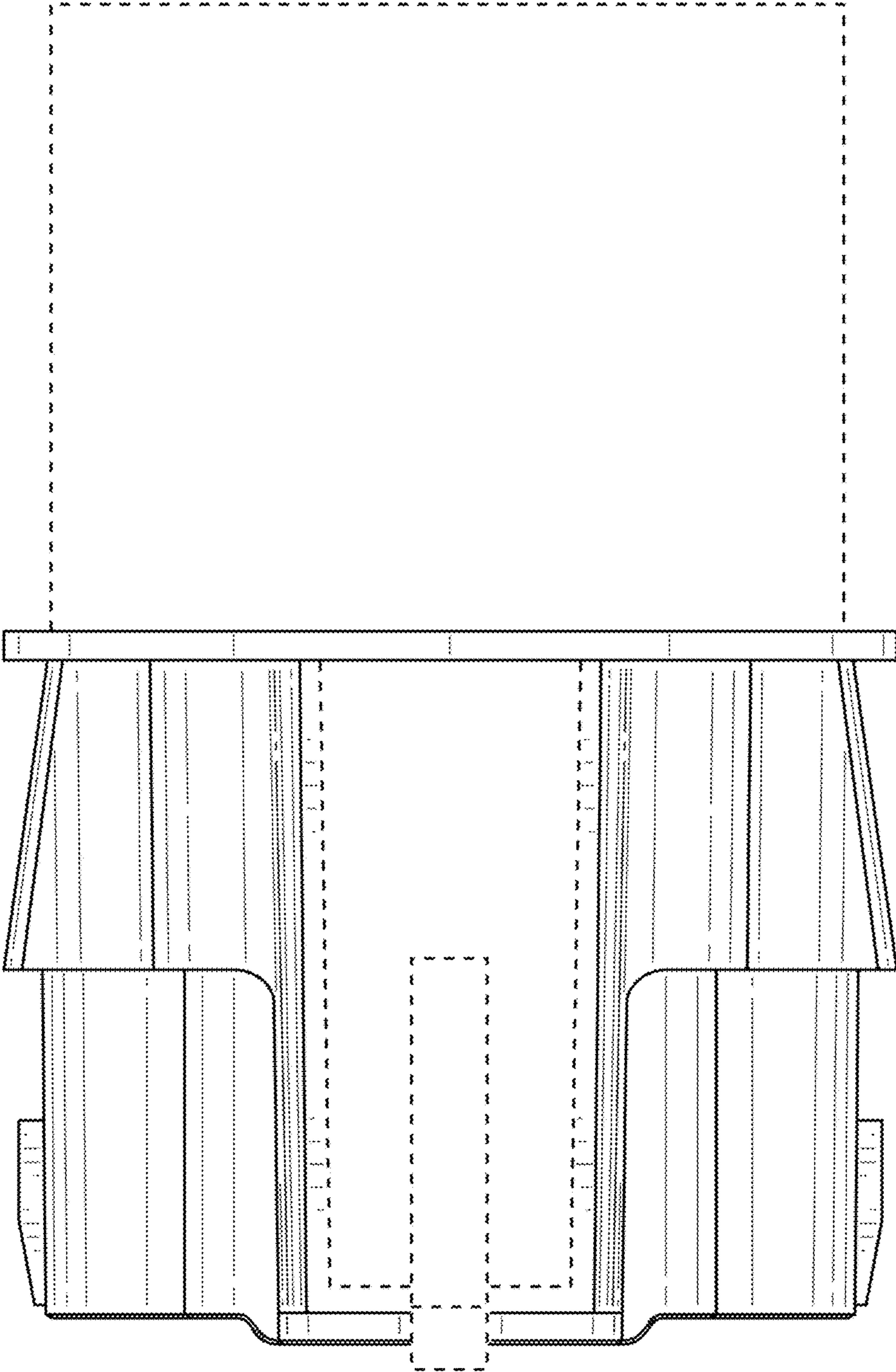


FIG. 7