

US00D960838S

(12) **United States Design Patent** (10) **Patent No.:** **US D960,838 S**
Battat (45) **Date of Patent:** **** Aug. 16, 2022**

(54) **UNINTERRUPTIBLE POWER SUPPLY**

(71) Applicant: **POWERTEC SOLUTIONS INTERNATIONAL LLC**, Franklin, KY (US)

(72) Inventor: **Stanley Battat**, Hollywood, FL (US)

(73) Assignee: **POWERTEC SOLUTIONS INTERNATIONAL LLC**, Franklin, KY (US)

(**) Term: **15 Years**

(21) Appl. No.: **29/813,099**

(22) Filed: **Oct. 26, 2021**

(51) **LOC (13) Cl.** **13-03**

(52) **U.S. Cl.**
USPC **D13/137.1**

(58) **Field of Classification Search**
USPC ... D13/137.1–137.4, 139.1, 139.8, 152, 110;
D26/26; D14/242, 240
CPC H01R 13/6205
See application file for complete search history.

(56) **References Cited**

U.S. PATENT DOCUMENTS

D342,581 S	*	12/1993	Reynolds	D13/137.1
D382,251 S	*	8/1997	Tsui	D13/137.1
D429,829 S	*	8/2000	Doran	D13/137.1
D469,402 S	*	1/2003	Bukiri	D13/137.1
D575,775 S	*	8/2008	Sekine	D14/242
D581,870 S	*	12/2008	Zhou	D13/137.2
D609,642 S	*	2/2010	Gandolfi	D13/137.2
D695,693 S	*	12/2013	Lee	D13/152
D710,307 S	*	8/2014	Ward	D13/137.2
D742,830 S	*	11/2015	Croft	D13/137.2
D746,228 S	*	12/2015	Medley	D13/110
D753,063 S	*	4/2016	Gelonese	D13/137.2

D776,057 S	*	1/2017	Burke	D13/137.2
D820,213 S	*	6/2018	Wang	D13/138.1
D822,651 S	*	7/2018	Gutteridge	D14/240
D843,943 S	*	3/2019	Yang	D13/137.2
D860,948 S	*	9/2019	Wang	D13/137.2
D864,429 S	*	10/2019	Zhang	D26/26
D908,092 S	*	1/2021	Jiang	D13/137.4
D923,211 S	*	6/2021	Zhang	D26/26
D938,361 S	*	12/2021	Chang	D13/137.2
D946,532 S	*	3/2022	Fu	D13/137.2
2015/0295438 A1	*	10/2015	Herr	H01R 13/6205 320/111

* cited by examiner

Primary Examiner — Rhea Shields

(74) *Attorney, Agent, or Firm* — Shane Cortesi

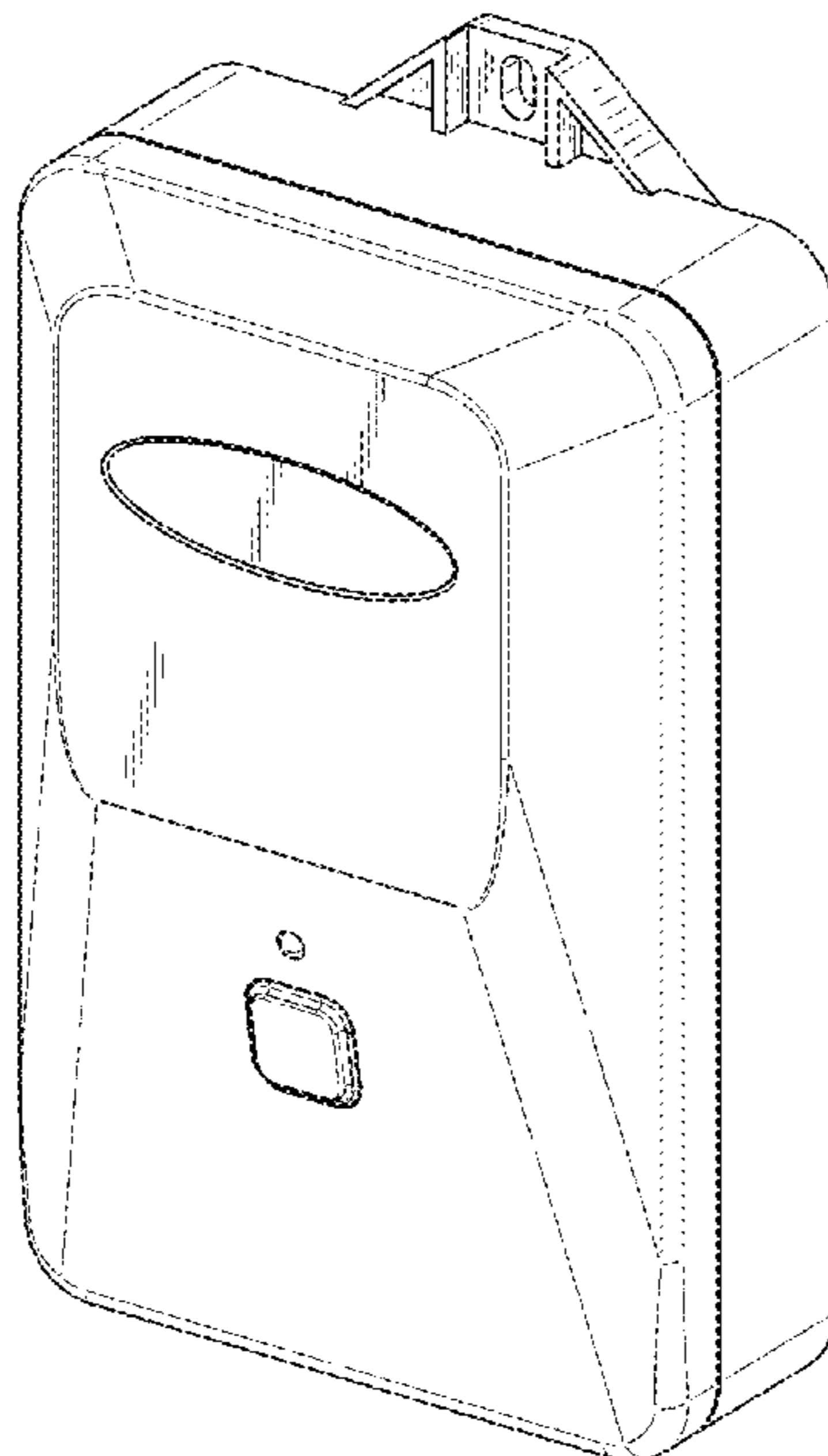
(57) **CLAIM**

The ornamental design for an power supply device, as shown and described.

DESCRIPTION

FIG. 1 is a front right top perspective view of an power supply device in accordance with the present invention. FIG. 2 is a rear left bottom perspective view of the power supply device of FIG. 1. FIG. 3 is a front elevation view of the power supply device of FIG. 1. FIG. 4 is a rear elevation view of the power supply device of FIG. 1. FIG. 5 is a left elevation view of the power supply device of FIG. 1, with the right elevation view being a mirror image thereof. FIG. 6 is a top plan view of the power supply device of FIG. 1; and, FIG. 7 is a bottom plan view of the power supply device of FIG. 1.

1 Claim, 3 Drawing Sheets



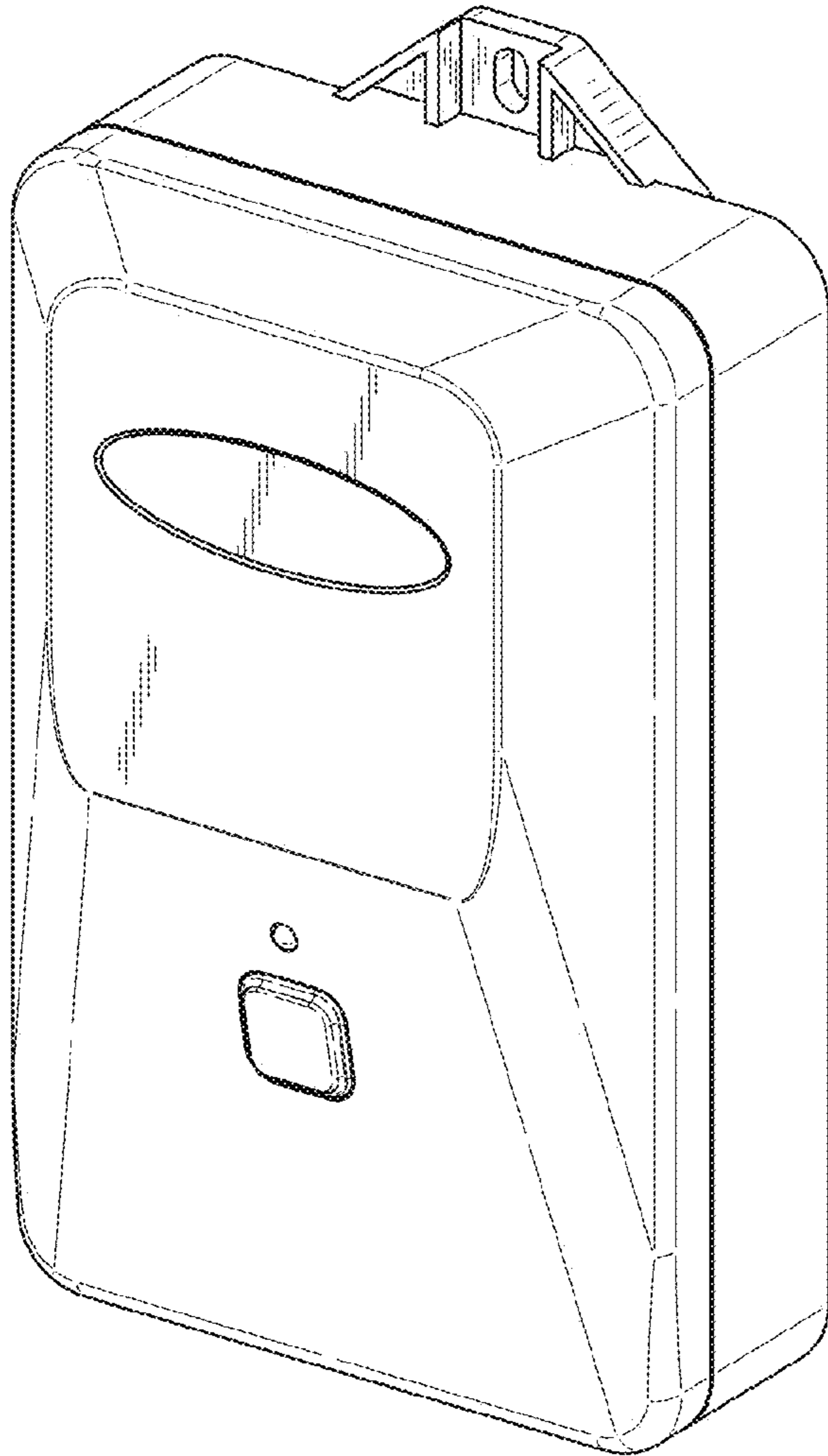


FIG. 1

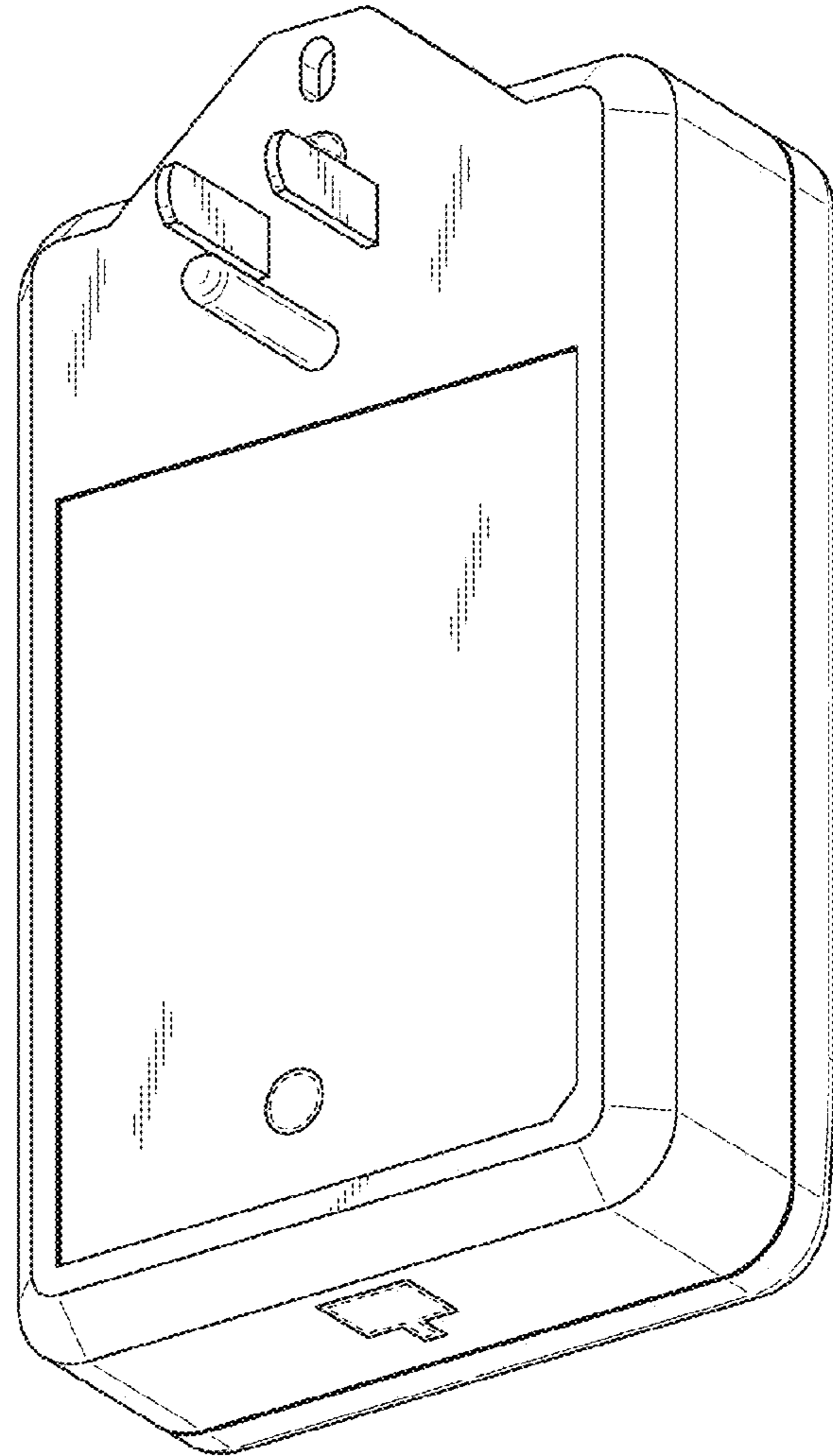


FIG. 2

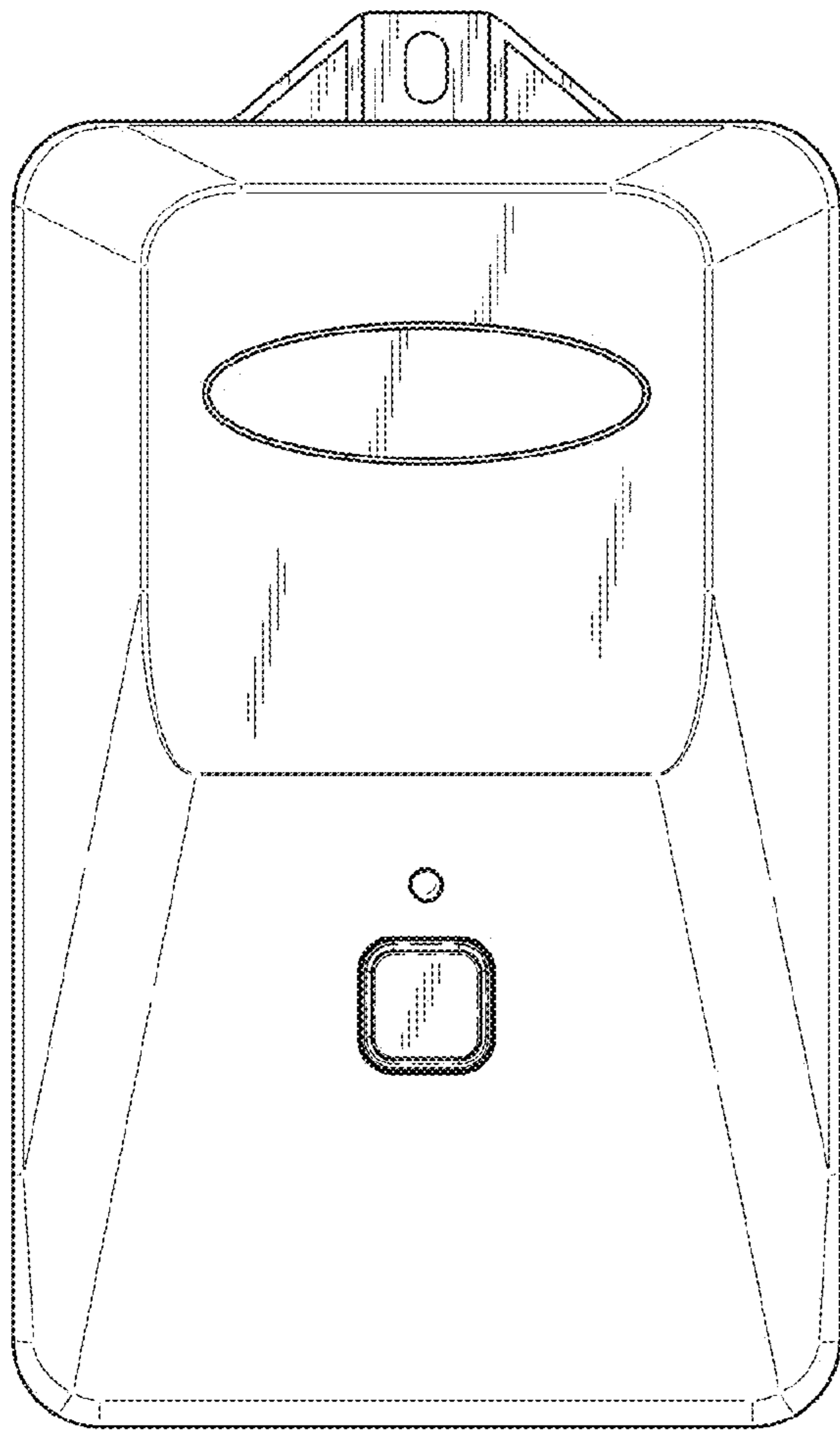


FIG. 3

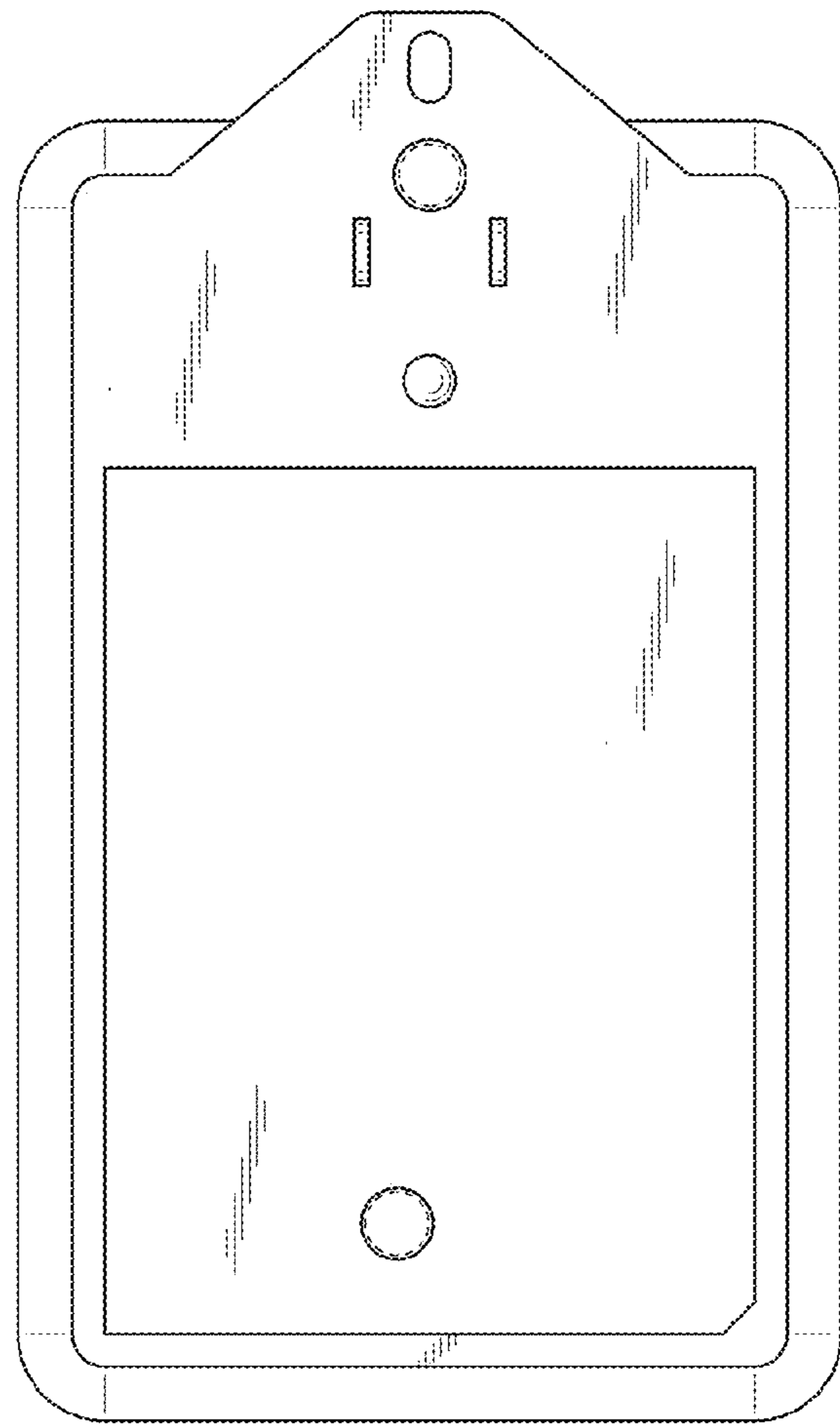


FIG. 4

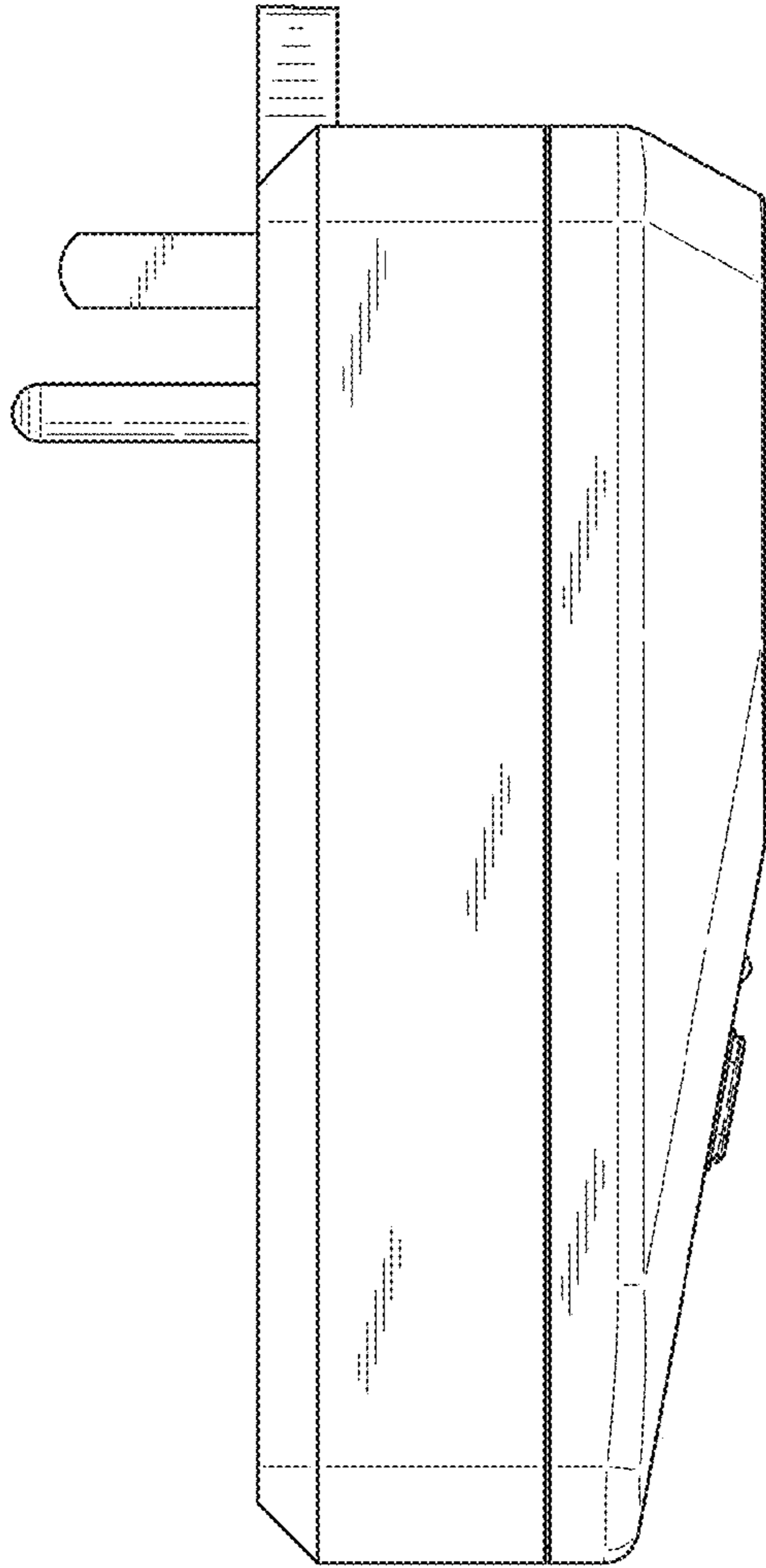


FIG. 5

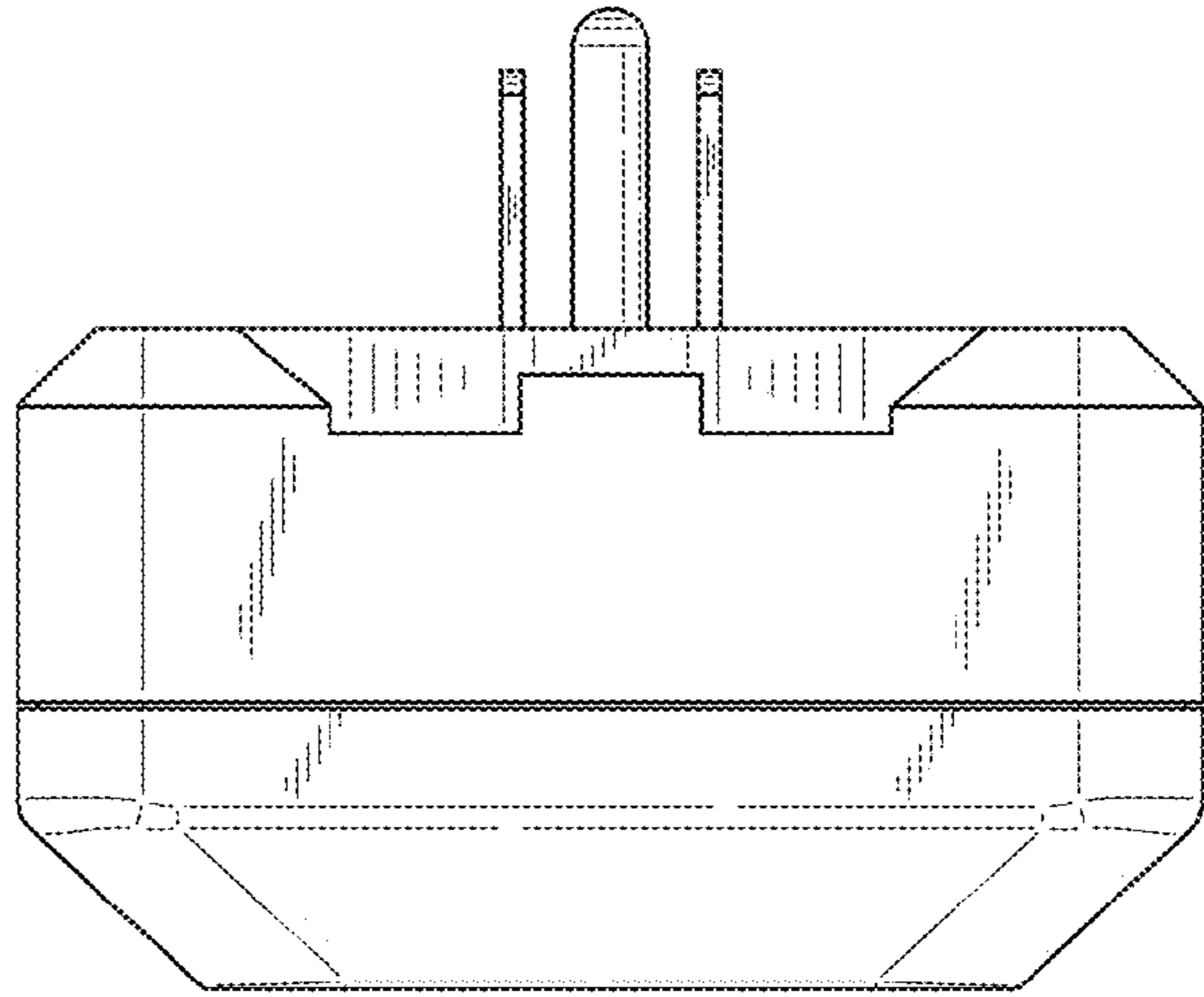


FIG. 6

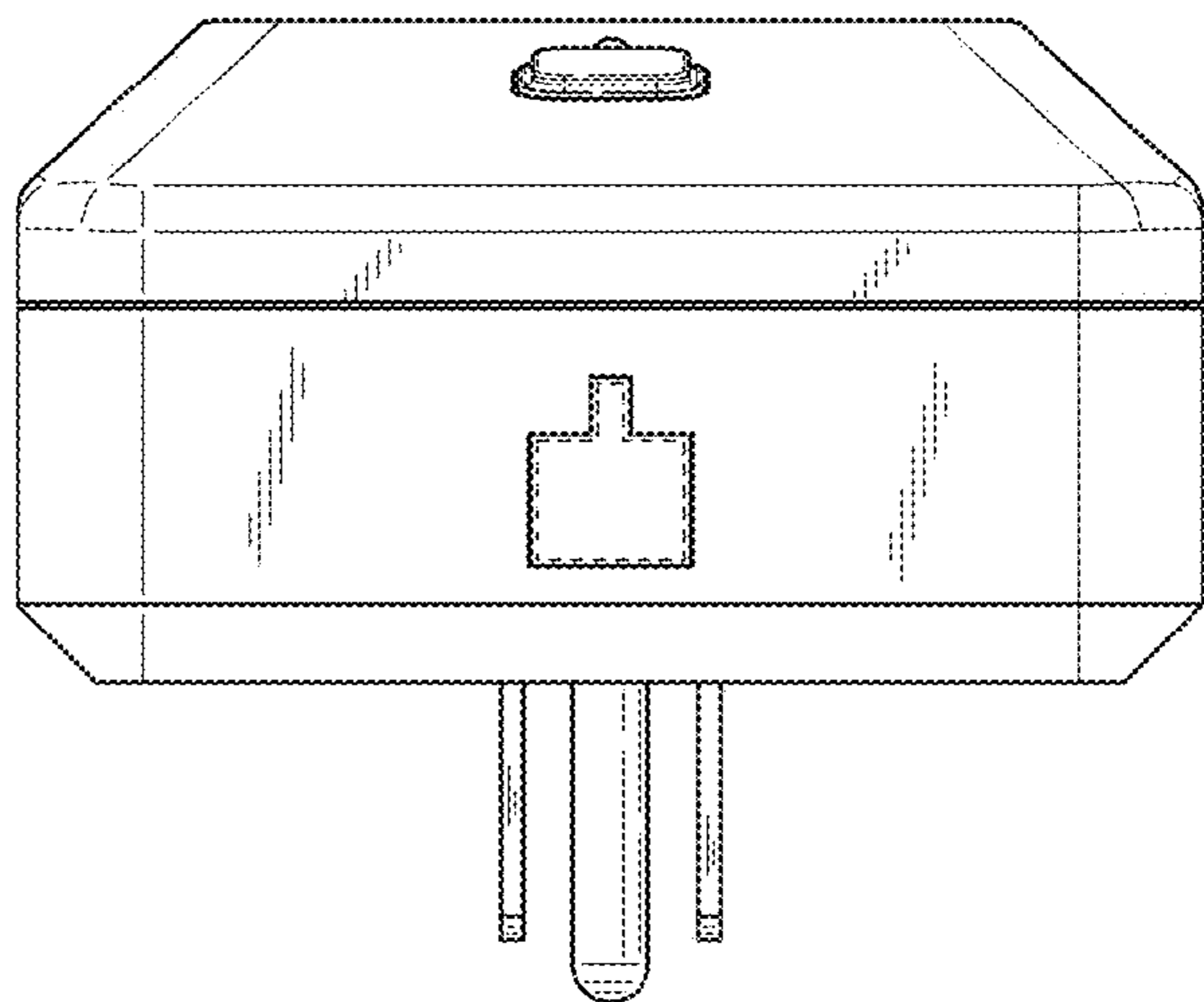


FIG. 7