

US00D960837S

(12) **United States Design Patent**
Drasner et al.

(10) **Patent No.:** **US D960,837 S**

(45) **Date of Patent:** **** Aug. 16, 2022**

(54) **ELECTRONIC CONNECTOR**

(71) Applicant: **WABCO Europe BVBA**, Brussels (BE)

(72) Inventors: **Danny Drasner**, Garbsen (DE);
Wojciech Grychowicz, Długoleka (PL);
Pawel Osinski, Wrocław (PL); **Ulrich Overhage**, Garbsen (DE)

(73) Assignee: **WABCO Europe BVBA**, Brussels (BE)

(**) Term: **15 Years**

(21) Appl. No.: **29/752,532**

(22) Filed: **Sep. 28, 2020**

Related U.S. Application Data

(62) Division of application No. 29/679,323, filed on Feb. 5, 2019, now Pat. No. Des. 951,200.

(30) **Foreign Application Priority Data**

Aug. 23, 2018 (EM) 005618089

(51) **LOC (13) Cl.** **13-03**

(52) **U.S. Cl.**
USPC **D13/133; D13/146**

(58) **Field of Classification Search**
USPC D13/133, 146, 147, 154, 155, 184, 199,
D13/123, 149
CPC H01R 13/02; H01R 13/08; H01R 13/28;
H01R 13/436; H01R 13/502; H01R
13/504; H01R 13/506; H01R 13/62;
H01R 13/64; H01R 13/641; H01R
13/6625; H01R 13/73; H01R 4/48; H01R
13/00; H01R 13/42; H01R 13/422; H01R
13/518; H01R 13/627; H01R 13/648;
H01R 25/00

See application file for complete search history.

(56) **References Cited**

U.S. PATENT DOCUMENTS

D275,848 S	10/1984	Ricossa	
D516,034 S *	2/2006	Huang	D13/147
D524,751 S	7/2006	Lee	
D543,149 S	5/2007	Huang	
D556,142 S	11/2007	Kudo	
D559,187 S	1/2008	Hayashi	
D564,966 S	3/2008	Shifris	
D608,285 S	1/2010	Sato	
D611,425 S	3/2010	Aldridge	
D628,158 S	11/2010	Skidmore	
D630,585 S	1/2011	Sakamoto	
D670,650 S	11/2012	Ebihara	
D674,347 S	1/2013	Shifris	
D677,626 S	3/2013	Dobier	
D677,627 S	3/2013	Dobier	
D691,560 S	10/2013	Wang	
D750,562 S	3/2016	Makimura	
9,318,836 B2	4/2016	Yagi	

(Continued)

Primary Examiner — Shawn T Gingrich

(74) *Attorney, Agent, or Firm* — Dickinson Wright PLLC

(57) **CLAIM**

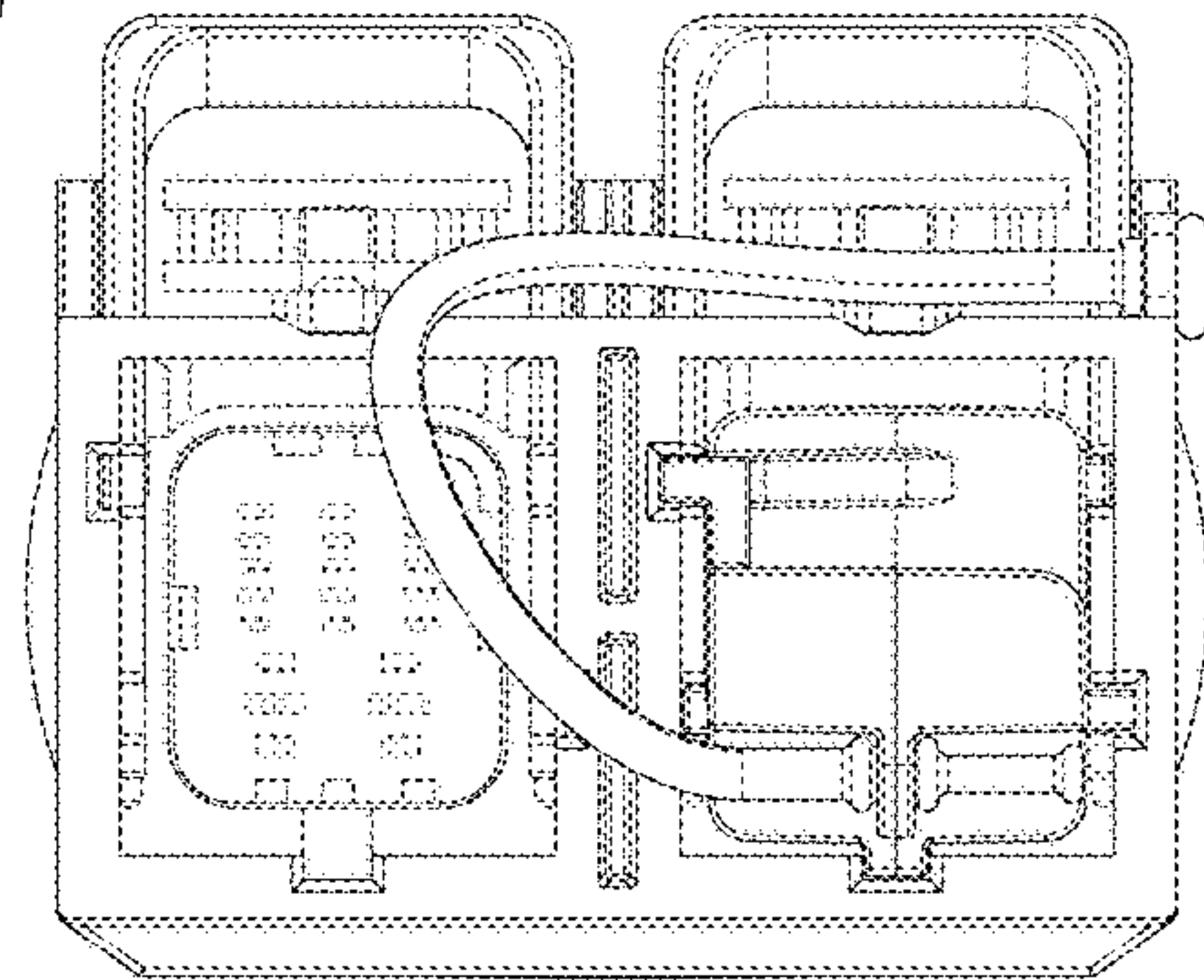
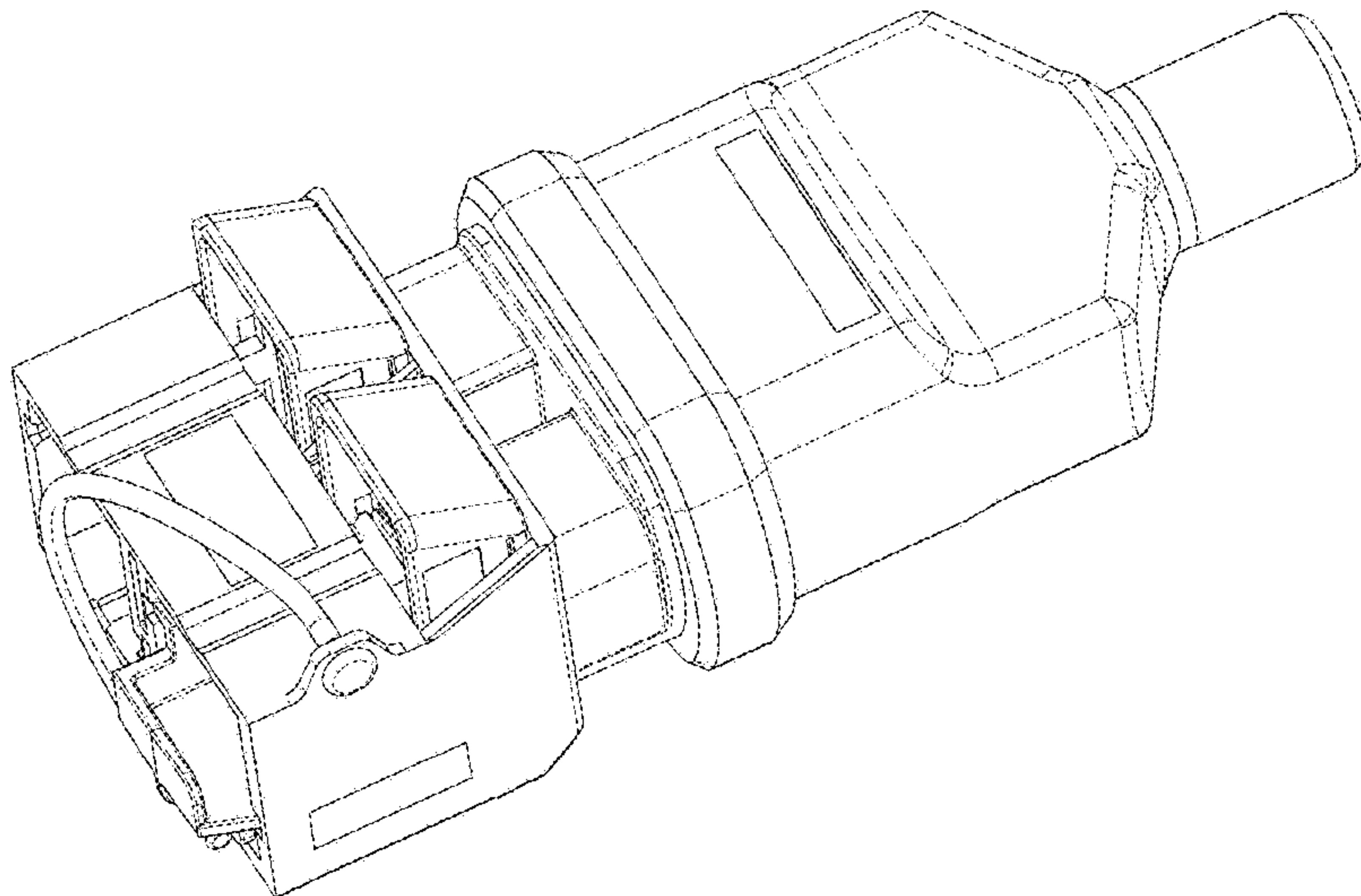
The ornamental design for an electronic connector, as shown and described.

DESCRIPTION

FIG. 1 is a perspective view of the electronic connector; FIG. 2 is a top view thereof; FIG. 3 is a bottom view thereof; FIG. 4 is a left side view thereof; FIG. 5 is a right side view thereof; FIG. 6 is a front view thereof; and, FIG. 7 is a rear view thereof.

The broken lines in the drawings illustrate portions of the electronic connector that form no part of the claimed design.

1 Claim, 4 Drawing Sheets



(56)

References Cited

U.S. PATENT DOCUMENTS

D800,069 S * 10/2017 Maskaly D13/146
D839,194 S 1/2019 Wardenburg
D846,548 S * 4/2019 Wilson D14/433
D873,220 S 1/2020 Ishiguro
D873,773 S 1/2020 Cao
D873,774 S 1/2020 Cao
D879,039 S 3/2020 Wu
D892,059 S * 8/2020 Zhang D13/147
D892,060 S * 8/2020 Zhang D13/147
D894,836 S * 9/2020 Obata D13/133
2005/0181670 A1 * 8/2005 Kumamoto H01R 13/6582
439/358
2006/0019545 A1 * 1/2006 Moriyama H01R 13/6471
439/660
2009/0004917 A1 * 1/2009 Ice H01R 13/648
439/607.41
2012/0164886 A1 * 6/2012 Ko H01R 13/6658
439/626
2015/0380858 A1 * 12/2015 Kao H01R 13/658
439/620.22
2021/0143572 A1 * 5/2021 Winkelmann H01R 13/5208

* cited by examiner

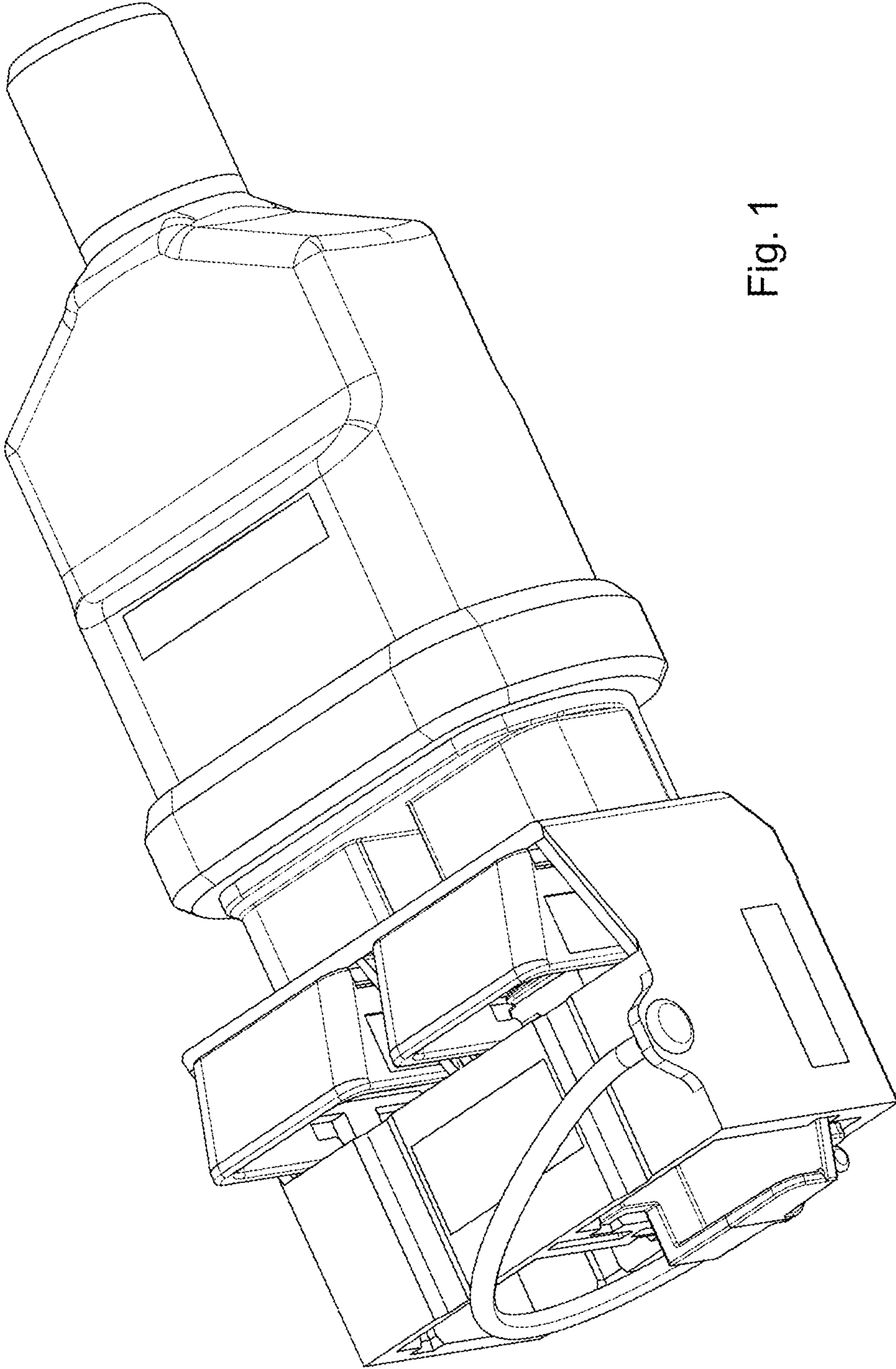


Fig. 1

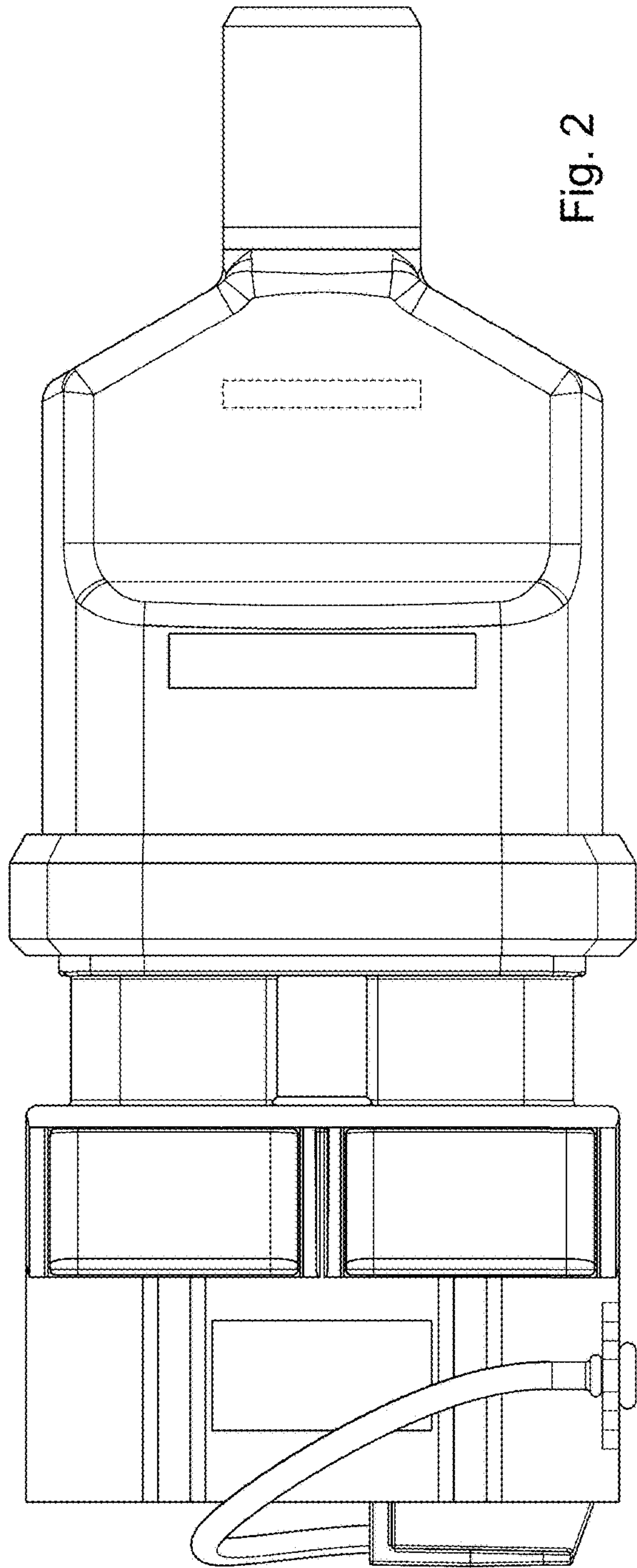


Fig. 2

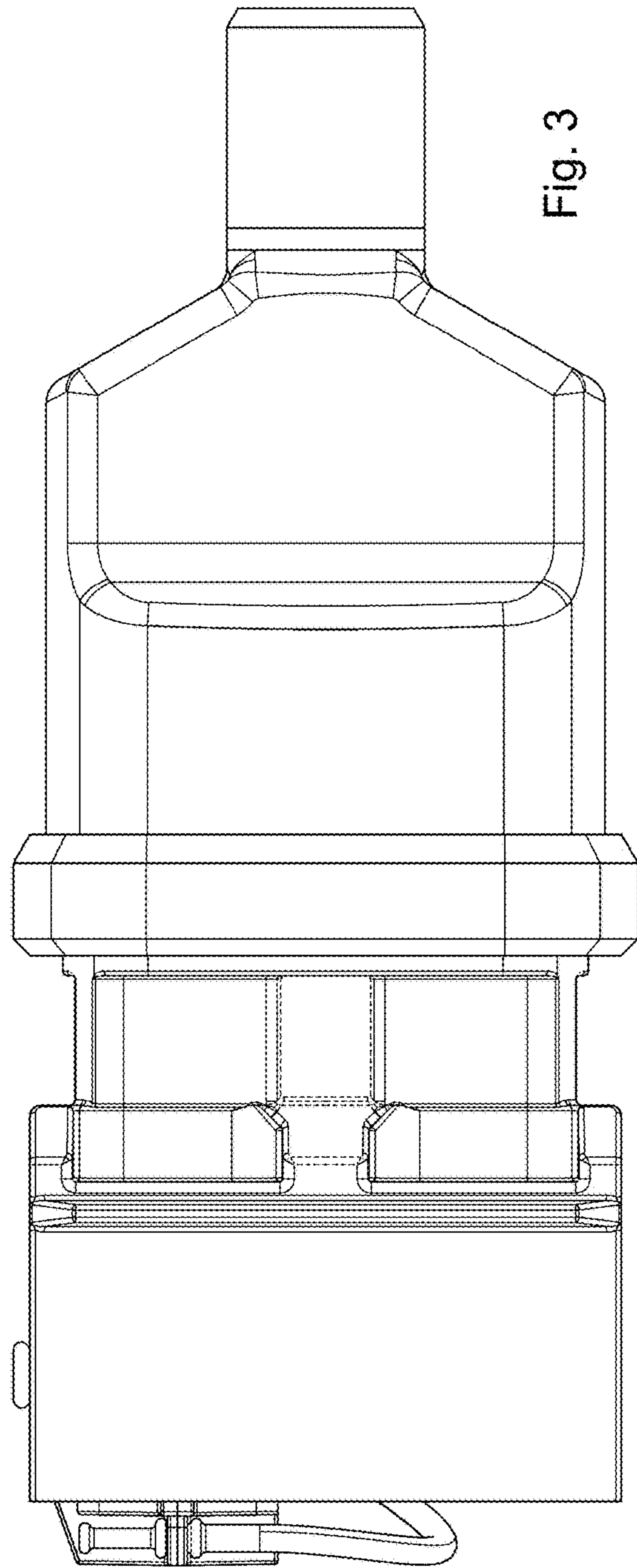


Fig. 3

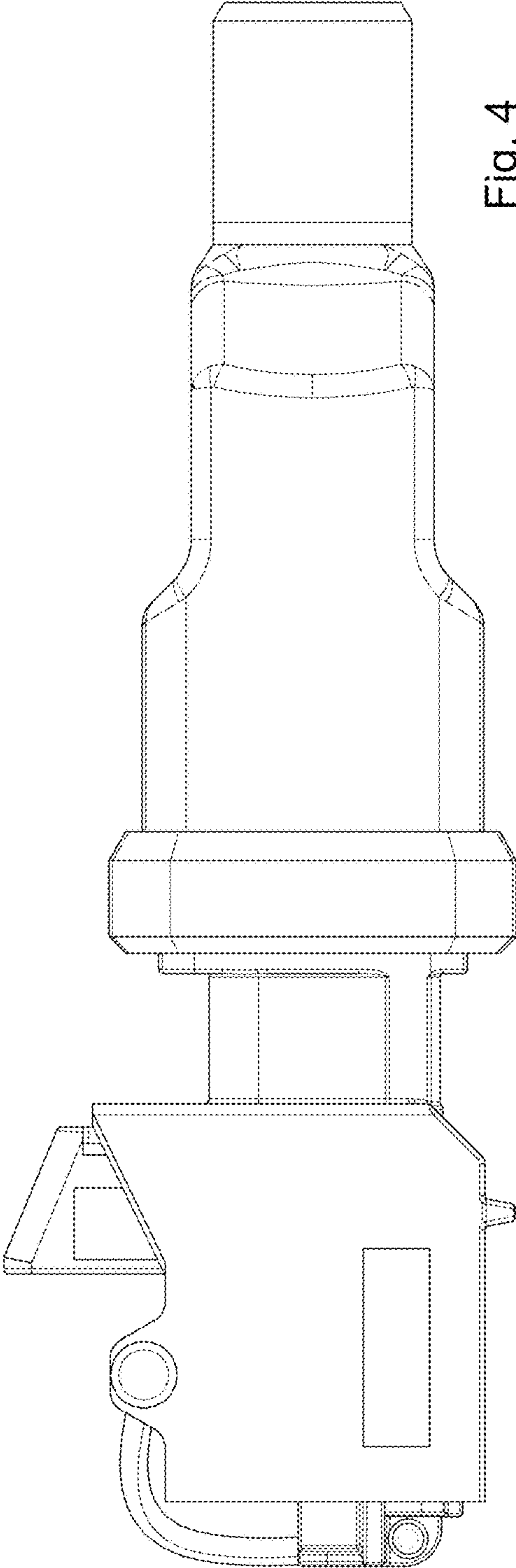


Fig. 4

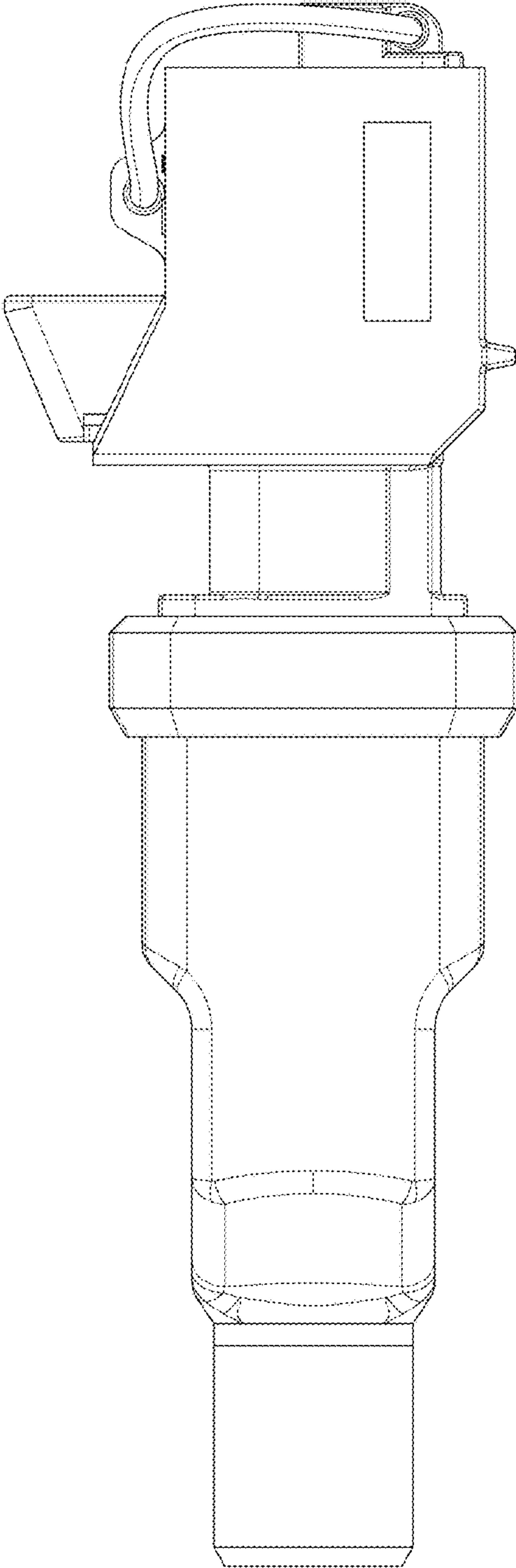


Fig. 5

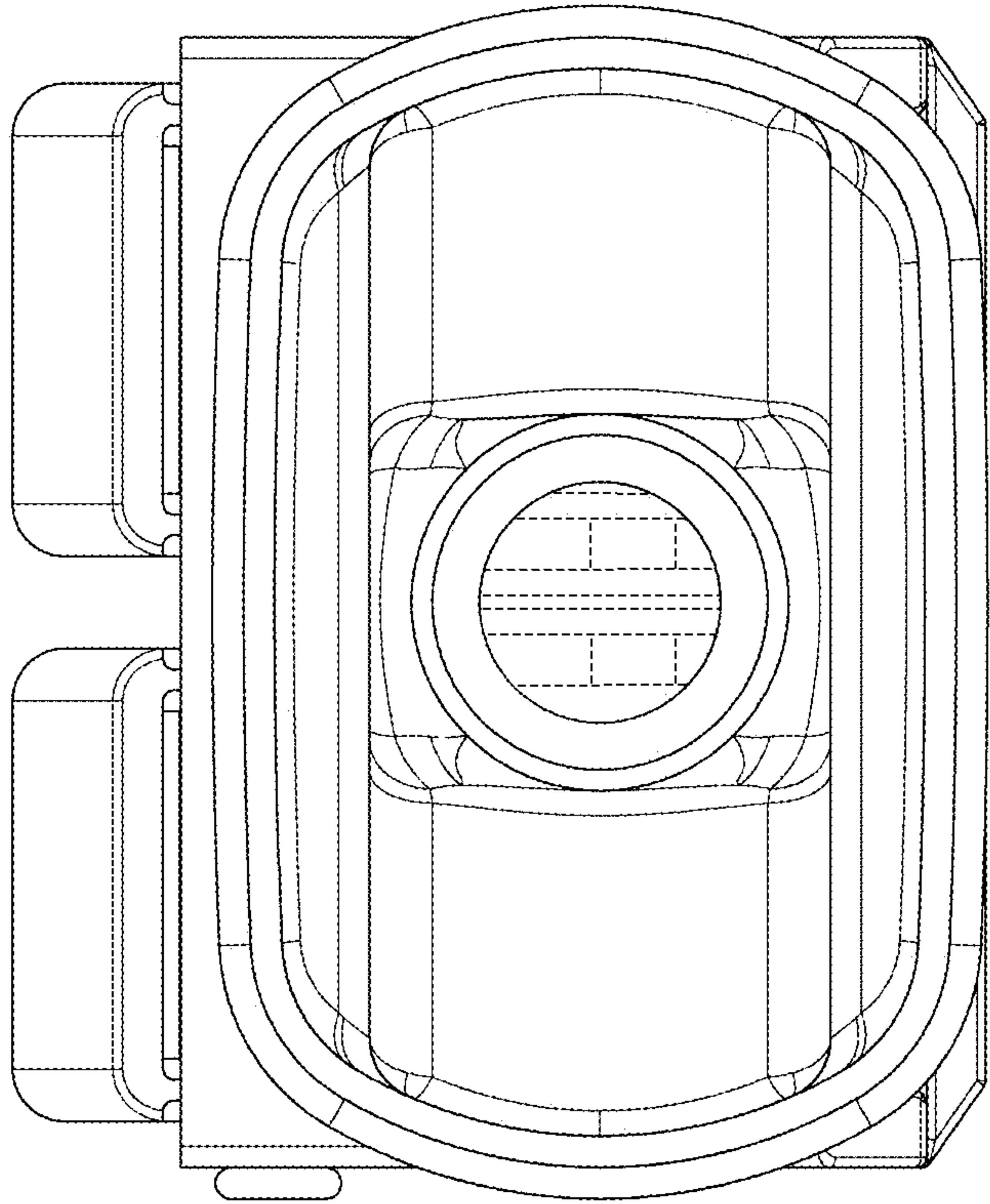


Fig. 7

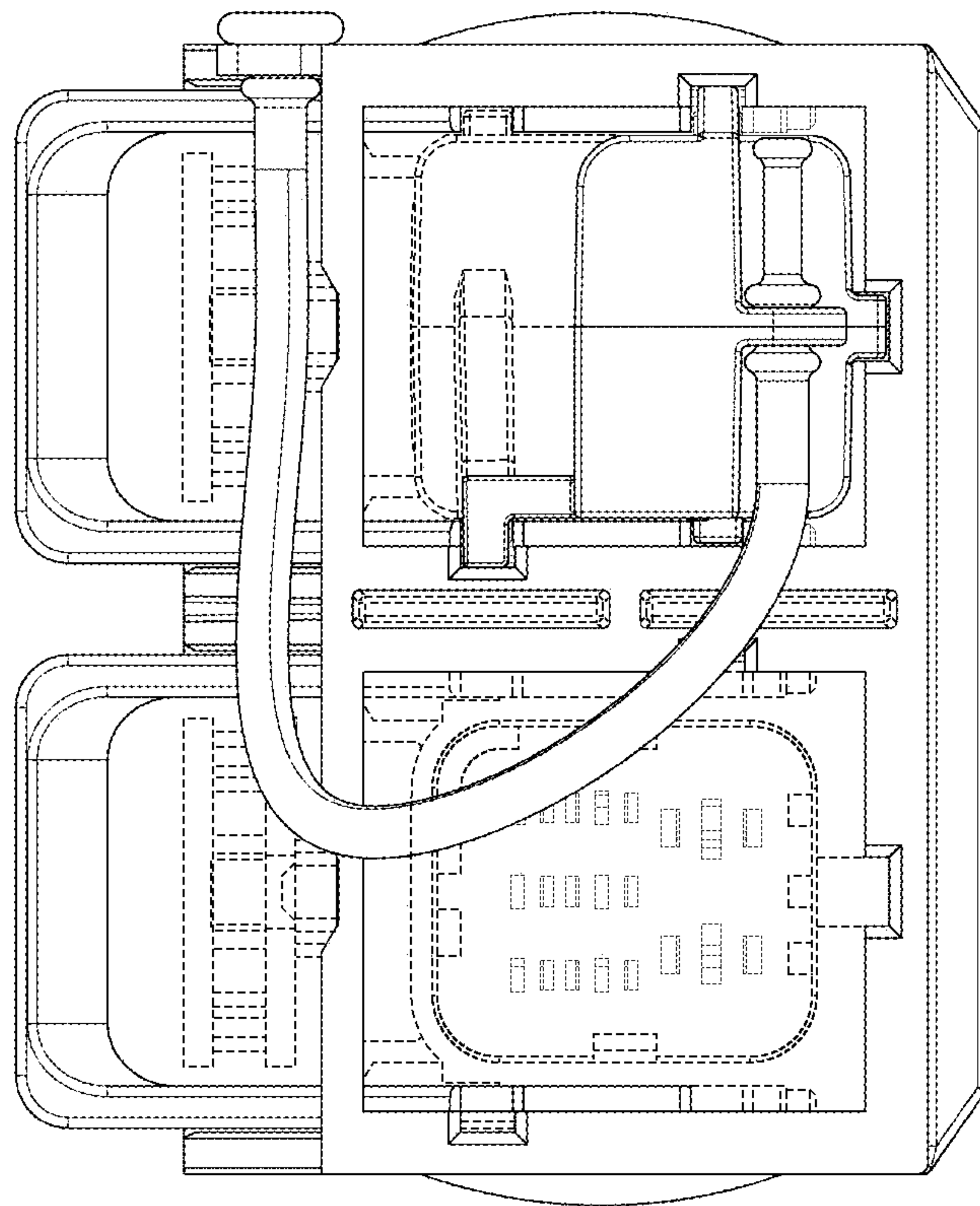


Fig. 6