

US00D960835S

(12) **United States Design Patent**
Lin

(10) **Patent No.:** **US D960,835 S**
(45) **Date of Patent:** **** Aug. 16, 2022**

(54) **INTEGRATED HYDROGEN GENERATOR**

(71) Applicant: **SHANGHAI ASCLEPIUS MEDITEC CO., LTD.**, Shanghai (CN)

(72) Inventor: **Hsin-Yung Lin**, Shanghai (CN)

(73) Assignee: **SHANGHAI ASCLEPIUS MEDITEC CO., LTD.**, Shanghai (CN)

(**) Term: **15 Years**

(21) Appl. No.: **29/710,830**

(22) Filed: **Oct. 25, 2019**

(30) **Foreign Application Priority Data**

Apr. 25, 2019 (CN) 201930193857.3

(51) **LOC (13) Cl.** **13-01**

(52) **U.S. Cl.**
USPC **D13/112**

(58) **Field of Classification Search**
USPC D13/101, 110, 112, 113, 114, 116, 118,
D13/122, 184, 199

CPC C25B 9/00; C01B 3/065; H02K 7/006;
F02B 63/044; F02B 2063/045
See application file for complete search history.

(56) **References Cited**

U.S. PATENT DOCUMENTS

D490,374 S * 5/2004 Amakawa D13/112
D662,881 S * 7/2012 He D13/116
D696,196 S * 12/2013 Plato D13/112
9,175,601 B2 * 11/2015 Markoski F02D 19/0649
D777,668 S * 1/2017 Lin D13/112

D790,466 S * 6/2017 Lin D13/112
D794,562 S * 8/2017 Markoski D13/112
D806,029 S * 12/2017 Lin D13/112
2015/0034025 A1 * 2/2015 Markoski F02N 3/02
123/2

* cited by examiner

Primary Examiner — Derrick E Holland

(57) **CLAIM**

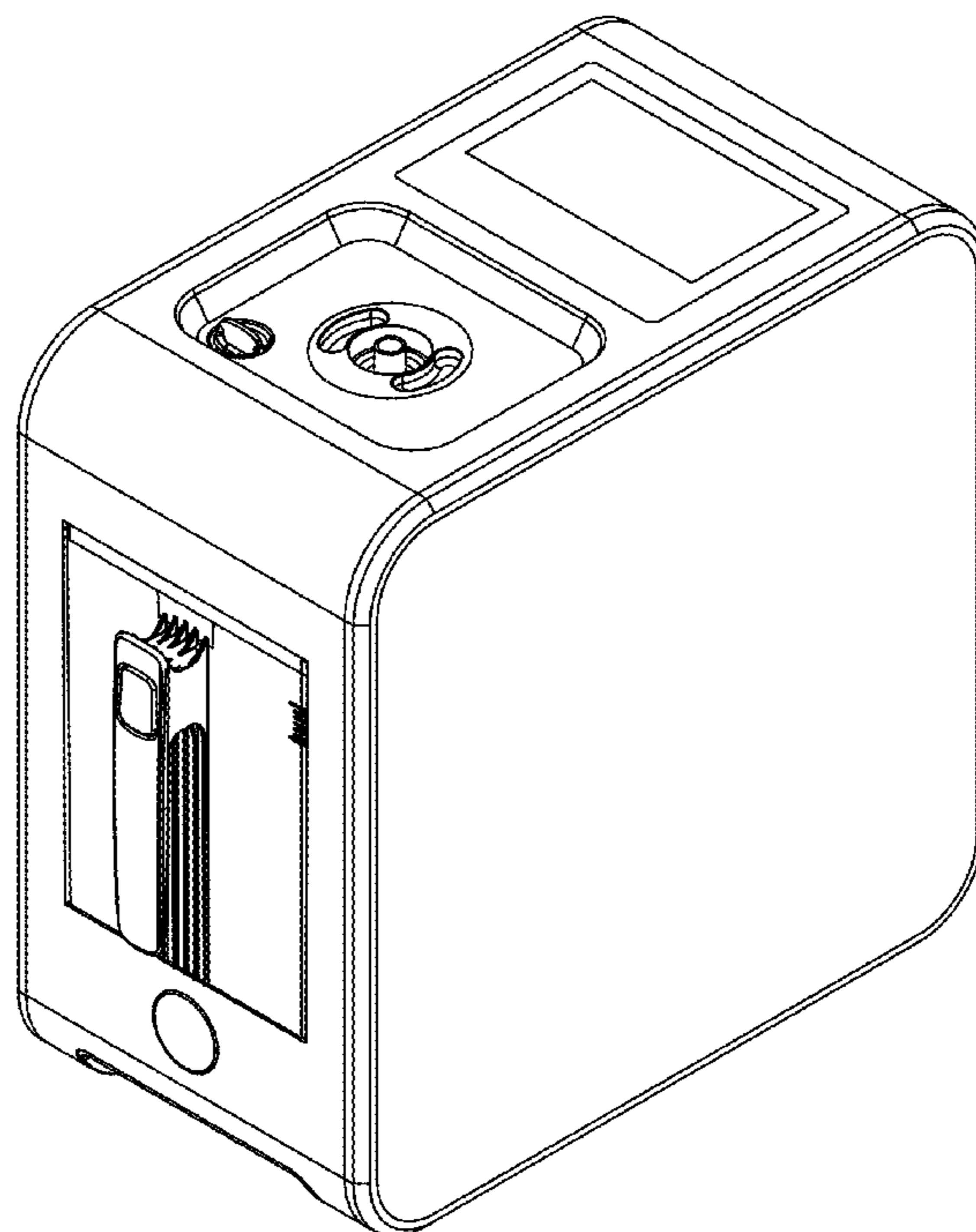
The ornamental design for an integrated hydrogen generator, as shown and described.

DESCRIPTION

FIG. 1 is a perspective view of a first embodiment of an integrated hydrogen generator according to the invention; FIG. 2 is another perspective view thereof; FIG. 3 is a front view thereof; FIG. 4 is a rear view thereof; FIG. 5 is a left side view thereof; FIG. 6 is a right side view thereof; FIG. 7 is a top view thereof; and, FIG. 8 is a bottom view thereof. FIG. 9 is a perspective view of a second embodiment of an integrated hydrogen generator according to the invention; FIG. 10 is another perspective view thereof; FIG. 11 is a front view thereof; FIG. 12 is a rear view thereof; FIG. 13 is a left side view thereof; FIG. 14 is a right side view thereof; FIG. 15 is a top view thereof; and, FIG. 16 is a bottom view thereof.

The broken lines shown represent the portions of the integrated hydrogen generator that form no part of the claimed design.

1 Claim, 16 Drawing Sheets



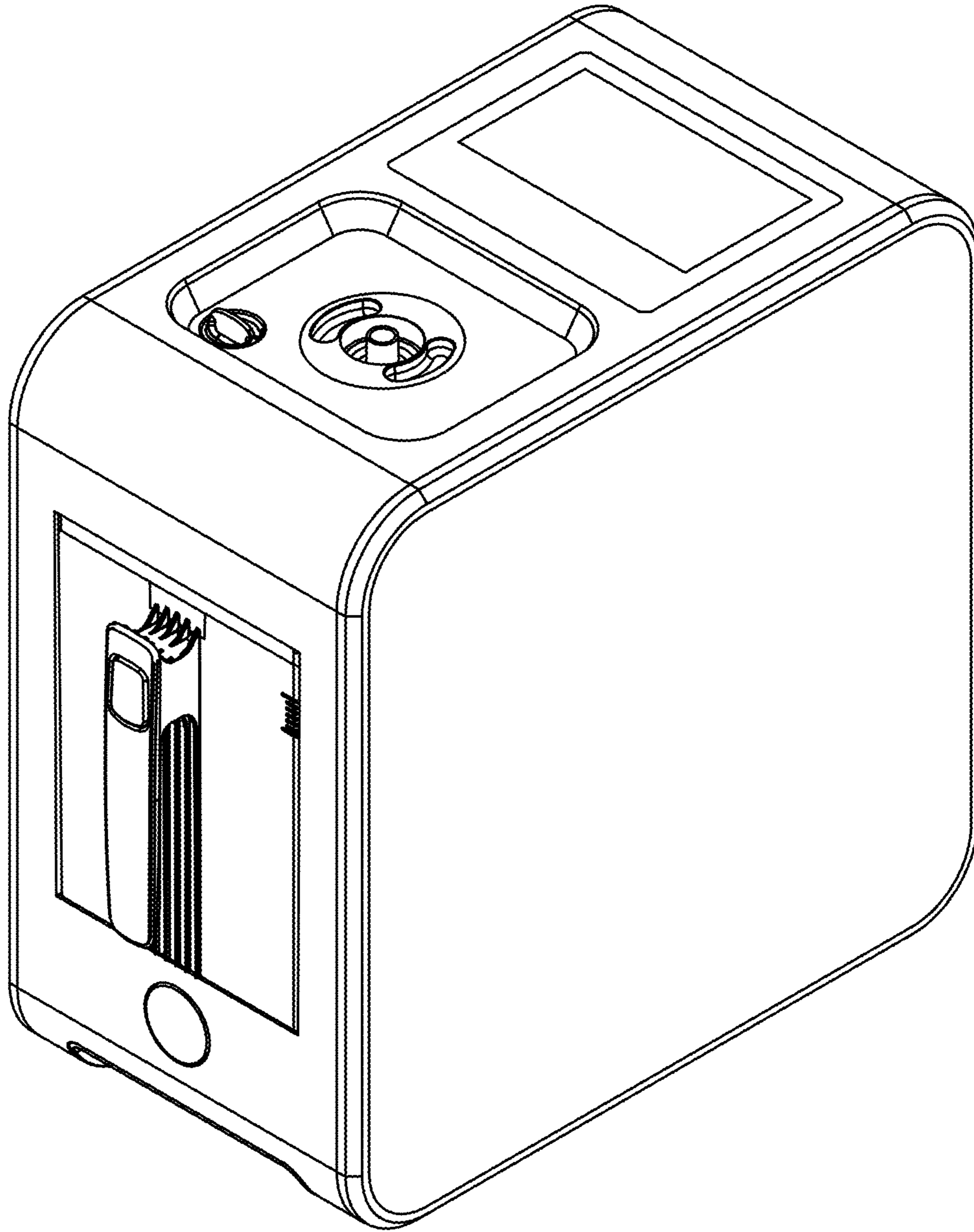


FIG. 1

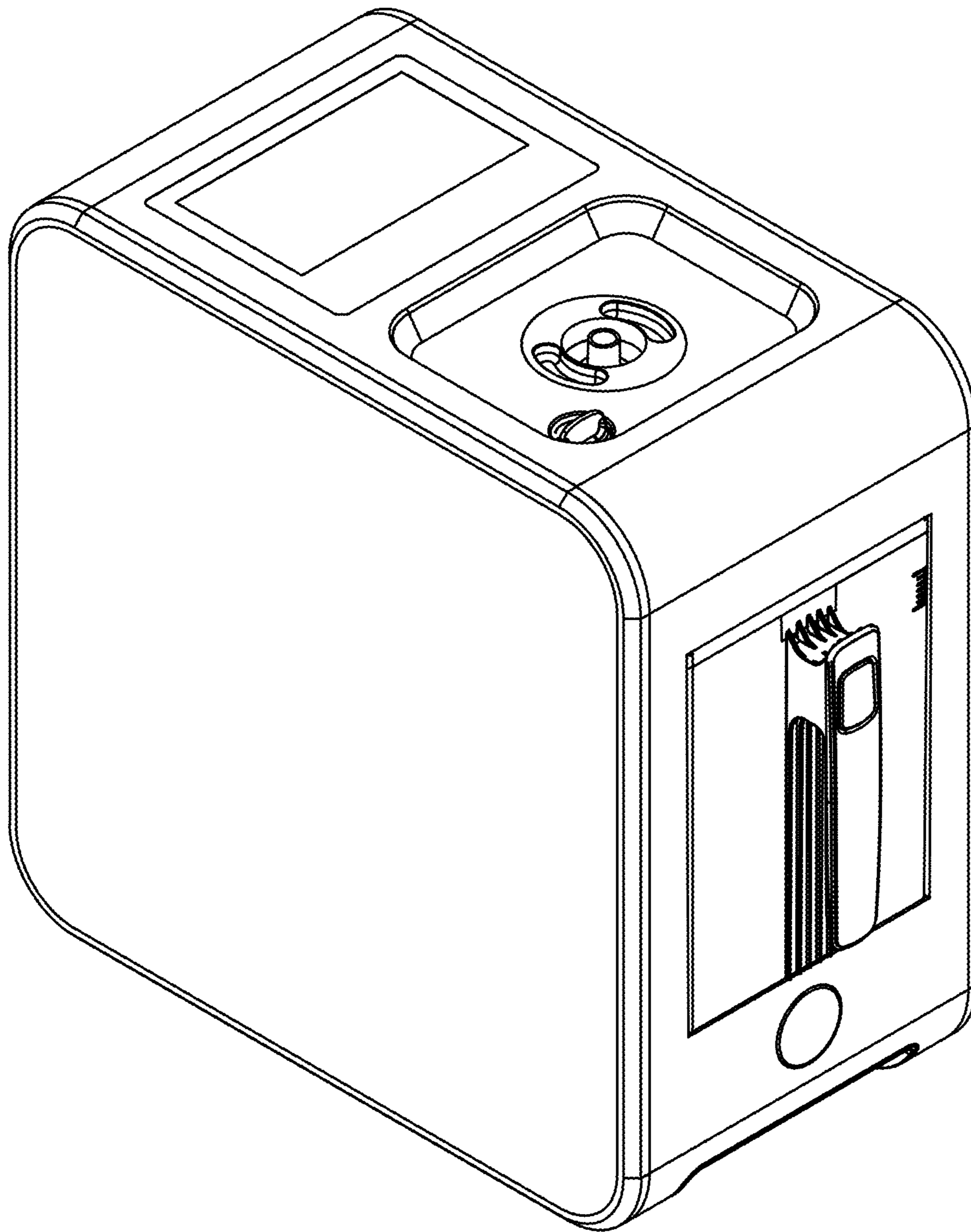


FIG. 2

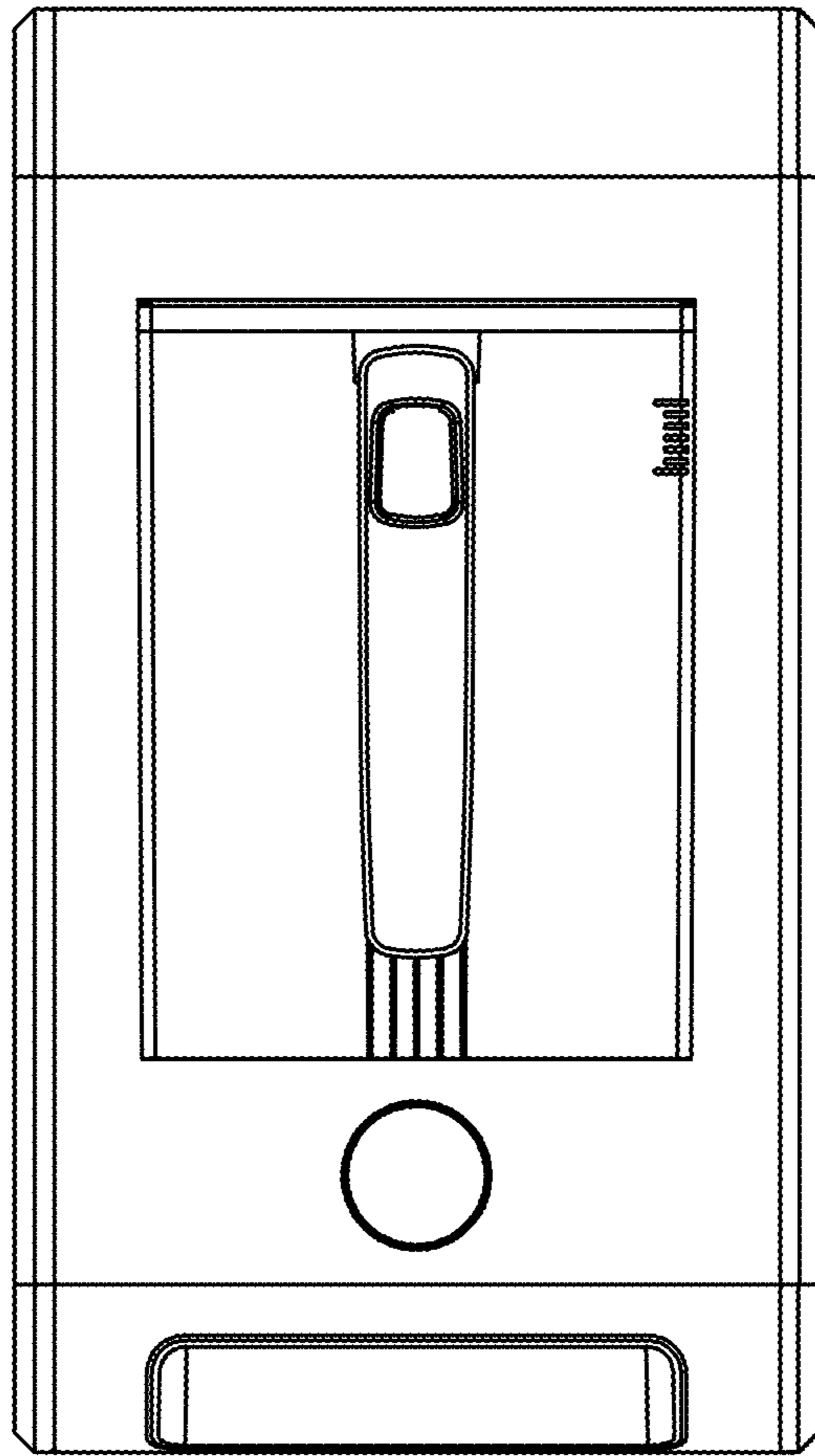


FIG. 3

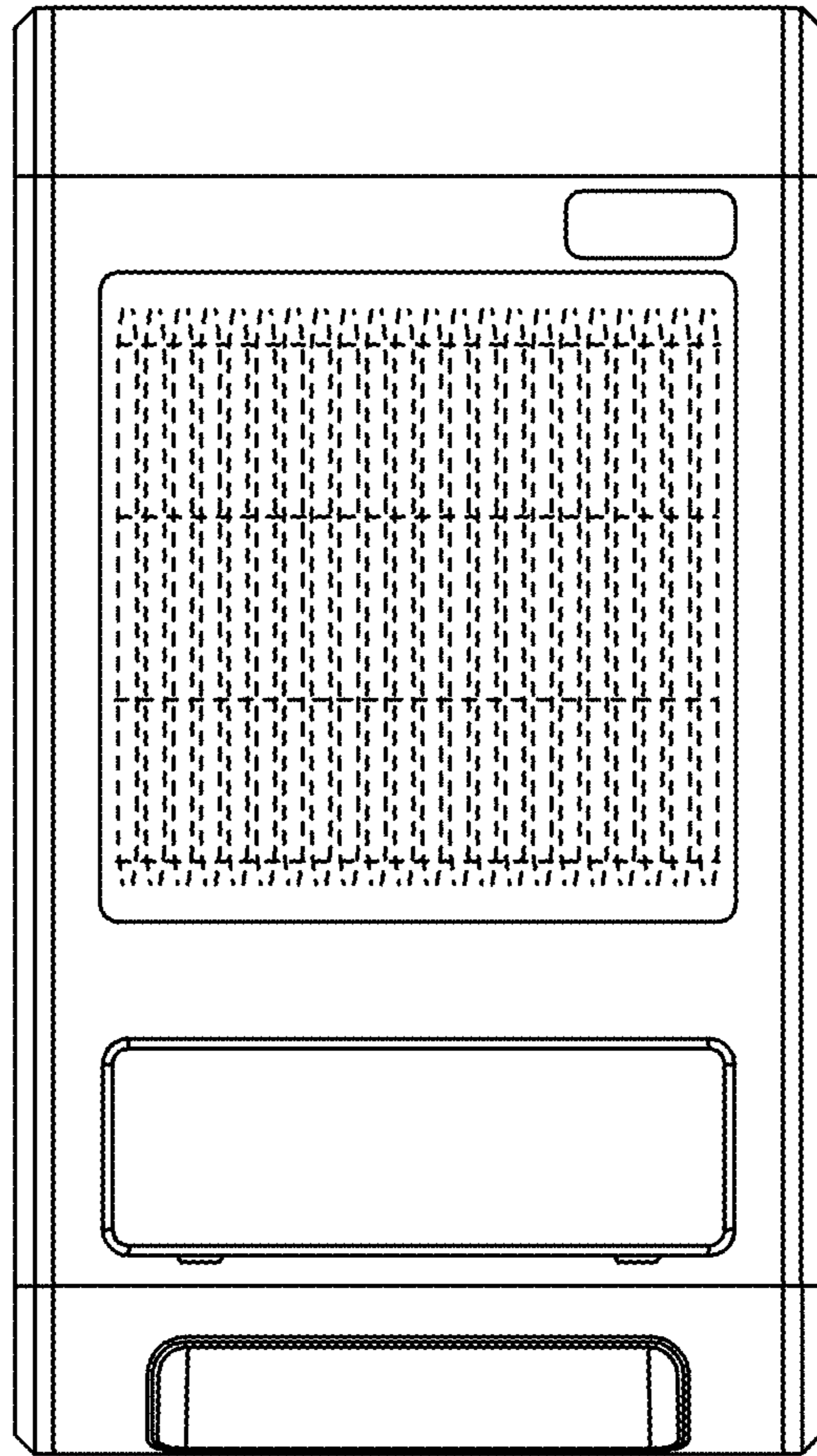


FIG. 4

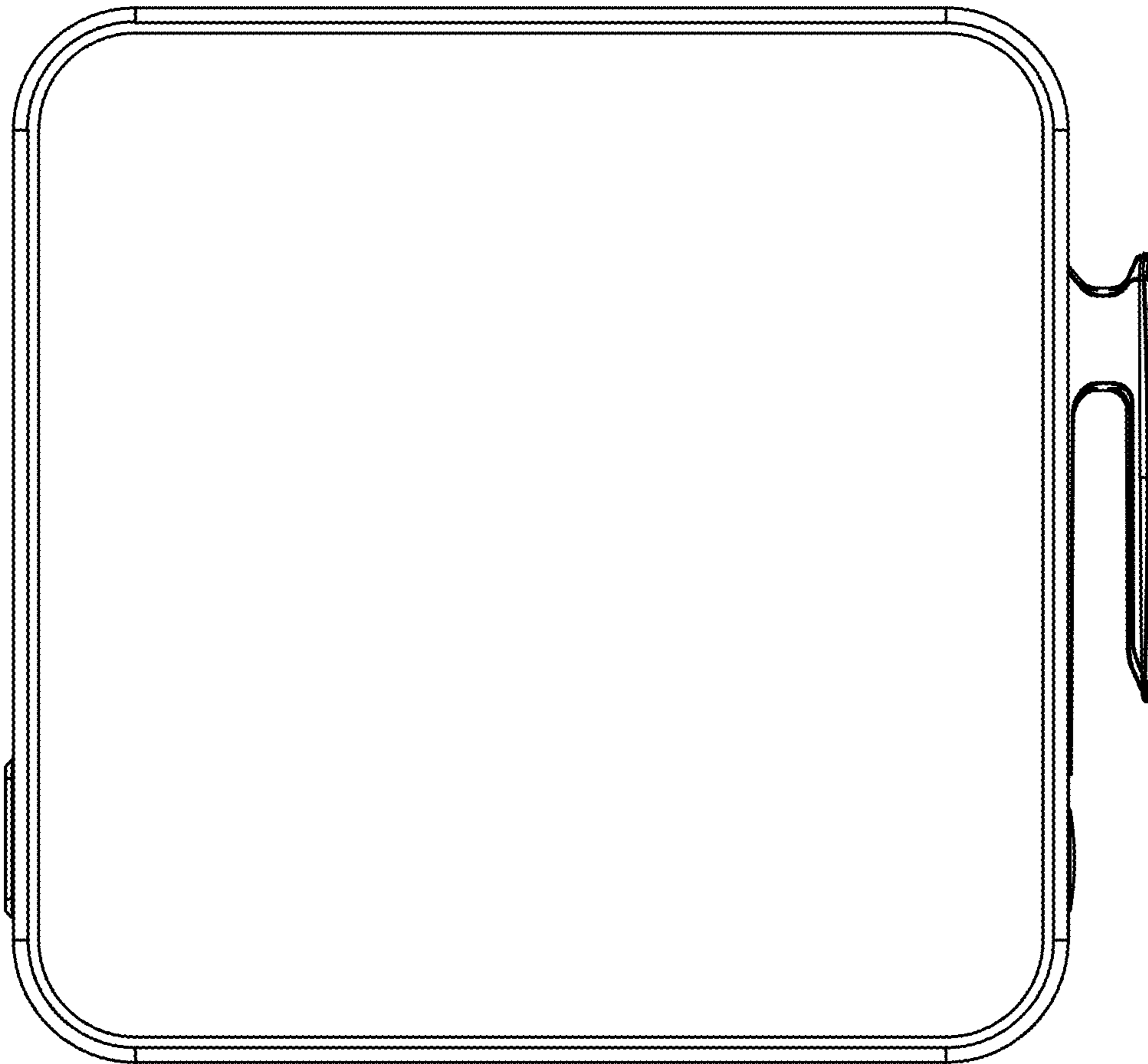


FIG. 5

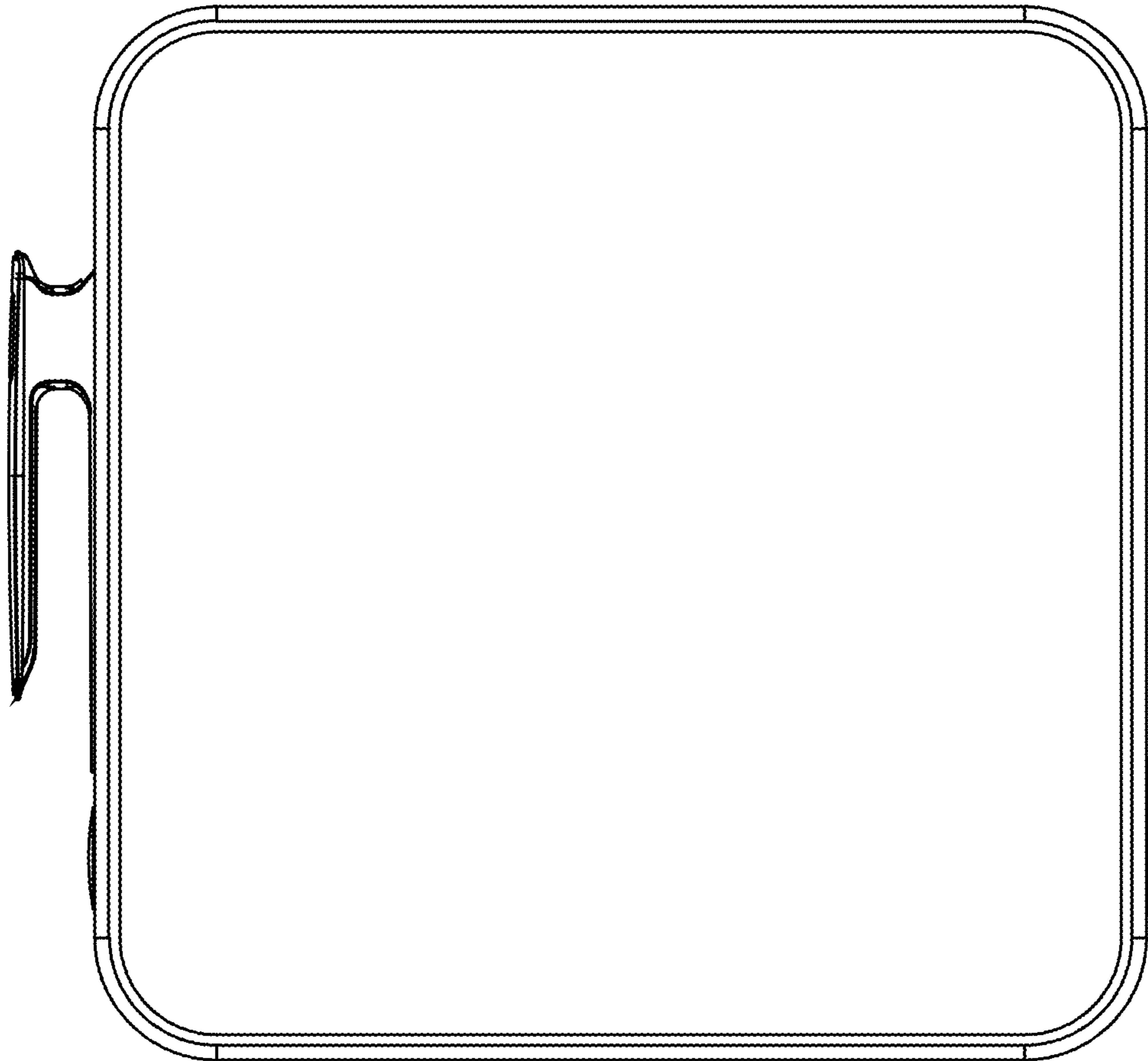


FIG. 6

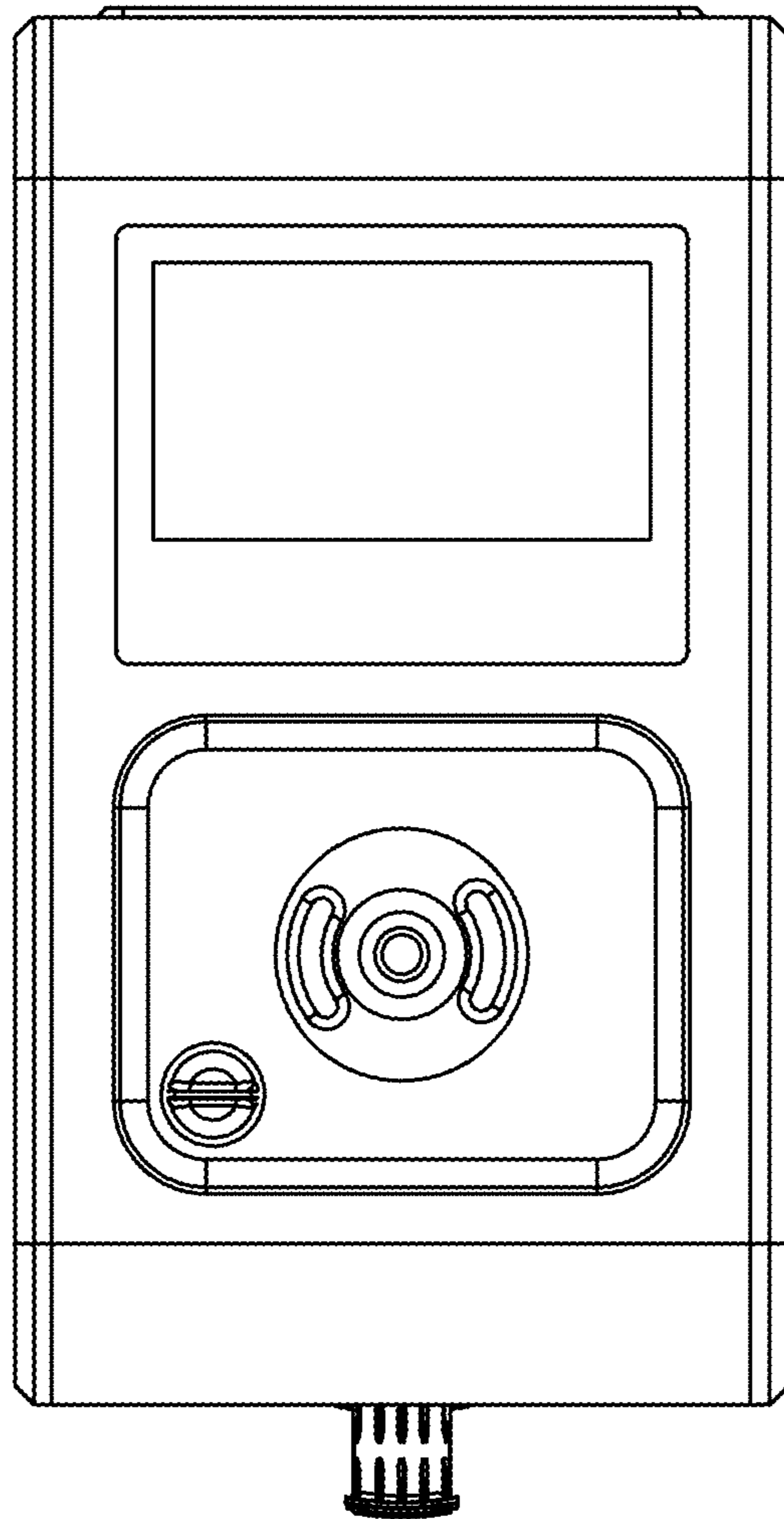


FIG. 7

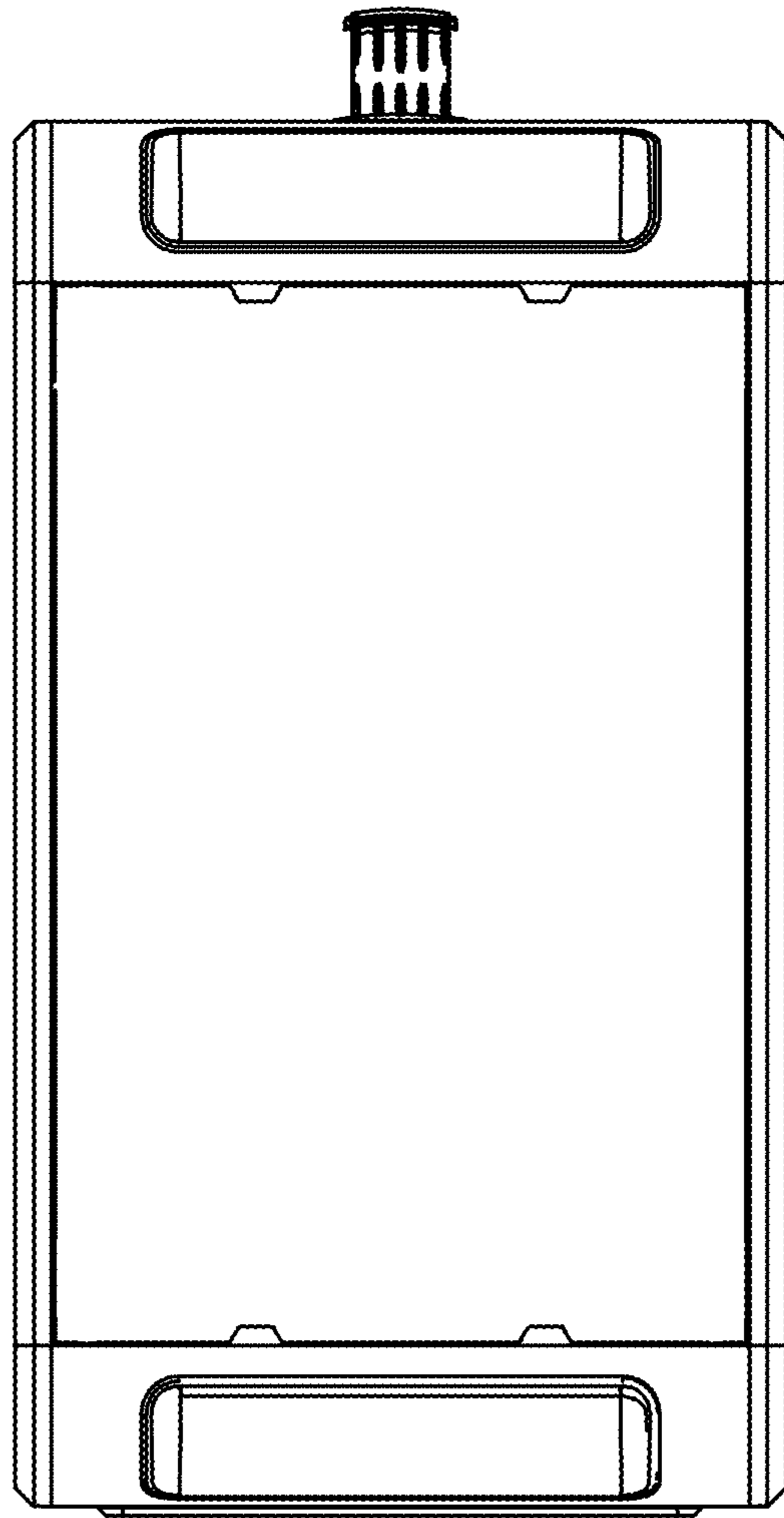


FIG. 8

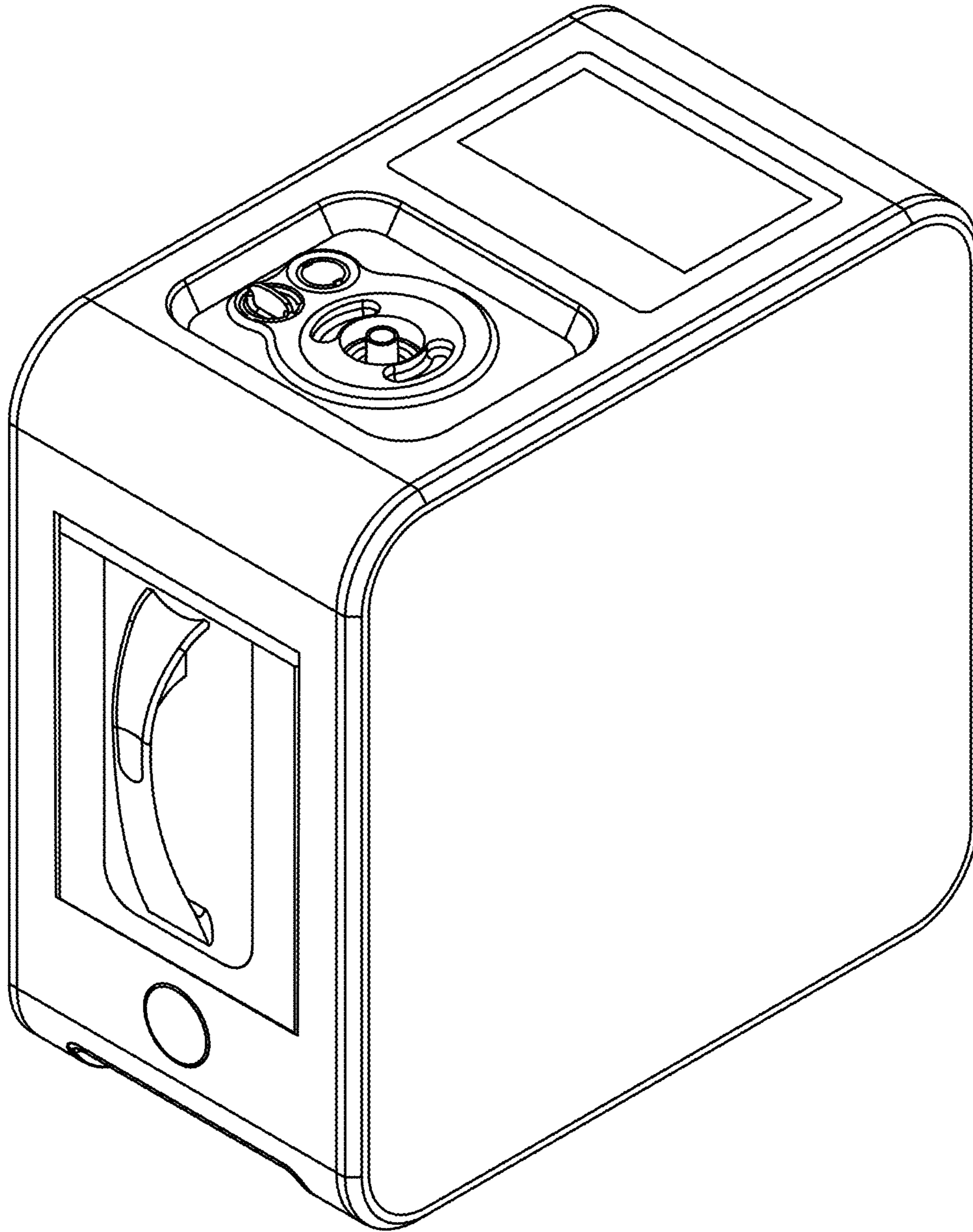


FIG. 9

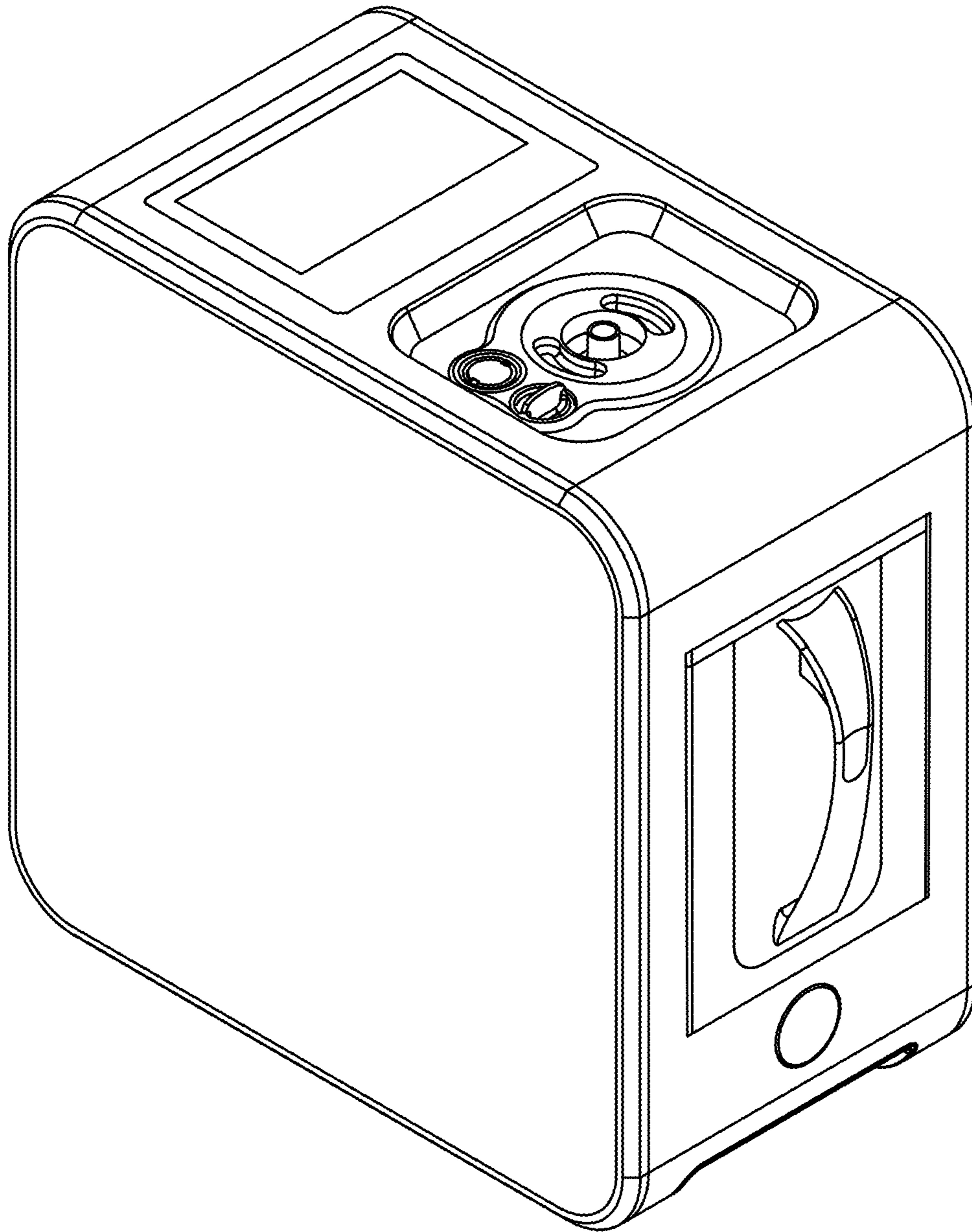


FIG. 10

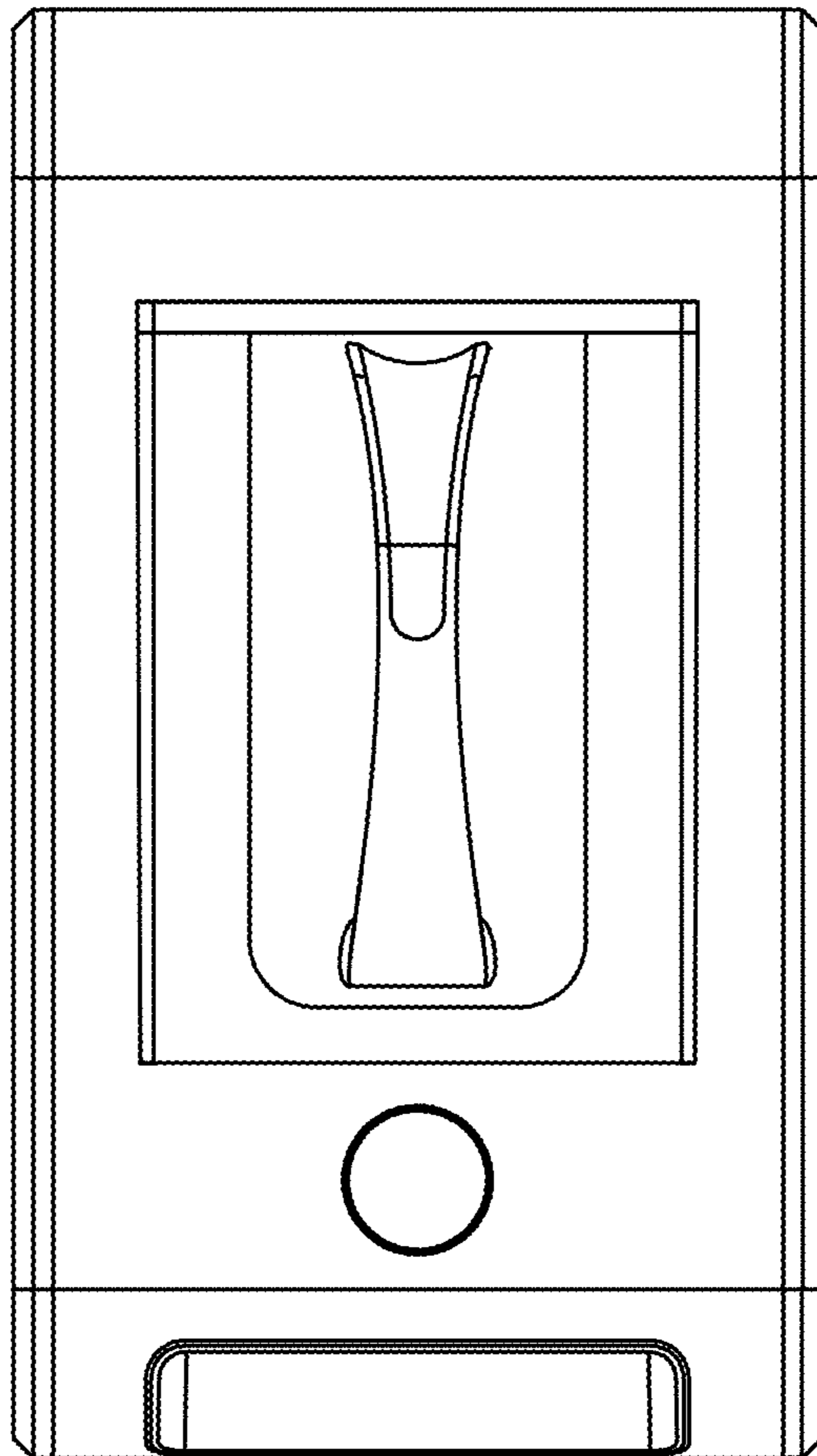


FIG. 11

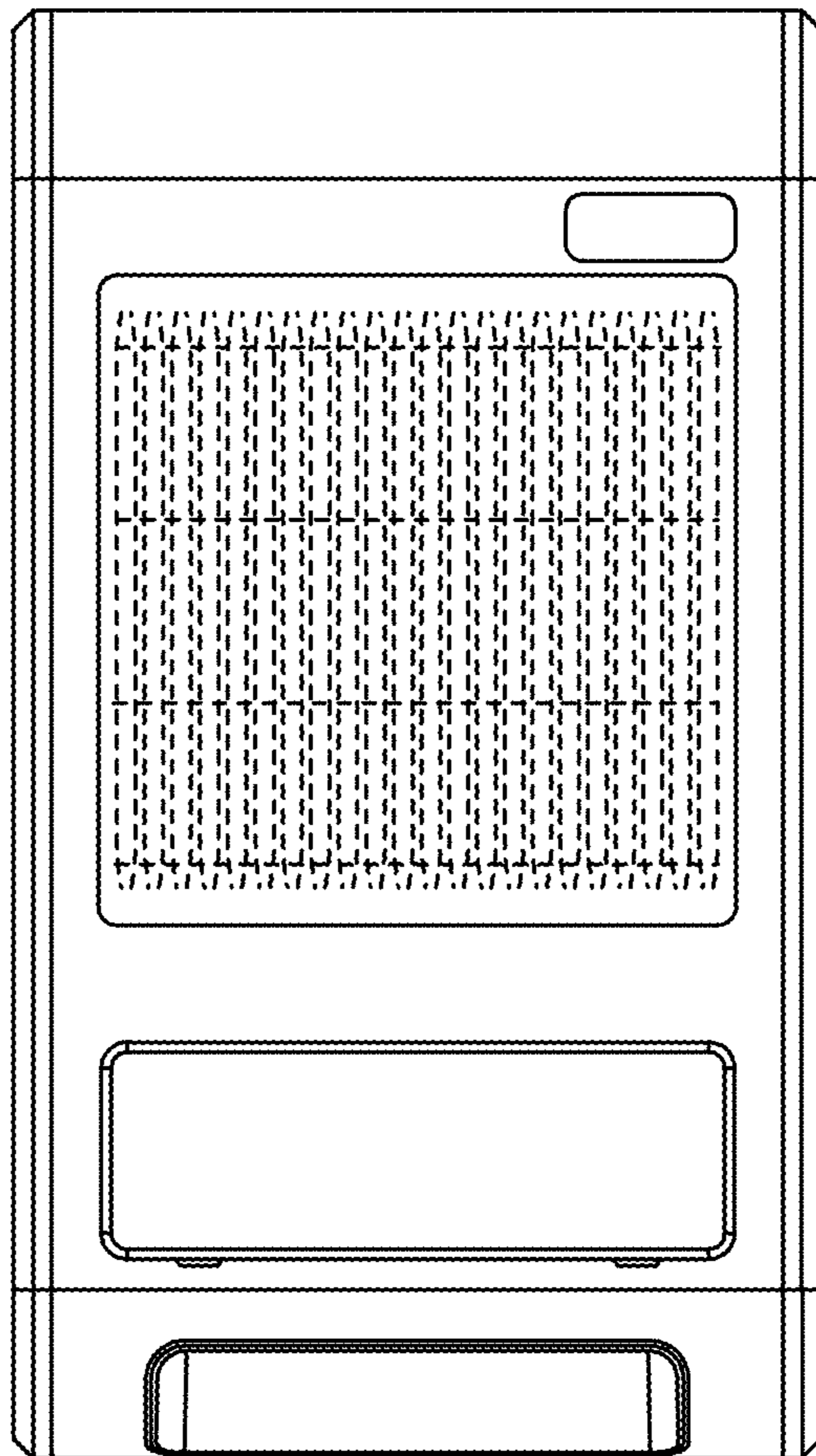


FIG. 12

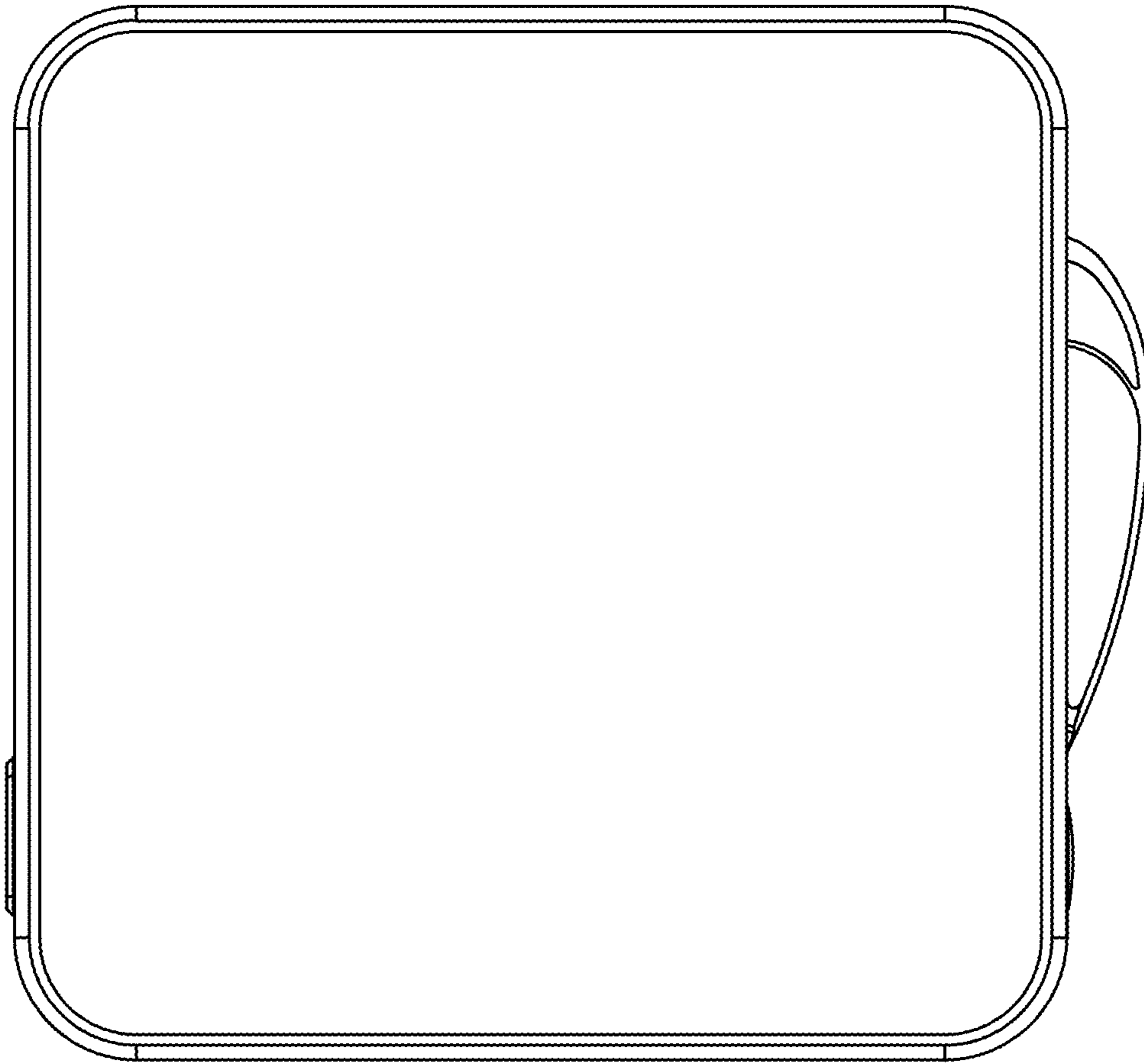


FIG. 13

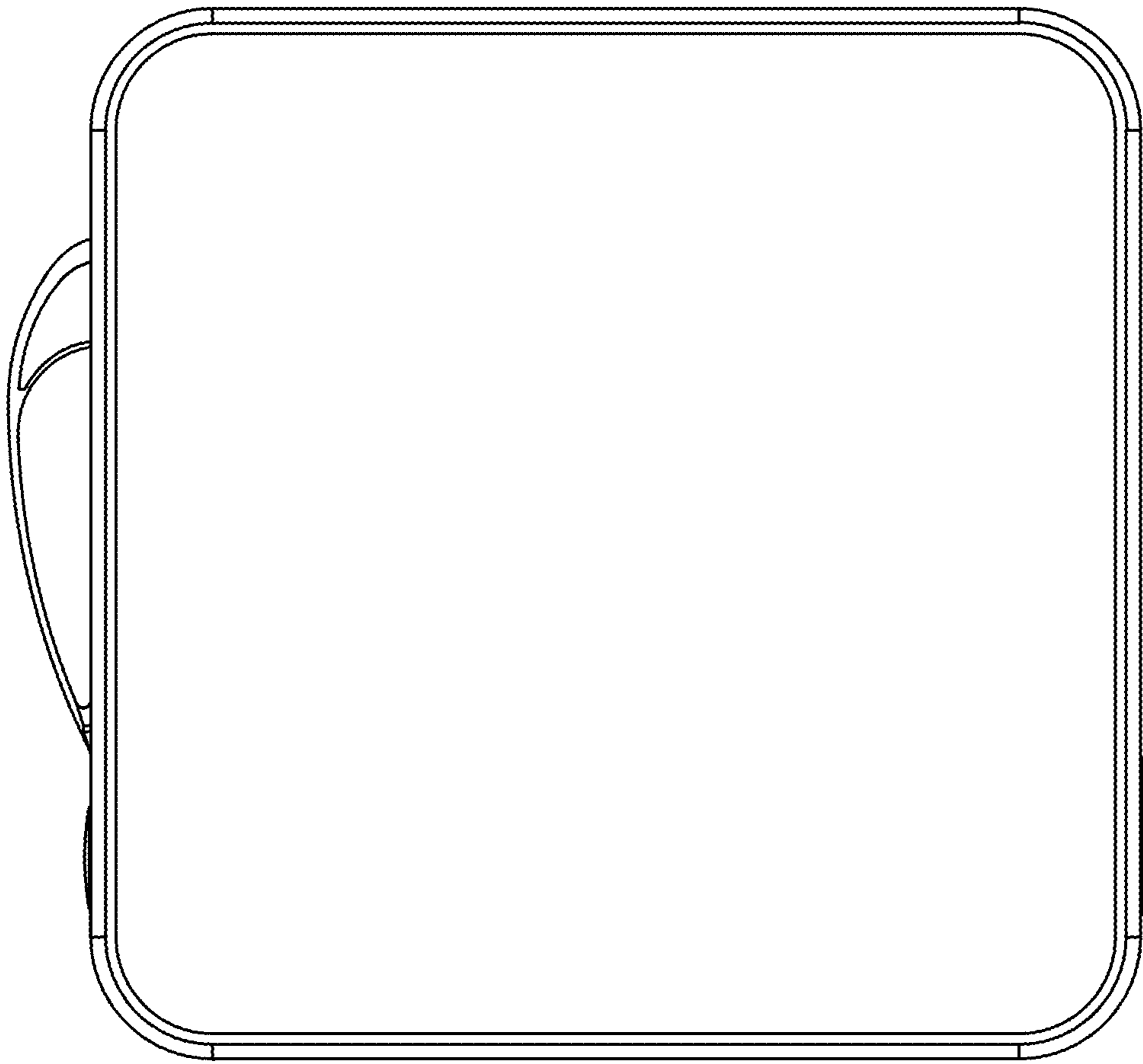


FIG. 14

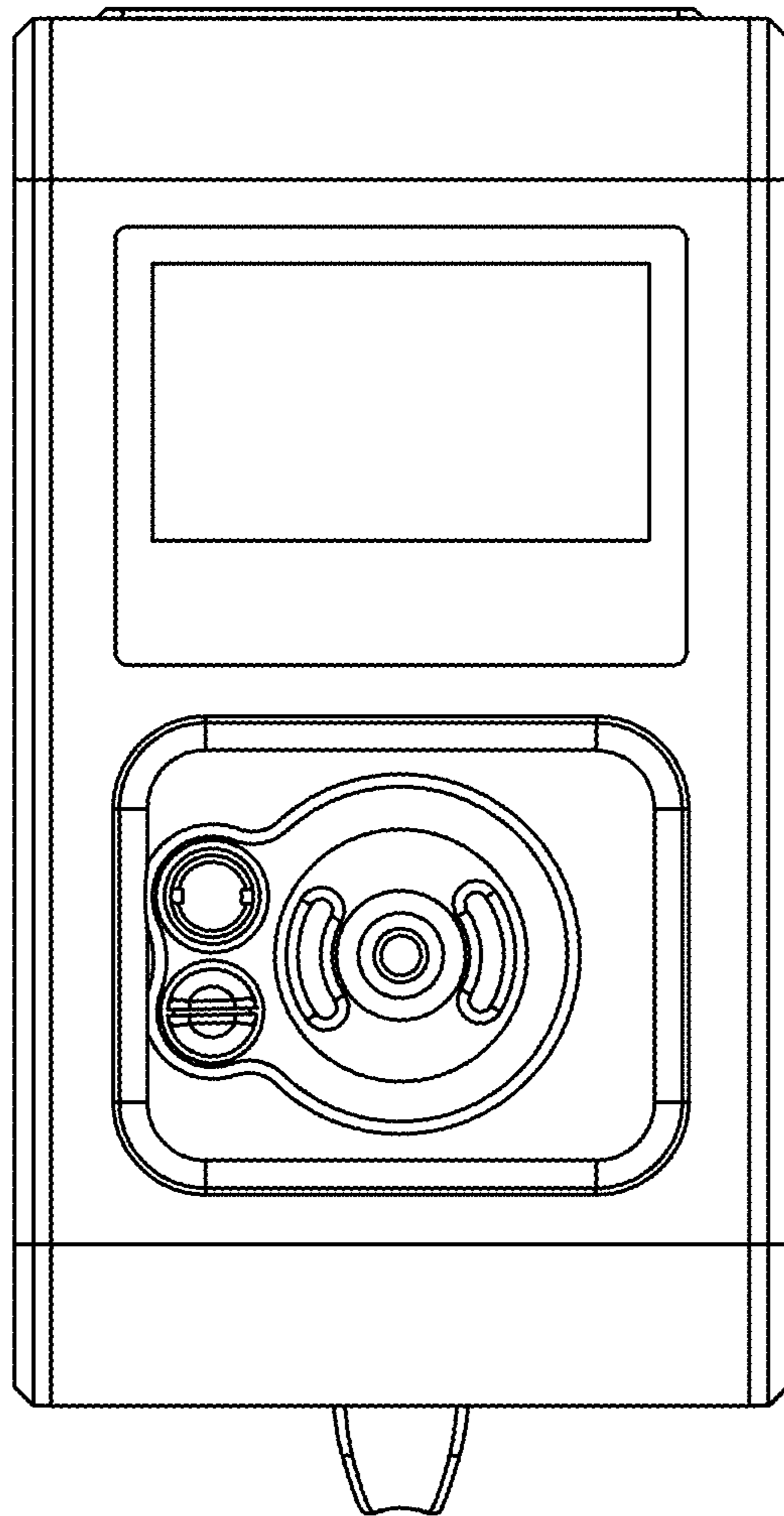


FIG. 15

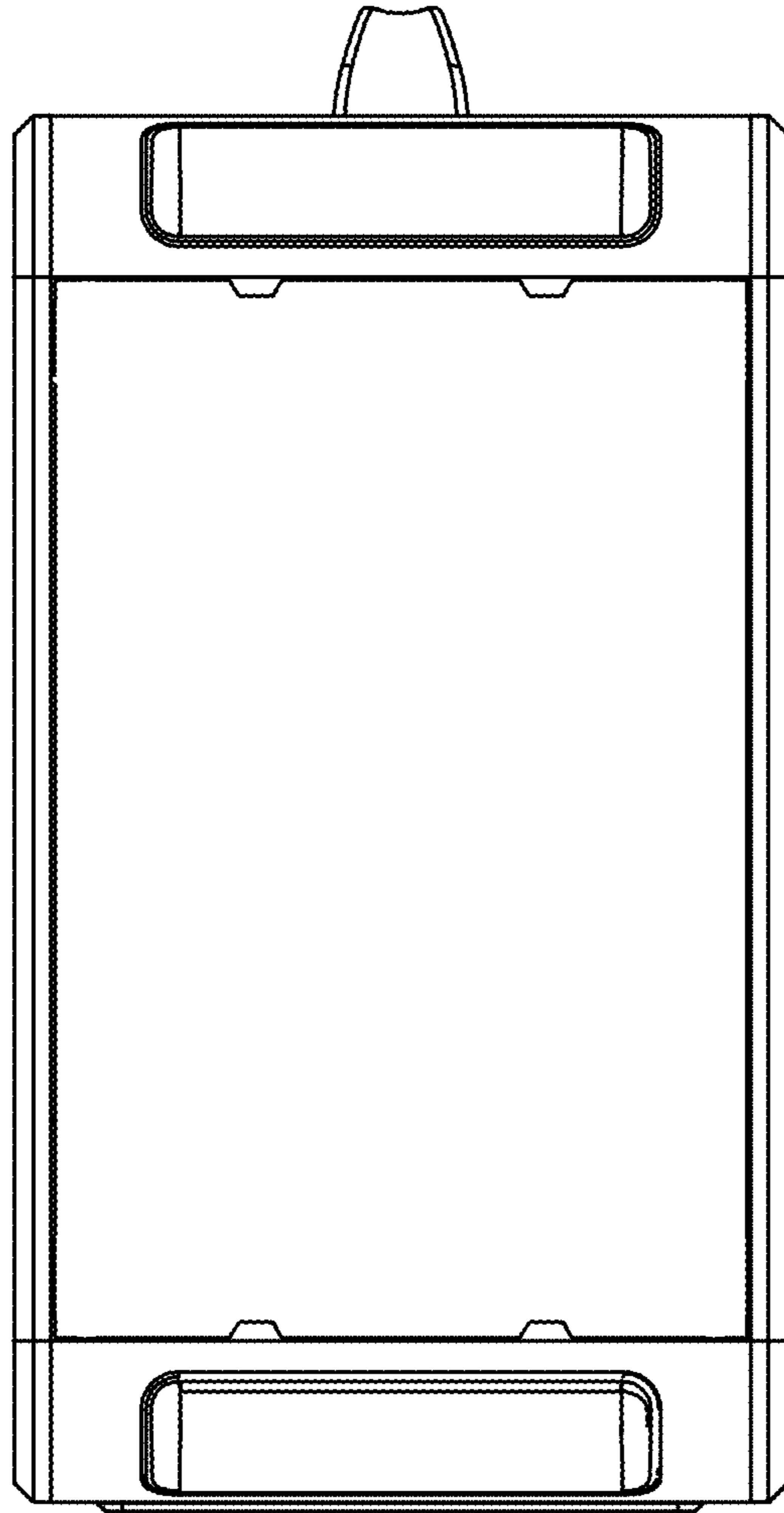


FIG. 16