

US00D960833S

(12) **United States Design Patent** (10) **Patent No.:** **US D960,833 S**
Murata et al. (45) **Date of Patent:** **** Aug. 16, 2022**

(54) **SEAL PLATE FOR ROTARY MACHINE**

FOREIGN PATENT DOCUMENTS

(71) Applicant: **Mitsubishi Hitachi Power Systems, Ltd.**, Yokohama (JP)

EP 1944472 A1 7/2008
FR 3020407 A1 10/2015

(Continued)

(72) Inventors: **Masahiro Murata**, Yokohama (JP);
Eiichi Tsutsumi, Yokohama (JP)

OTHER PUBLICATIONS

(73) Assignee: **MITSUBISHI POWER, LTD.**,
Yokohama (JP)

International Search Report and Written Opinion, dated Mar. 6, 2018, issued in International Application No. PCT/JP2017/044653 (14 pages; w/ English translation of ISR).

(Continued)

(**) Term: **15 Years**

(21) Appl. No.: **29/670,873**

Primary Examiner — Michael C Stout

Assistant Examiner — Fritzgerald L Butac

(22) Filed: **Nov. 20, 2018**

(74) *Attorney, Agent, or Firm* — WHDA, LLP

(30) **Foreign Application Priority Data**

(57) **CLAIM**

May 23, 2018 (JP) 2018-011237
May 23, 2018 (JP) 2018-011238

The ornament design for a seal plate for rotary machine, as shown and described.

DESCRIPTION

(51) **LOC (13) Cl.** **13-01**

(52) **U.S. Cl.**
USPC **D13/112**

(58) **Field of Classification Search**
USPC D15/5, 138; D13/101, 112–115, 118,
D13/122, 184
CPC F01D 11/00; F01D 11/006; F01D 5/081;
F01D 5/3015; F01D 5/326
See application file for complete search history.

FIG. 1 is a front view of a seal plate for a rotary machine in a first embodiment showing our new design.

FIG. 2 is a rear view thereof.

FIG. 3 is a left side view thereof.

FIG. 4 is a right side view thereof.

FIG. 5 is a top view thereof.

FIG. 6 is a bottom view thereof.

FIG. 7 is a perspective view thereof.

FIG. 8 is a cross-section view taken along line 8-8 in FIG. 1.

FIG. 9 is a front view of a seal plate for a rotary machine in a second embodiment showing our new design.

FIG. 10 is a rear view thereof.

FIG. 11 is a left side view thereof.

FIG. 12 is a right side view thereof.

FIG. 13 is a top view thereof.

FIG. 14 is a bottom view thereof; and,

FIG. 15 is a perspective view thereof.

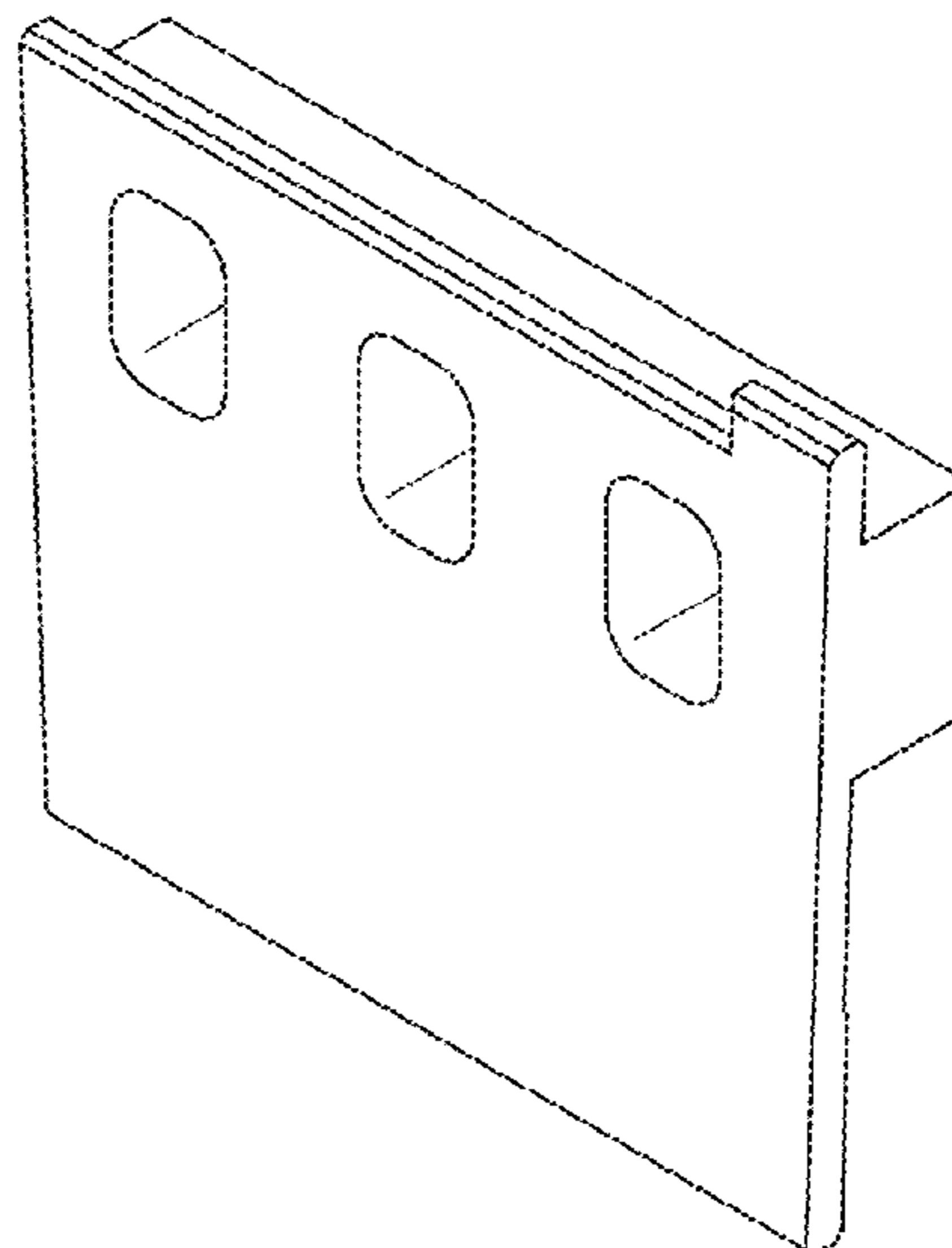
(56) **References Cited**

U.S. PATENT DOCUMENTS

D55,628 S * 7/1920 Mason D15/5
D59,397 S * 10/1921 Wilson D15/5
RE16,093 E * 6/1925 Wilson D15/143
3,501,249 A * 3/1970 Scalzo F01D 5/081
416/193 A
3,572,966 A * 3/1971 Borden F01D 5/081
415/177

(Continued)

1 Claim, 15 Drawing Sheets



(56)

References Cited

U.S. PATENT DOCUMENTS

3,748,060 A * 7/1973 Hugoson F01D 5/3015
 416/193 A
 D243,714 S * 3/1977 Younger D15/5
 4,279,572 A * 7/1981 Auriemma F01D 5/323
 416/220 R
 D353,768 S * 12/1994 Hayes D9/439
 D390,825 S * 2/1998 Chen D13/184
 D516,088 S * 2/2006 Kortyna D15/7
 D556,214 S * 11/2007 Fretwell D15/5
 D628,607 S * 12/2010 Irion D15/138
 D841,695 S * 2/2019 Pirollo D15/5
 D875,682 S * 2/2020 Joutsiniemi D13/115
 D917,587 S * 4/2021 Sauter D15/138
 D934,929 S * 11/2021 Kremerman D15/138
 D940,212 S * 1/2022 Meron D15/138
 2006/0073021 A1 * 4/2006 Garner F01D 5/323
 416/220 R
 2008/0008593 A1 * 1/2008 Zagar F01D 5/3015
 416/220 R
 2008/0173062 A1 * 7/2008 Brucher B21D 39/02
 29/889.22
 2013/0294927 A1 * 11/2013 Dimmick, III F01D 11/006
 29/525.01
 2015/0369062 A1 * 12/2015 Tanaka F01D 5/081
 29/889.21

FOREIGN PATENT DOCUMENTS

GB 2258273 A 2/1993
 JP S46-11683 B1 3/1971
 JP S48-37530 A 6/1973
 JP S48-25686 B1 7/1973
 JP S61-51406 U 4/1986
 JP 2007-32282 A 2/2007
 JP 2008-106765 A 5/2008
 JP 2013-234659 A 11/2013
 JP 2014-185552 A 10/2014
 WO 2014/148566 A1 9/2014
 WO 2015/129580 A1 9/2015

OTHER PUBLICATIONS

International Search Report and Written Opinion, dated Jan. 23, 2018, issued in International Application No. PCT/JP2017/044657 (19 pages; w/ English translation of ISR).

International Search Report and Written Opinion, dated Jan. 30, 2018, issued in International Application No. PCT/JP2017/044664 (11 pages; w/ English translation of ISR).

* cited by examiner

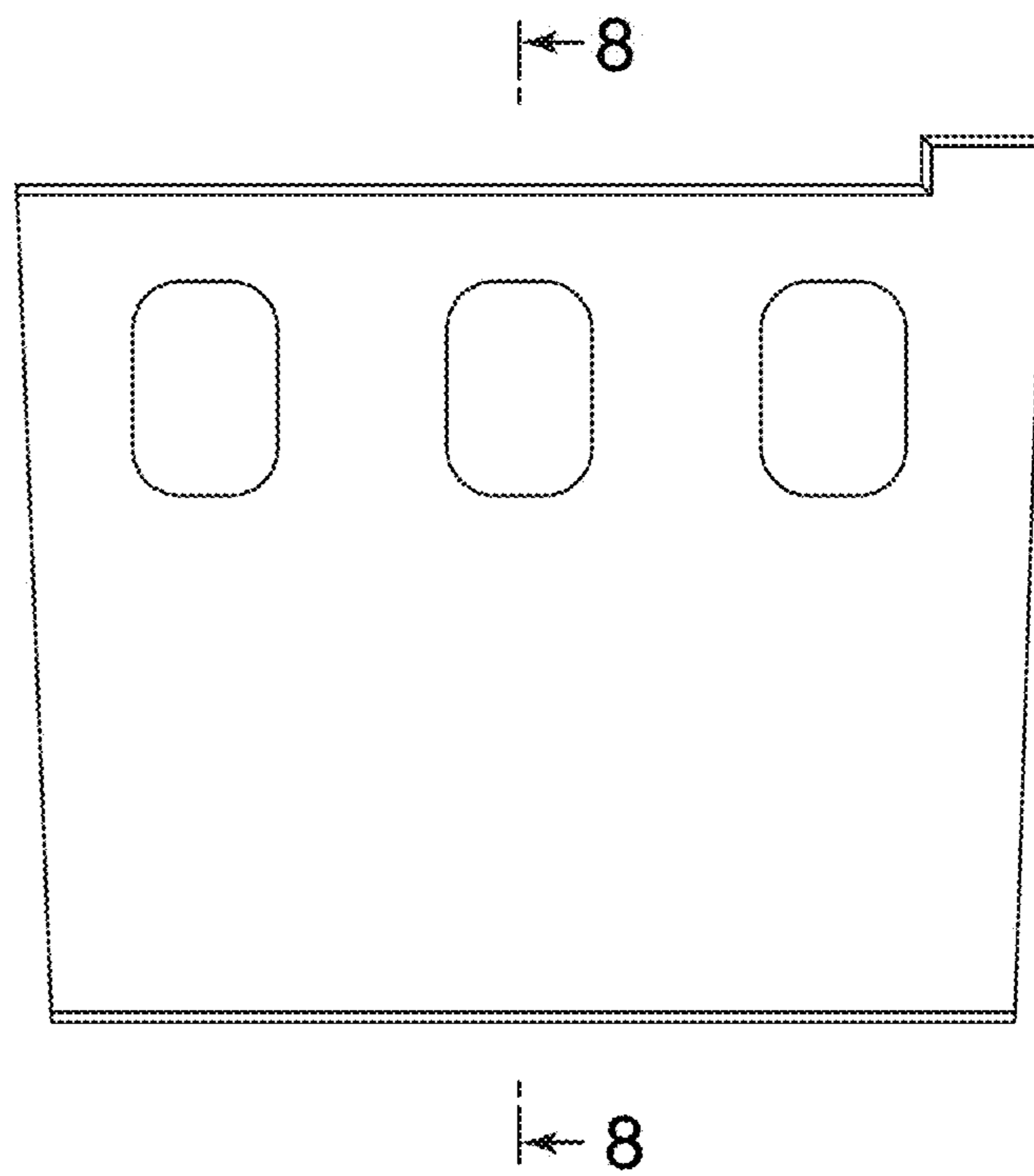


FIG. 1

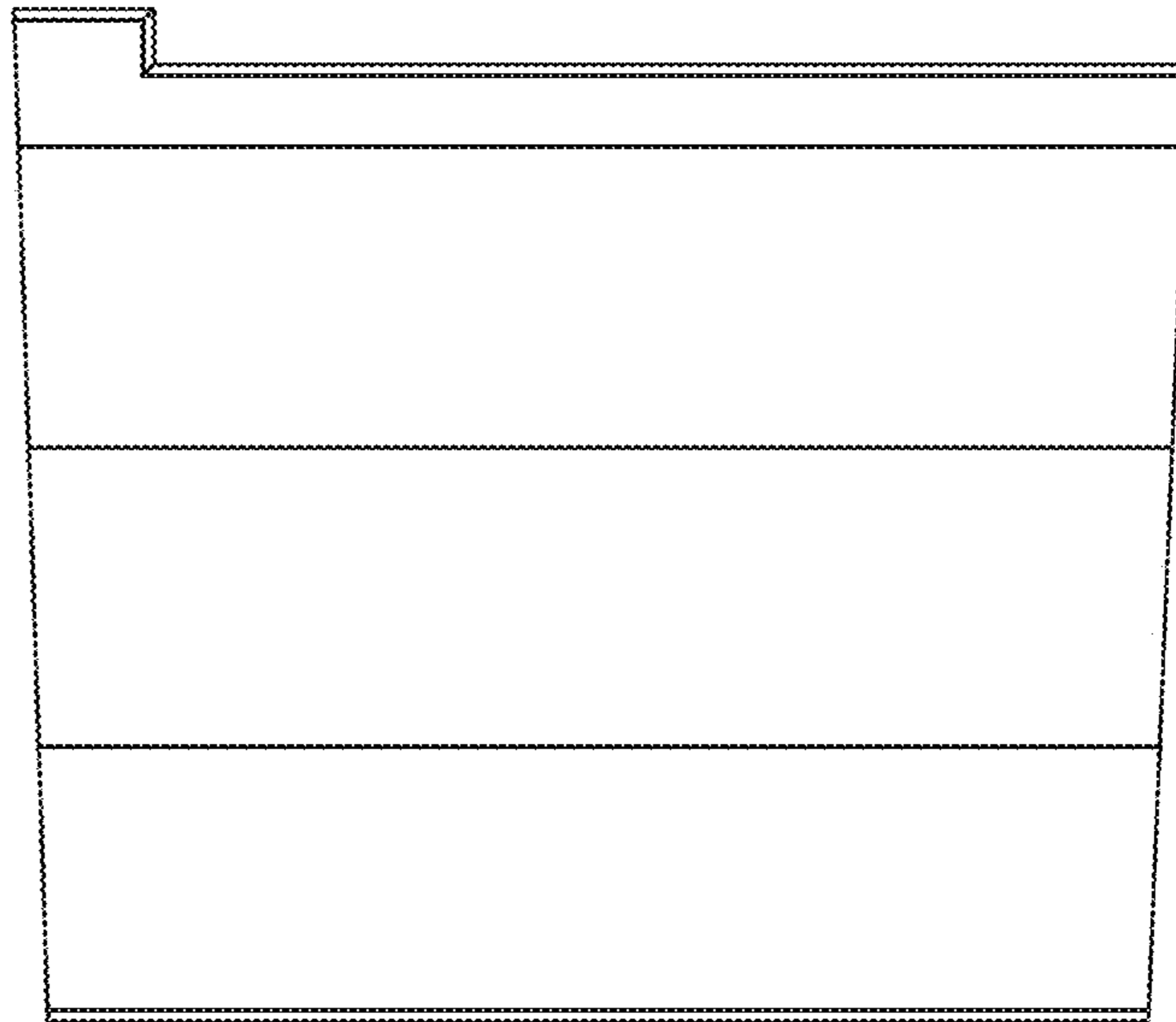


FIG. 2

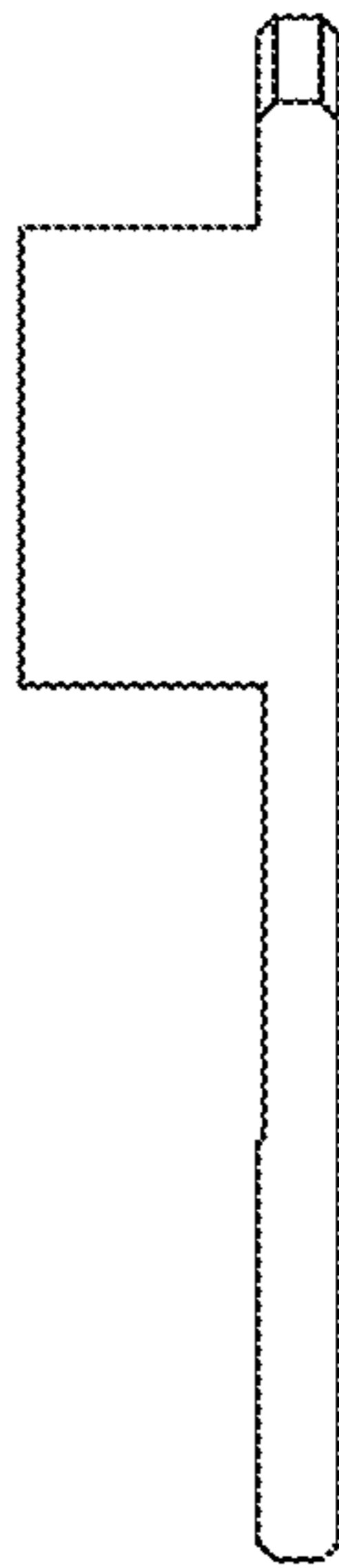


FIG. 3

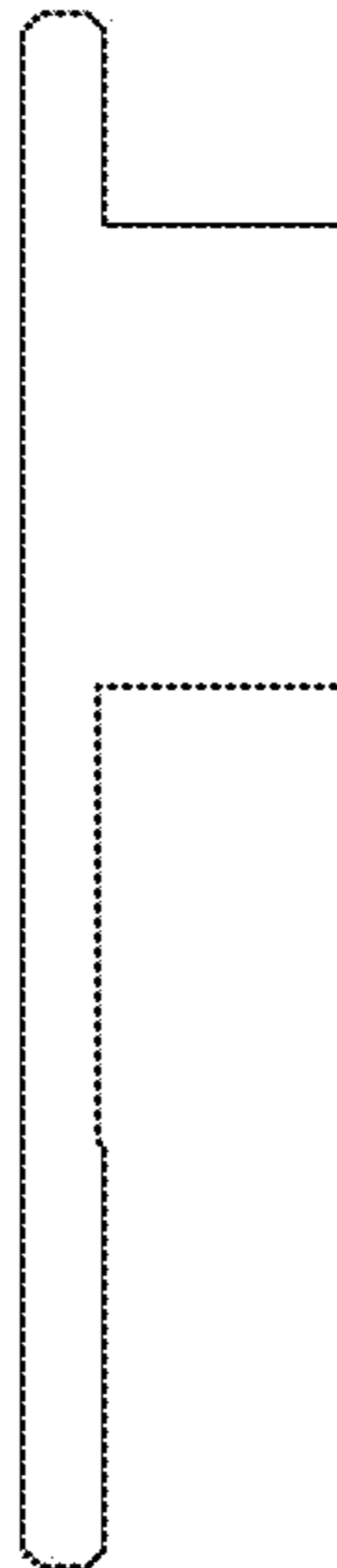


FIG. 4

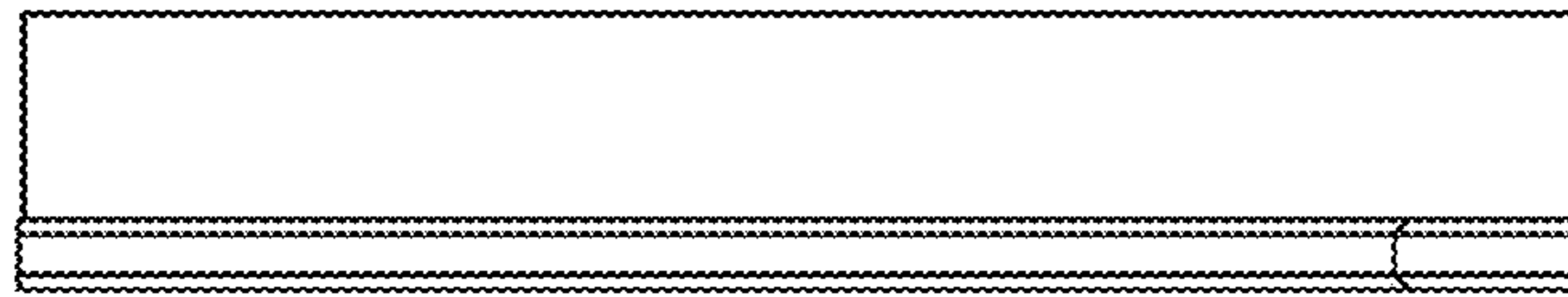


FIG. 5

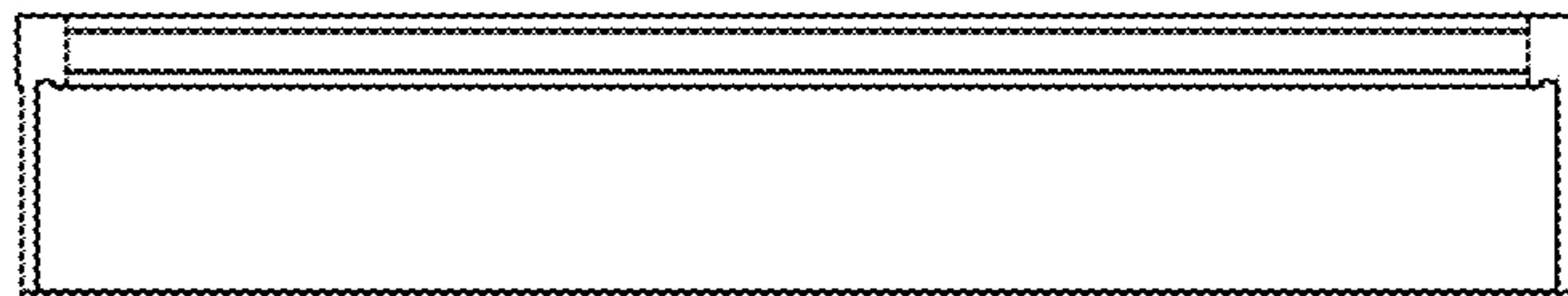


FIG. 6

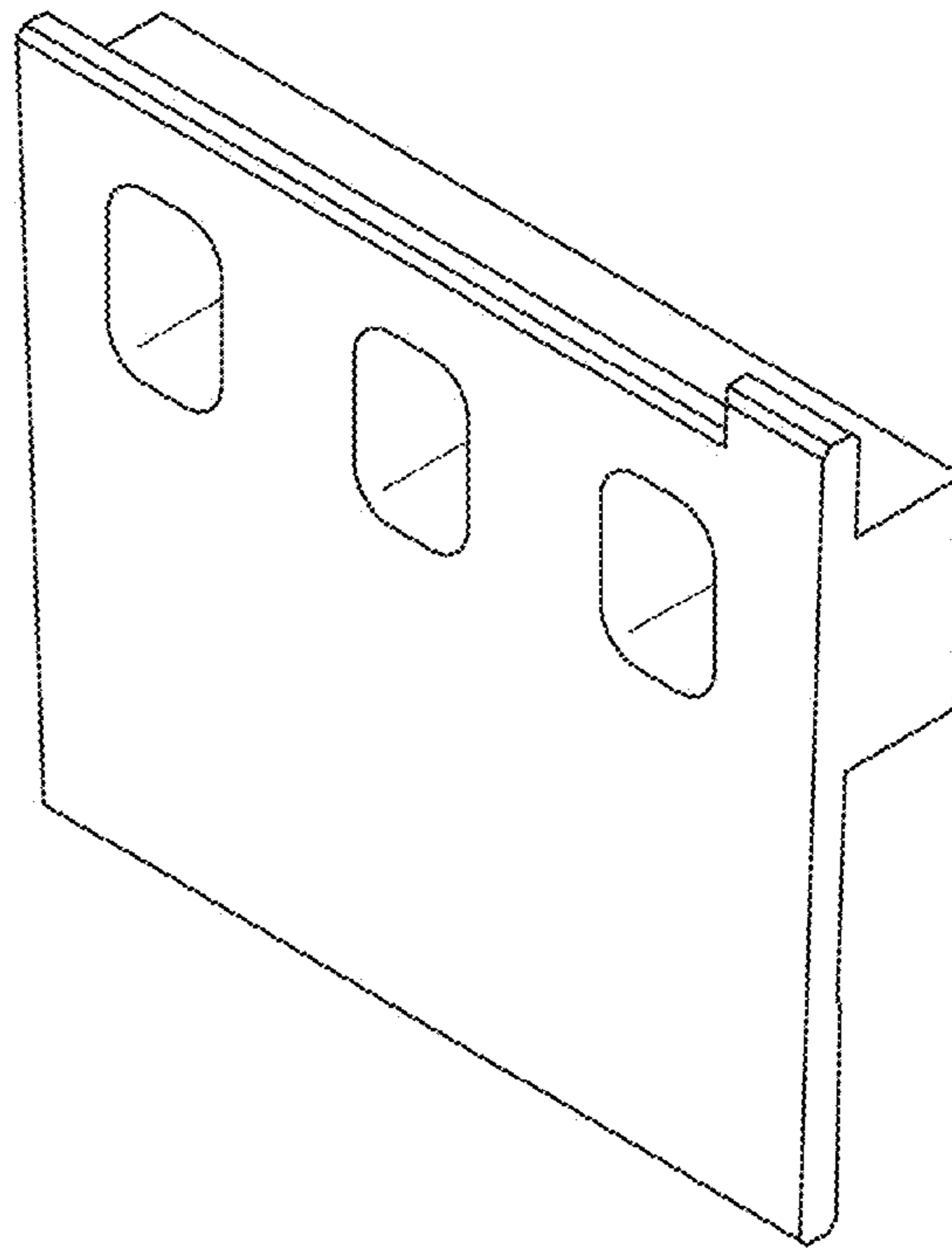


FIG. 7

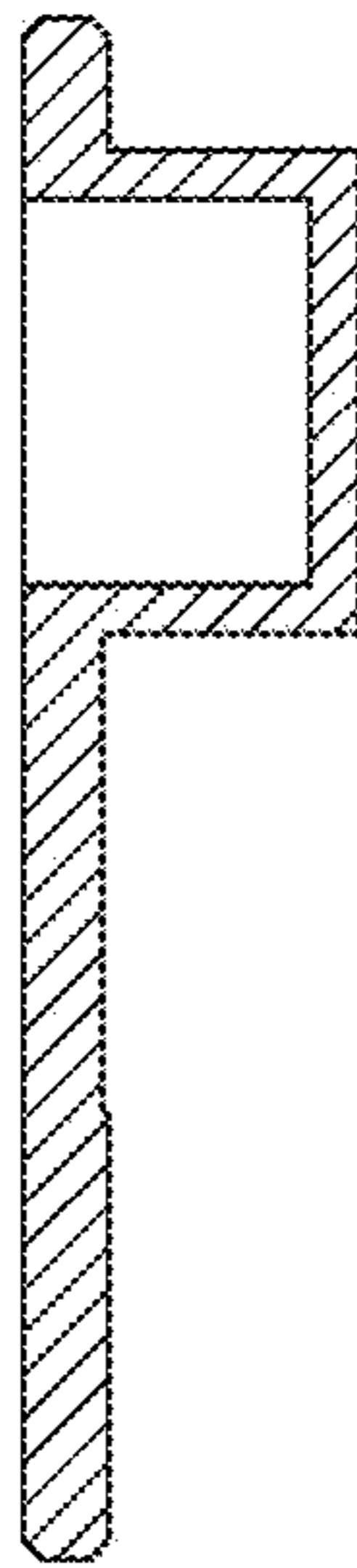


FIG. 8

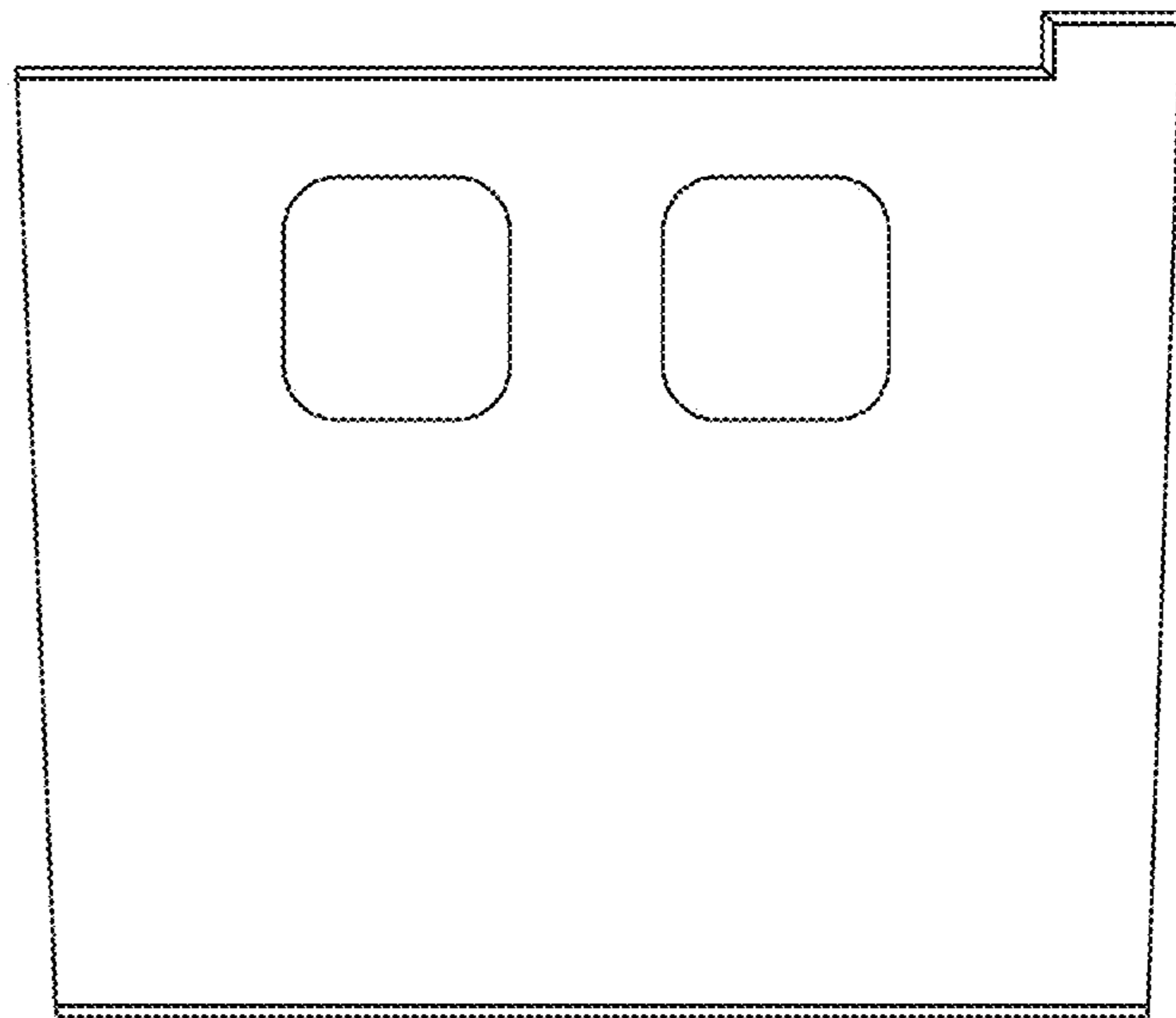


FIG. 9

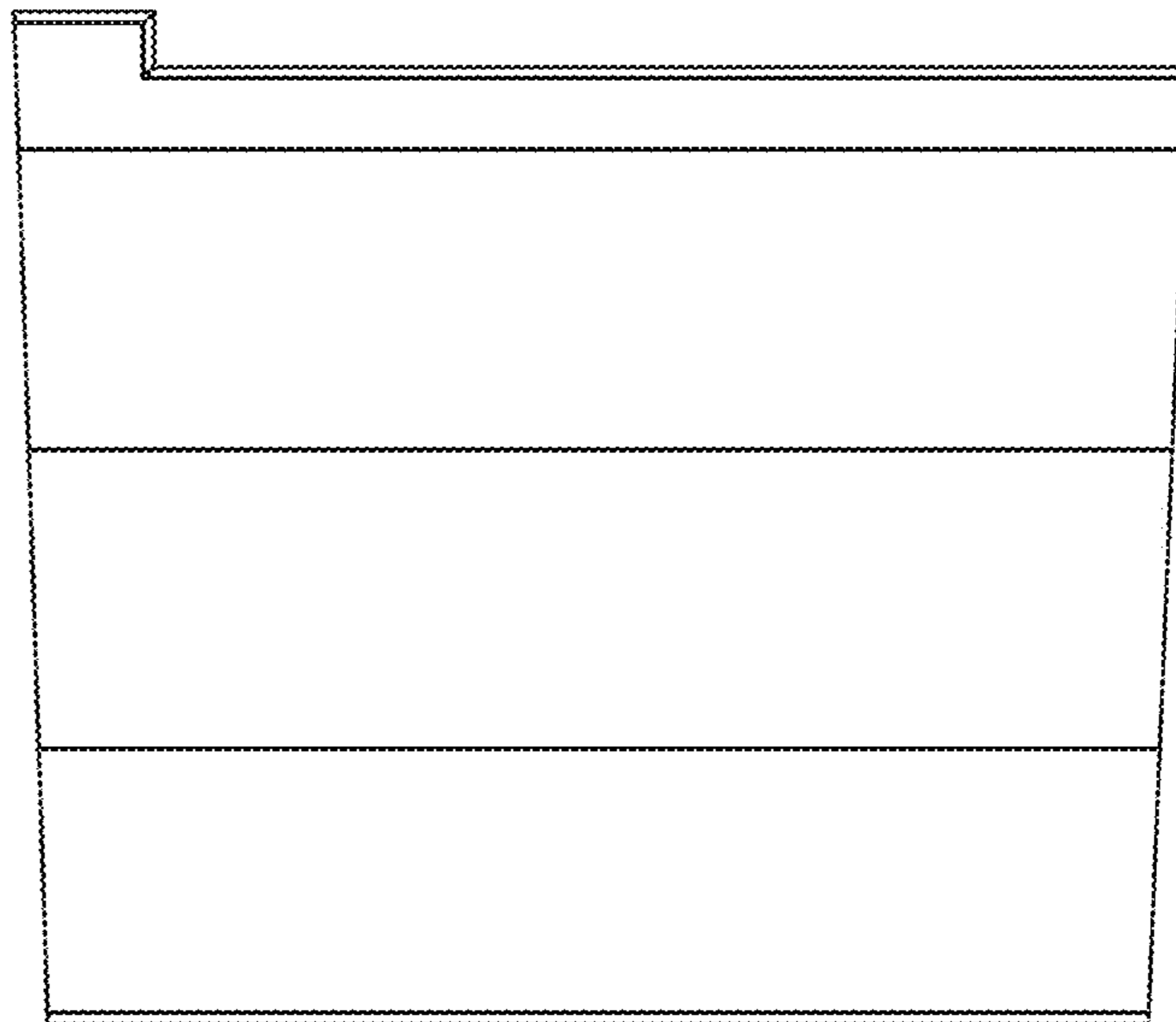


FIG. 10

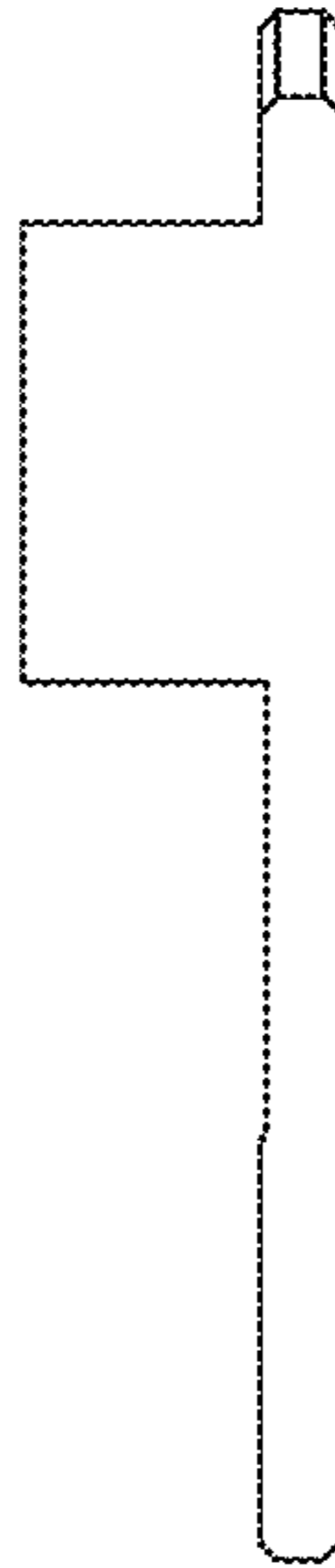


FIG. 11

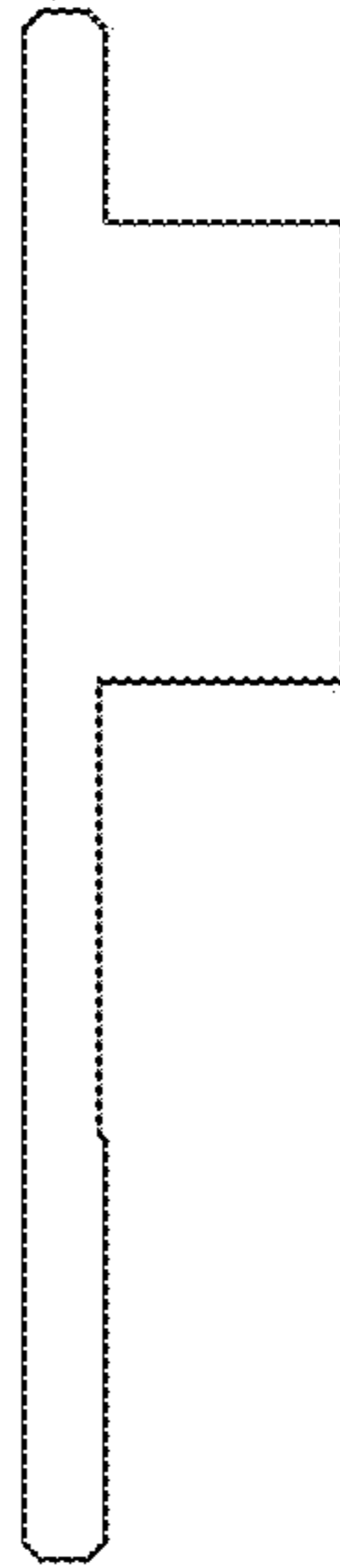


FIG. 12

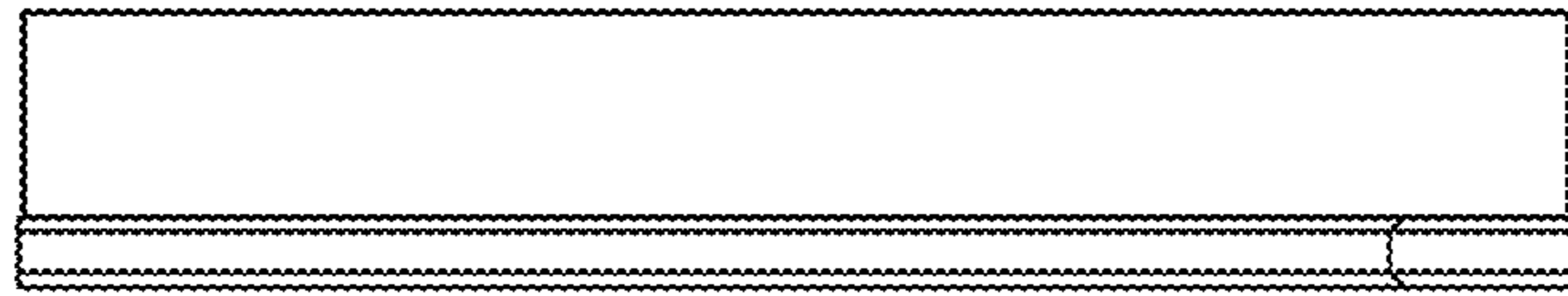


FIG. 13

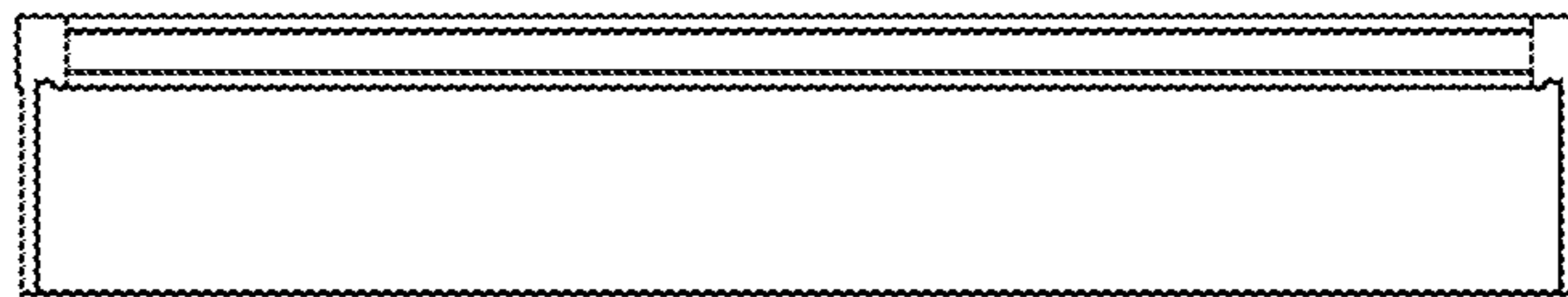


FIG. 14

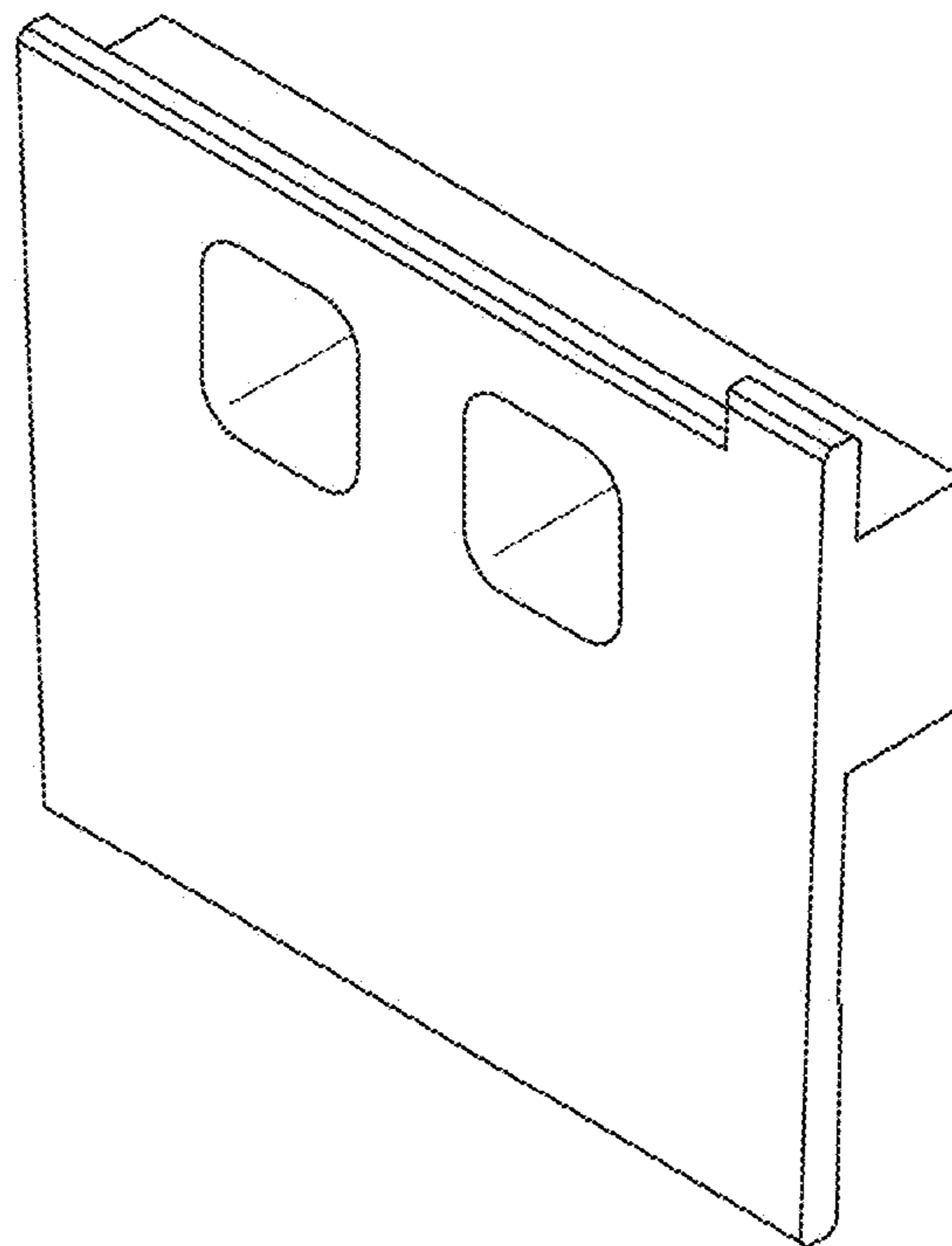


FIG. 15