



US00D960831S

(12) **United States Design Patent** (10) **Patent No.:** **US D960,831 S**  
**Yang** (45) **Date of Patent:** **\*\* Aug. 16, 2022**

(54) **POWER BANK FOR WATCH**  
(71) Applicant: **Chao Yang**, Shenzhen (CN)  
(72) Inventor: **Chao Yang**, Shenzhen (CN)  
(\*\*) Term: **15 Years**

D908,610 S \* 1/2021 Woo ..... D13/103  
D909,966 S \* 2/2021 Liao ..... D13/108  
D909,968 S \* 2/2021 Chen ..... D13/108  
D911,952 S \* 3/2021 Yin ..... D13/103  
D918,135 S \* 5/2021 Akana ..... D13/108  
D935,394 S \* 11/2021 Qiu ..... D13/108  
D941,761 S \* 1/2022 Liao ..... D13/110

(21) Appl. No.: **29/813,856**  
(22) Filed: **Nov. 2, 2021**  
(51) **LOC (13) Cl.** ..... **13-02**  
(52) **U.S. Cl.**  
USPC ..... **D13/108**  
(58) **Field of Classification Search**  
USPC ..... D13/103, 107, 108, 118–119, 183–184,  
D13/199; D14/432–434, 447  
CPC ..... H01R 12/592; H01R 13/46; H01R 13/62  
See application file for complete search history.

**OTHER PUBLICATIONS**

VogDUO 3-in-1 | appleinsider.com; published Jun. 15, 2022 [online].  
© 2022 Quiller Media, INC. [retrieved Jun. 15, 2022] from Internet:  
<<https://appleinsider.com/articles/22/06/15/charge-an-iphone-apple-watch-airpods-in-style-with-the-vogduo-3-in-1>> (Year: 2022).\*  
Pitaka MagEZ Slider | macsources.com; published Mar. 23, 2022  
[online]. © 2022 Macsources [retrieved Jun. 15, 2022] from Inter-  
net: <<https://macsources.com/pitaka-magez-slider-review/>> (Year:  
2022).\*

(Continued)

*Primary Examiner* — Katherine Glennon

(56) **References Cited**

**U.S. PATENT DOCUMENTS**

D81,731 S \* 7/1930 Schlacht ..... D10/37  
D531,520 S \* 11/2006 Joachim ..... D10/2  
D724,526 S \* 3/2015 Lee ..... D13/103  
D763,185 S \* 8/2016 Wen ..... D13/103  
D787,441 S \* 5/2017 Lee ..... D13/108  
D795,182 S \* 8/2017 Akana ..... D13/108  
D812,000 S \* 3/2018 Li ..... D13/103  
D817,269 S \* 5/2018 Sukphist ..... D13/103  
D822,599 S \* 7/2018 Zhong ..... D13/103  
D838,240 S \* 1/2019 Rostami ..... D13/103  
D839,185 S 1/2019 Jiang  
D839,823 S 2/2019 Lemelson et al.  
D842,803 S \* 3/2019 Nishizawa ..... D13/108  
D870,666 S \* 12/2019 Madsen ..... D13/108  
D871,324 S \* 12/2019 Roberts ..... D13/103  
D888,659 S \* 6/2020 Zhang ..... D13/108  
D903,588 S \* 12/2020 Shoemake ..... D13/103  
D905,629 S \* 12/2020 Sadot ..... D13/108

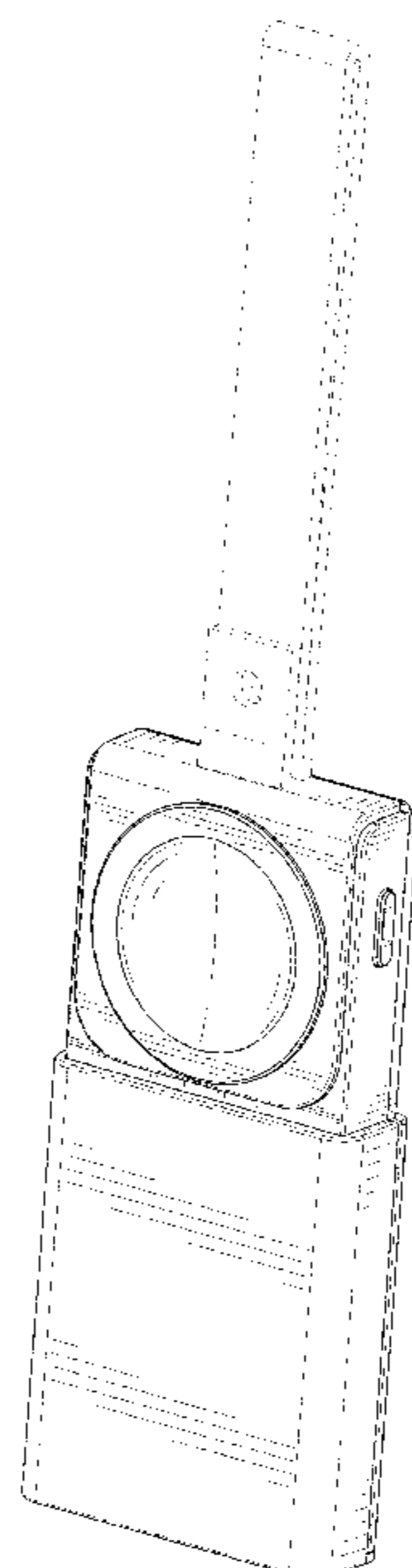
**CLAIM**

(57) The ornamental design for a power bank for watch, as shown and described.

**DESCRIPTION**

FIG. 1 is a perspective view of a power bank for watch showing my new design;  
FIG. 2 is another perspective view thereof;  
FIG. 3 is a front elevational view thereof;  
FIG. 4 is a rear elevational view thereof;  
FIG. 5 is a left side elevational view thereof;  
FIG. 6 is a right side elevational view thereof;  
FIG. 7 is a top plan view thereof; and,  
FIG. 8 is a bottom plan view thereof.  
The broken lines in the drawings depict portions of the power bank for watch that form no part of the claimed design.

**1 Claim, 8 Drawing Sheets**



(56)

**References Cited**

OTHER PUBLICATIONS

Belkin Valet Charger for Apple Watch | amazon.ca; date first available Dec. 20, 2016 [online]. © 1996-2022, Amazon.com, Inc [retrieved Jun. 15, 2022] from Internet: <<https://www.amazon.ca/Belkin-F8J201btSLV-Certified-Portable-Charger/dp/B01M7VNGXD>> (Year: 2016).\*

\* cited by examiner

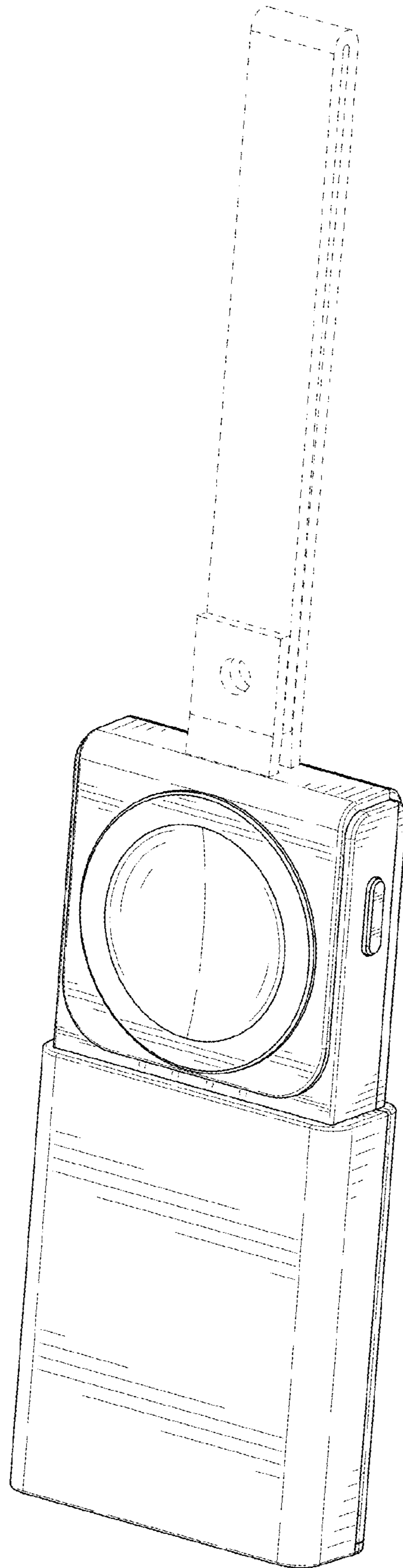


FIG. 1

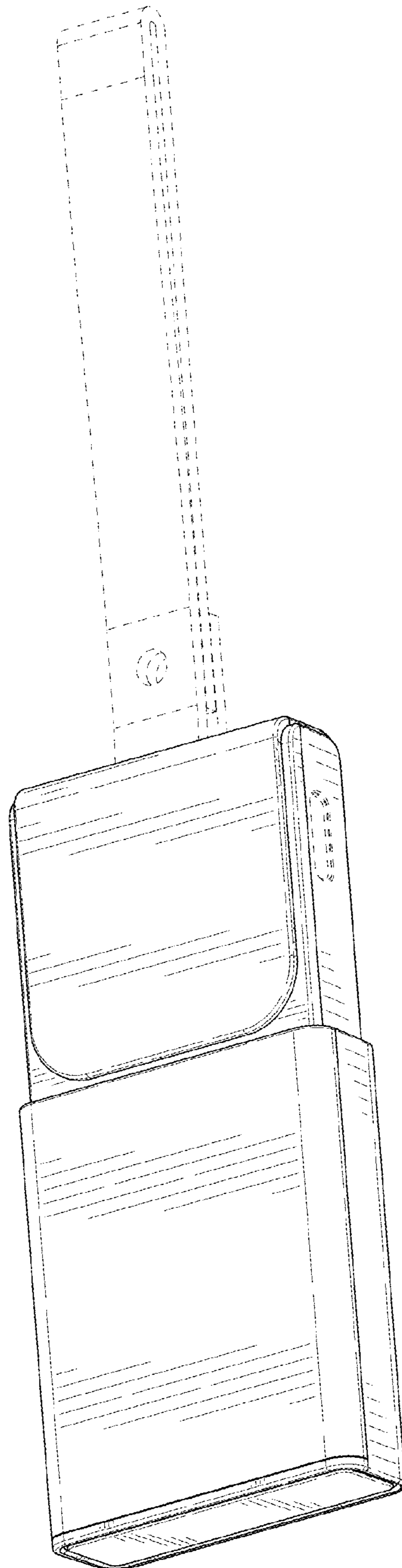


FIG. 2

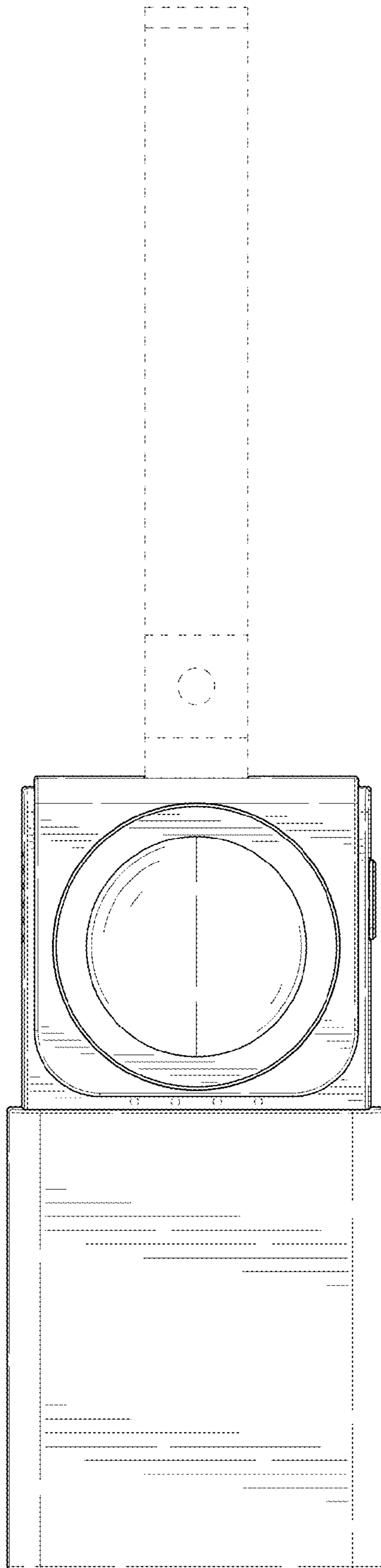


FIG. 3

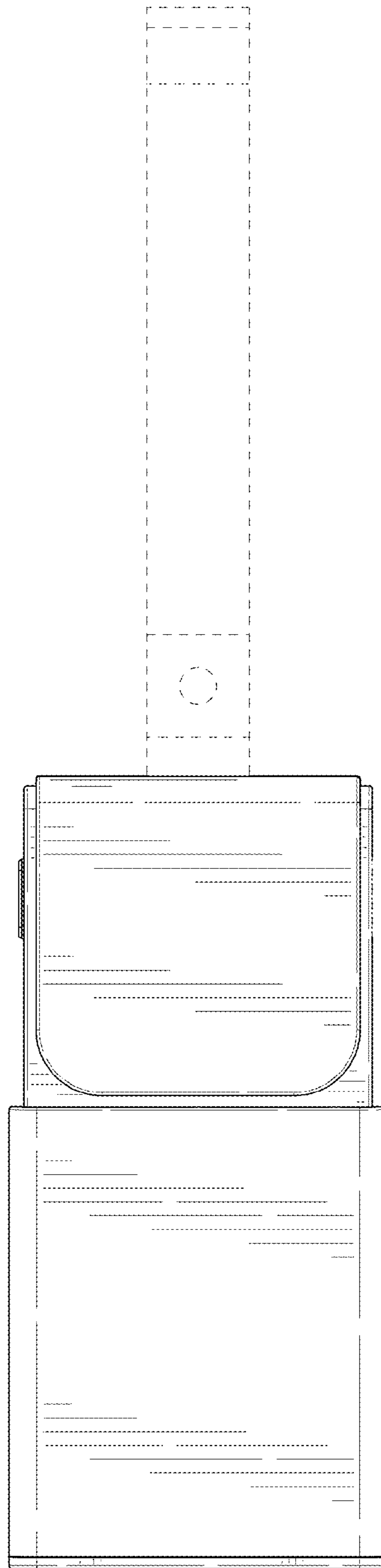


FIG. 4

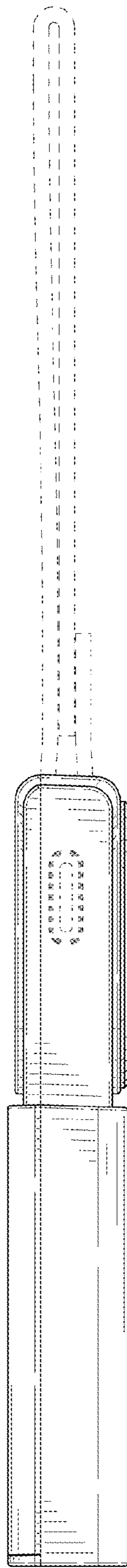


FIG. 5

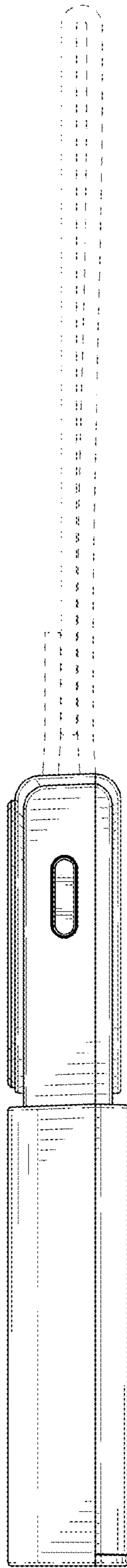


FIG. 6



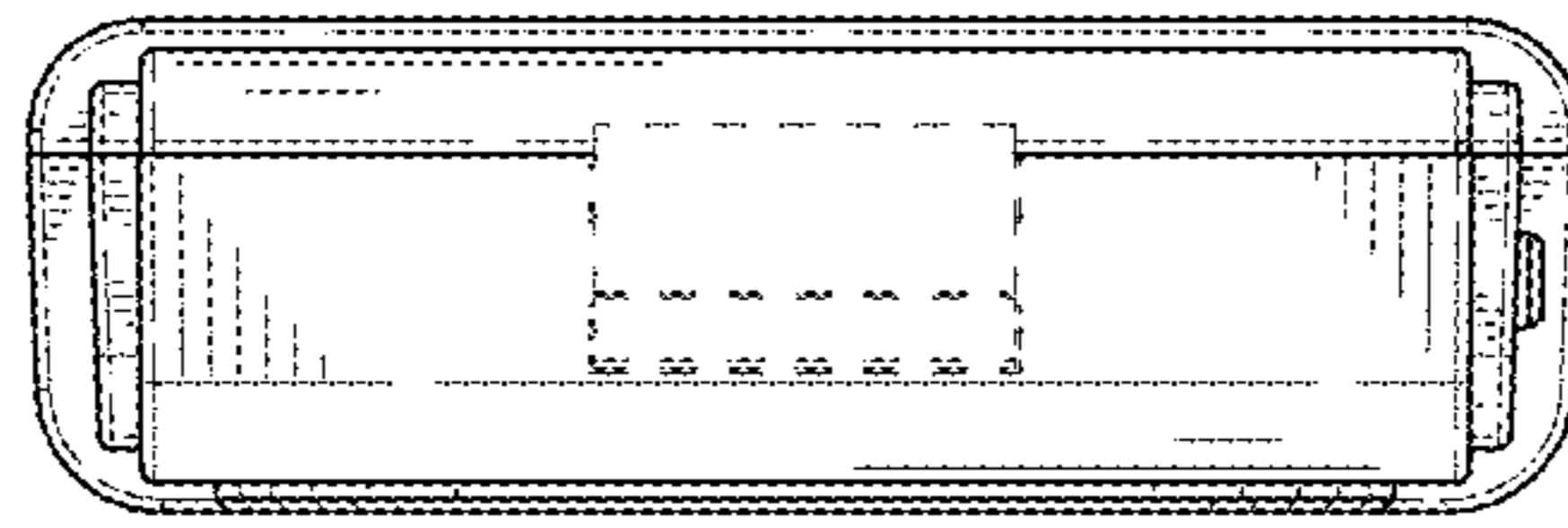


FIG. 7

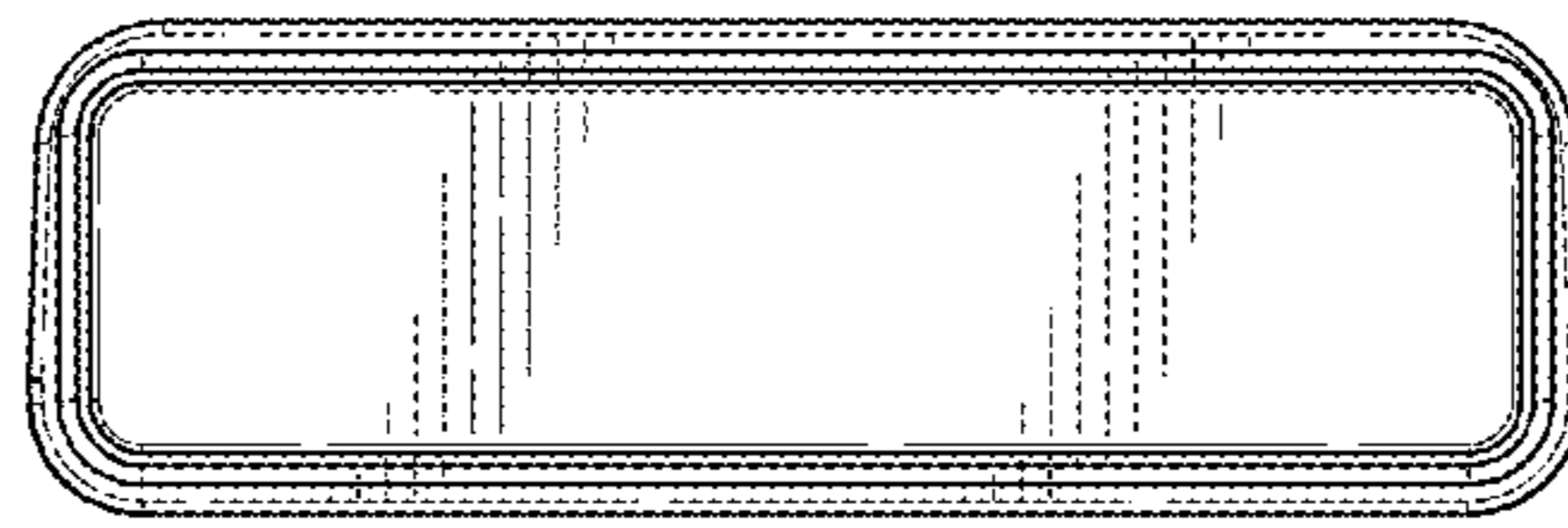


FIG. 8