

US00D960829S

(12) **United States Design Patent**
Akana et al.

(10) **Patent No.:** **US D960,829 S**

(45) **Date of Patent:** **** Aug. 16, 2022**

(54) **CASE**

(71) Applicant: **Apple Inc.**, Cupertino, CA (US)

(72) Inventors: **Jody Akana**, San Francisco, CA (US); **Molly Anderson**, San Francisco, CA (US); **Bartley K. Andre**, Palo Alto, CA (US); **Shota Aoyagi**, San Francisco, CA (US); **Anthony Michael Ashcroft**, San Francisco, CA (US); **Marine C. Bataille**, San Francisco, CA (US); **Jeremy Bataillou**, San Francisco, CA (US); **Daniel J. Coster**, San Francisco, CA (US); **Daniele De Iuliis**, San Francisco, CA (US); **Markus Diebel**, San Francisco, CA (US); **M. Evans Hankey**, San Francisco, CA (US); **Julian Hoenig**, San Francisco, CA (US); **Richard P. Howarth**, San Francisco, CA (US); **Jonathan P. Ive**, San Francisco, CA (US); **Julian Jaede**, San Francisco, CA (US); **Duncan Robert Kerr**, San Francisco, CA (US); **Peter Russell-Clarke**, San Francisco, CA (US); **Benjamin Andrew Shaffer**, San Jose, CA (US); **Mikael Silvanto**, San Francisco, CA (US); **Christopher J. Stringer**, Woodside, CA (US); **Joe Sung-Ho Tan**, San Francisco, CA (US); **Clement Tissandier**, San Francisco, CA (US); **Eugene Antony Whang**, San Francisco, CA (US); **Rico Zörkendörfer**, San Francisco, CA (US)

(73) Assignee: **Apple Inc.**, Cupertino, CA (US)

(**) Term: **15 Years**

(21) Appl. No.: **29/752,516**

(22) Filed: **Sep. 28, 2020**

Related U.S. Application Data

(63) Continuation of application No. 29/726,068, filed on Feb. 28, 2020, now Pat. No. Des. 897,291, which is

a continuation of application No. 29/692,476, filed on May 24, 2019, now Pat. No. Des. 878,045, which is a continuation of application No. 29/594,338, filed on Feb. 17, 2017, now Pat. No. Des. 849,401, which is a continuation of application No. 29/576,707, filed on Sep. 6, 2016, now Pat. No. Des. 806,388.

(51) **LOC (13) Cl.** **13-02**

(52) **U.S. Cl.**
USPC **D13/108**; D14/223

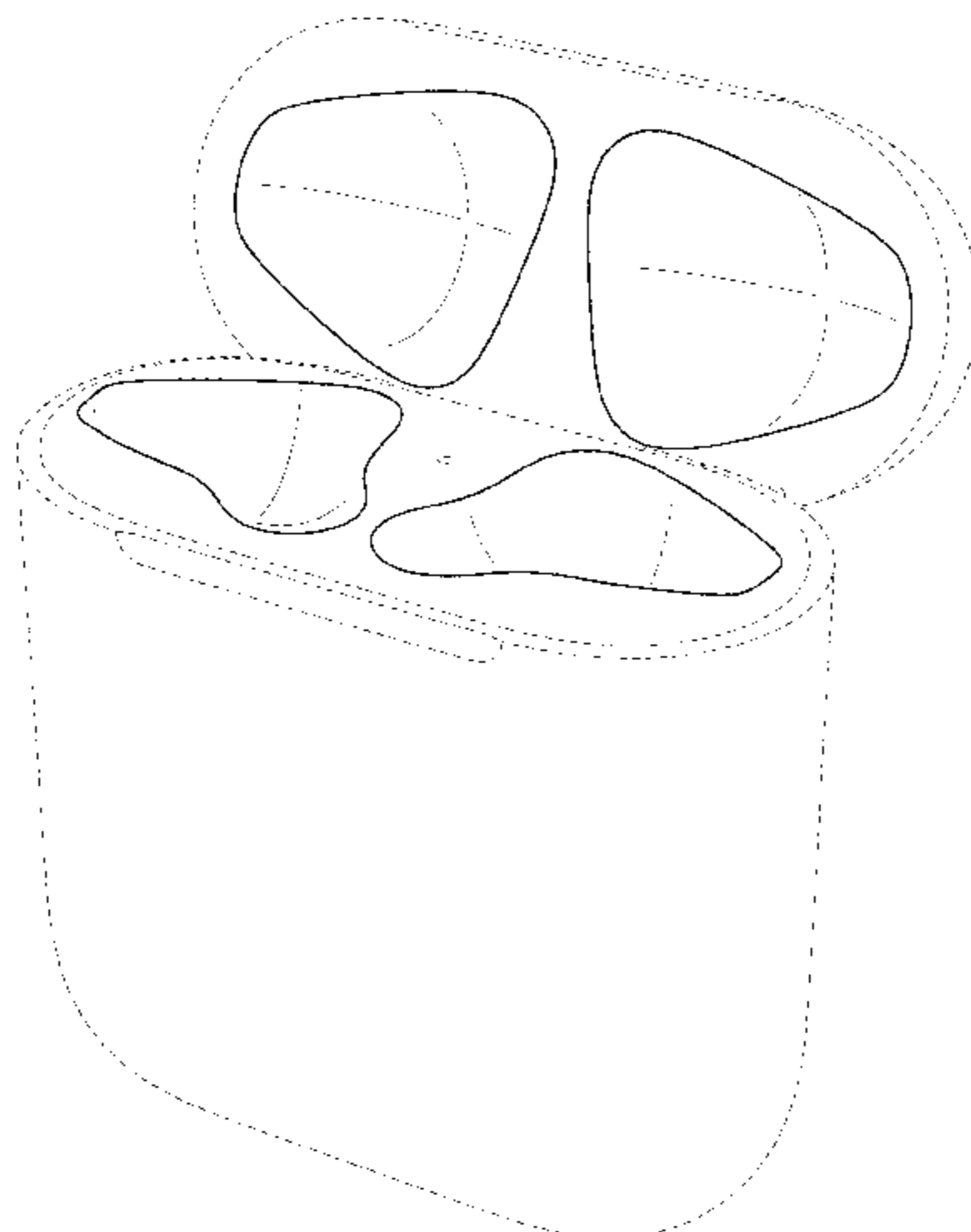
(58) **Field of Classification Search**
USPC D3/201, 208, 212, 218, 273, 274, 294, D3/302; D14/223, 496, 205; D13/118, D13/108

CPC H04R 1/1025; A45C 2011/001
See application file for complete search history.

(56) **References Cited**

U.S. PATENT DOCUMENTS

228,598 A	6/1880	Buckley
3,246,815 A	4/1966	Philip et al.
D245,818 S	9/1977	Persson
D281,281 S	11/1985	Norma
D285,687 S	9/1986	Manock et al.
D291,947 S	9/1987	Nakata
D306,519 S	3/1990	Nakata
D310,480 S	9/1990	Geiger
D312,629 S	12/1990	Esslinger
D322,752 S	12/1991	Jorg
D339,215 S	9/1993	John, Jr.
D342,676 S	12/1993	Klaus
D349,644 S	8/1994	Miyairi et al.
D356,828 S	3/1995	Harris et al.
D364,708 S	11/1995	Tarrson et al.
D367,608 S	3/1996	Lucas
D380,355 S	7/1997	Wayne
D399,604 S	10/1998	Douglas
D404,201 S	1/1999	Wennerstrom
D419,133 S	1/2000	Yoshida et al.
D422,139 S	4/2000	Howard
D426,950 S	6/2000	Conway
D427,424 S	7/2000	Conway
D436,434 S	1/2001	Conway
D463,907 S	10/2002	Lemoine
D464,941 S	10/2002	Latto et al.
D467,799 S	12/2002	Persson
D475,282 S	6/2003	Snaith et al.
D478,546 S	8/2003	Andre et al.



The broken lines in the figures show portions of the case and environment that form no part of the claimed design.
The cross-hatching in FIG. 8 forms no part of the claimed design.

1 Claim, 9 Drawing Sheets

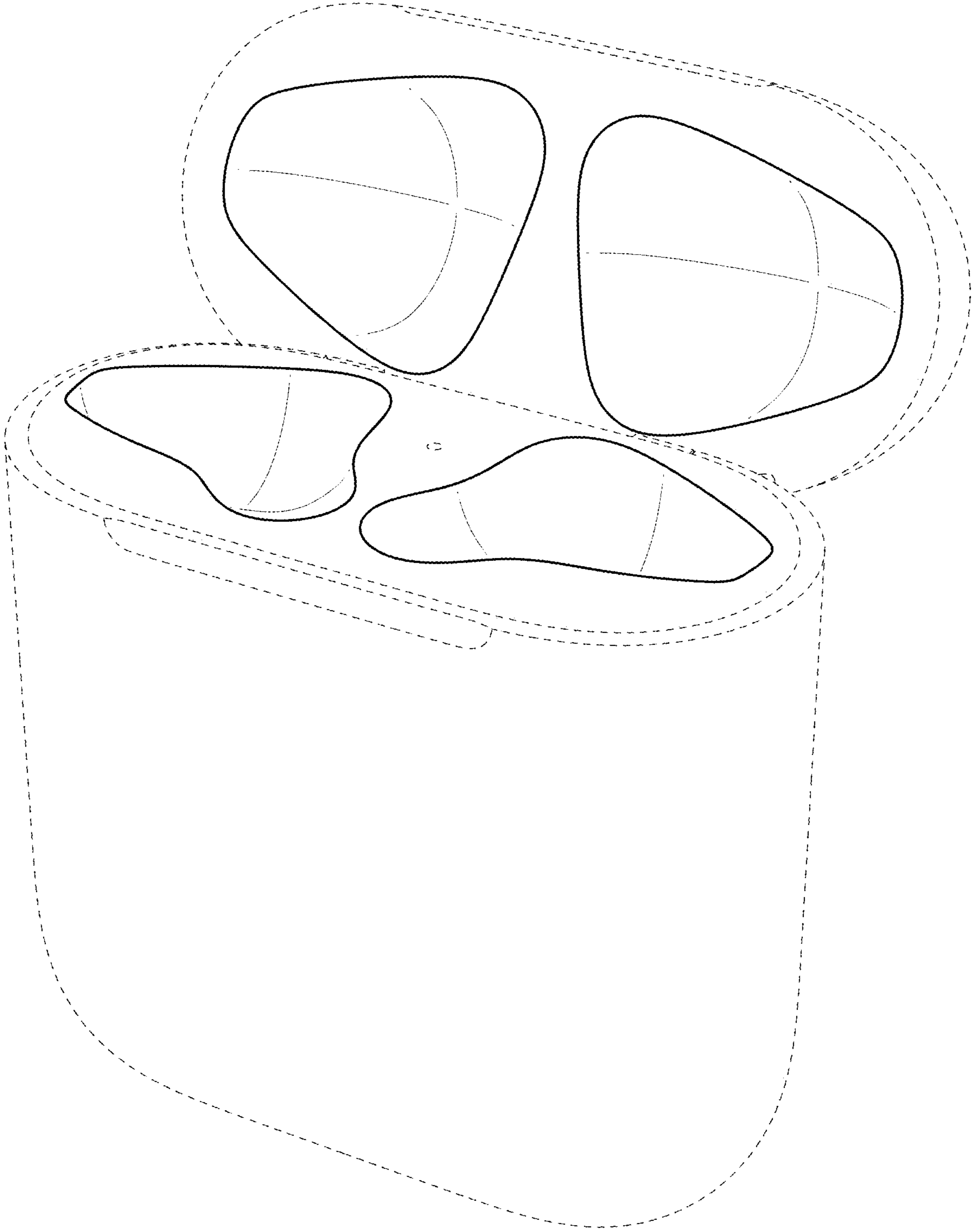


FIG. 1

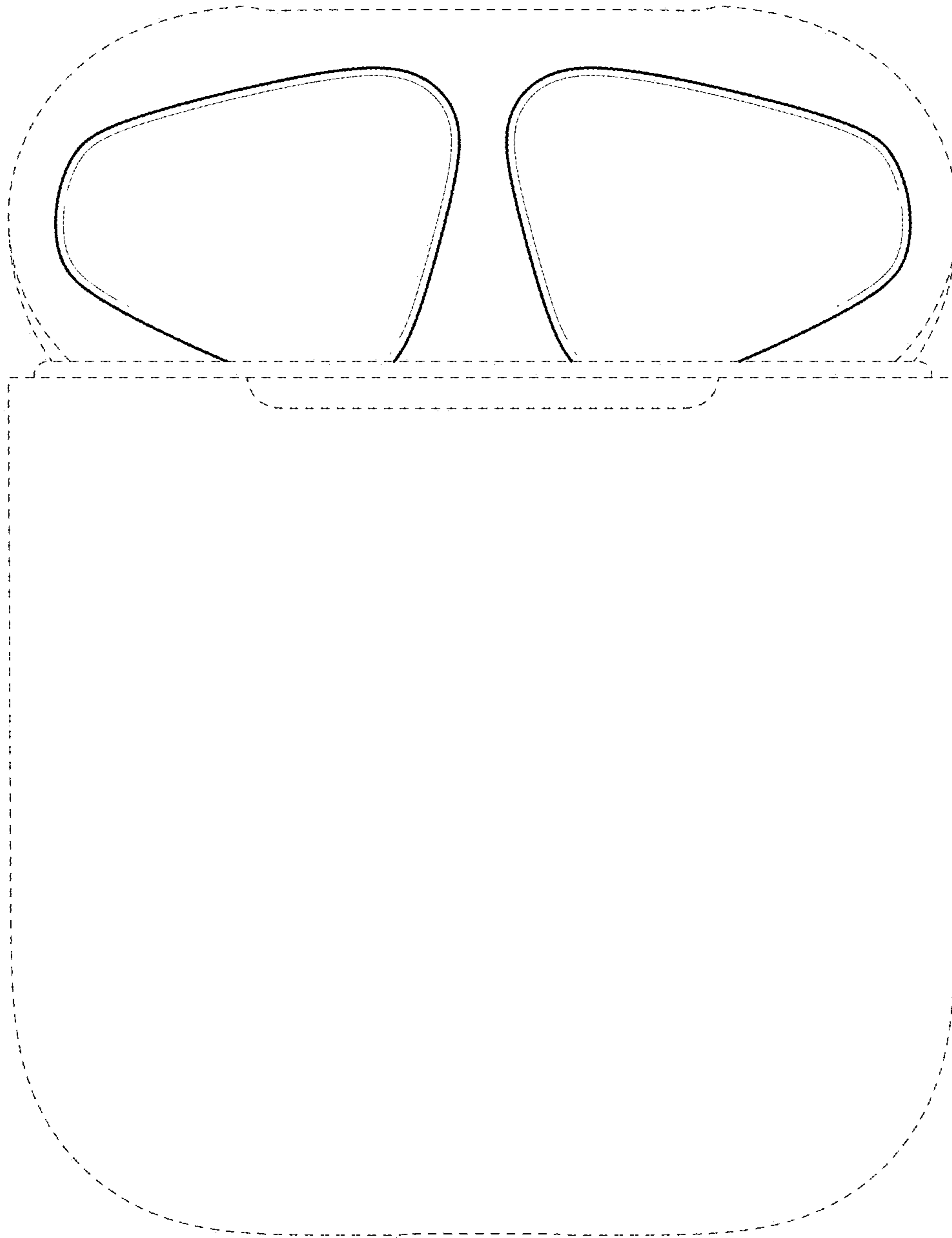


FIG. 2

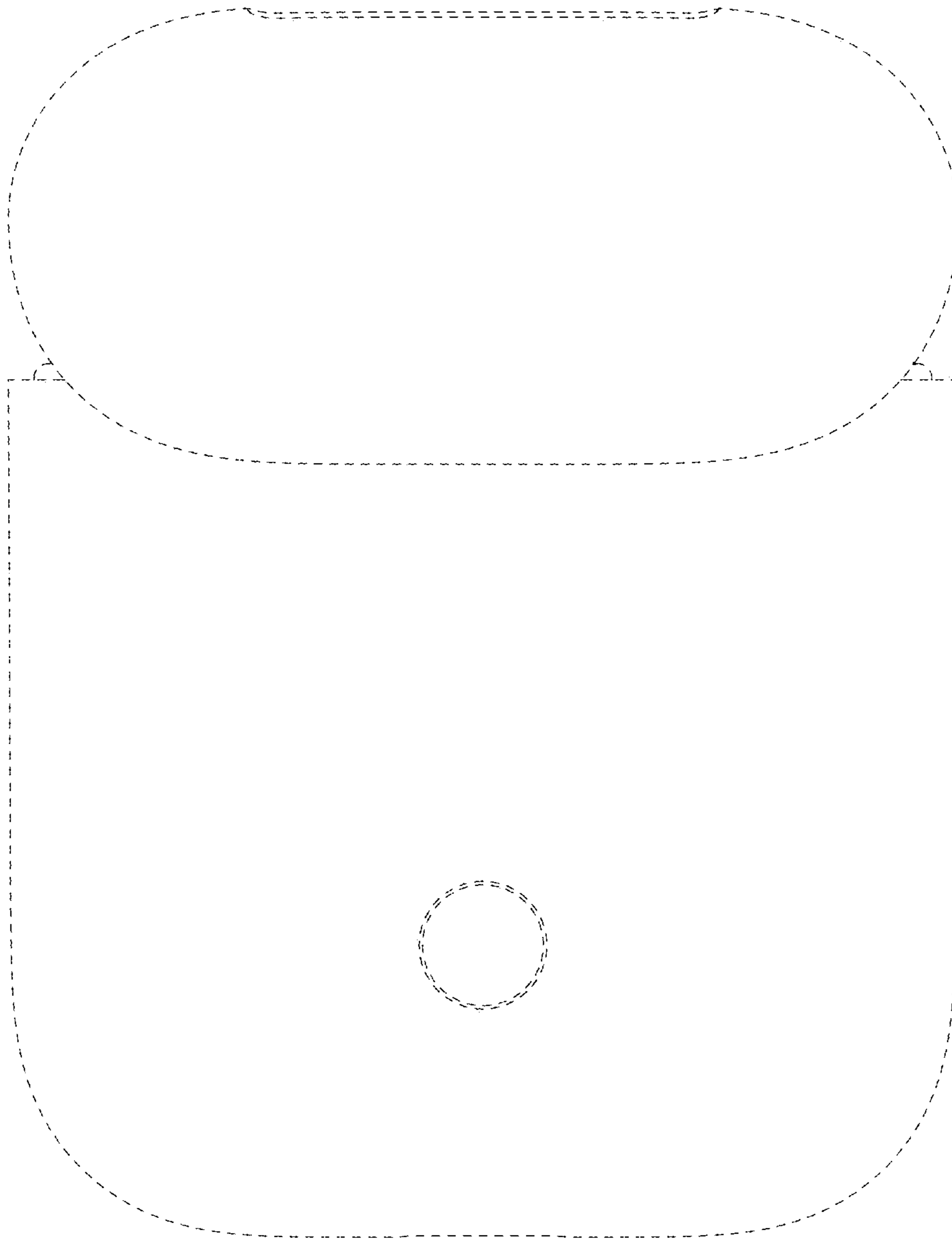


FIG. 3

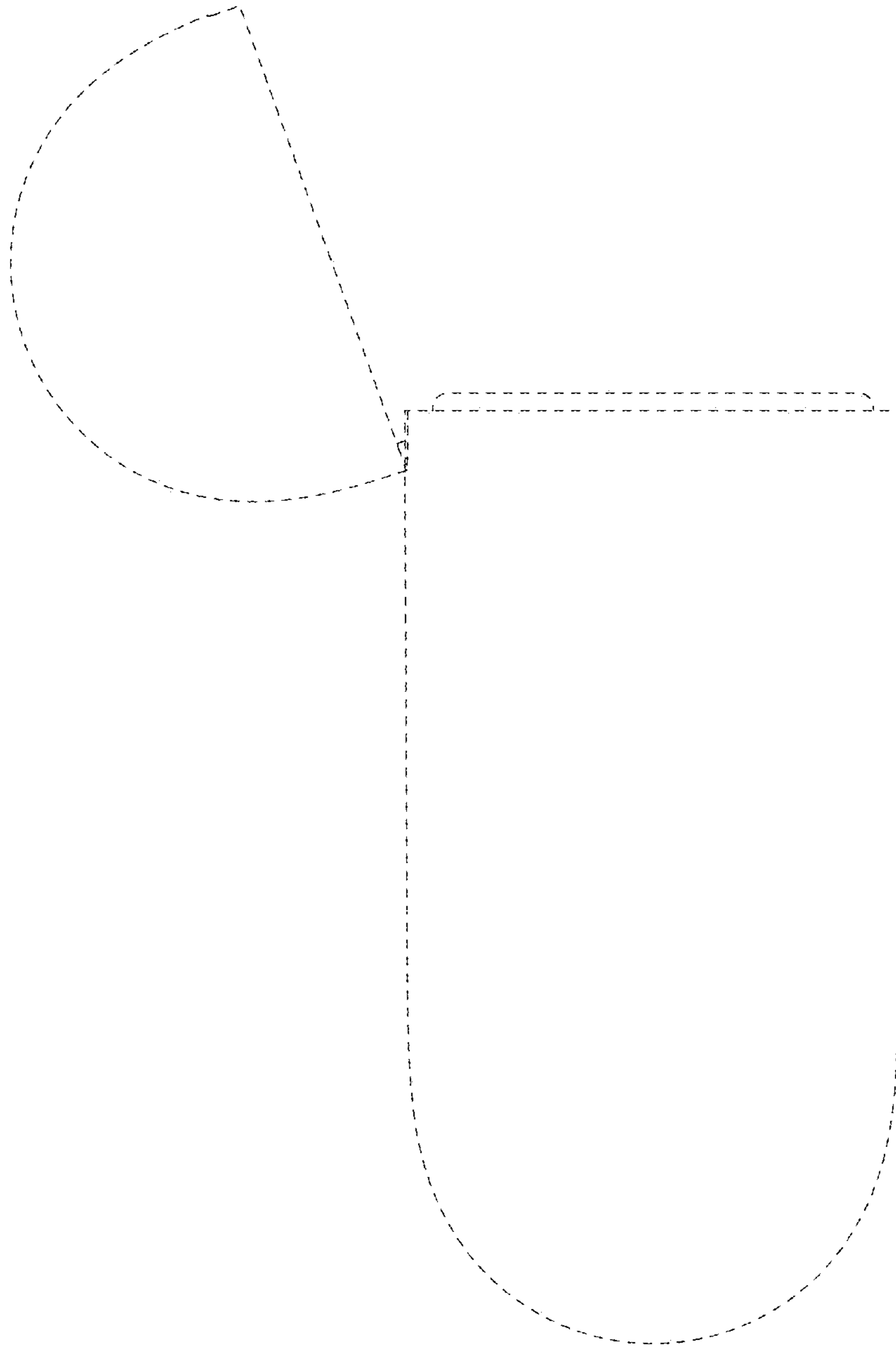


FIG. 4

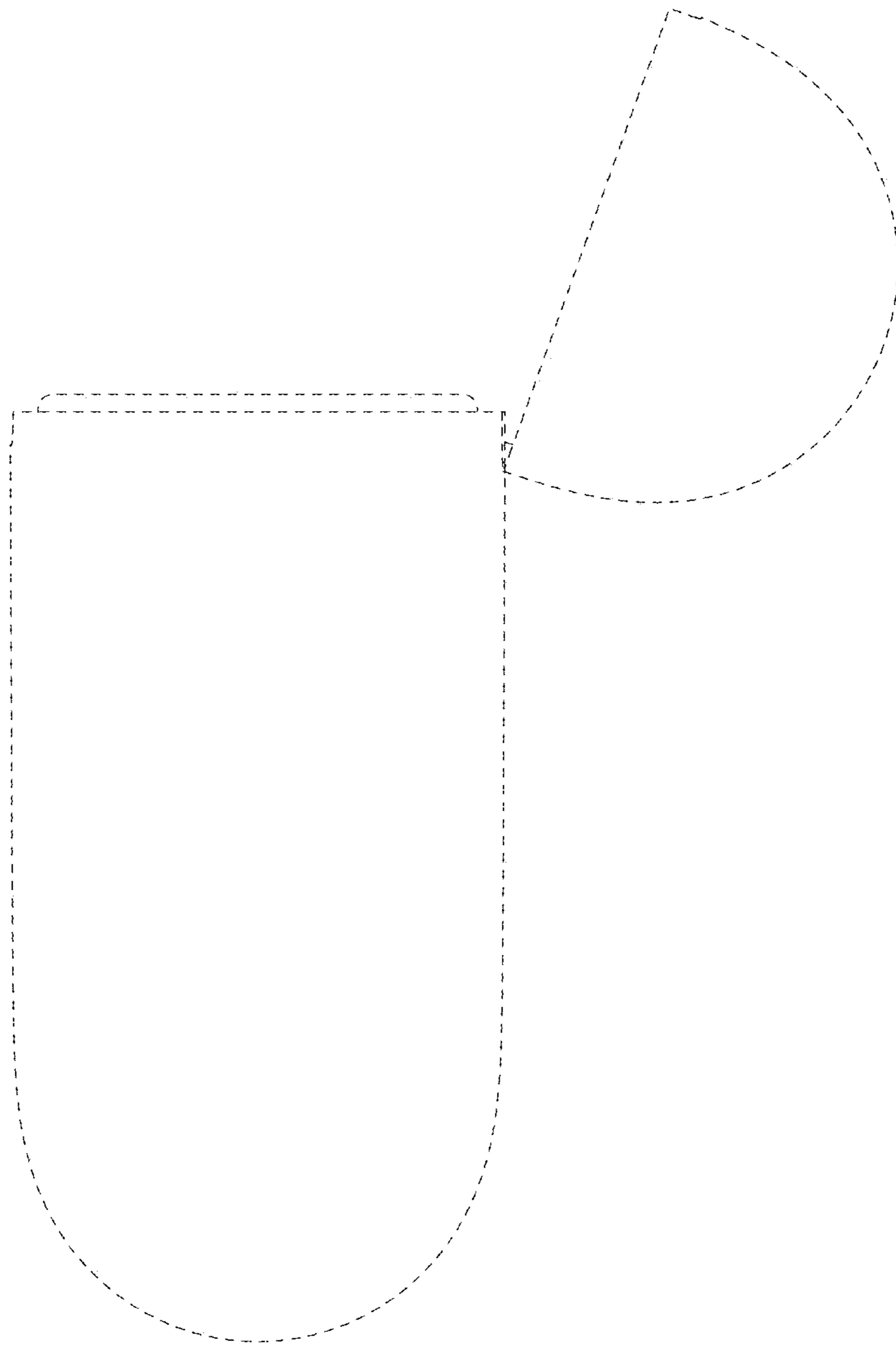


FIG. 5

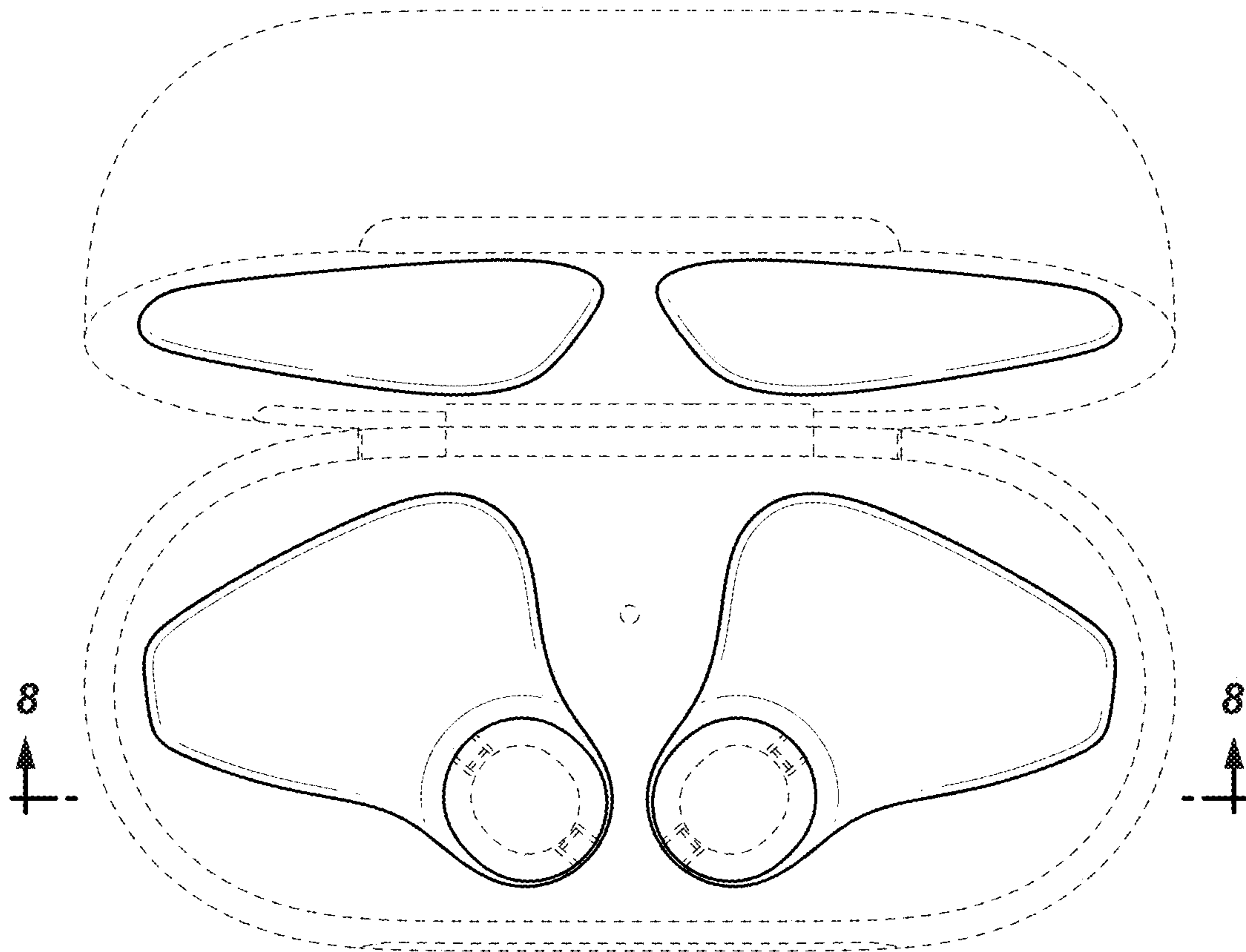


FIG. 6

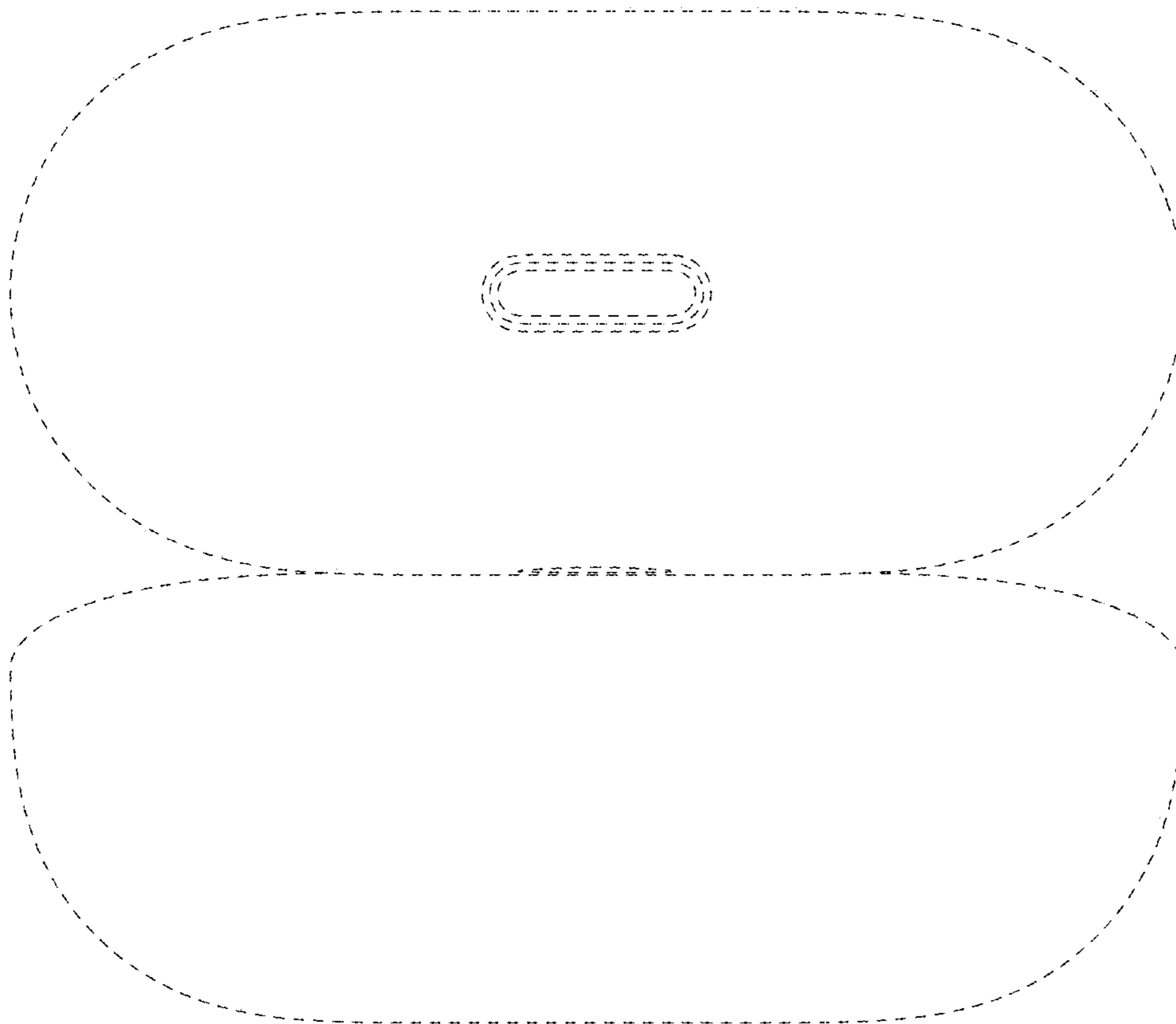


FIG. 7

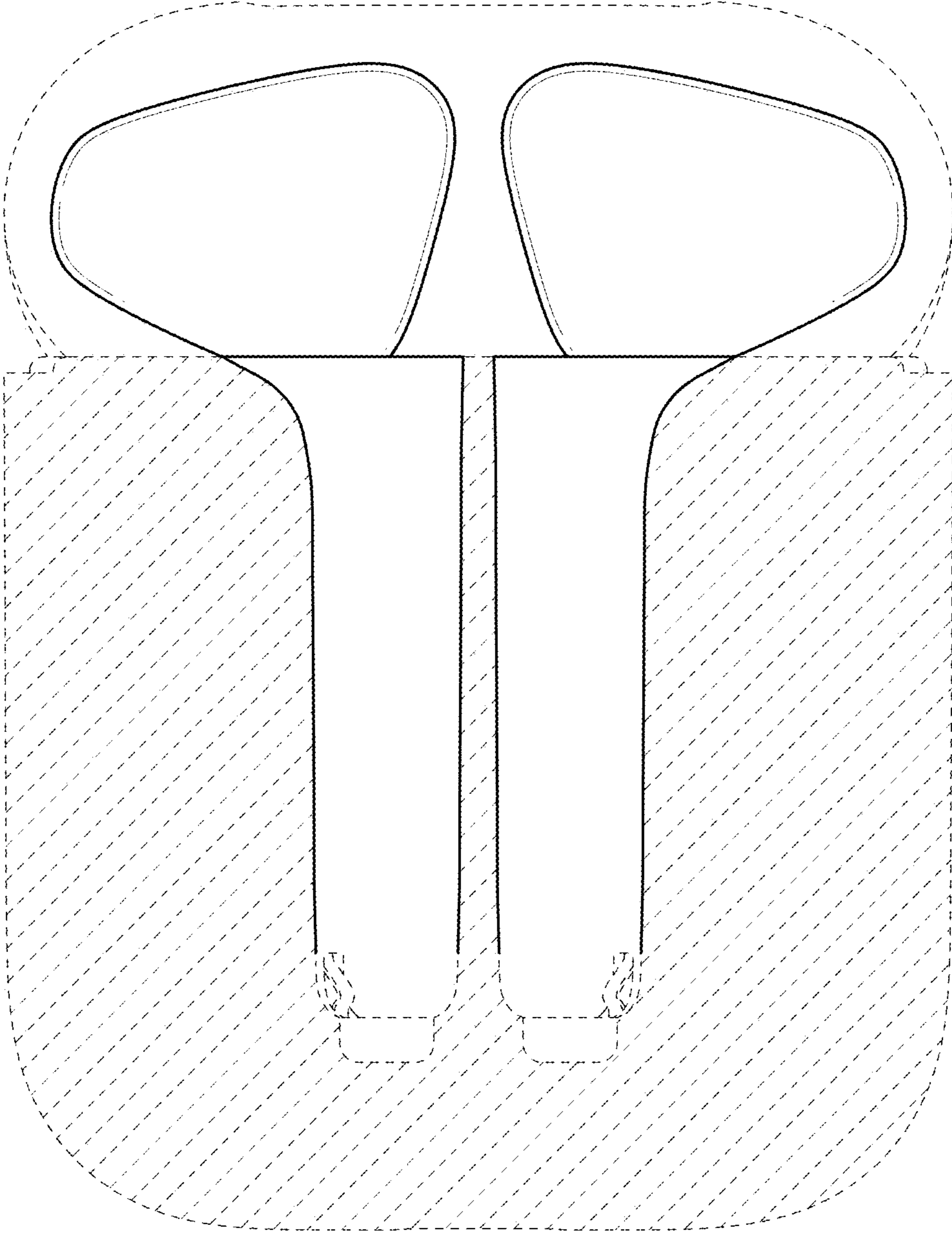


FIG. 8

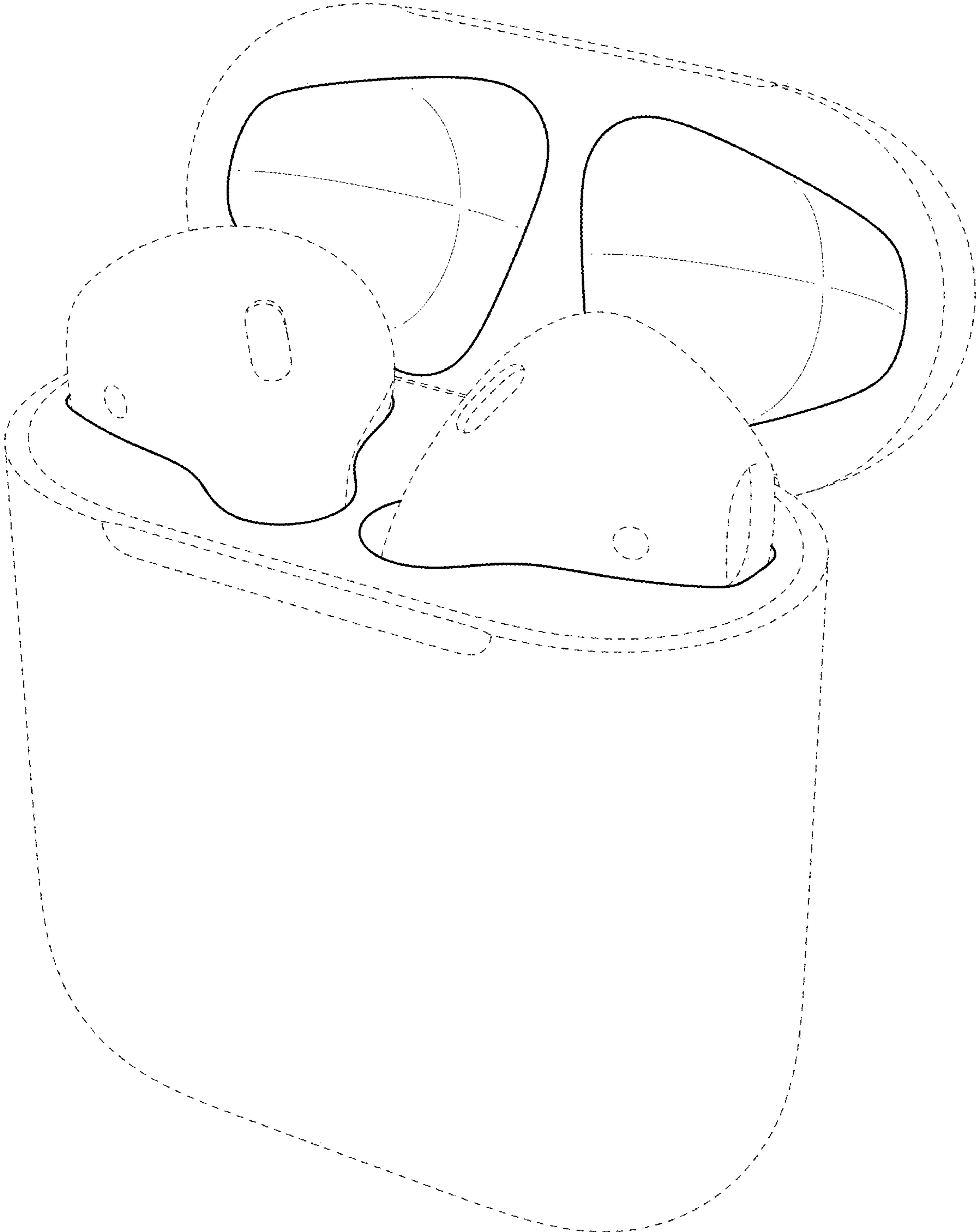


FIG. 9