



US00D960828S

(12) **United States Design Patent**
Mahdavi

(10) **Patent No.:** **US D960,828 S**

(45) **Date of Patent:** **** Aug. 16, 2022**

(54) **BATTERY**

(71) Applicant: **ATLAS HEMP COMPANY LLC**,
Seattle, WA (US)

(72) Inventor: **Robert H. Mahdavi**, Seattle, WA (US)

(73) Assignee: **ATLAS HEMP COMPANY LLC**,
Renton, WA (US)

(**) Term: **15 Years**

(21) Appl. No.: **29/717,261**

(22) Filed: **Dec. 16, 2019**

(51) **LOC (13) Cl.** **13-02**

(52) **U.S. Cl.**
USPC **D13/108; D27/162**

(58) **Field of Classification Search**
USPC D13/103, 107, 108, 109, 110, 118, 119,
D13/199; D14/251, 253, 432, 433, 434;
D27/162, 172, 183, 193, 194
(Continued)

(56) **References Cited**

U.S. PATENT DOCUMENTS

D258,540 S * 3/1981 Kotuby D27/194
4,993,435 A * 2/1991 McCann A24F 13/00
131/175

(Continued)

OTHER PUBLICATIONS

“Honeystick Elf Vape Pen Battery”. Found online Jun. 2, 2021 at
amazon.com. Reference dated Dec. 13, 2018. Retrieved from <https://www.amazon.co.uk/Honeystick-Vape-Cartridges-Cartridge-Vaporizer/dp/B07SCQTMLZ?th=1>. (Year: 2018).*

(Continued)

Primary Examiner — Kendra Leslie Hamilton
Assistant Examiner — Amanda Christensen

(74) *Attorney, Agent, or Firm* — Greer, Burns & Crain,
Ltd

(57) **CLAIM**

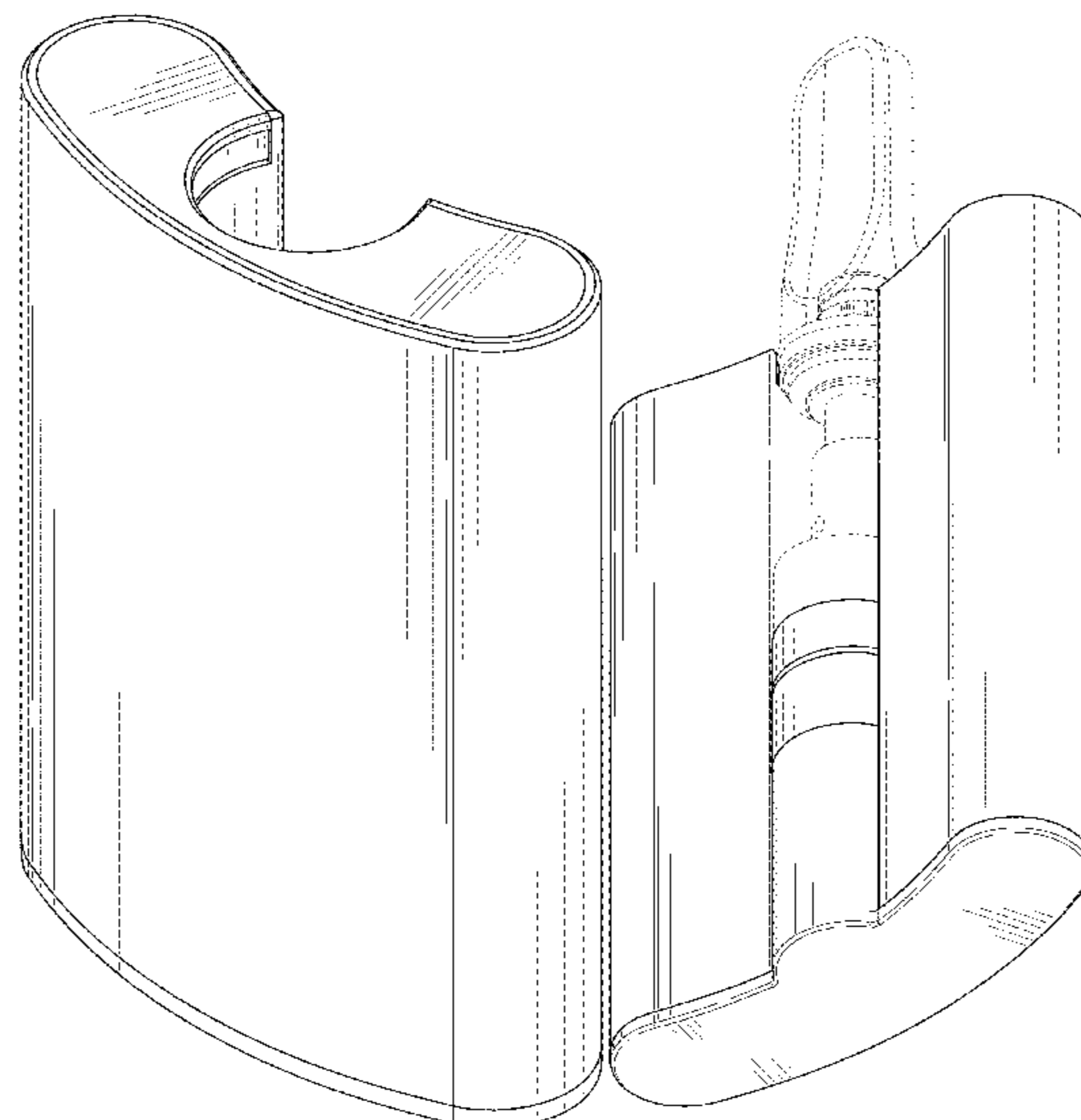
The ornamental design for a battery, as shown and described.

DESCRIPTION

FIG. 1 is a top, front perspective view of a first embodiment of a battery, showing my new design;
FIG. 2 is a rear, bottom perspective view thereof;
FIG. 3 is a front elevational view thereof;
FIG. 4 is a rear elevational view of same;
FIG. 5 is a right side elevational view thereof;
FIG. 6 is a left side elevational view thereof;
FIG. 7 is a top plan view thereof;
FIG. 8 is a bottom plan view thereof;
FIG. 9 is a top, front perspective view of a second embodiment of the battery;
FIG. 10 is a rear, bottom perspective view thereof;
FIG. 11 is a front elevational view thereof;
FIG. 12 is a rear elevational view of same;
FIG. 13 is a right side elevational view thereof;
FIG. 14 is a left side elevational view thereof;
FIG. 15 is a top plan view thereof;
FIG. 16 is a bottom plan view thereof;
FIG. 17 is a top, front perspective view of a third embodiment of the battery;
FIG. 18 is a rear, bottom perspective view thereof;
FIG. 19 is a front elevational view thereof;
FIG. 20 is a rear elevational view of same;
FIG. 21 is a right side elevational view thereof;
FIG. 22 is a left side elevational view thereof;
FIG. 23 is a top plan view thereof; and,
FIG. 24 is a bottom plan view thereof.

The broken lines on the battery depict portions of the battery that form no part of the claimed design. In FIGS. 15-23, the broken lines showing a cartridge, tube, mouthpiece, and cap depict environmental subject matter and also form no part of the claimed design.

1 Claim, 18 Drawing Sheets



(58) **Field of Classification Search**

CPC H01M 2220/00; H02J 50/00; A24F 13/00
See application file for complete search history.

(56) **References Cited**

U.S. PATENT DOCUMENTS

D562,763	S	*	2/2008	Kingston	D13/108
D580,349	S	*	11/2008	Haydvoegel	D13/103
D729,366	S	*	5/2015	Kauss	D23/360
D753,338	S	*	4/2016	Chen	D27/162
D878,672	S	*	3/2020	Beer	D27/162
D879,708	S	*	3/2020	Chen	D13/108
D889,740	S	*	7/2020	Beer	D27/194
D920,569	S	*	5/2021	Michaud	D27/162
D924,477	S	*	7/2021	Liu	D27/162
2017/0222468	A1	*	8/2017	Schennum	H02J 7/0029
2018/0070638	A1	*	3/2018	Qiu	H02J 7/32

OTHER PUBLICATIONS

“CCELL Palm Vape Battery”. Found online Jun. 2, 2021 at selectvape.com. Reference dated Nov. 20, 2019. Retrieved from <https://selectvape.com/product/ccell-palm-battery/> (Year: 2019).*

“BeeBox Auto-Draw Oil Vaporizer”. Found online Jun. 3, 2021 at vapehoneystick.com. Reference dated Mar. 25, 2019. Retrieved from <https://www.vapehoneystick.com/beebox-auto-draw-oil-vaporizer-for-510-thread-cartridges.html>. (Year: 2019).*

* cited by examiner

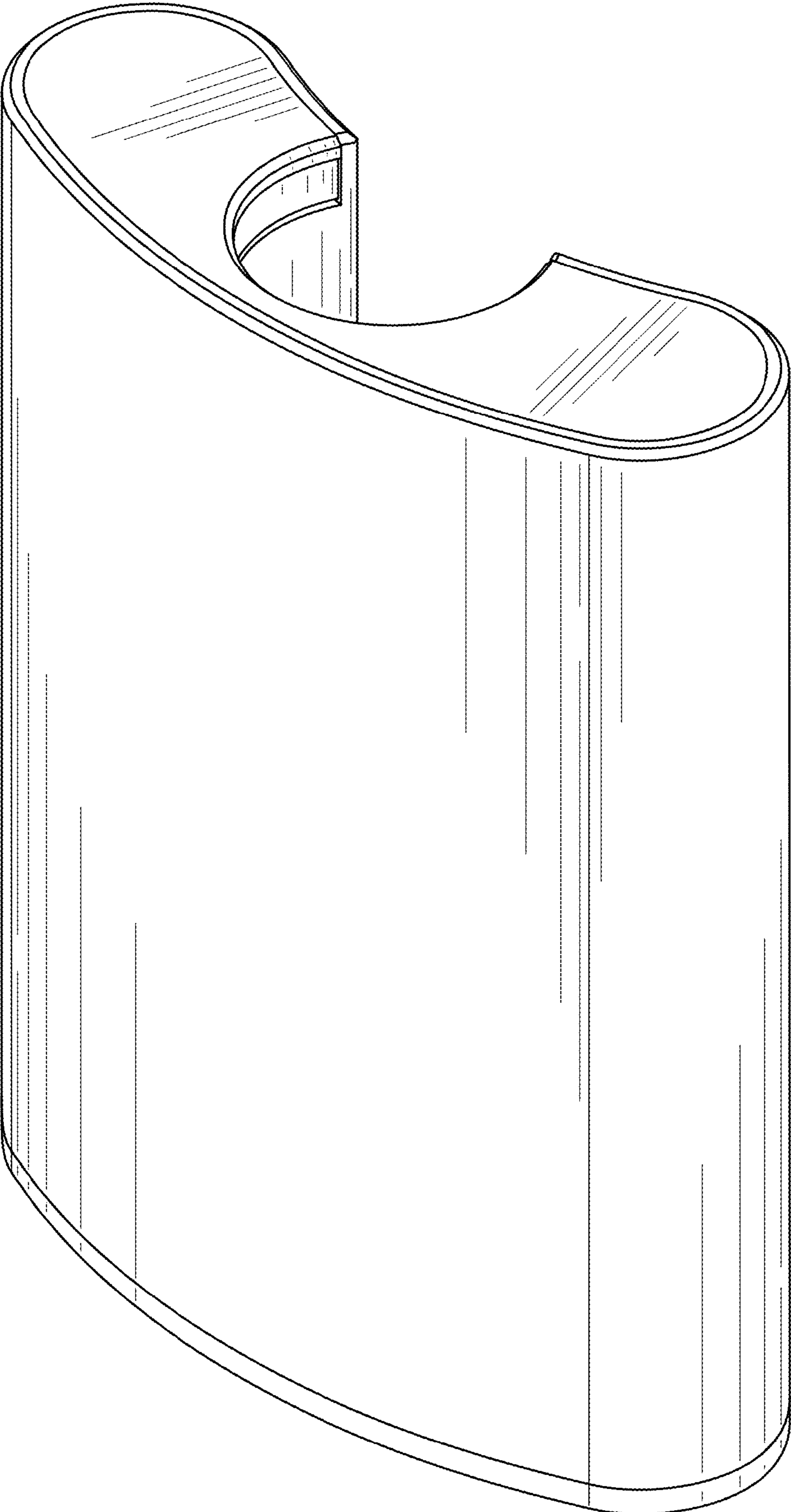


FIG. 1

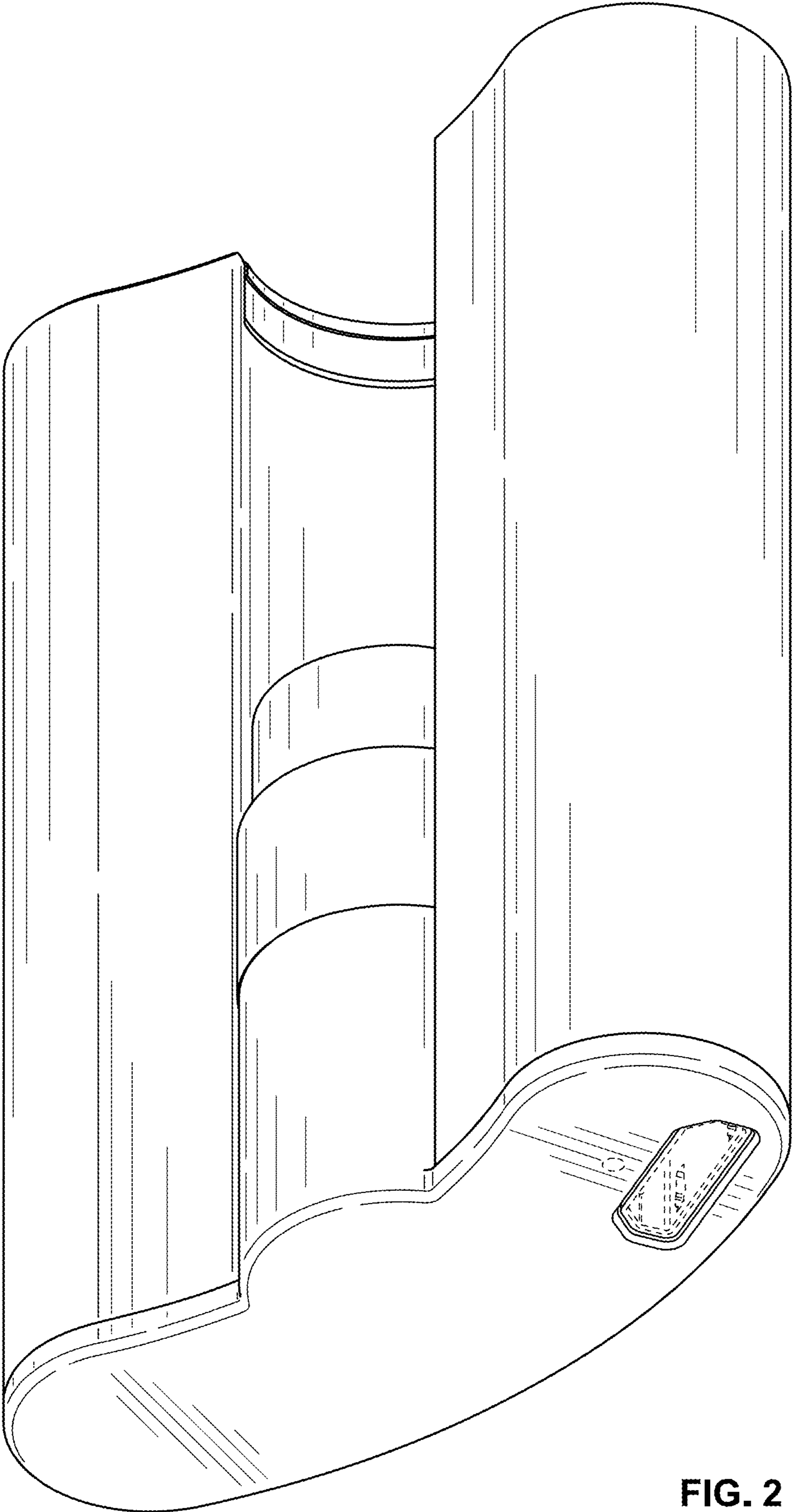


FIG. 2

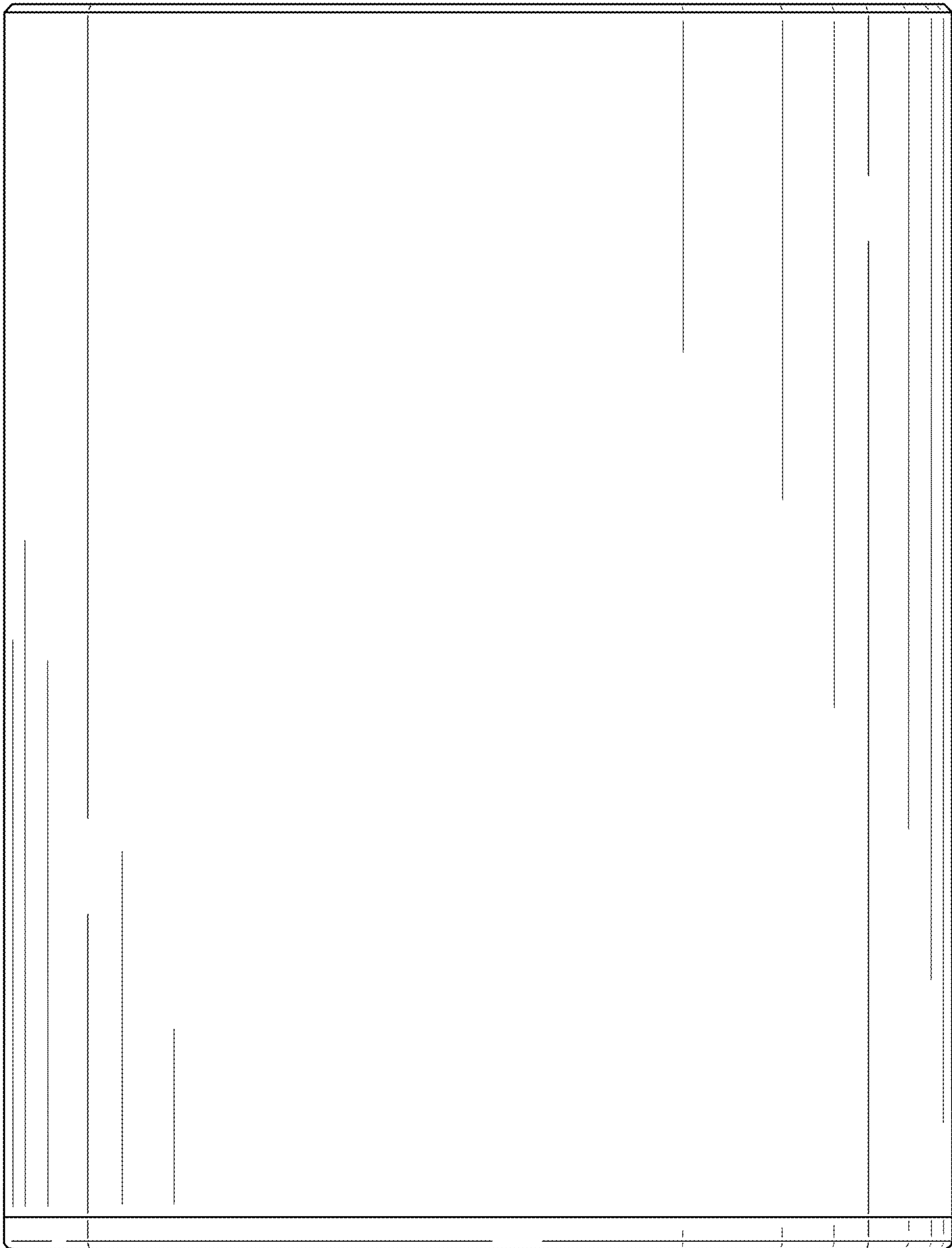


FIG. 3

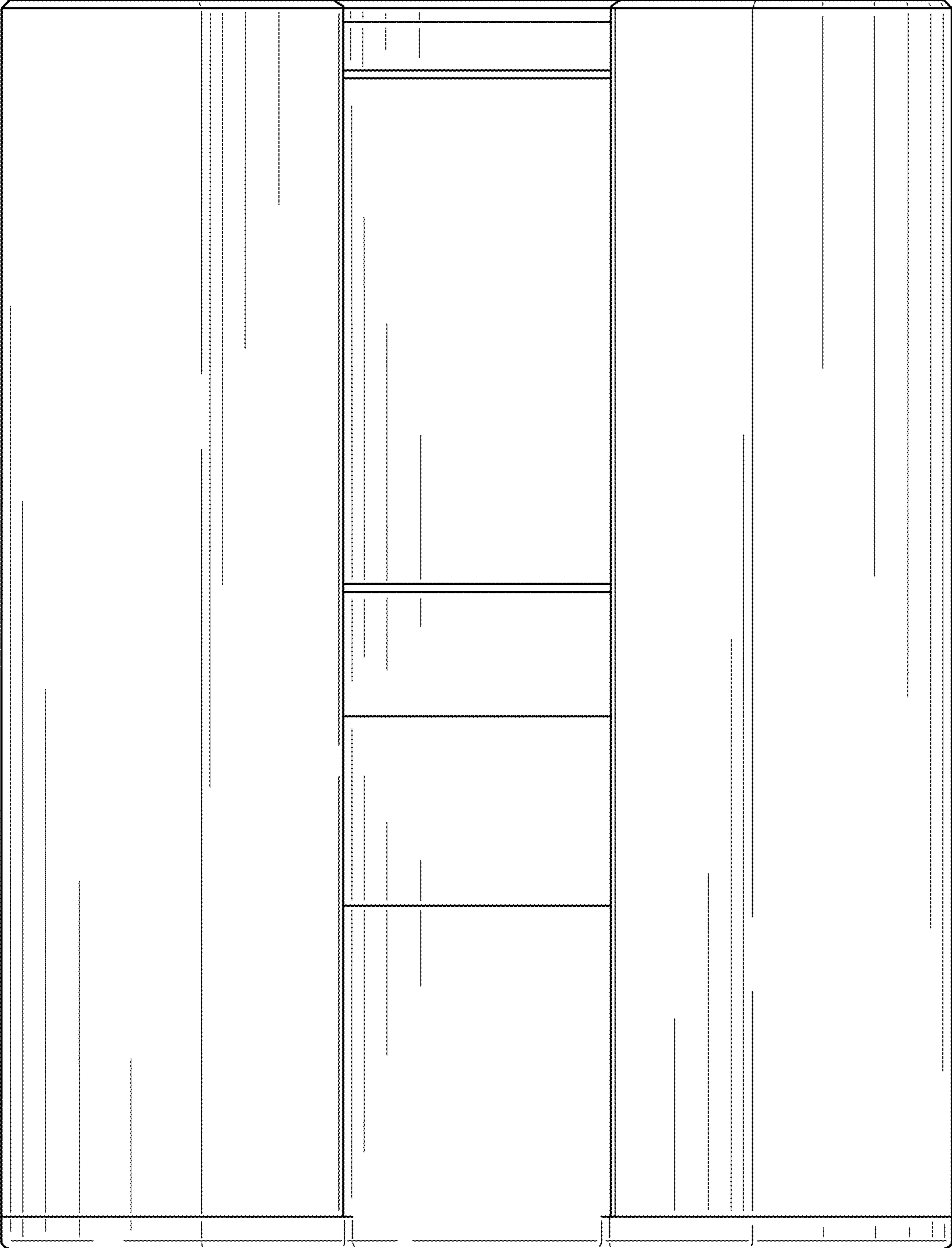


FIG. 4

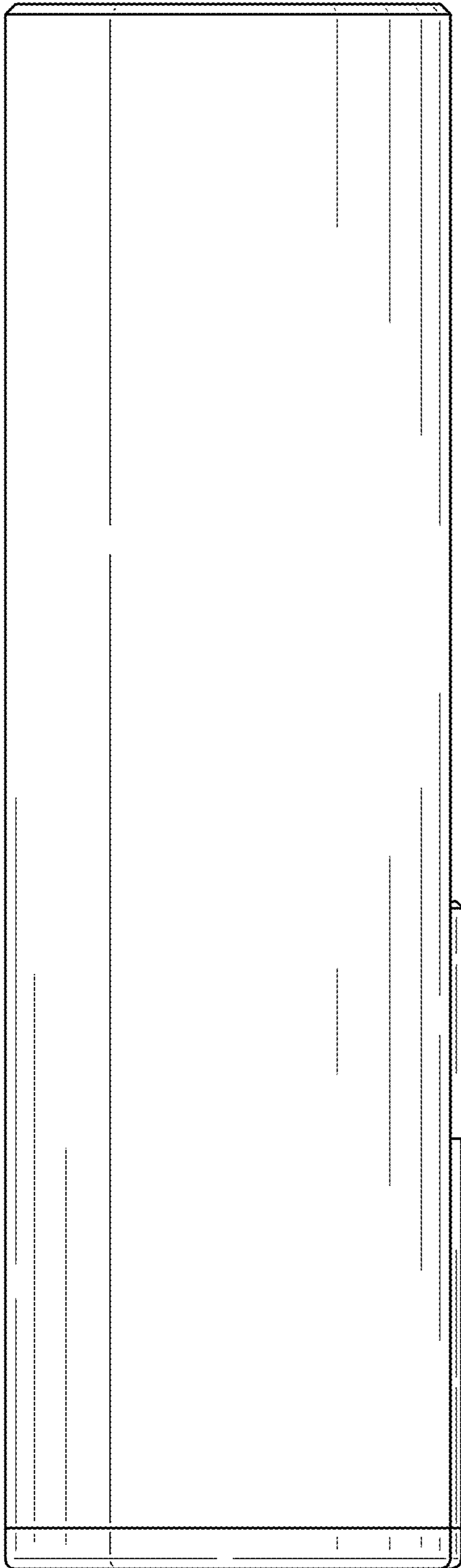


FIG. 5

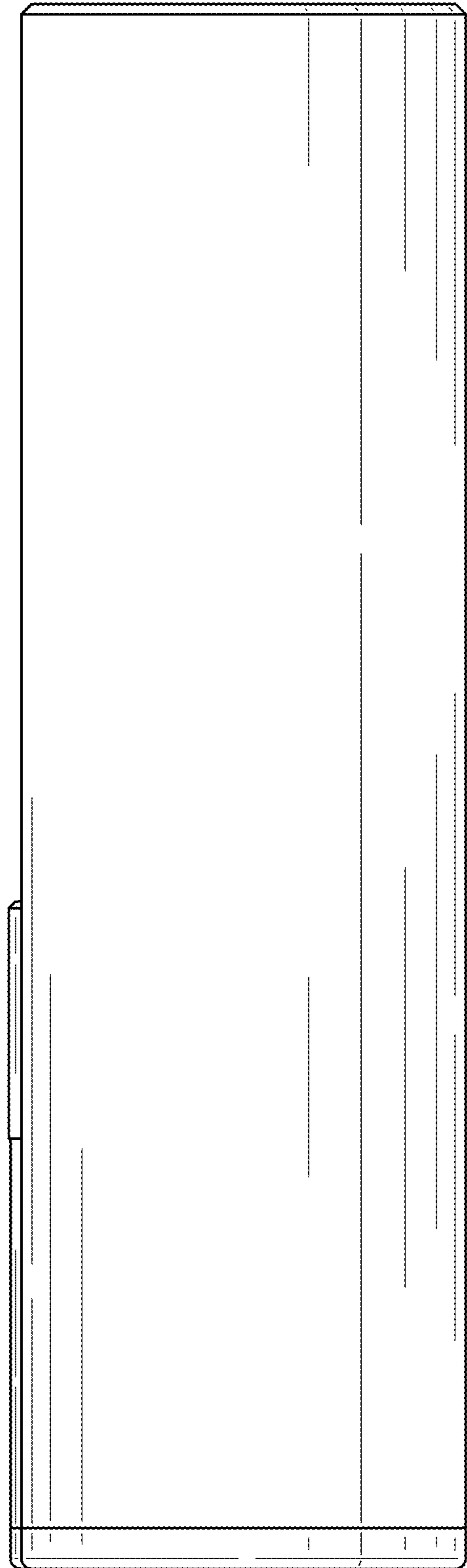


FIG. 6

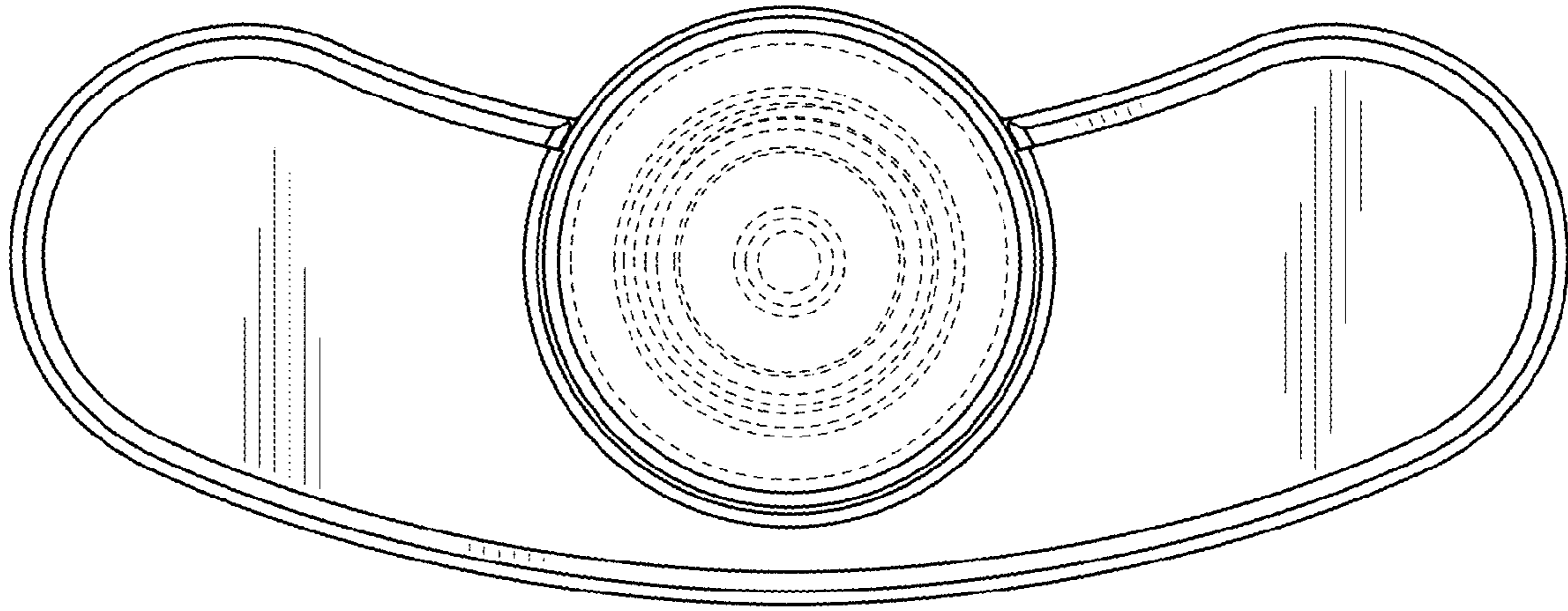


FIG. 7

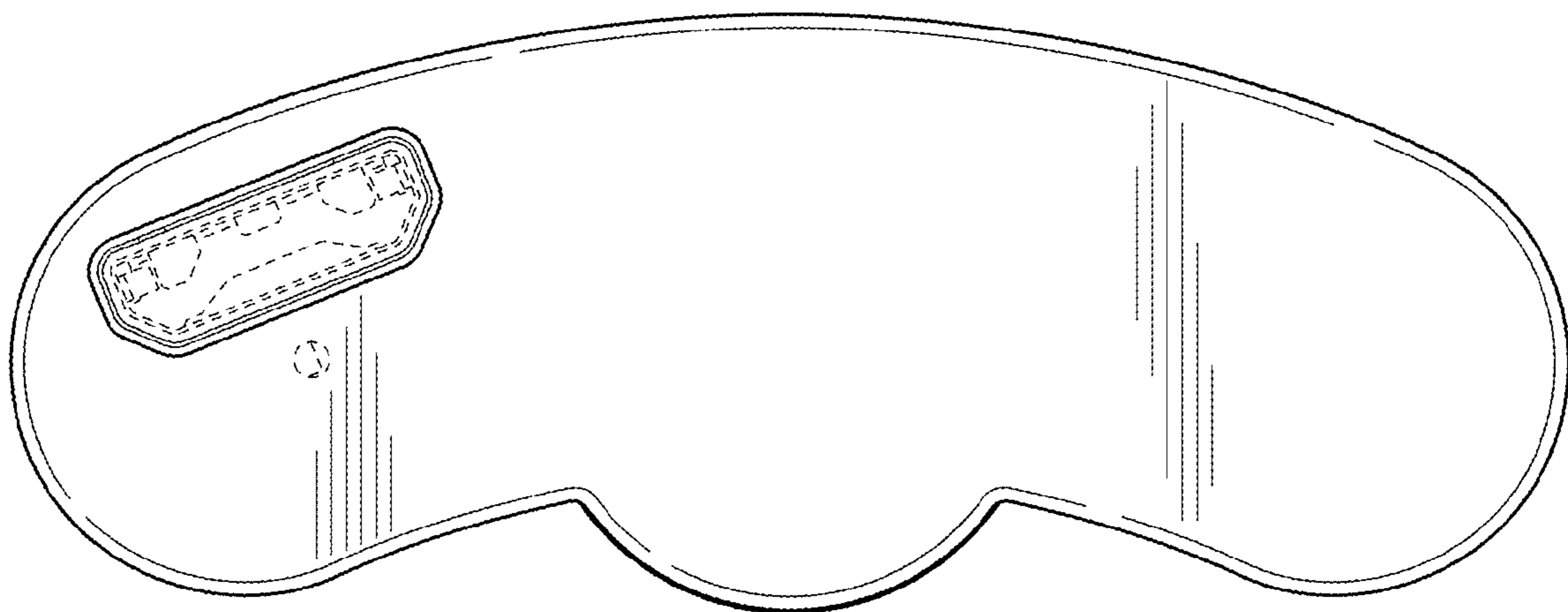


FIG. 8



FIG. 9

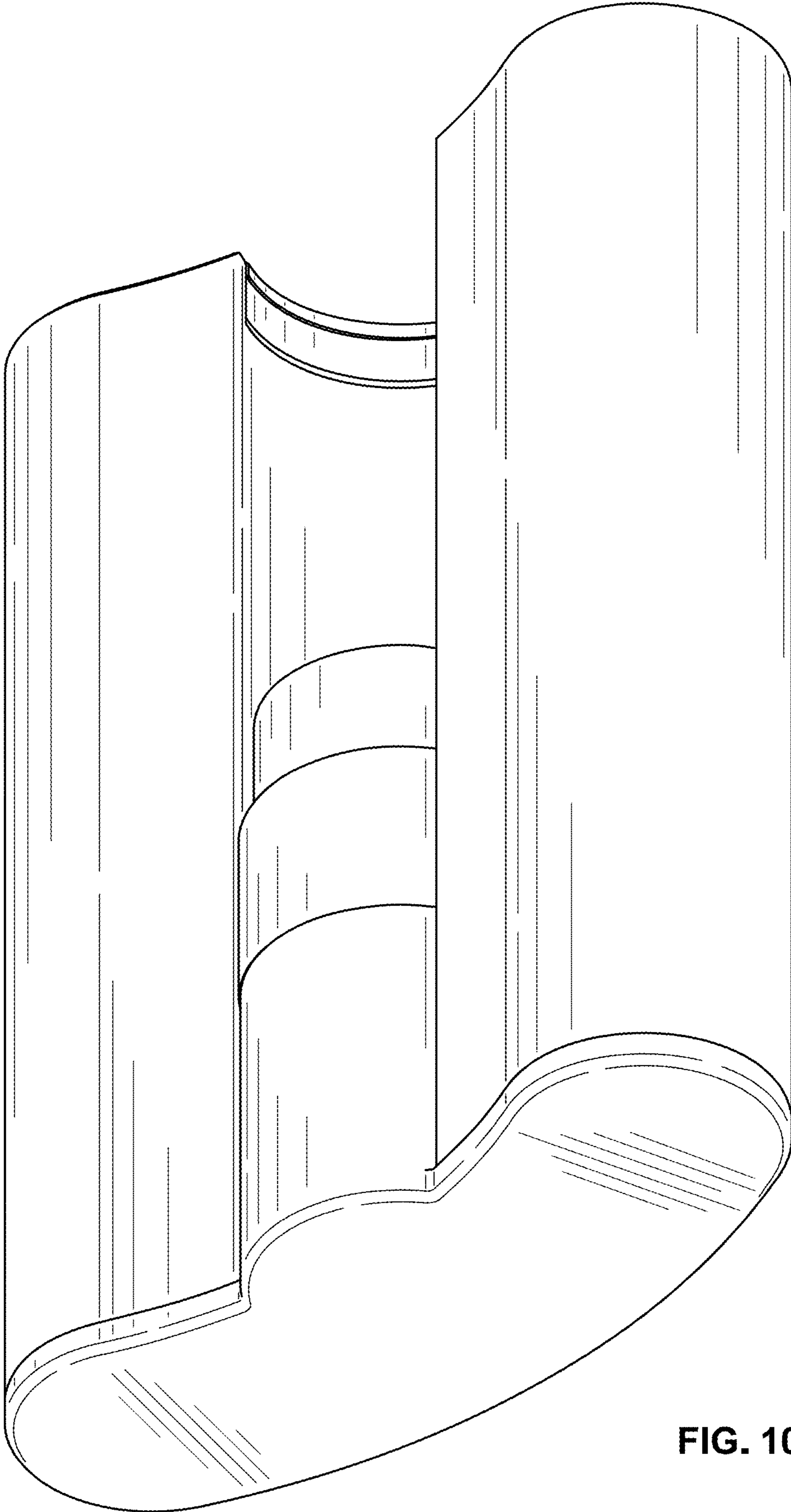


FIG. 10

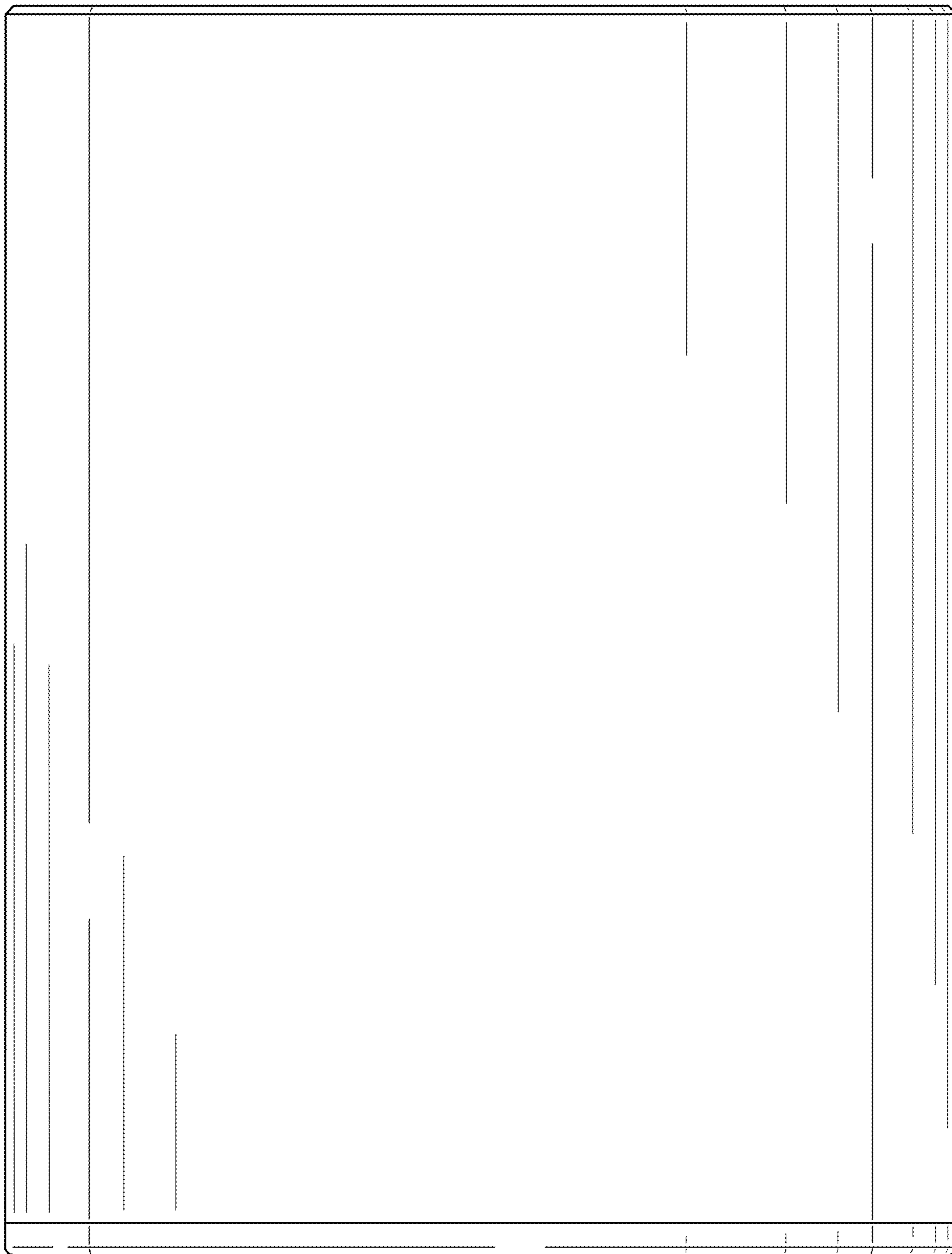


FIG. 11



FIG. 12

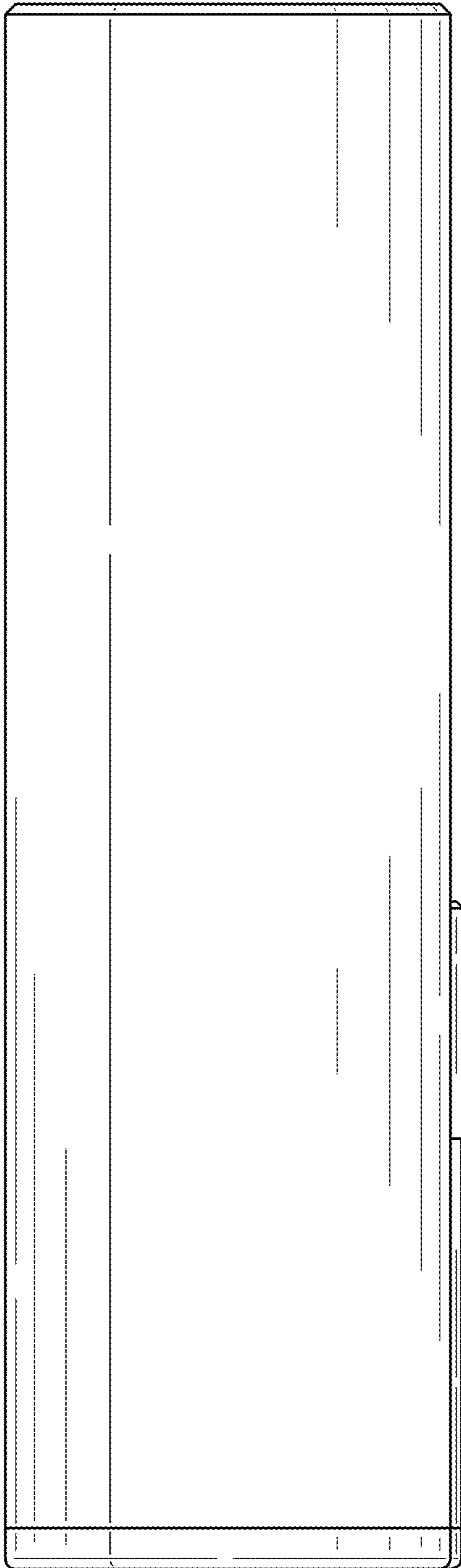


FIG. 13

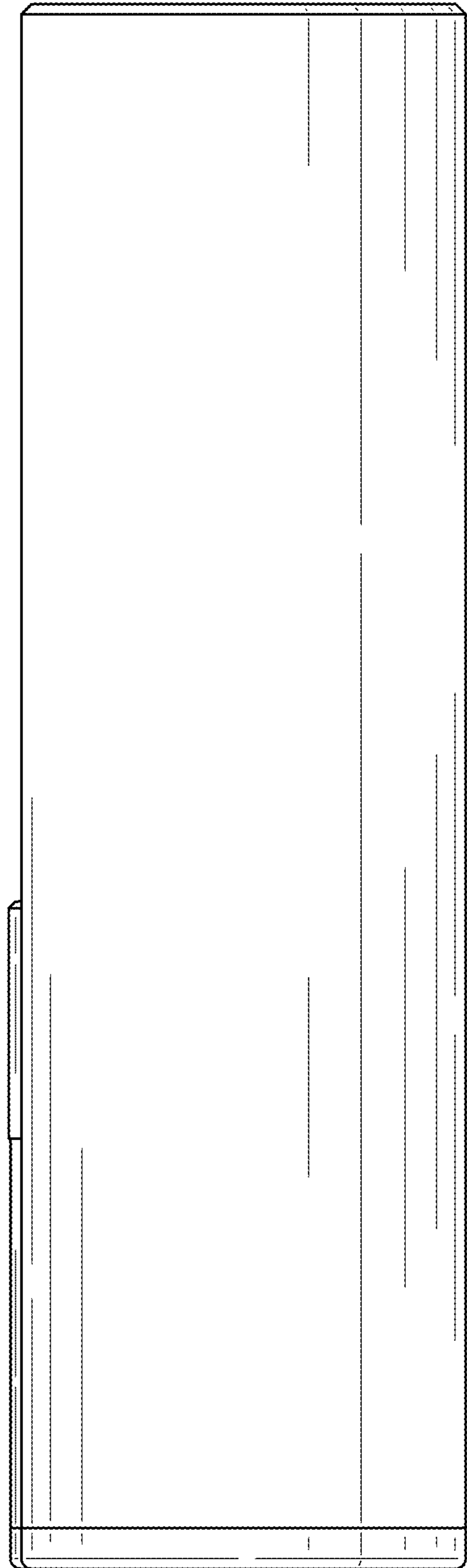


FIG. 14

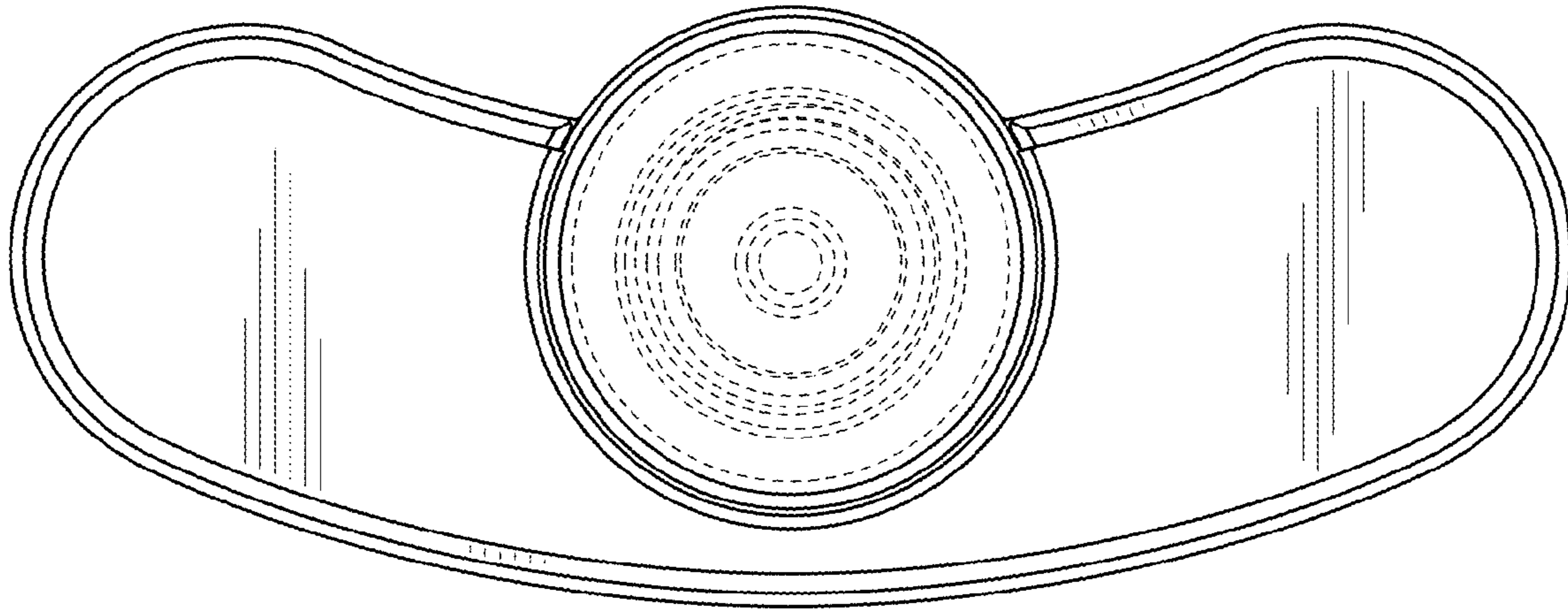


FIG. 15

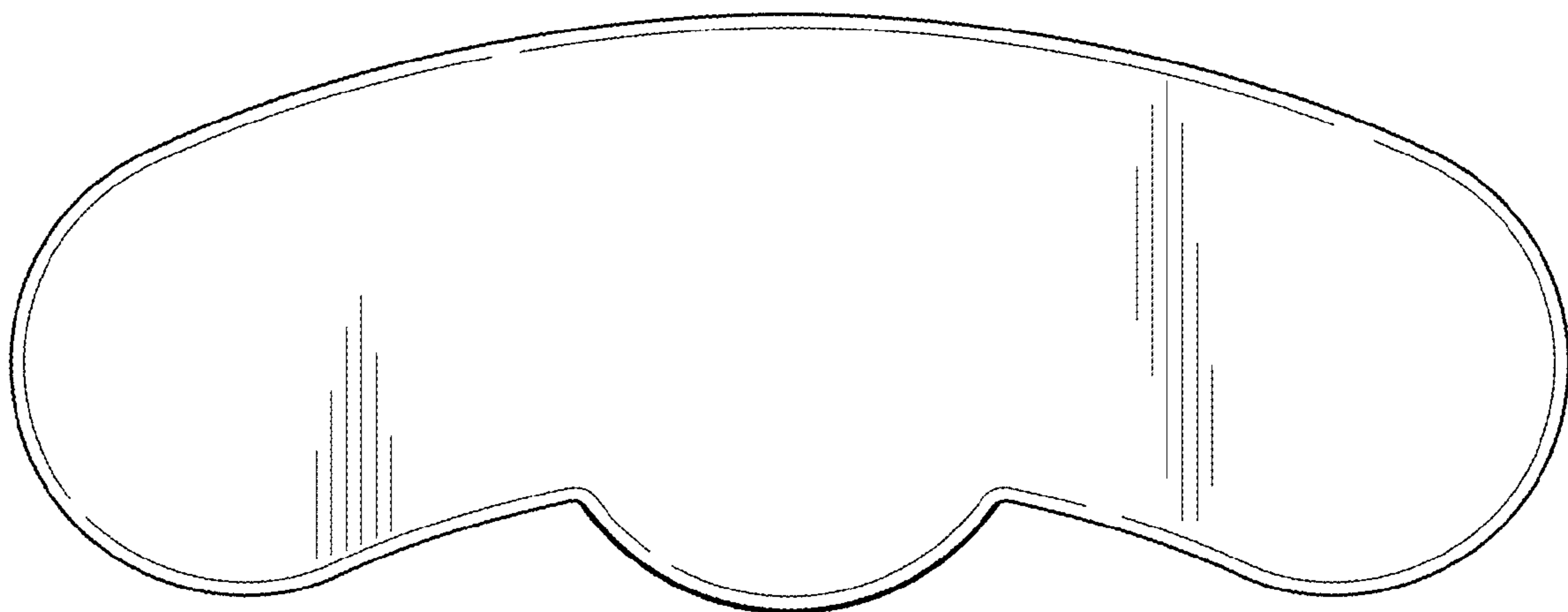


FIG. 16

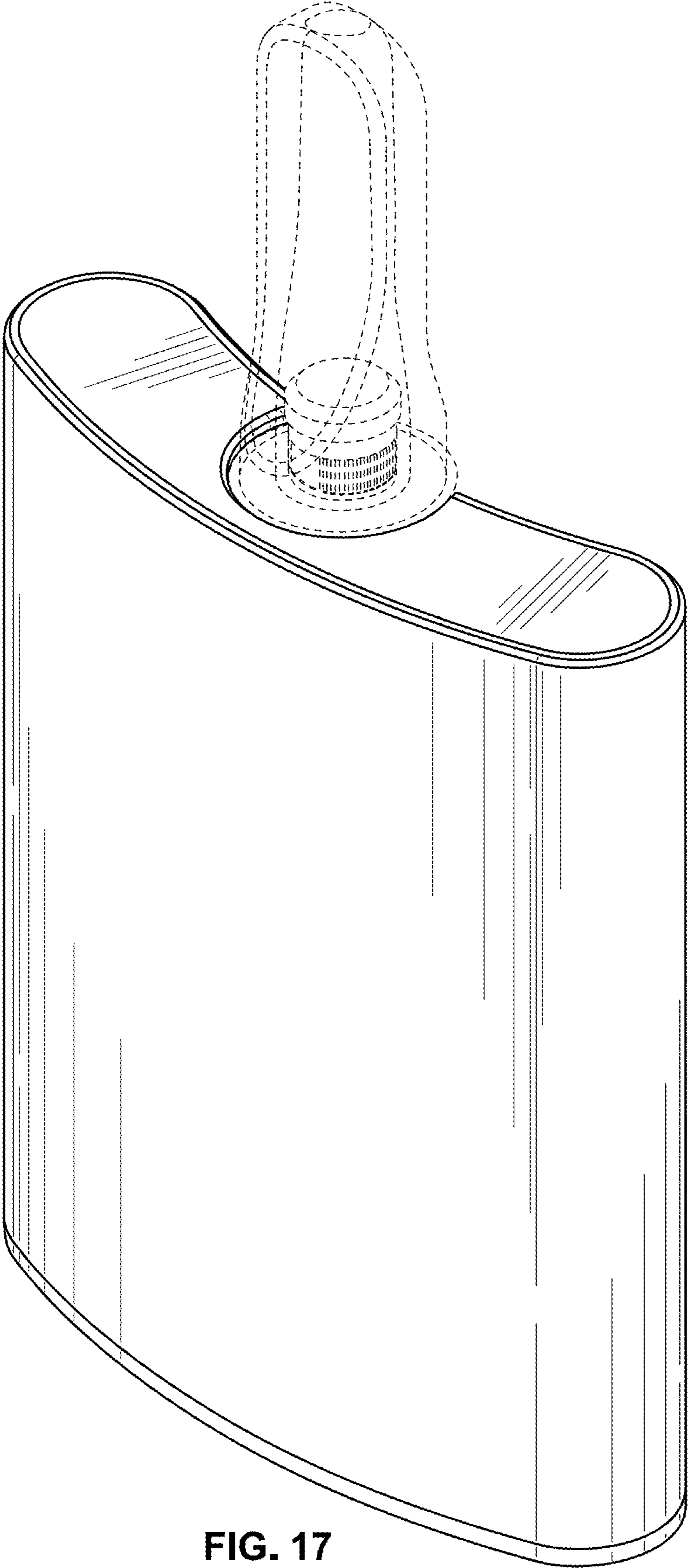


FIG. 17

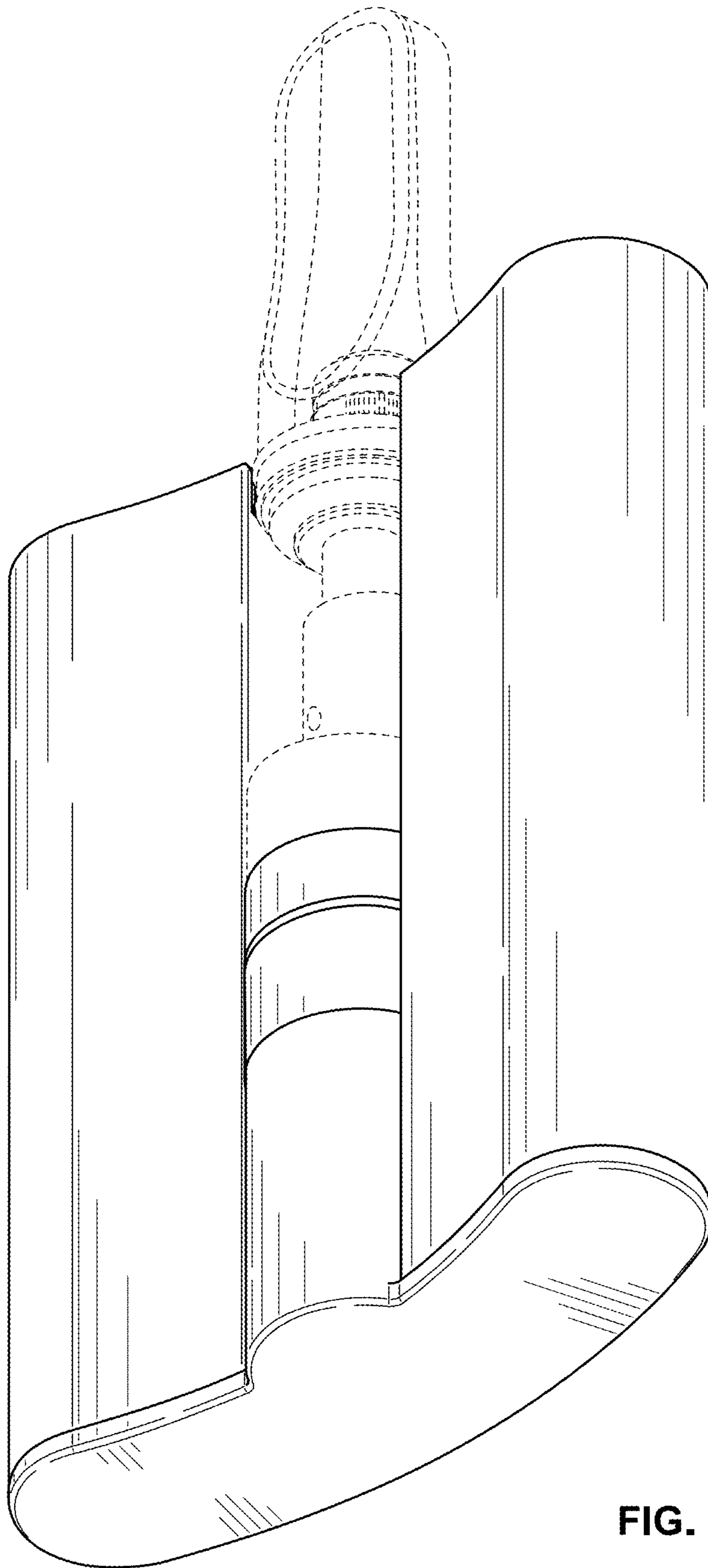


FIG. 18

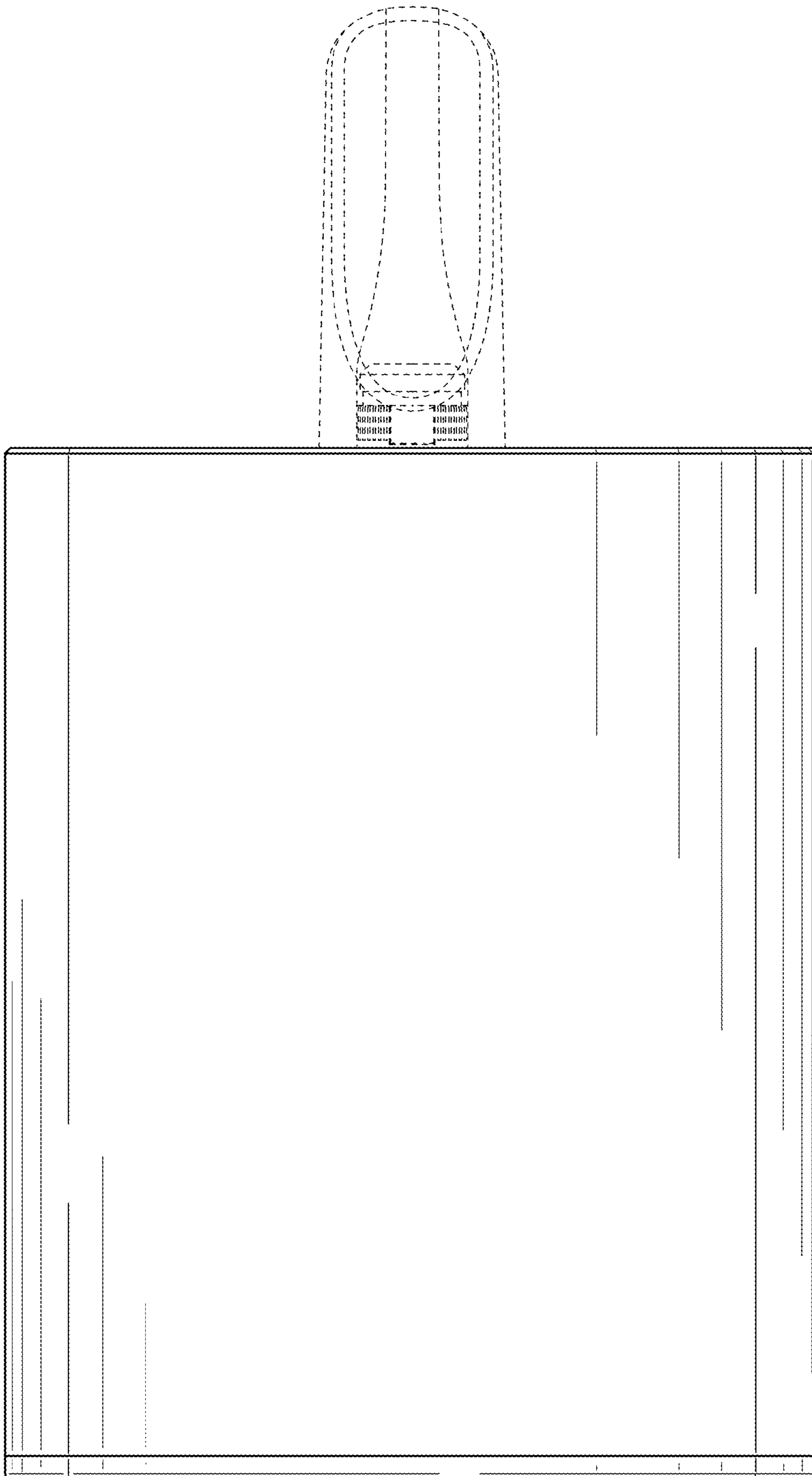


FIG. 19

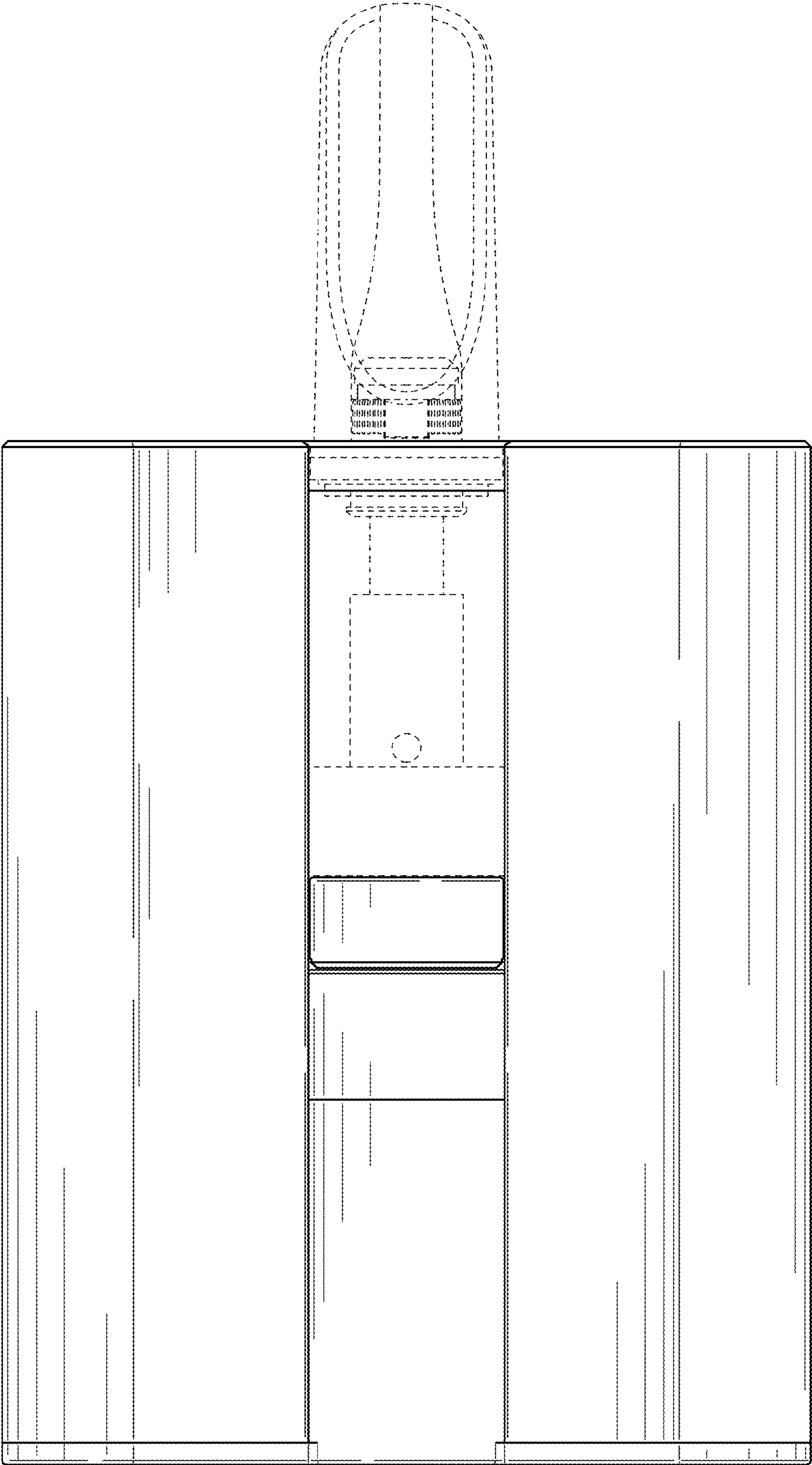


FIG. 20

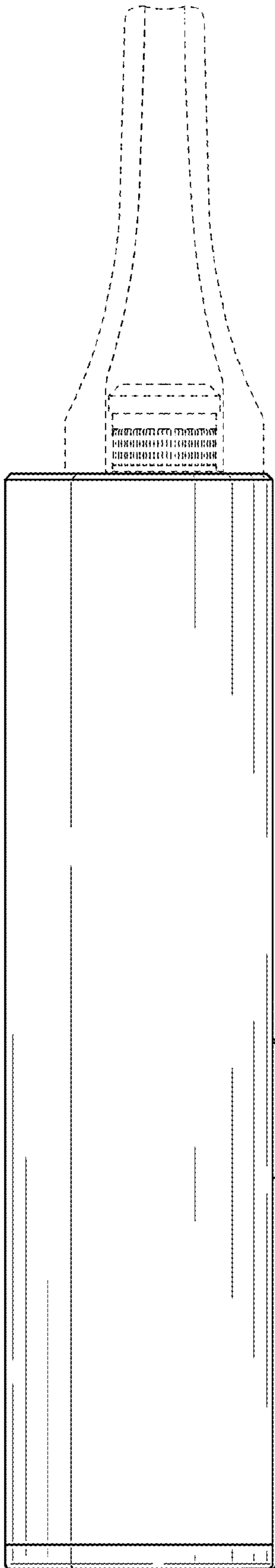


FIG. 21

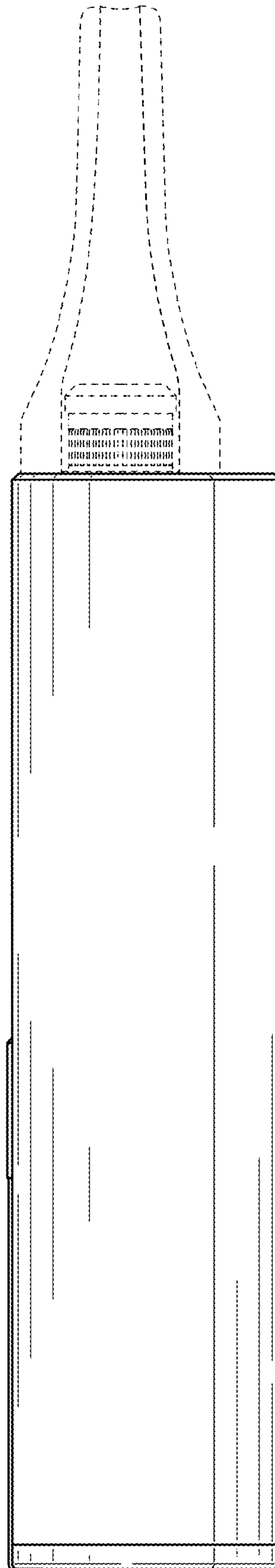


FIG. 22

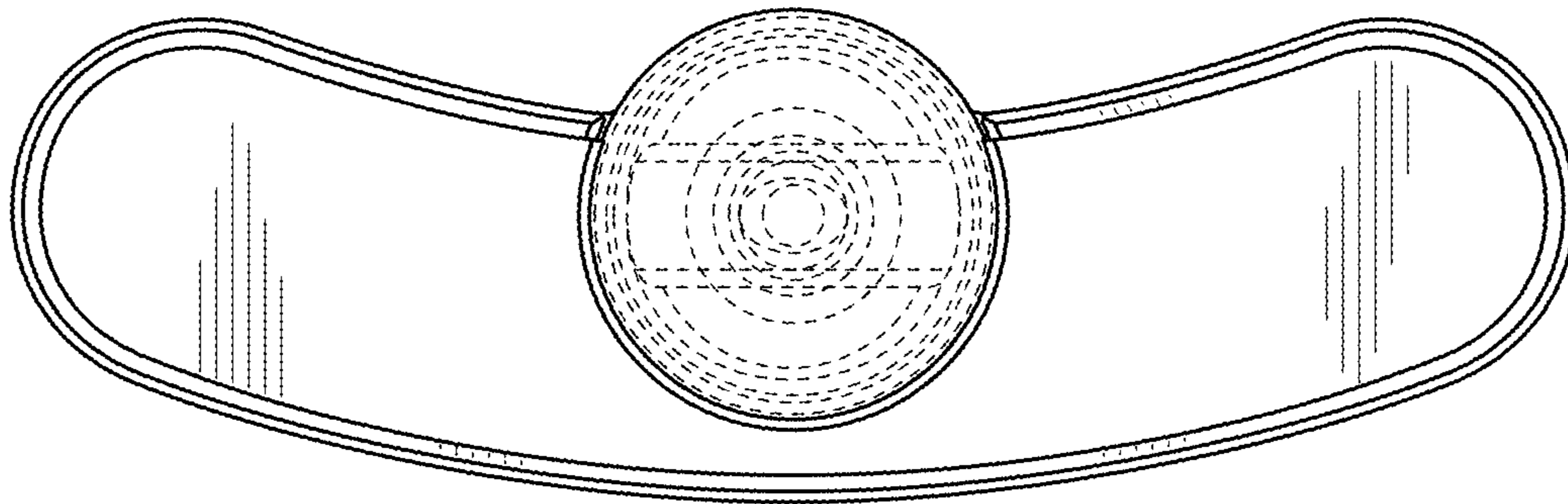


FIG. 23

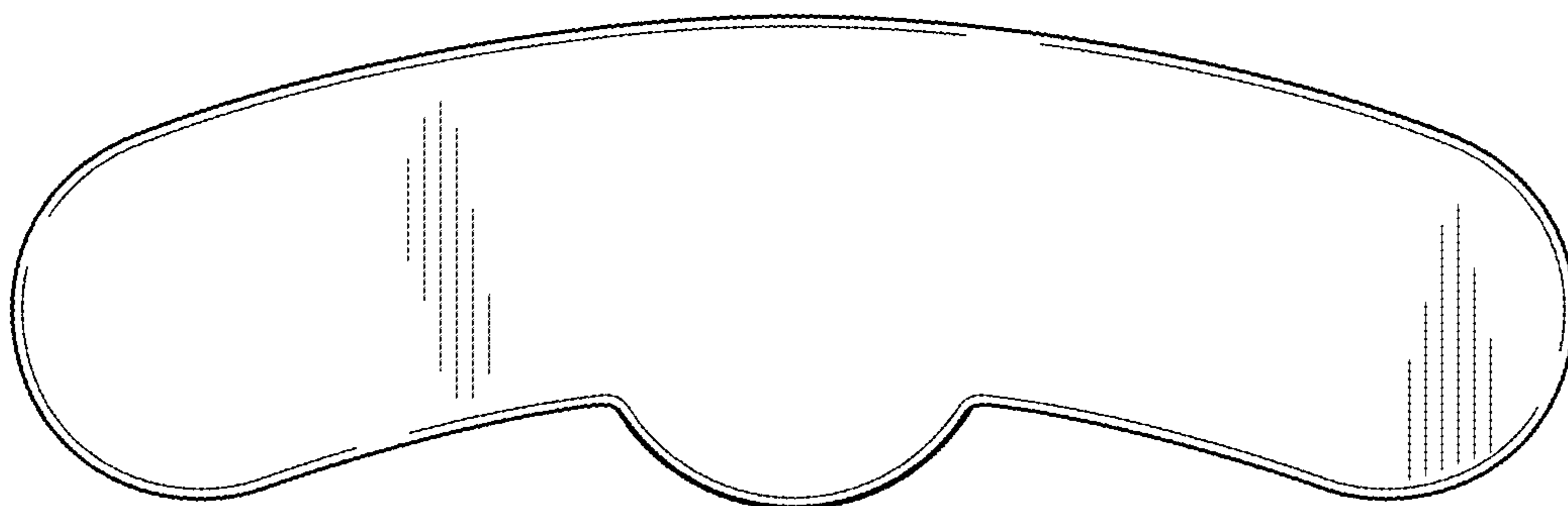


FIG. 24