



US00D960827S

(12) **United States Design Patent**
Wu

(10) **Patent No.:** **US D960,827 S**
(45) **Date of Patent:** **** Aug. 16, 2022**

(54) **BATTERY CHARGER**

(71) Applicant: **Fengming Wu**, Jiangxi (CN)

(72) Inventor: **Fengming Wu**, Jiangxi (CN)

(73) Assignee: **Jiangxi Baiying High-Tech Holdings Co., Ltd.**, Yingtan (CN)

(**) Term: **15 Years**

(21) Appl. No.: **29/767,823**

(22) Filed: **Jan. 26, 2021**

(51) **LOC (13) Cl.** **13-02**

(52) **U.S. Cl.**
USPC **D13/107**

(58) **Field of Classification Search**
USPC D13/102–110, 118, 119, 153, 154, 184,
D13/199

CPC Y02E 60/10; Y02E 60/12; Y02E 60/122;
Y02E 60/124; Y02E 60/50; H01M 2/02;
H01M 2/022; H01M 2/0202; H01M
2/0207; H01M 2/0212; H01M 2/1061;
H01M 2/1022; H01M 2/1055; H01M
2/1066; H01M 2/105; H01M 2/20; H01M
2/202; H01M 2/204; H01M 2/206; H01M
10/44; H01M 10/46; H01M 10/465;
H01M 10/482; H01M 10/4257; H01M
10/0436; H01M 10/48; H01M 2200/30;
H01M 2250/30; H01M 2250/40; H02J
7/00; H02J 7/0003; H02J 7/0011; H02J
7/0013; H02J 7/0054; H02J 7/0055; H02J
7/0057; H02J 7/0034; H02J 7/1423; H02J
2001/008; H02J 3/32; H02J 3/008; H02J
7/0027; Y02T 10/7005; Y02T 10/705;
Y02T 10/7088; B60R 16/03; B60L
11/1809; B60L 11/1861

See application file for complete search history.

(56) **References Cited**

U.S. PATENT DOCUMENTS

D793,955 S *	8/2017	Yang	D13/107
D795,802 S *	8/2017	Inagaki	D13/107
D813,162 S *	3/2018	Krantz	D13/110
D814,406 S *	4/2018	Yang	D13/107
D814,407 S *	4/2018	Yang	D13/107
D814,408 S *	4/2018	Yang	D13/107
D814,409 S *	4/2018	Yang	D13/107
D816,024 S *	4/2018	Yang	D13/107
D821,306 S *	6/2018	Liu	D13/107
D832,781 S *	11/2018	Nook	D13/107
D836,064 S *	12/2018	Liu	D13/102
D874,396 S *	2/2020	Rao	D13/107
D892,727 S *	8/2020	Gan	D13/103
D896,749 S *	9/2020	Wu	D13/107
D899,354 S *	10/2020	Liu	D13/102
D902,851 S *	11/2020	Wu	D13/107
D918,830 S *	5/2021	Chen	D13/103
D919,572 S *	5/2021	Lei	D13/110
D926,123 S *	7/2021	Zhu	D13/107
D926,124 S *	7/2021	Zhu	D13/107

(Continued)

Primary Examiner — Christy Nemeth

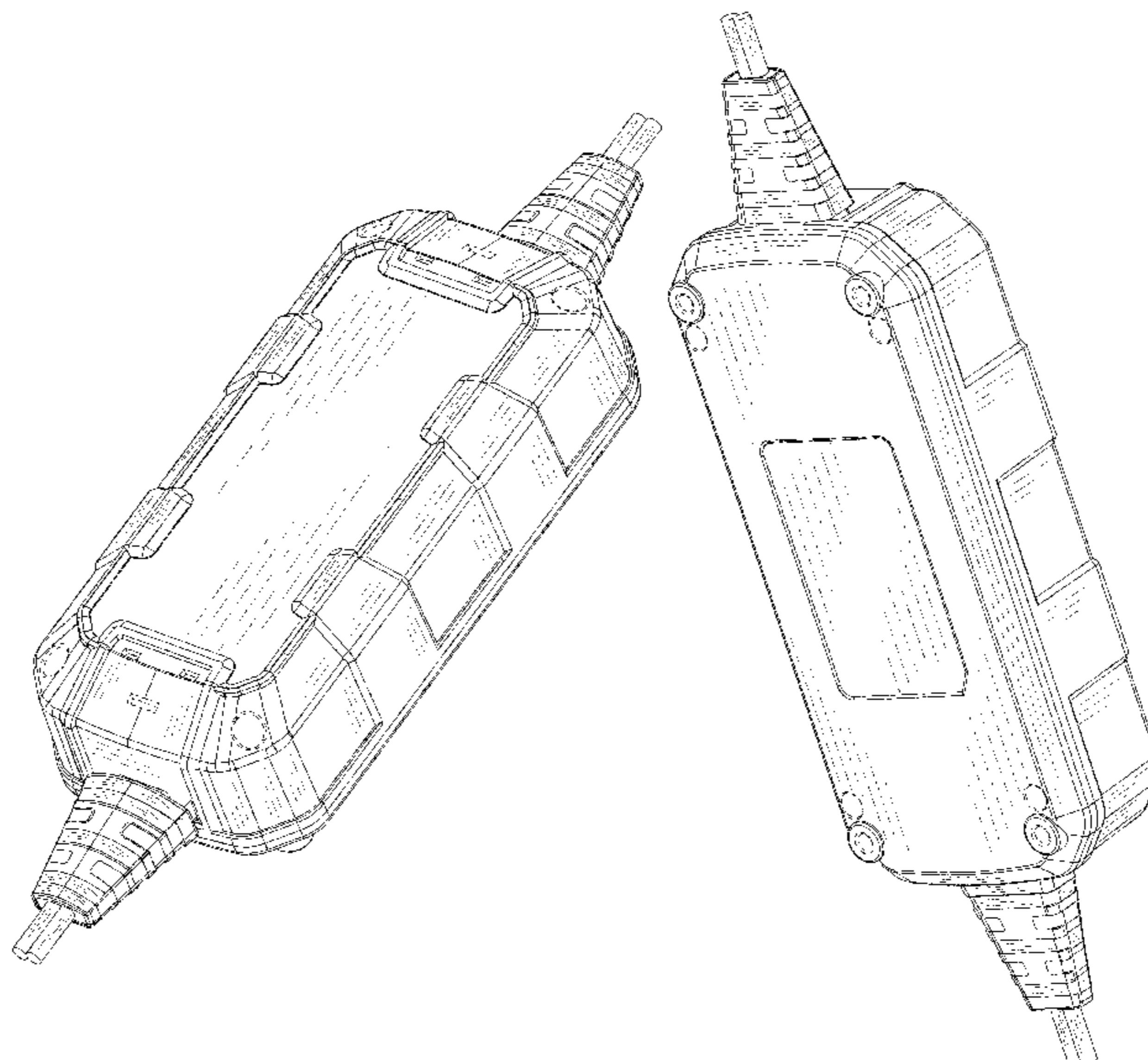
(57) **CLAIM**

The ornamental design for a battery charger, as shown and described.

DESCRIPTION

FIG. 1 is a perspective view of a battery charger showing my new design;
FIG. 2 is a front elevational view thereof;
FIG. 3 is a rear elevational view thereof;
FIG. 4 is a left side elevational view thereof;
FIG. 5 is a right side elevational view thereof;
FIG. 6 is a top plan view thereof;
FIG. 7 is a bottom plan view thereof; and,
FIG. 8 is another perspective view thereof.
The broken lines throughout the drawing figures depict portions of the battery charger that form no part of the claimed design.

1 Claim, 8 Drawing Sheets



(56)

References Cited

U.S. PATENT DOCUMENTS

D930,578 S *	9/2021	Zheng	D13/110
D934,793 S *	11/2021	Shu	D13/107
D937,763 S *	12/2021	Wang	D13/107
D942,931 S *	2/2022	Fang	D13/110
D943,516 S *	2/2022	Wang	D13/107
D944,191 S *	2/2022	Wang	D13/107
D944,725 S *	3/2022	Zeng	D13/103
D946,510 S *	3/2022	Xuan	D13/107
D953,258 S *	5/2022	Ye	D13/103

* cited by examiner

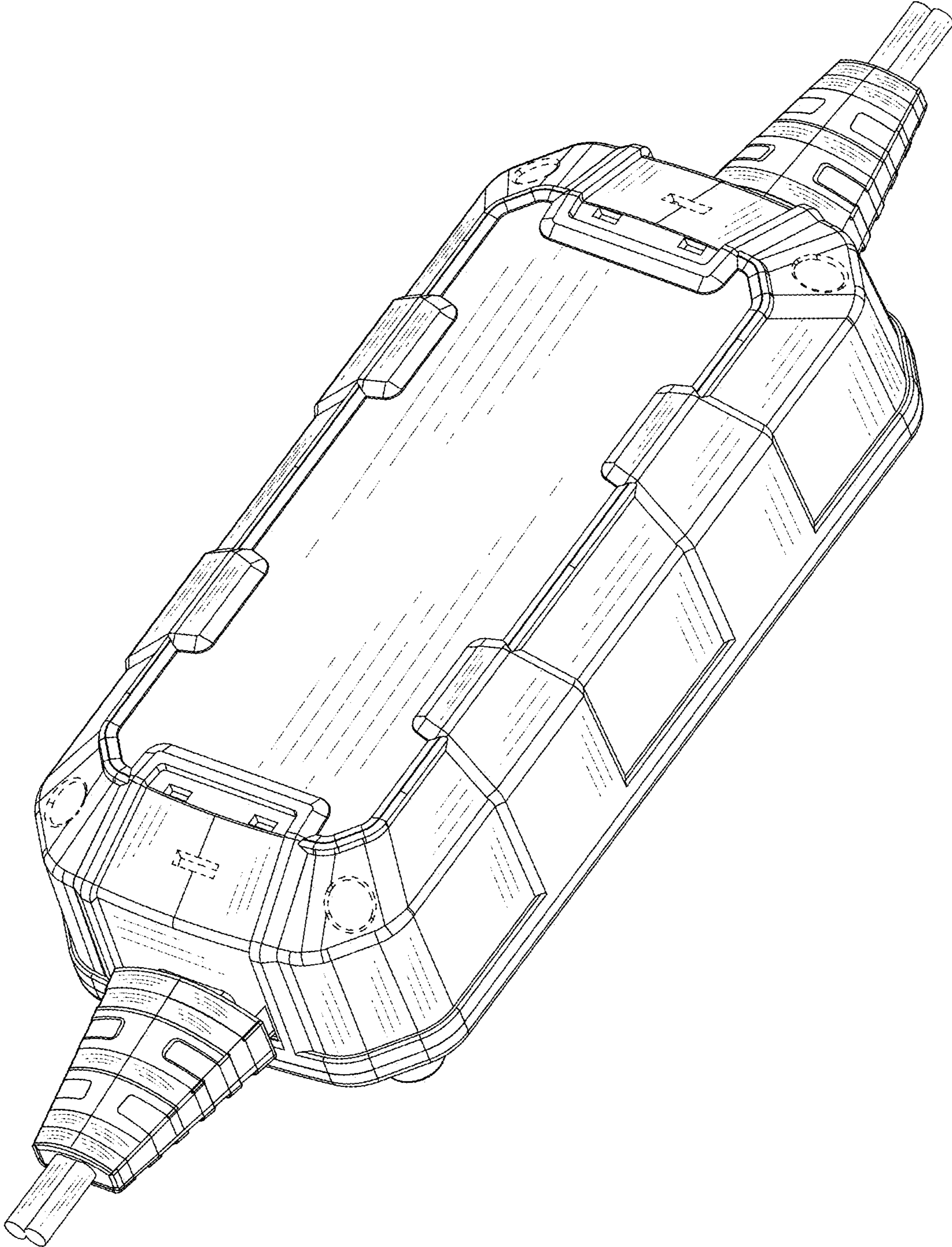


FIG.1

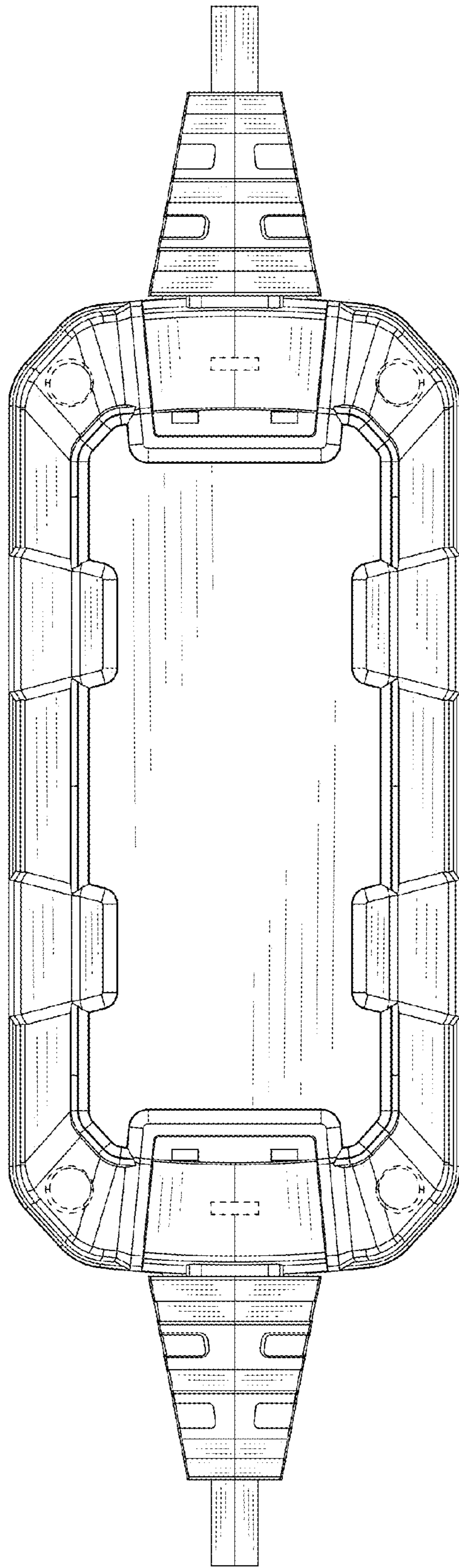


FIG.2

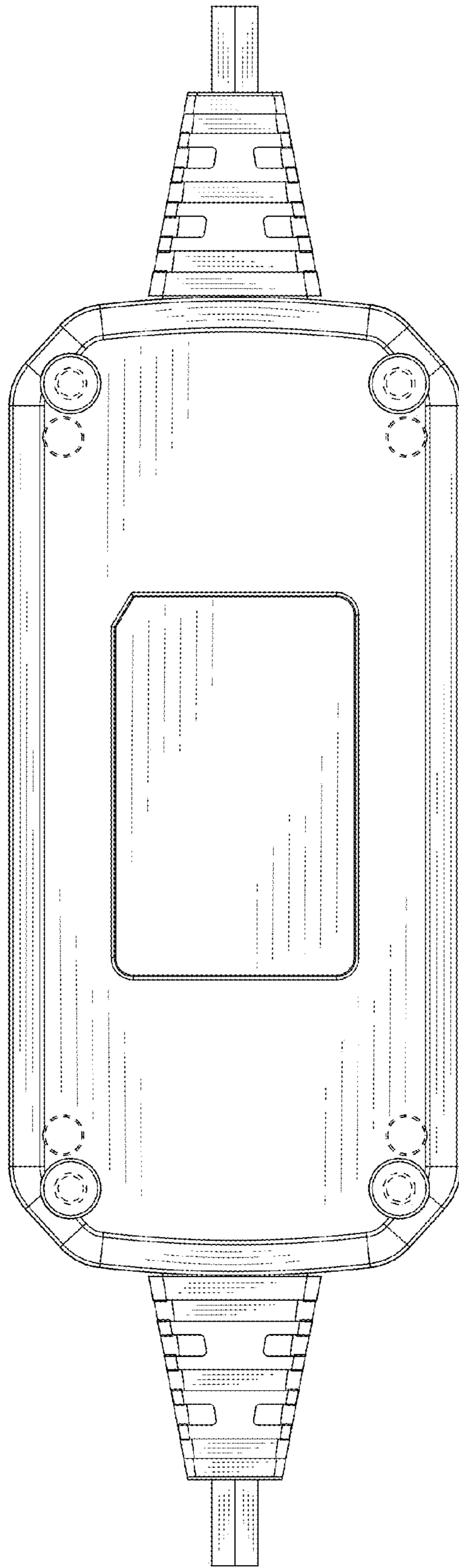


FIG.3

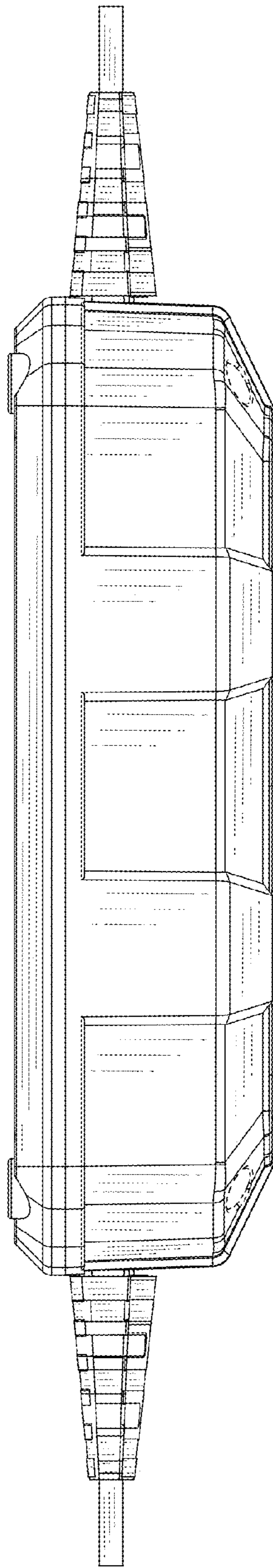


FIG.4

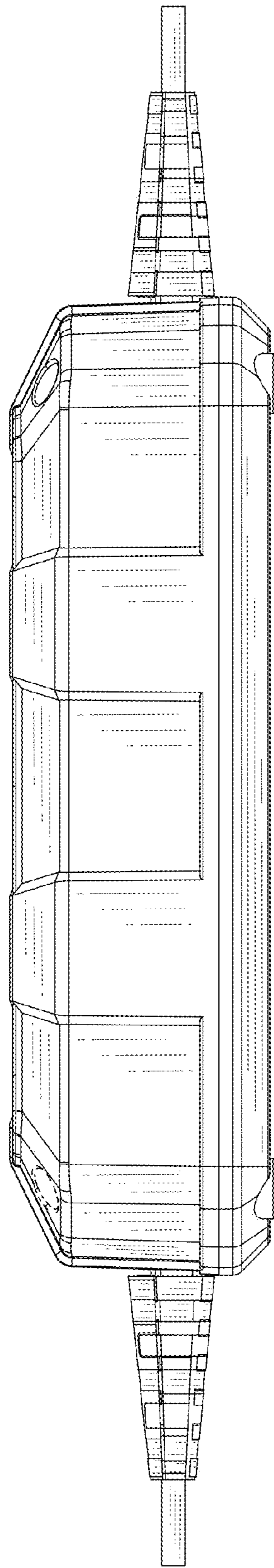


FIG.5

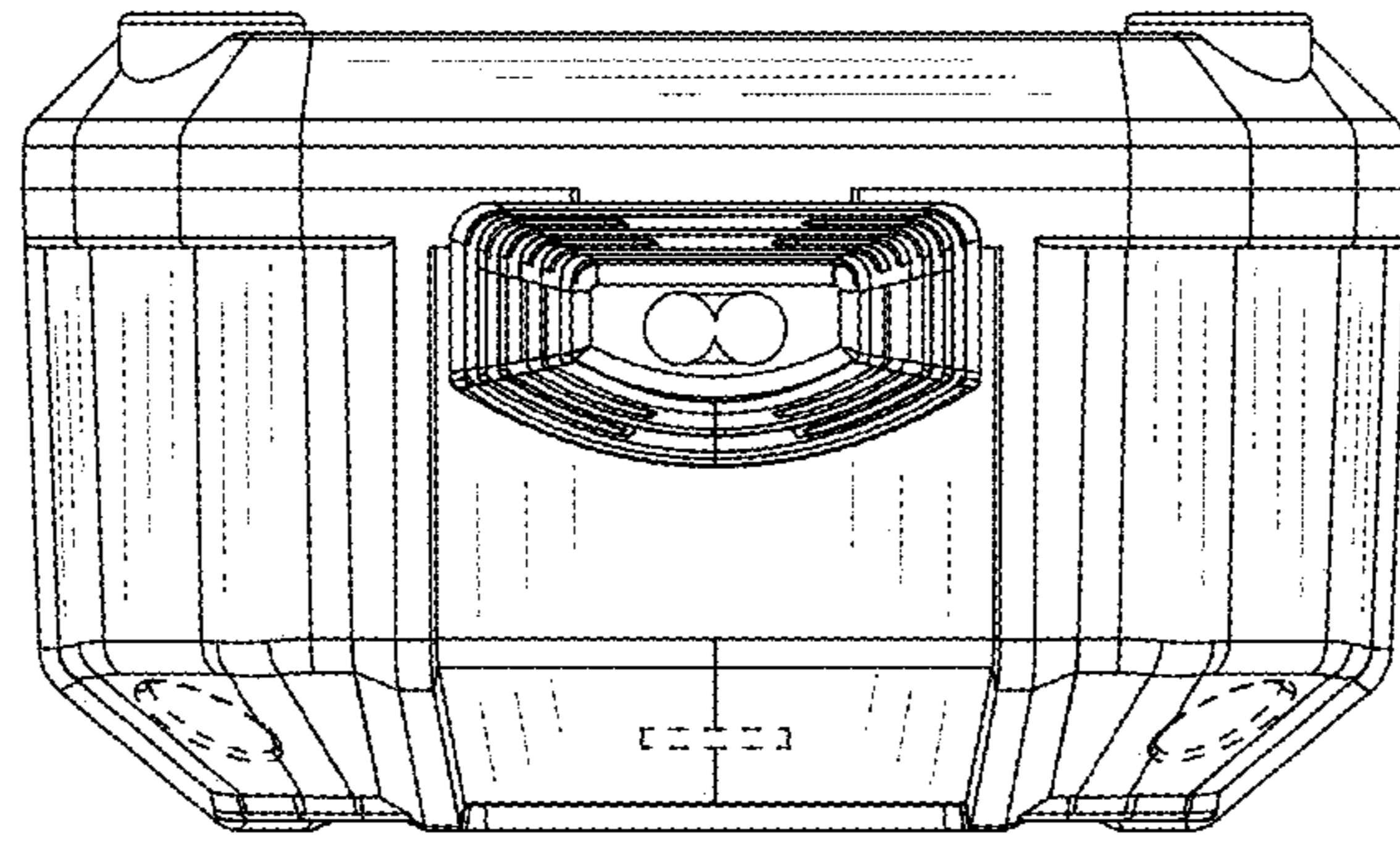


FIG.6

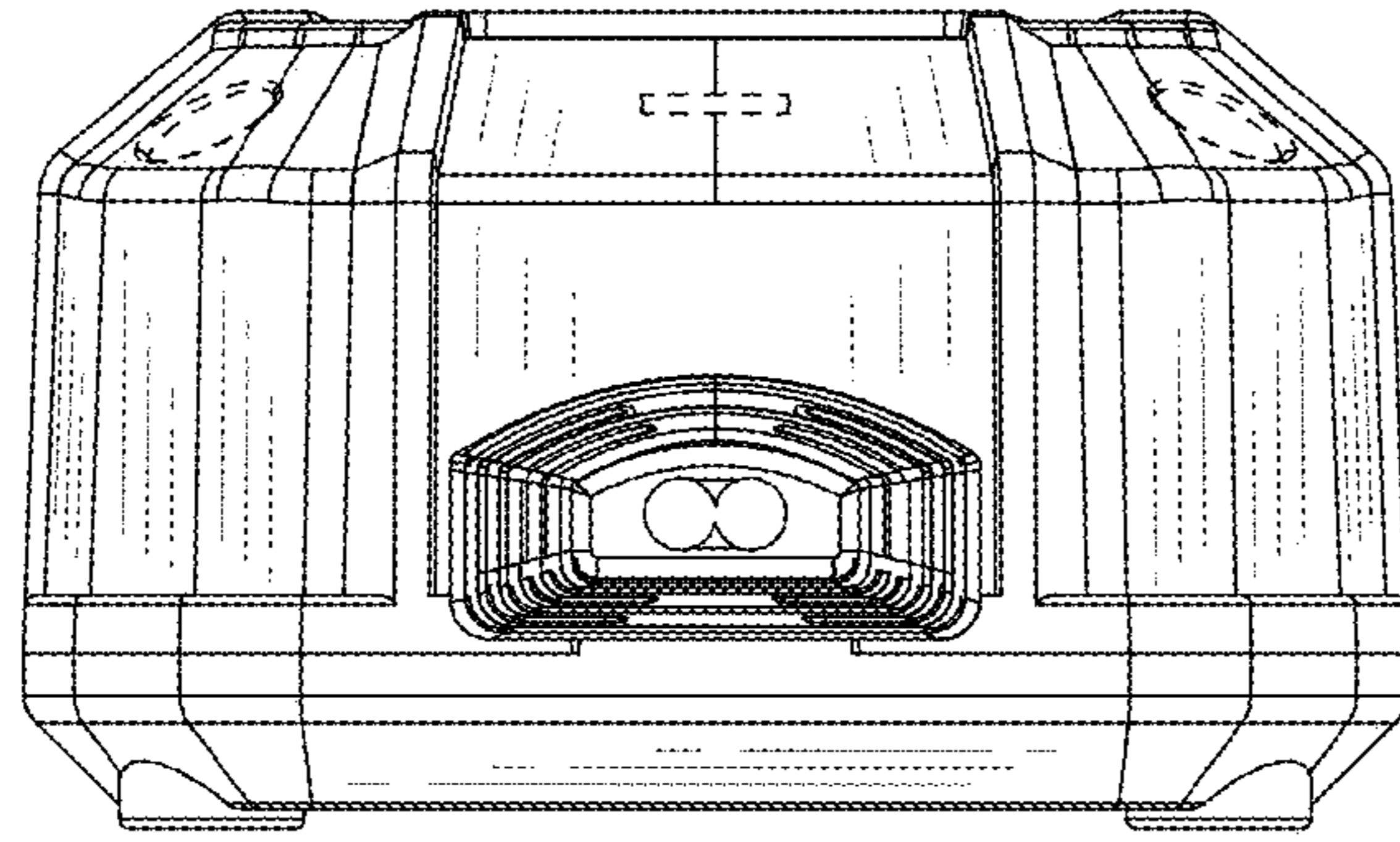


FIG.7

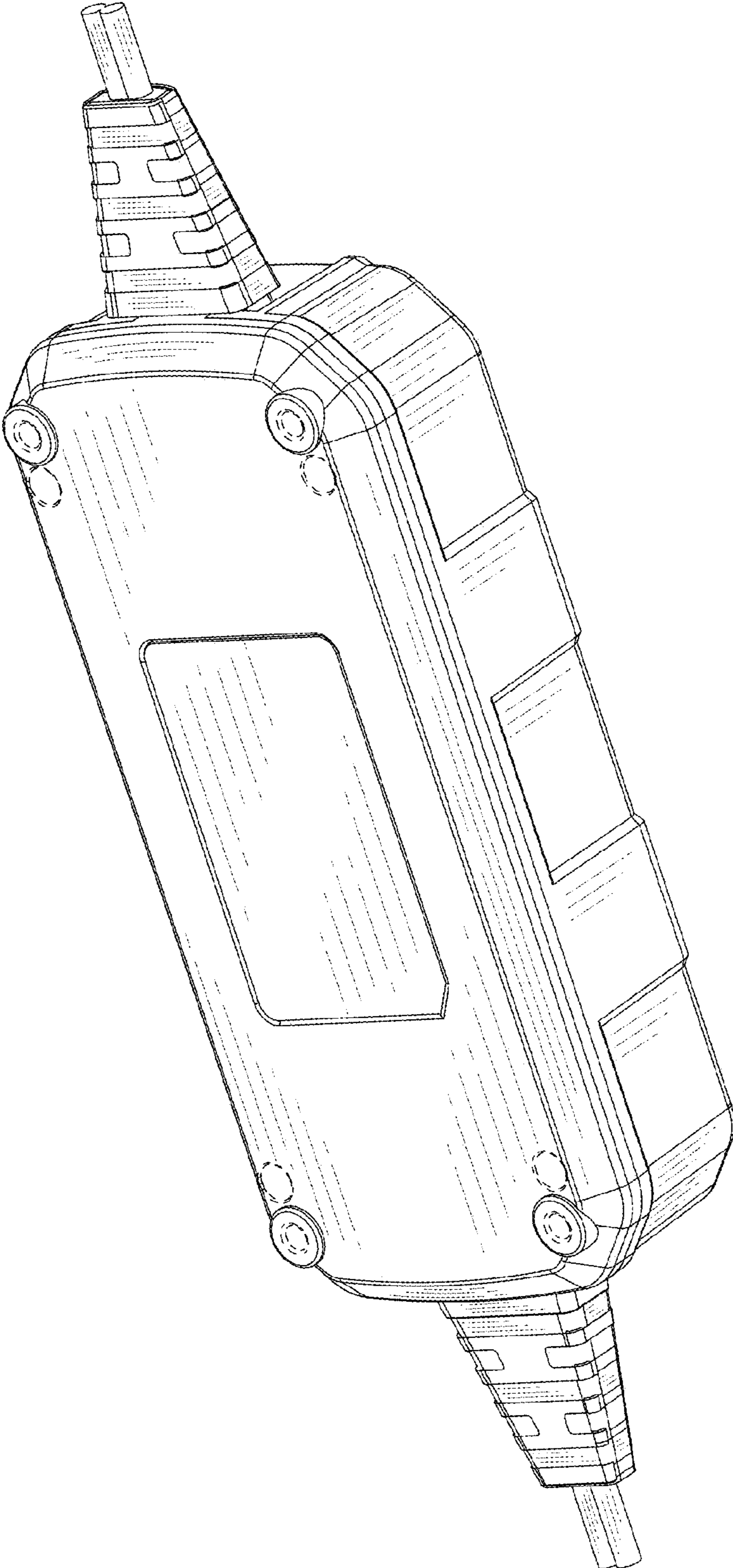


FIG.8