



US00D960826S

(12) **United States Design Patent** (10) **Patent No.:** **US D960,826 S**  
**Wu** (45) **Date of Patent:** **\*\* Aug. 16, 2022**

(54) **BATTERY CHARGER**

(71) Applicant: **Fengming Wu**, Jiangxi (CN)

(72) Inventor: **Fengming Wu**, Jiangxi (CN)

(73) Assignee: **Jiangxi Baiying High-Tech Holdings Co., Ltd.**, Yingtan (CN)

(\*\*) Term: **15 Years**

(21) Appl. No.: **29/767,821**

(22) Filed: **Jan. 26, 2021**

(51) **LOC (13) Cl.** ..... **13-02**

(52) **U.S. Cl.**  
USPC ..... **D13/107**

(58) **Field of Classification Search**  
USPC ..... D13/102-110, 118, 119, 153, 154, 184, D13/199

CPC ..... Y02E 60/10; Y02E 60/12; Y02E 60/122; Y02E 60/124; Y02E 60/50; H01M 2/02; H01M 2/022; H01M 2/0202; H01M 2/0207; H01M 2/0212; H01M 2/1061; H01M 2/1022; H01M 2/1055; H01M 2/1066; H01M 2/105; H01M 2/20; H01M 2/202; H01M 2/204; H01M 2/206; H01M 10/44; H01M 10/46; H01M 10/465; H01M 10/482; H01M 10/4257; H01M 10/0436; H01M 10/48; H01M 2200/30; H01M 2250/30; H01M 2250/40; H02J 7/00; H02J 7/0003; H02J 7/0011; H02J 7/0013; H02J 7/0054; H02J 7/0055; H02J 7/0057; H02J 7/0034; H02J 7/1423; H02J 2001/008; H02J 3/32; H02J 3/008; H02J 7/0027; Y02T 10/7005; Y02T 10/705; Y02T 10/7088; B60R 16/03; B60L 11/1809; B60L 11/1861

See application file for complete search history.

(56) **References Cited**

U.S. PATENT DOCUMENTS

D449,030	S	*	10/2001	Baxter	.....	D13/110
D454,537	S	*	3/2002	O'Connor	.....	D13/110
D473,515	S	*	4/2003	Salazar	.....	D13/107
D705,725	S	*	5/2014	Ryu	.....	D13/108
D731,966	S	*	6/2015	Rabalais	.....	D13/107
D821,971	S	*	7/2018	Yang	.....	D13/107
D823,801	S	*	7/2018	Ouyang	.....	D13/110
D829,647	S	*	10/2018	Yang	.....	D13/107
D867,287	S	*	11/2019	Akana	.....	D13/110
D879,711	S	*	3/2020	Ruiwu	.....	D13/108
D879,712	S	*	3/2020	Fan	.....	D13/108
D888,666	S	*	6/2020	Zhang	.....	D13/110
D900,738	S	*	11/2020	Liu	.....	D13/108
D924,135	S	*	7/2021	England	.....	D13/110
D929,328	S	*	8/2021	Akana	.....	D13/110
D931,815	S	*	9/2021	Hong	.....	D13/108
D937,208	S	*	11/2021	Liu	.....	D13/108
D938,352	S	*	12/2021	Zhang	.....	D13/108
D938,909	S	*	12/2021	Yuan	.....	D13/108
D939,435	S	*	12/2021	Feng	.....	D13/107

(Continued)

*Primary Examiner* — Christy Nemeth

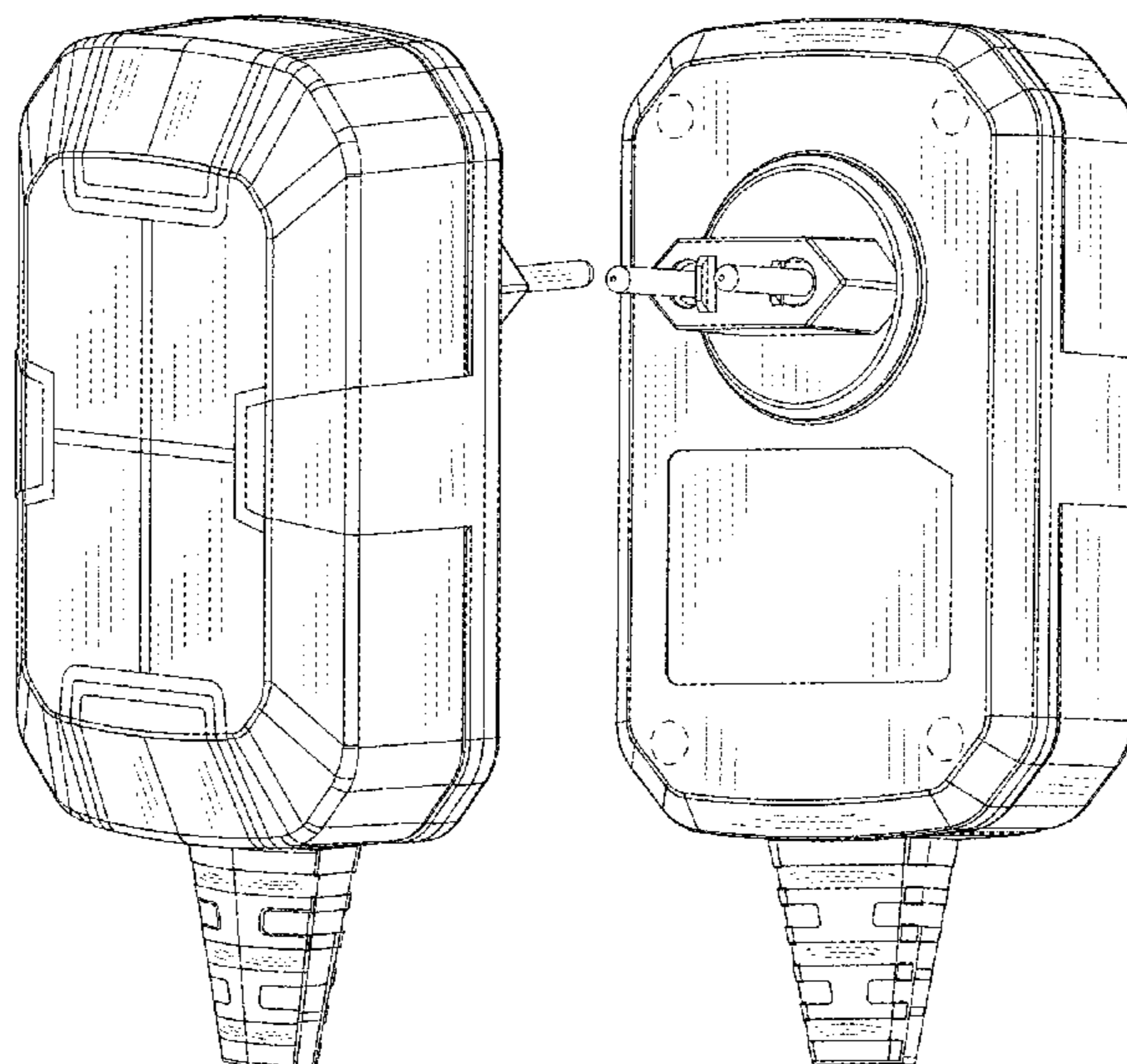
(57) **CLAIM**

The ornamental design for a battery charger, as shown and described.

**DESCRIPTION**

FIG. 1 is a perspective view of a battery charger showing my new design;  
FIG. 2 is a front elevational view thereof;  
FIG. 3 is a rear elevational view thereof;  
FIG. 4 is a left side elevational view thereof;  
FIG. 5 is a right side elevational view thereof;  
FIG. 6 is a top plan view thereof;  
FIG. 7 is a bottom plan view thereof; and,  
FIG. 8 is another perspective view thereof.  
The broken lines throughout the drawing figures depict portions of the battery charger that form no part of the claimed design.

**1 Claim, 8 Drawing Sheets**



(56)

**References Cited**

U.S. PATENT DOCUMENTS

D939,440	S	*	12/2021	Guo	.....	D13/108
D941,241	S	*	1/2022	Wu	.....	D13/108
D942,383	S	*	2/2022	Wu	.....	D13/108
D942,384	S	*	2/2022	Wu	.....	D13/108
D942,385	S	*	2/2022	Wu	.....	D13/108
D942,388	S	*	2/2022	Li	.....	D13/108
D946,520	S	*	3/2022	Spinella	.....	D13/110
D948,428	S	*	4/2022	Li	.....	D13/108
D948,436	S	*	4/2022	Peng	.....	D13/110
D951,865	S	*	5/2022	Ning	.....	D13/110

\* cited by examiner

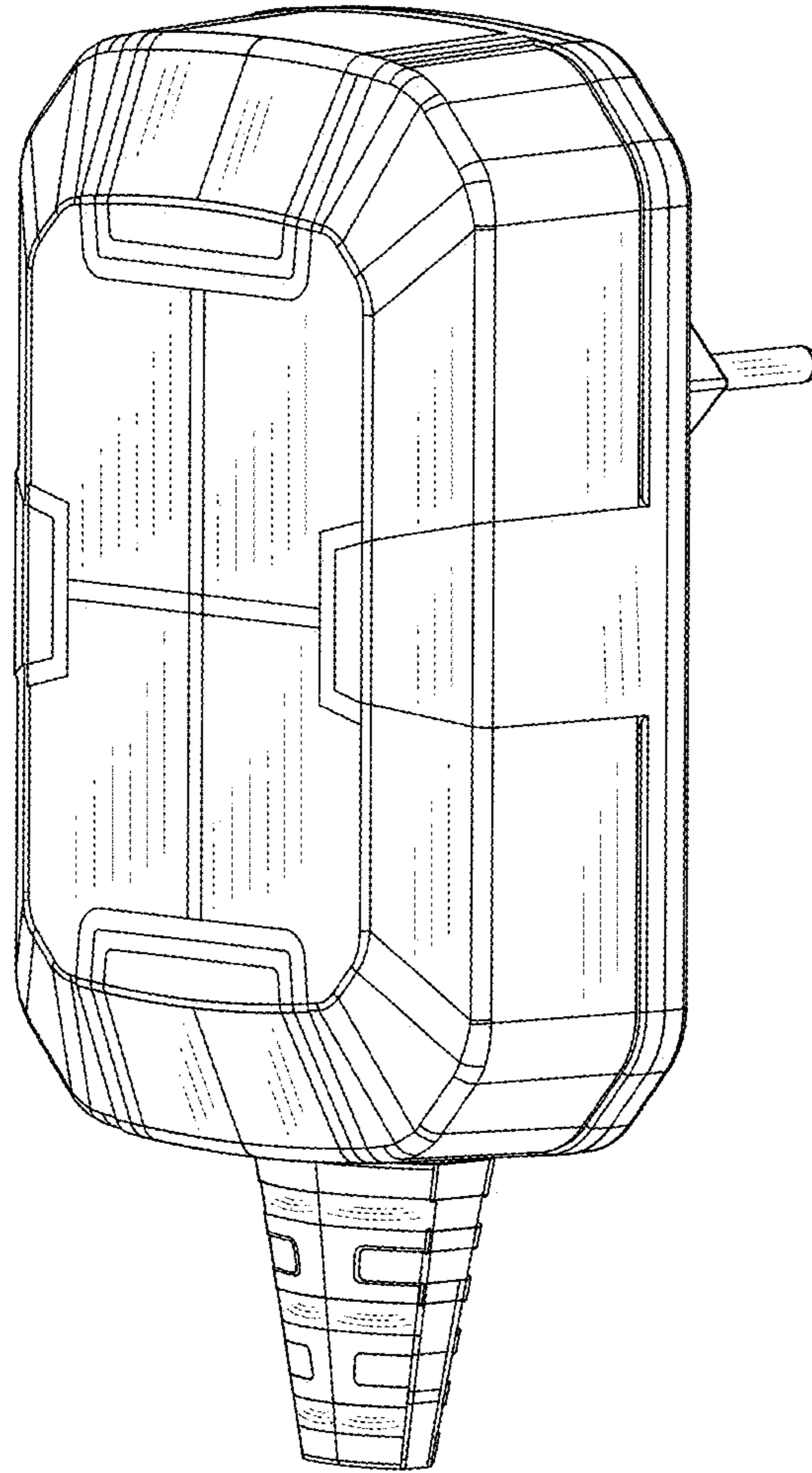


FIG.1

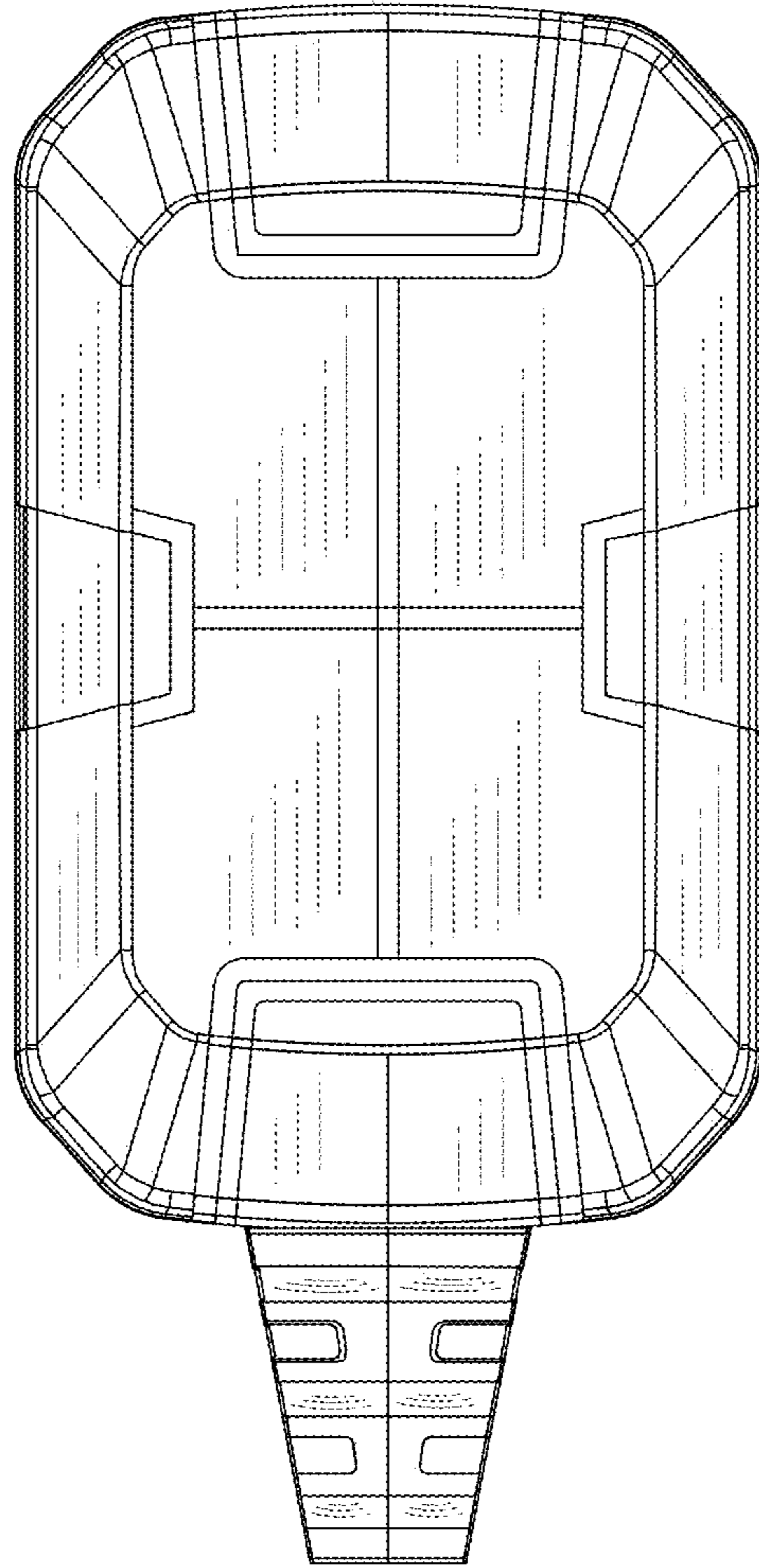


FIG.2

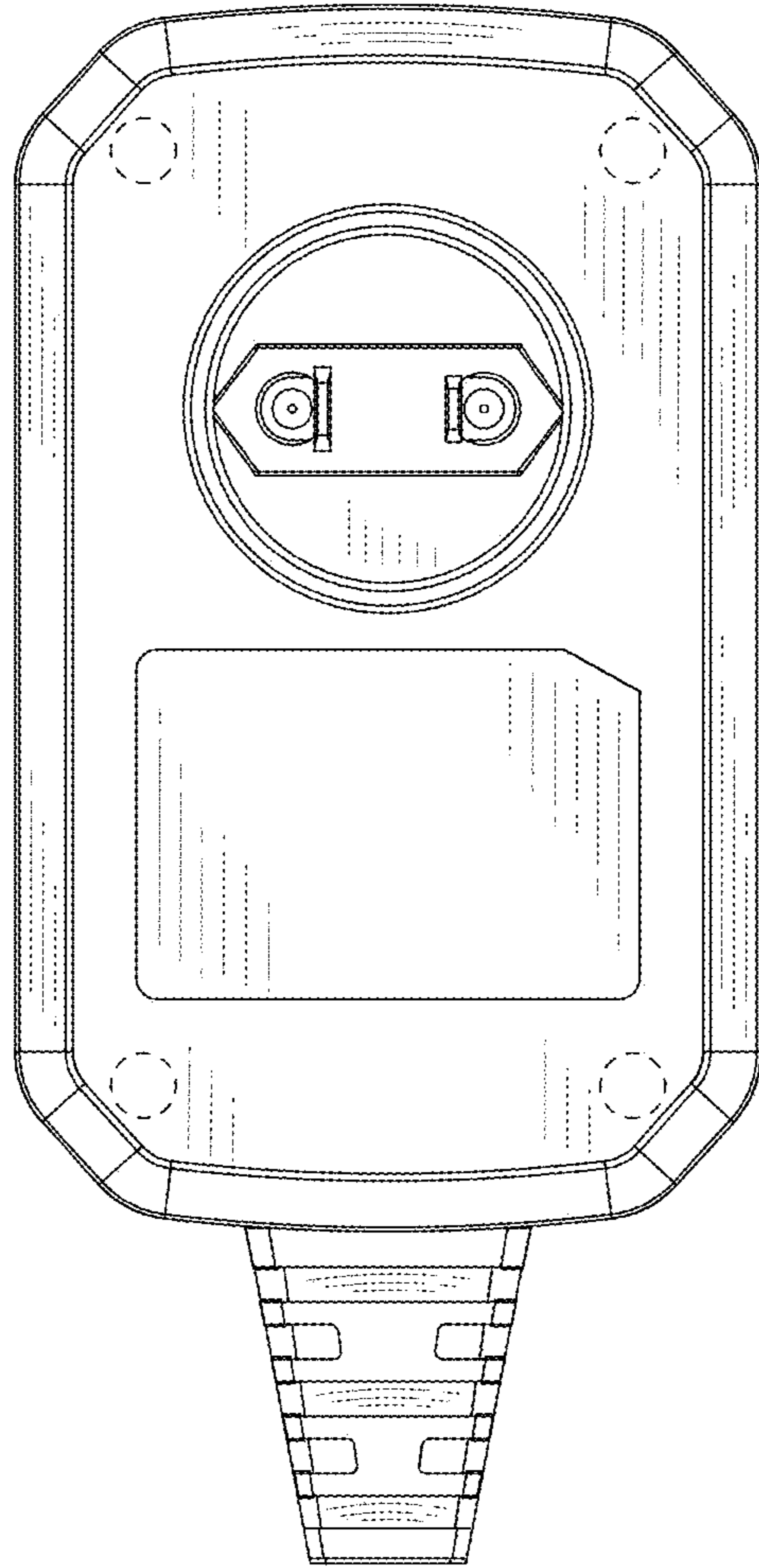


FIG.3



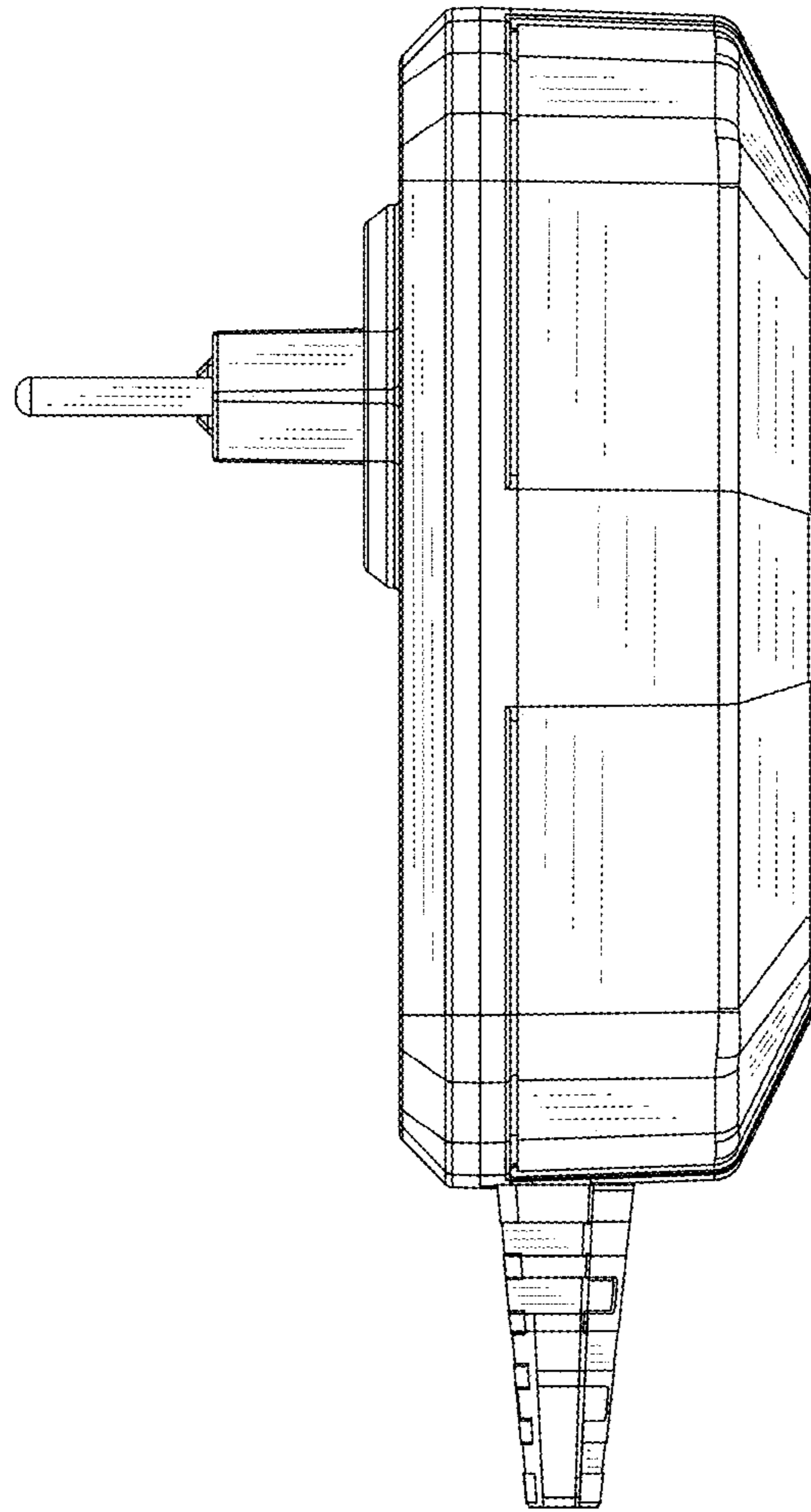


FIG.4

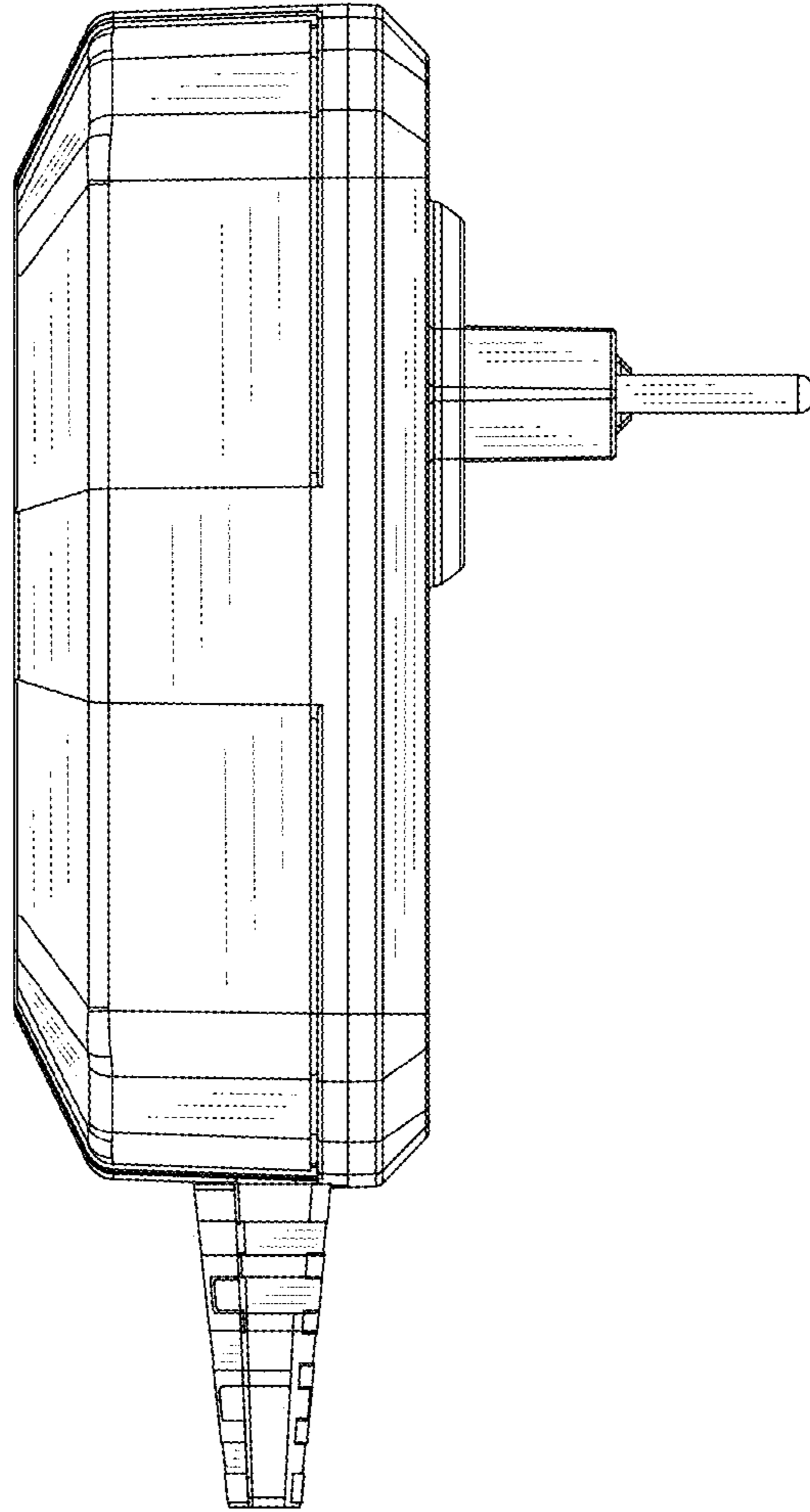


FIG.5

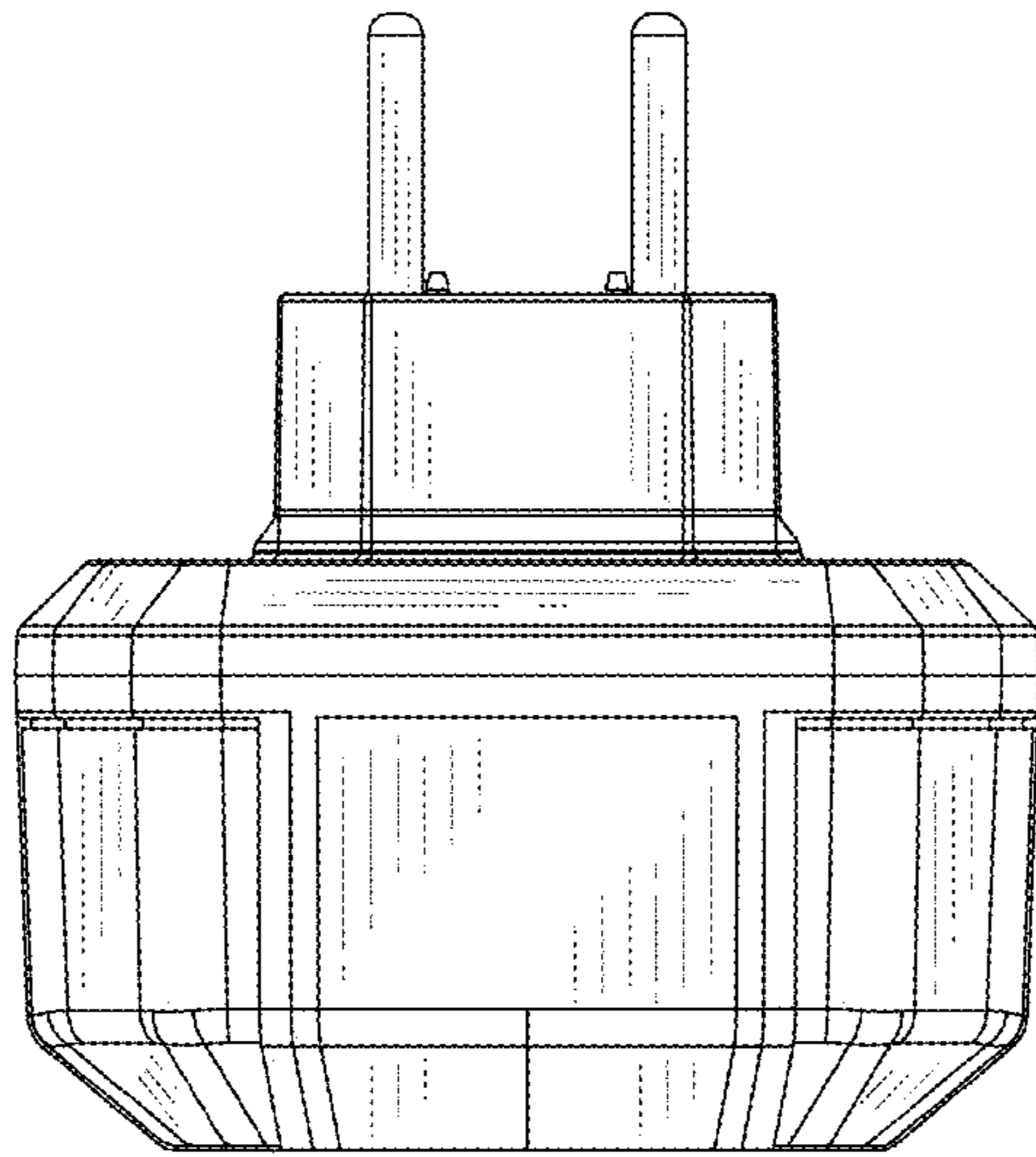


FIG.6



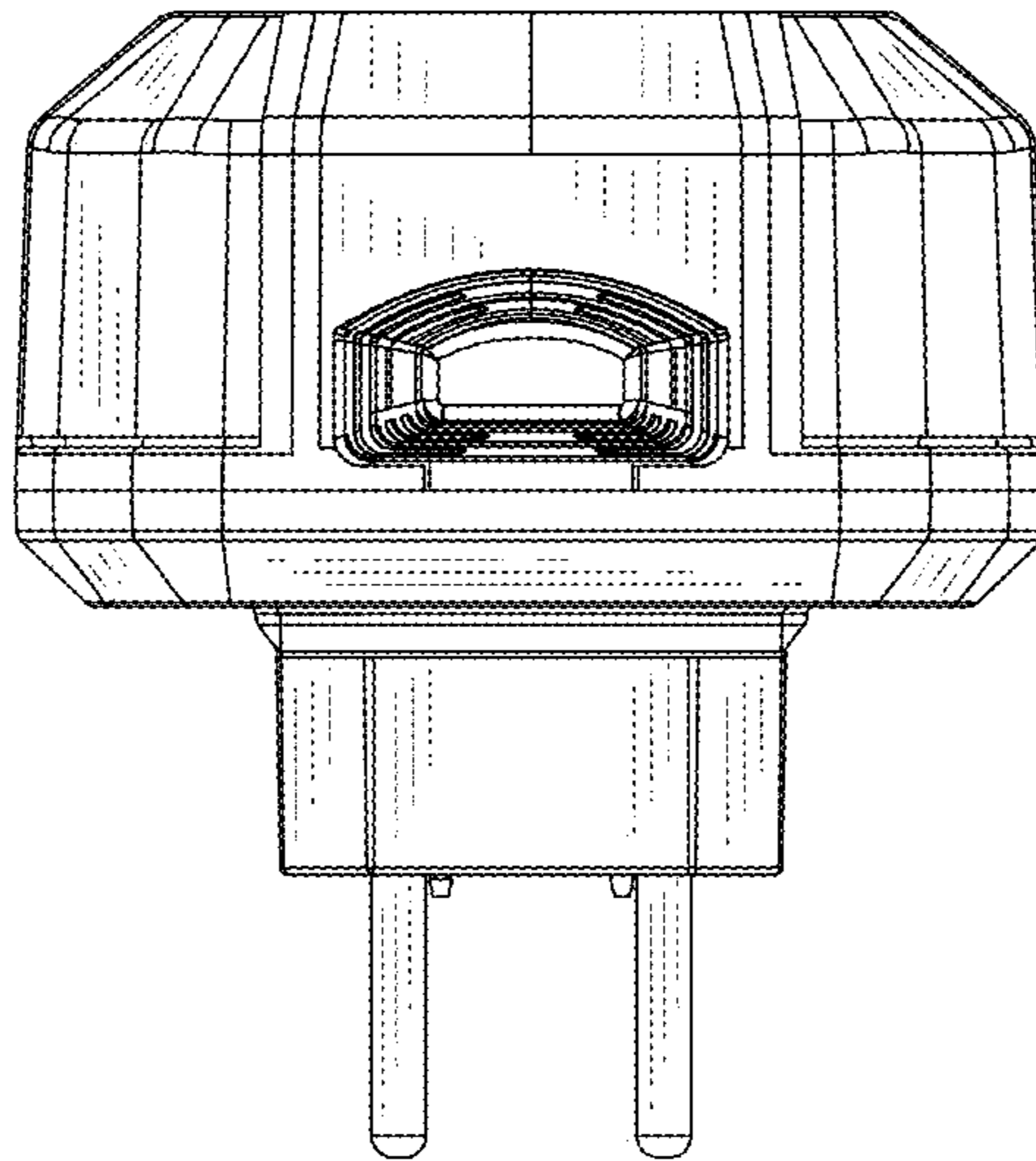


FIG.7

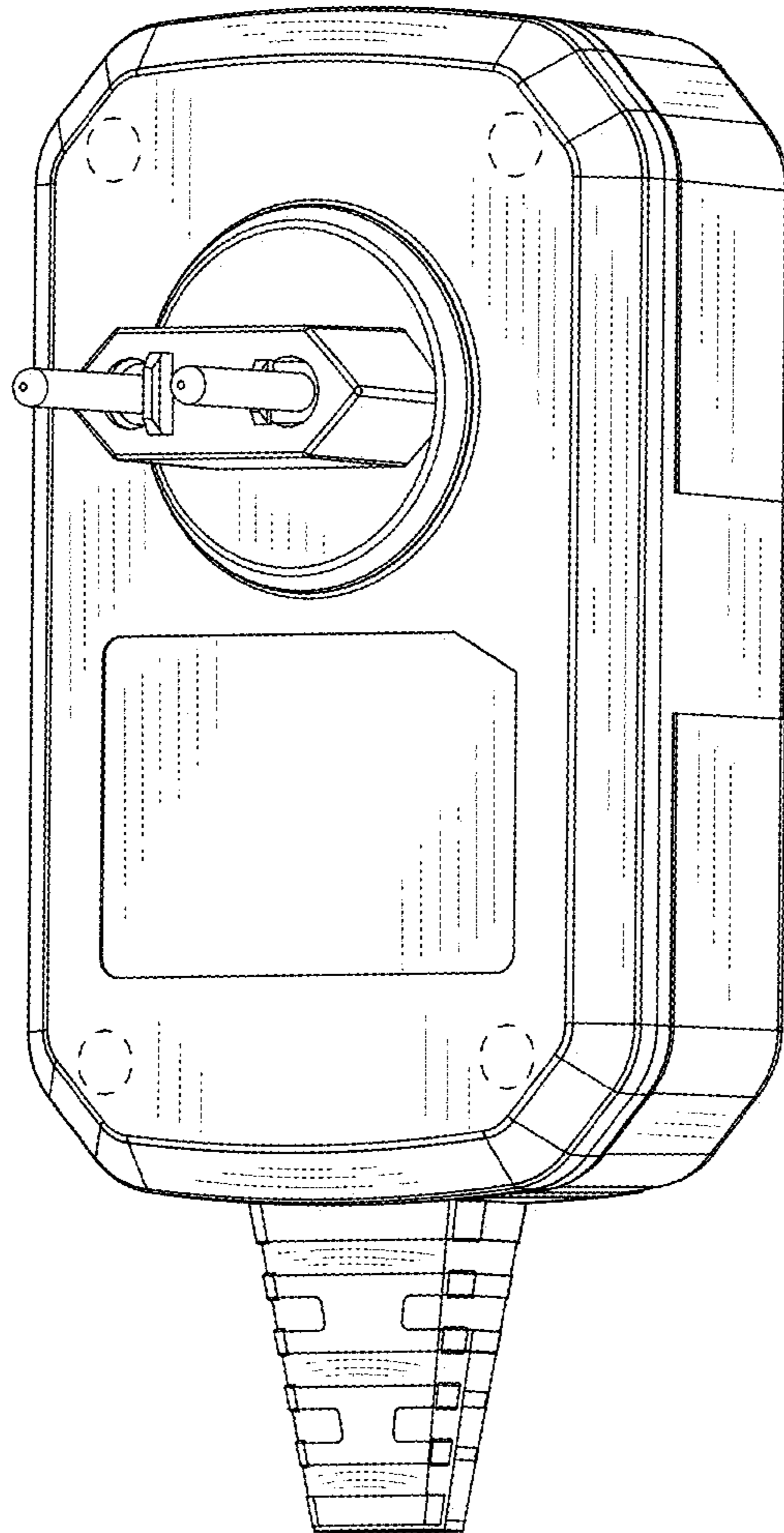


FIG.8