



US00D960825S

(12) **United States Design Patent** (10) **Patent No.:** **US D960,825 S**
Holm (45) **Date of Patent:** **** Aug. 16, 2022**

(54) **BATTERY ADAPTER**

(71) Applicant: **Glayden Holm**, Minersville, UT (US)
(72) Inventor: **Glayden Holm**, Minersville, UT (US)
(**) Term: **15 Years**
(21) Appl. No.: **29/746,176**
(22) Filed: **Aug. 12, 2020**
(51) **LOC (13) Cl.** **13-02**
(52) **U.S. Cl.**
USPC **D13/103**
(58) **Field of Classification Search**
USPC D13/103, 104, 107, 108, 118, 119, 120,
D13/121, 122, 133, 146, 153, 154, 156,
D13/184, 199
CPC H01R 3/00; H01R 29/00; H02J 7/00047
See application file for complete search history.

(56) **References Cited**

U.S. PATENT DOCUMENTS

| | | | | |
|-------------------|--------|--------------|-------|-------------------------|
| D251,905 S * | 5/1979 | Kaye | | D13/103 |
| D328,733 S * | 8/1992 | Seymour | | D13/103 |
| D358,128 S * | 5/1995 | Berry | | D13/103 |
| 5,745,579 A * | 4/1998 | Newman | | H04M 1/0262 379/450 |
| D398,578 S * | 9/1998 | Chambers | | D13/103 |
| D410,893 S * | 6/1999 | Chintala | | D13/103 |
| 6,243,596 B1 * | 6/2001 | Kikinis | | H04L 67/2842 455/566 |
| D525,581 S * | 7/2006 | Rad | | D13/103 |
| D703,619 S * | 4/2014 | Wilkins, III | | D13/156 |
| D911,270 S * | 2/2021 | Li | | D13/103 |
| D922,941 S * | 6/2021 | Antonio | | D13/103 |
| 2014/0151079 A1 * | 6/2014 | Furui | | B25F 5/02 173/171 |
| 2020/0185941 A1 * | 6/2020 | Lee | | H02J 7/00047 |

OTHER PUBLICATIONS

“Enermall Adapter”. Found online Feb. 8, 2022 at amazon.com. Reference dated Jul. 16, 2019. Retrieved from https://www.amazon.com/HPA1820-Adapter-Battery-HPB18-OPE-244760-00/dp/B07VGFR9MS/ref=asc_df_B07VGFR9MS/. (Year: 2019).*
“Motorola Earpiece Adaptor”. Found online Feb. 8, 2022 at amazon.ae. Reference dated Jun. 26, 2020. Retrieved from <https://www.amazon.ae/Earpiece-Adaptor-MOTOROLA-Radio-GP1280/dp/B007XZLJ9Q>. (Year: 2020).*
“Yamaha Motor Battery Pack & Charger”. Found online Feb. 9, 2022 at global.yamaha-motor.com. Reference dated Sep. 28, 2017. Retrieved from https://tineye.com/search/e6389d30b20d1259612cb7ea5151c2fafdcdded95?sort=crawl_date&order=asc&page=1. (Year: 2017).*

* cited by examiner

Primary Examiner — Kendra Leslie Hamilton

Assistant Examiner — Amanda Christensen

(74) *Attorney, Agent, or Firm* — Gurr Brande & Spendlove, PLLC; Robert A. Gurr

(57) **CLAIM**

The ornamental design for a battery adapter, as shown and described.

DESCRIPTION

FIG. 1 is a top, front perspective view of a battery adapter; FIG. 2 is a top plan view thereof; FIG. 3 is a front elevation view thereof; FIG. 4 is a bottom plan view thereof; FIG. 5 is a right side elevation view thereof; FIG. 6 is a left side elevation view thereof; and, FIG. 7 is a rear elevation view thereof. The broken lines shown in the drawings depict portions of the battery adapter that form no part of the claimed design.

1 Claim, 4 Drawing Sheets

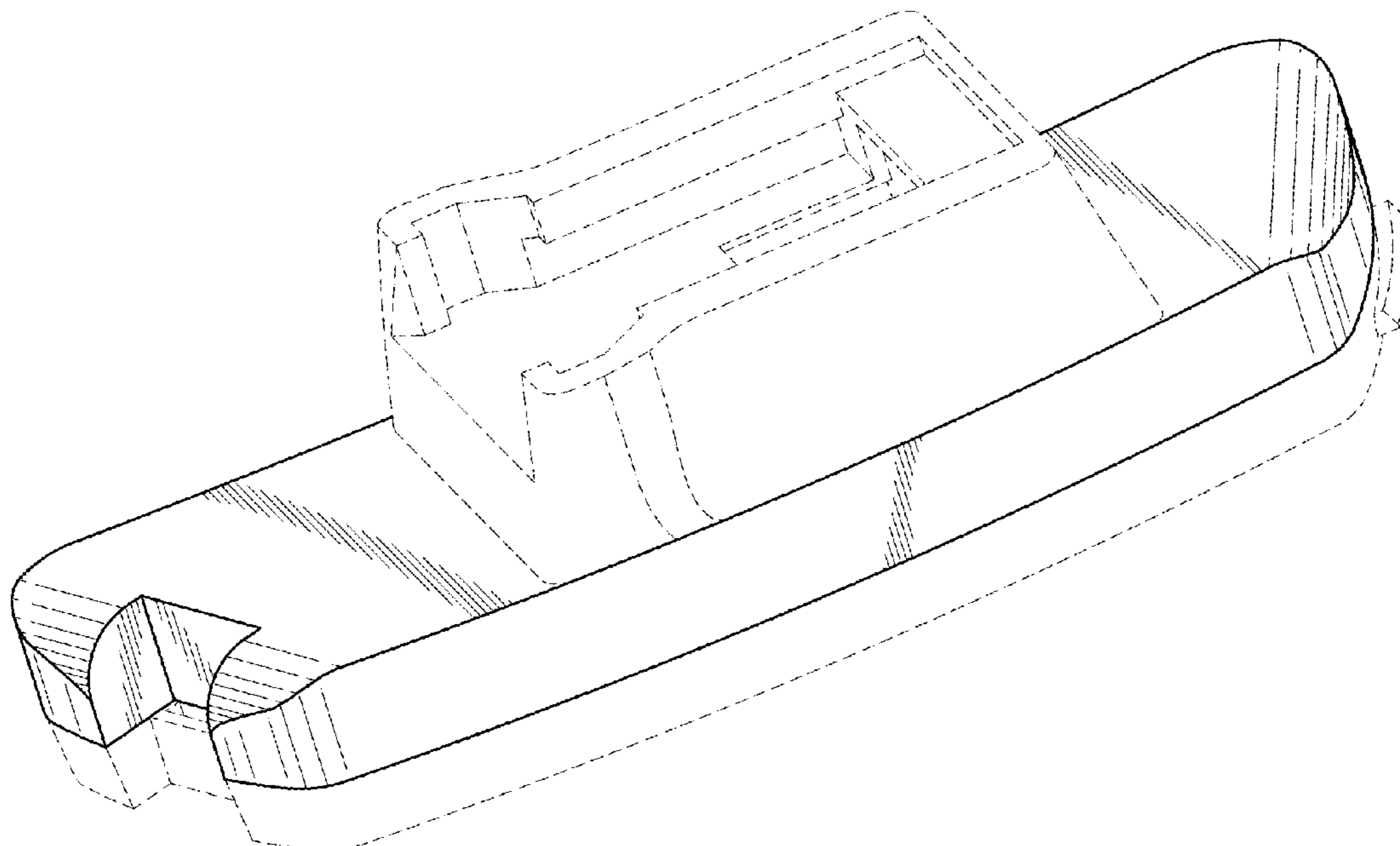


FIG. 1

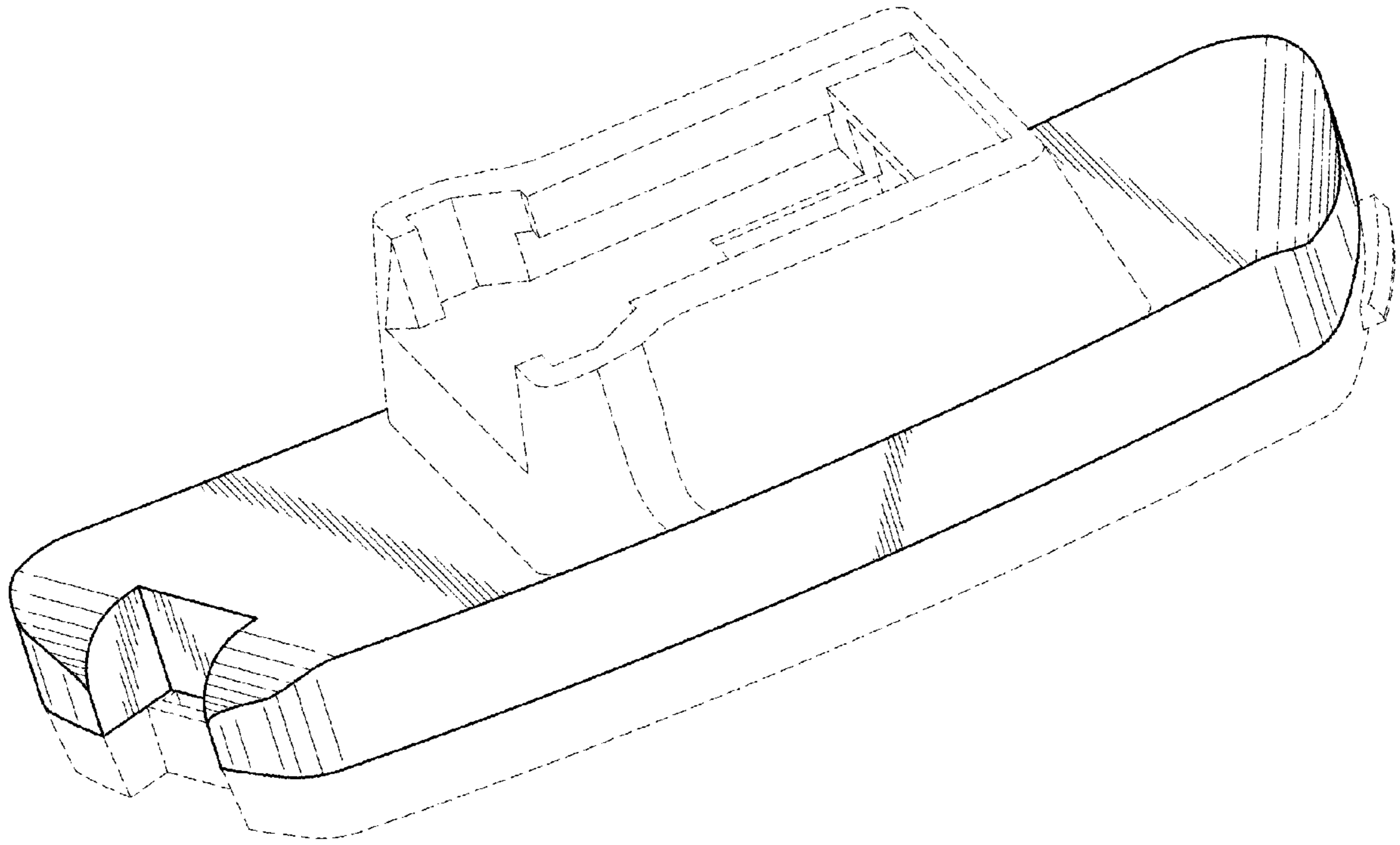


FIG. 2

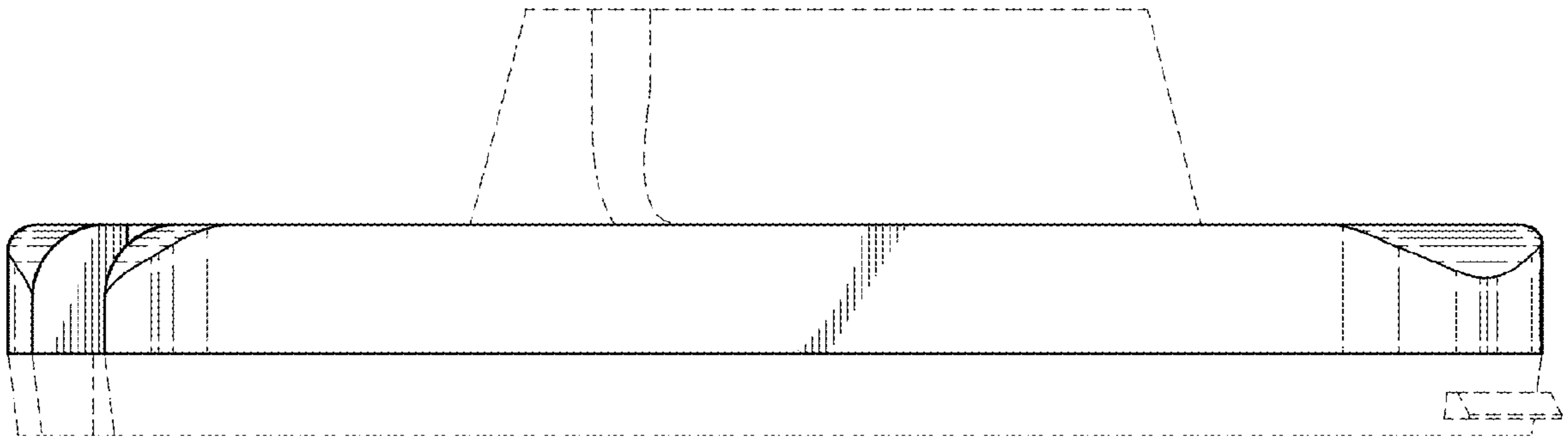


FIG. 3

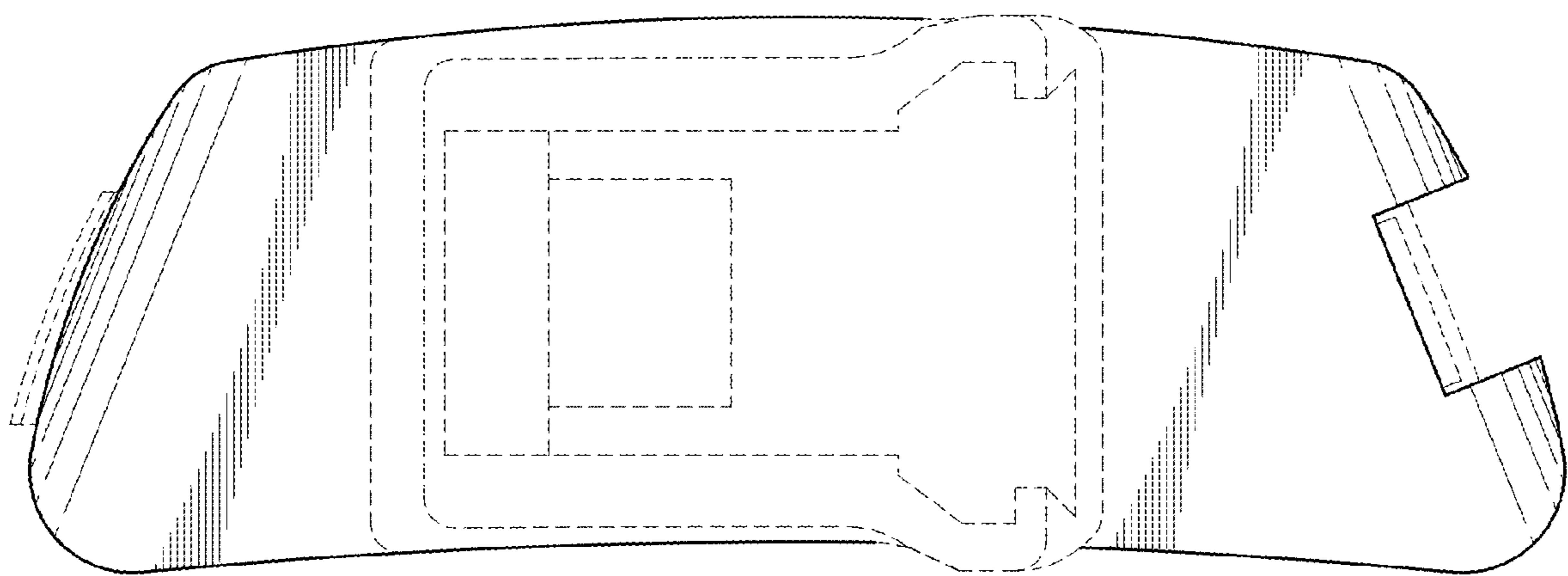


FIG. 4

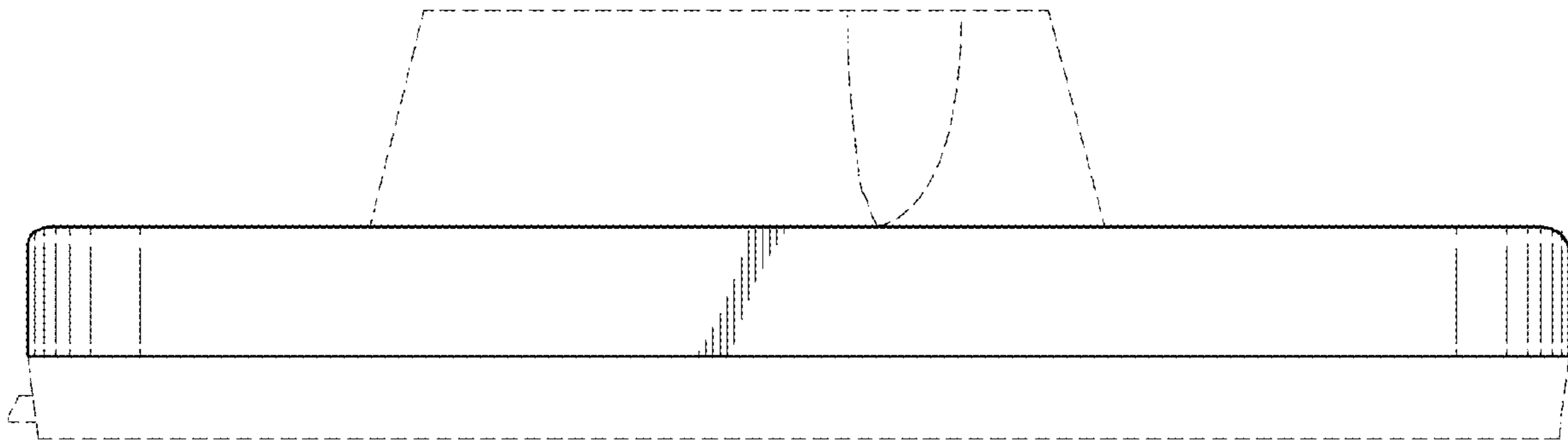


FIG. 5

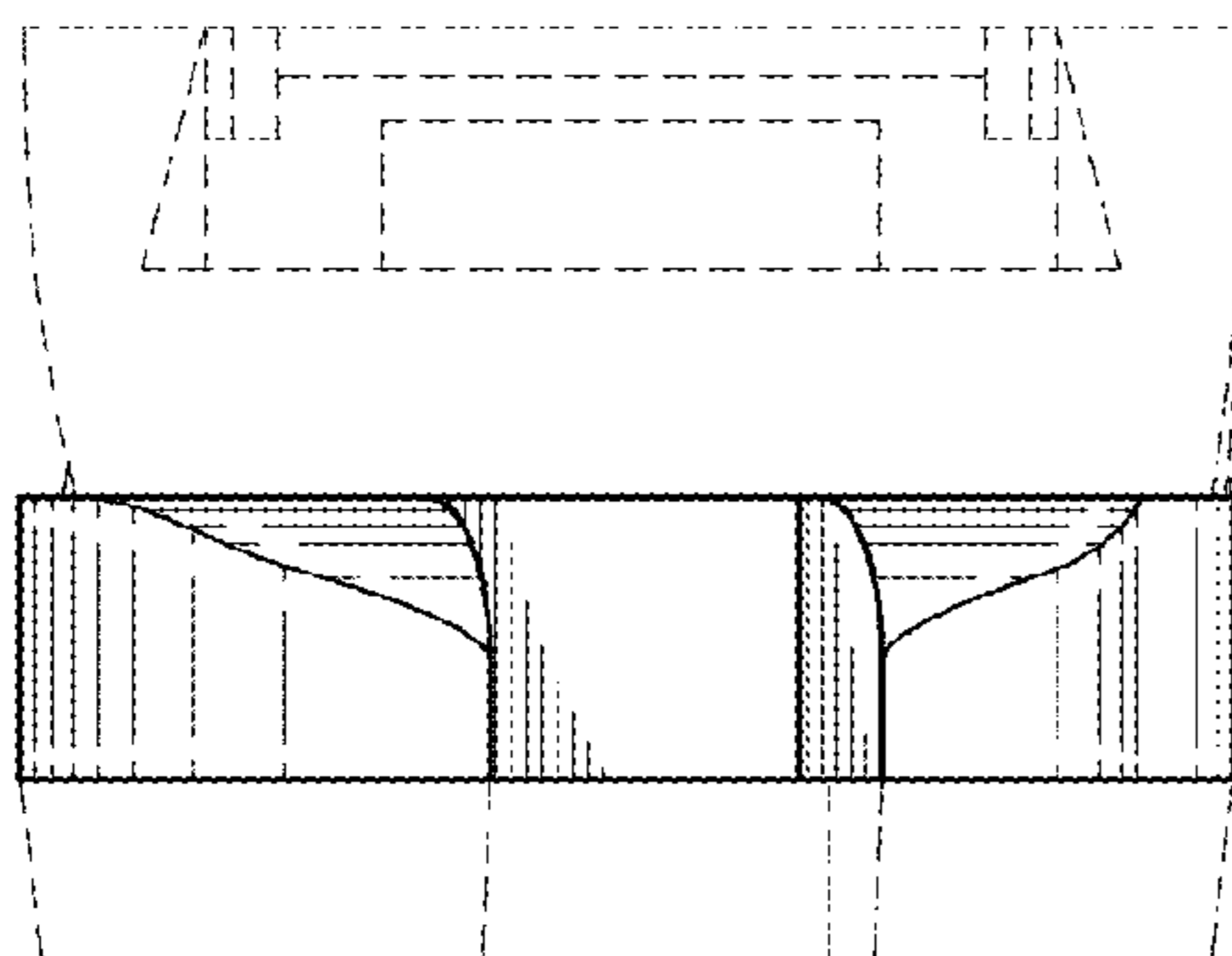


FIG. 6

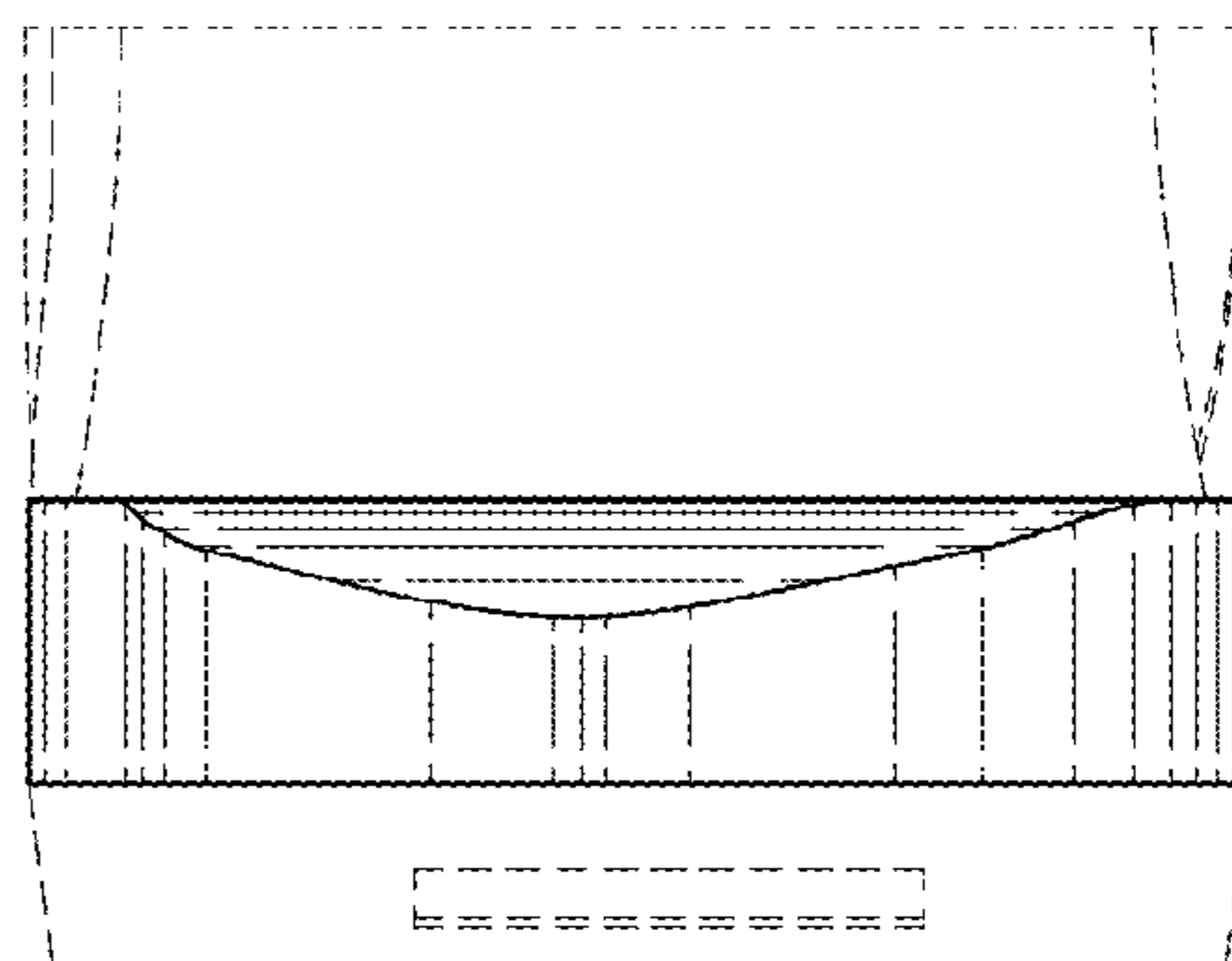


FIG. 7

