



US00D960821S

(12) **United States Design Patent** (10) **Patent No.:** **US D960,821 S**
Thieman (45) **Date of Patent:** **** Aug. 16, 2022**

- (54) **TIRE**
- (71) Applicant: **COOPER TIRE & RUBBER COMPANY**, Findlay, OH (US)
- (72) Inventor: **Kurt A. Thieman**, Fort Wayne, IN (US)
- (73) Assignee: **Cooper Tire & Rubber Company**, Findlay, OH (US)
- (**) Term: **15 Years**
- (21) Appl. No.: **29/732,072**
- (22) Filed: **Apr. 21, 2020**
- (51) **LOC (13) Cl.** **12-15**
- (52) **U.S. Cl.**
USPC **D12/594**
- (58) **Field of Classification Search**
USPC D12/568-604, 900
CPC Y10T 152/10027; B60C 1/0016; B60C 11/0306; B60C 11/0302; B60C 3/06; B60C 9/17
See application file for complete search history.

(56) **References Cited**

U.S. PATENT DOCUMENTS

D497,591 S	10/2004	Miyazaki et al.	
D555,582 S *	11/2007	Lee	D12/585
D669,843 S	10/2012	Grote	
D682,190 S	5/2013	Uphouse et al.	
D700,132 S *	2/2014	Wang	D12/588
D734,710 S	7/2015	Jacobs	
D735,643 S *	8/2015	Fu	D12/584
D736,145 S	8/2015	Jacobs et al.	
D736,694 S	8/2015	Jacobs	
D739,812 S	9/2015	Hutz et al.	
D741,253 S	10/2015	Lundgren	
D745,453 S	12/2015	Chen	

D764,389 S	8/2016	Thieman	
D782,398 S	3/2017	Ding et al.	
D783,517 S	4/2017	Kuwano	
D784,250 S	4/2017	Kuwano	
D784,918 S *	4/2017	Liu	D12/594
D786,186 S	5/2017	Kuwano	
D802,522 S	11/2017	Ding	
D813,148 S *	3/2018	Umstot	D12/588
D818,426 S	5/2018	Kuwano	
D819,555 S	6/2018	Schimmoeller, Jr.	
D904,286 S *	12/2020	Kochanek	D12/594

(Continued)

Primary Examiner — John A Voytek

(74) Attorney, Agent, or Firm — June E. Rickey

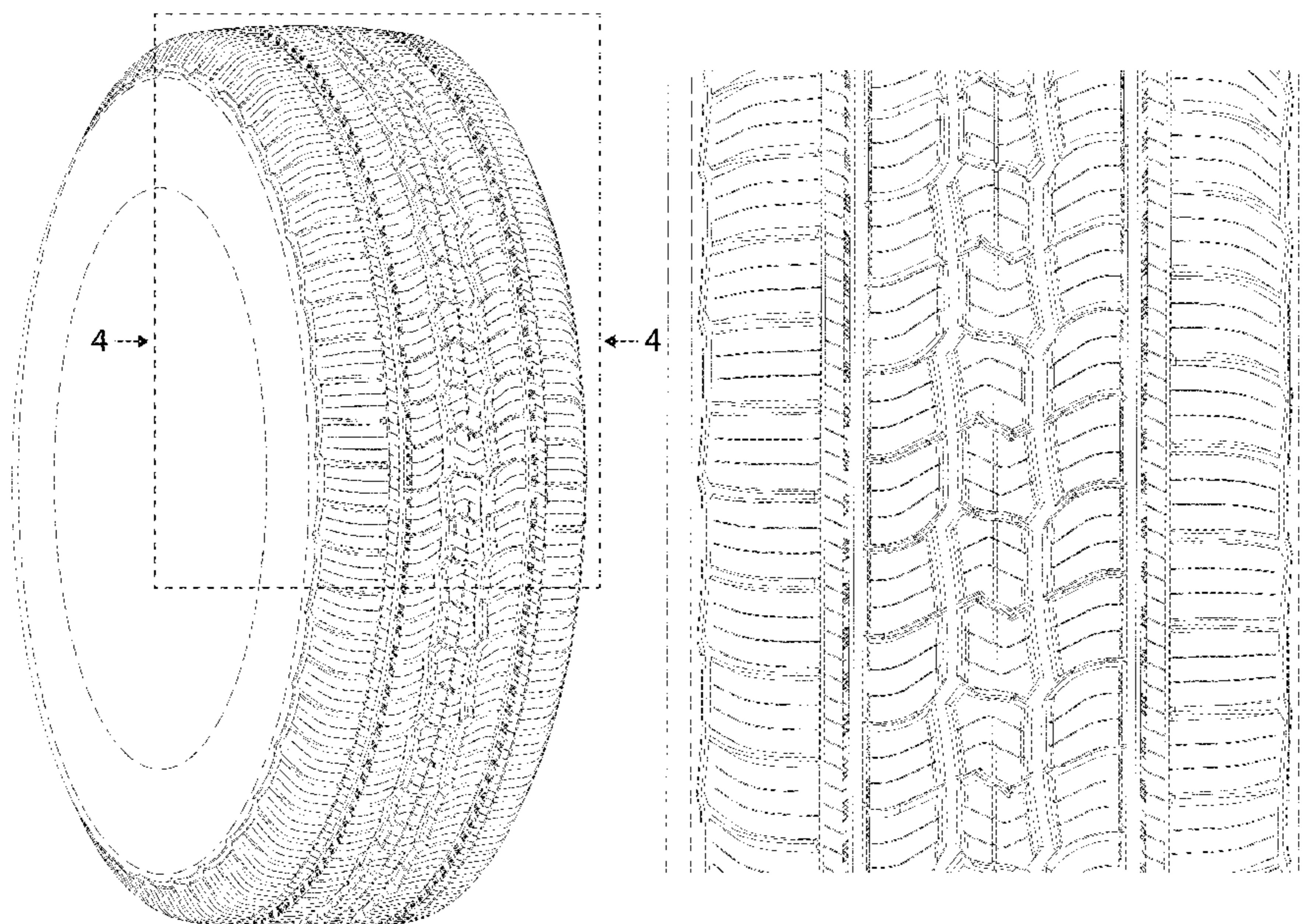
(57) **CLAIM**

The ornamental design for a tire, as shown and described.

DESCRIPTION

FIG. 1 is a perspective view of a tire taken generally from a front and first side of the tire;
 FIG. 2 is a front view thereof;
 FIG. 3 is a first side view thereof, the second side is the same as the first side;
 FIG. 4 is an enlarged, partial perspective view taken generally from the front and the first side thereof;
 FIG. 5 is an enlarged, partial front view thereof; and,
 FIG. 6 is an enlarged, partial view of the first side thereof. The broken lines and the sidewall region between the broken lines that define the inner bead and the sidewall depict subject matter that forms no part of the claimed tire design and are included for the purpose of illustrating the full tire. Likewise, the tire interior forms no part of the claim. The tread pattern is understood to repeat throughout the circumference of the tire, and due to the symmetric nature of the design, the top and bottom views are the same as the front view based on the repeating nature of the tread design pattern throughout the circumference.

1 Claim, 6 Drawing Sheets



(56)

References Cited

U.S. PATENT DOCUMENTS

D904,287 S * 12/2020 Binder D12/594
D907,568 S * 1/2021 Ishigaki D12/579
D926,111 S * 7/2021 Yang D12/600

* cited by examiner

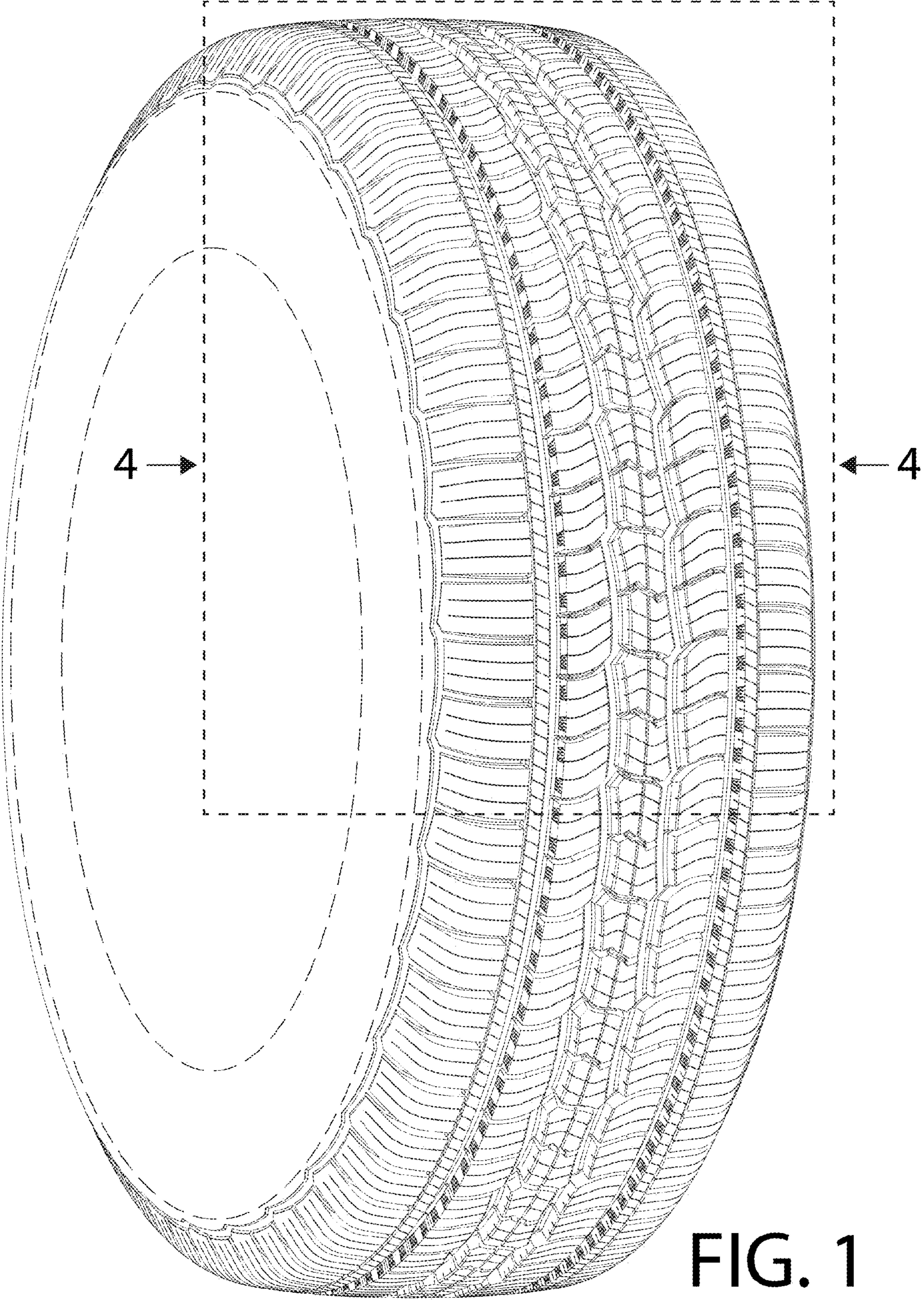


FIG. 1

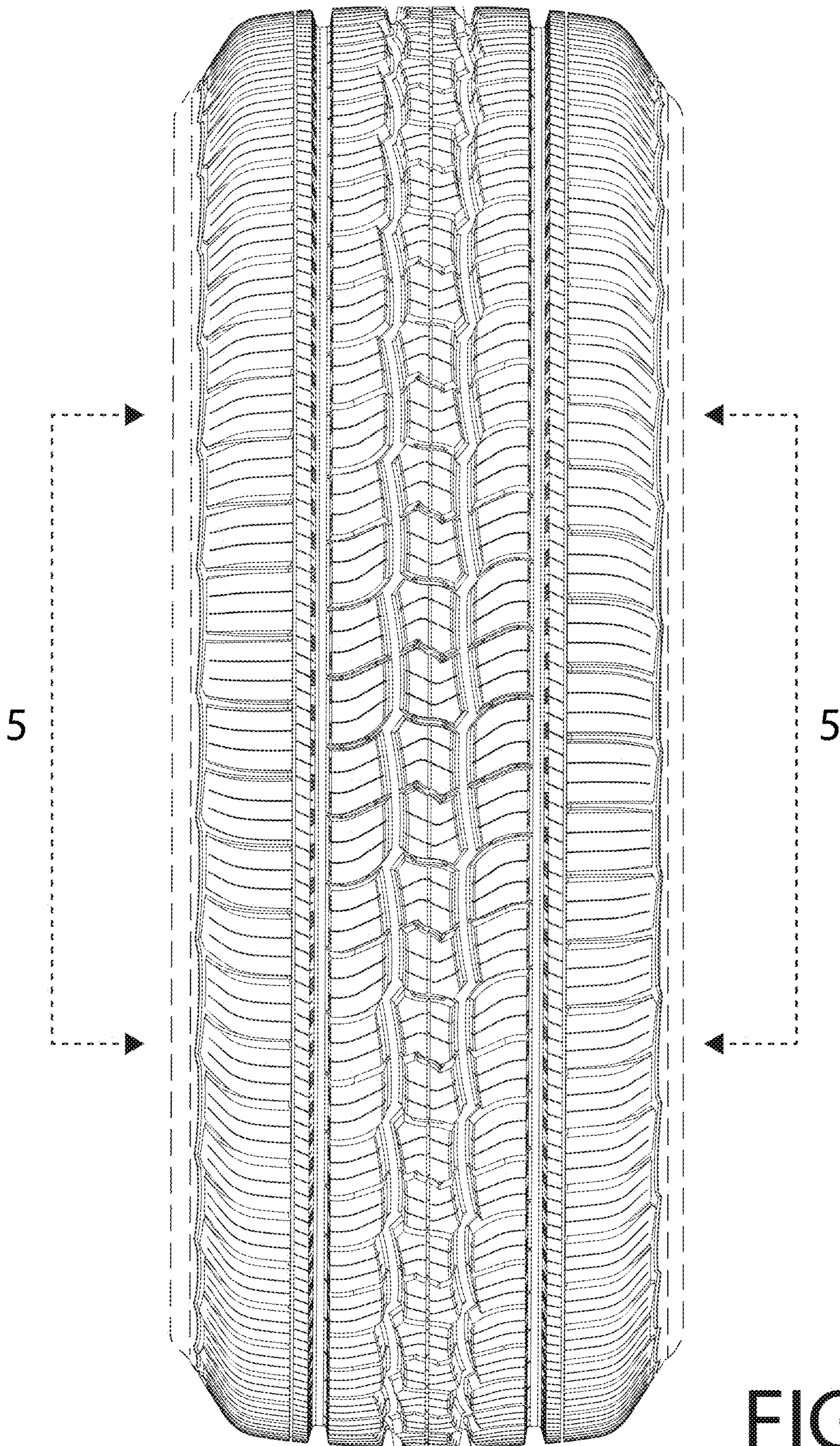


FIG. 2

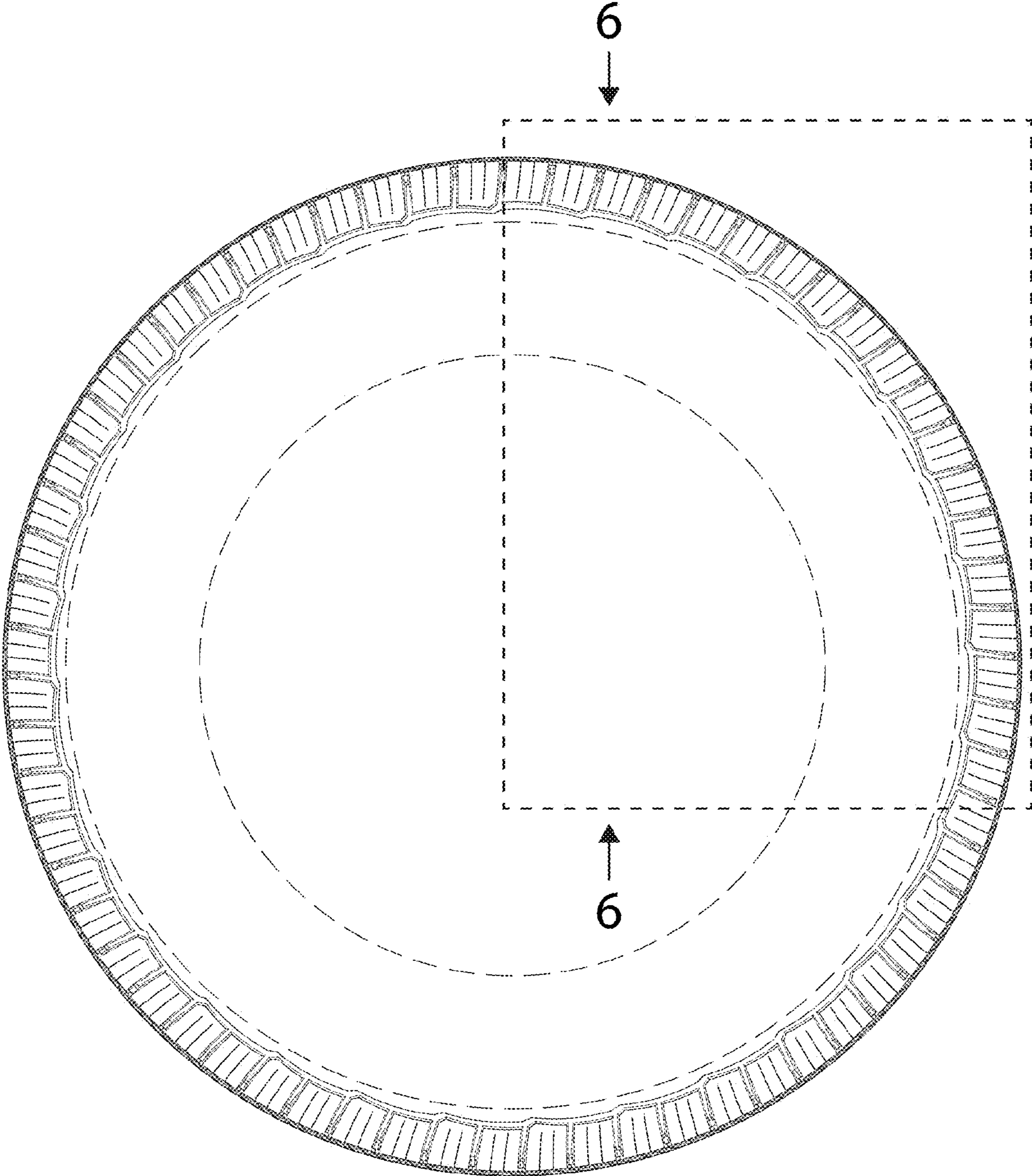


FIG. 3

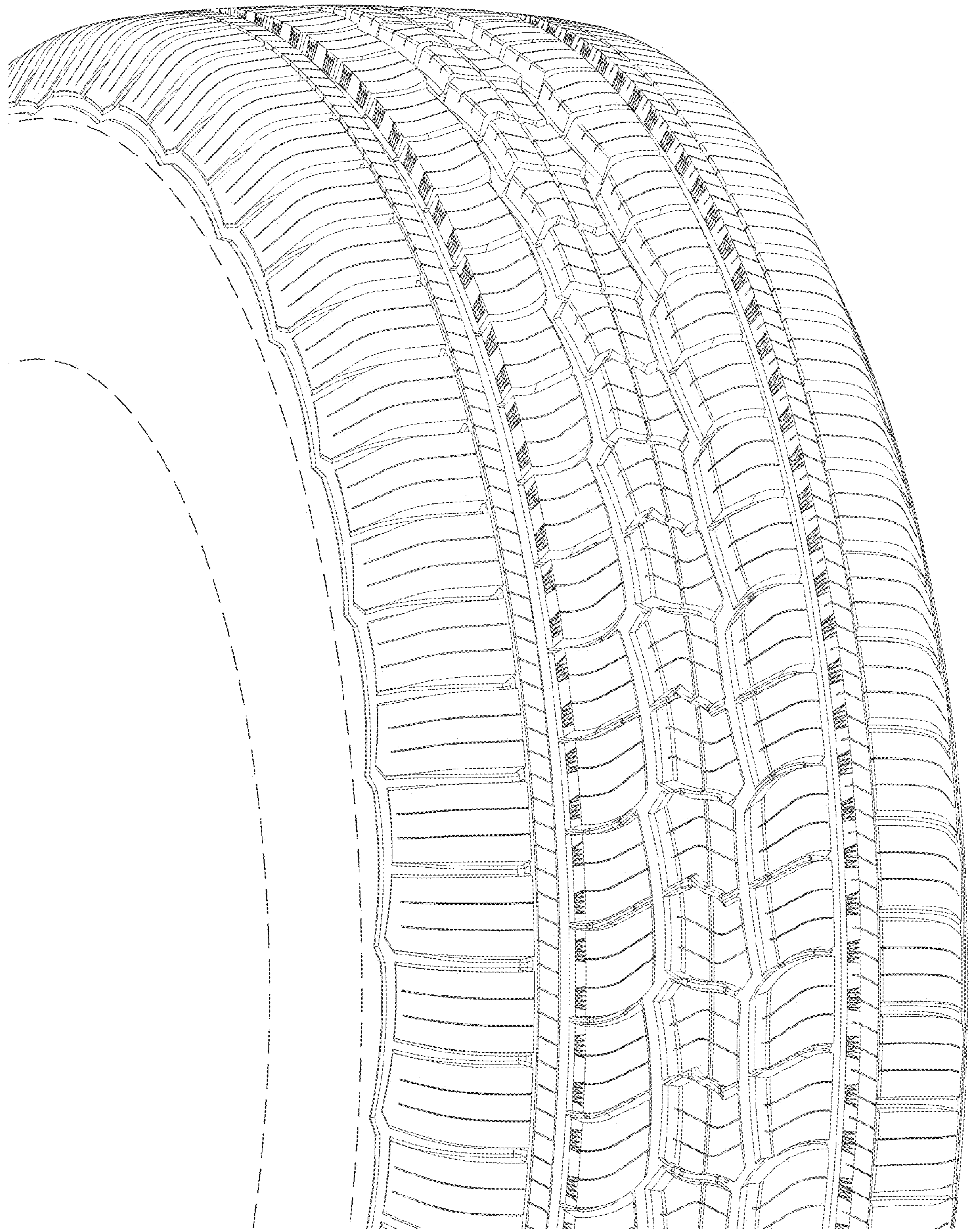


FIG. 4

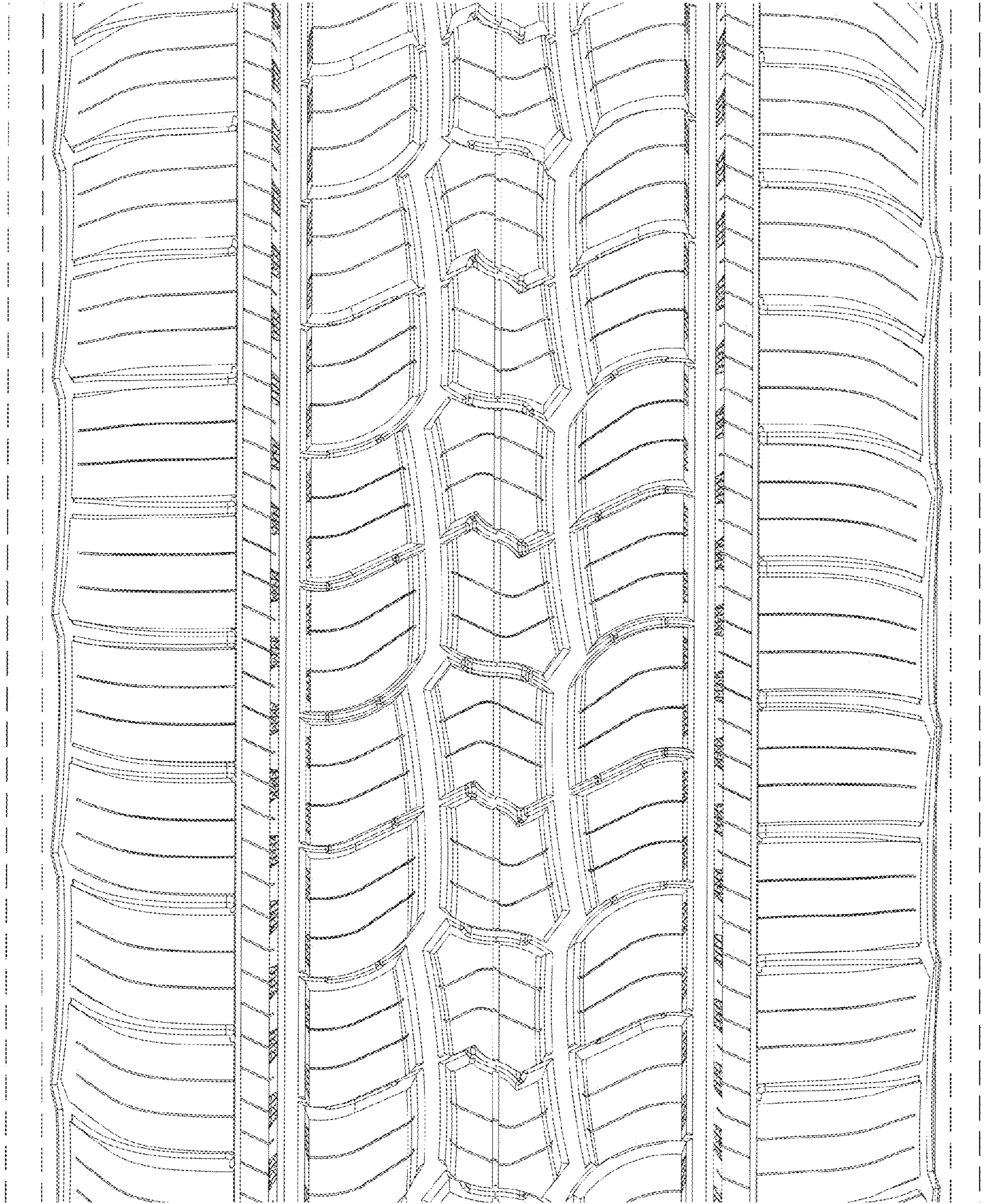


FIG. 5

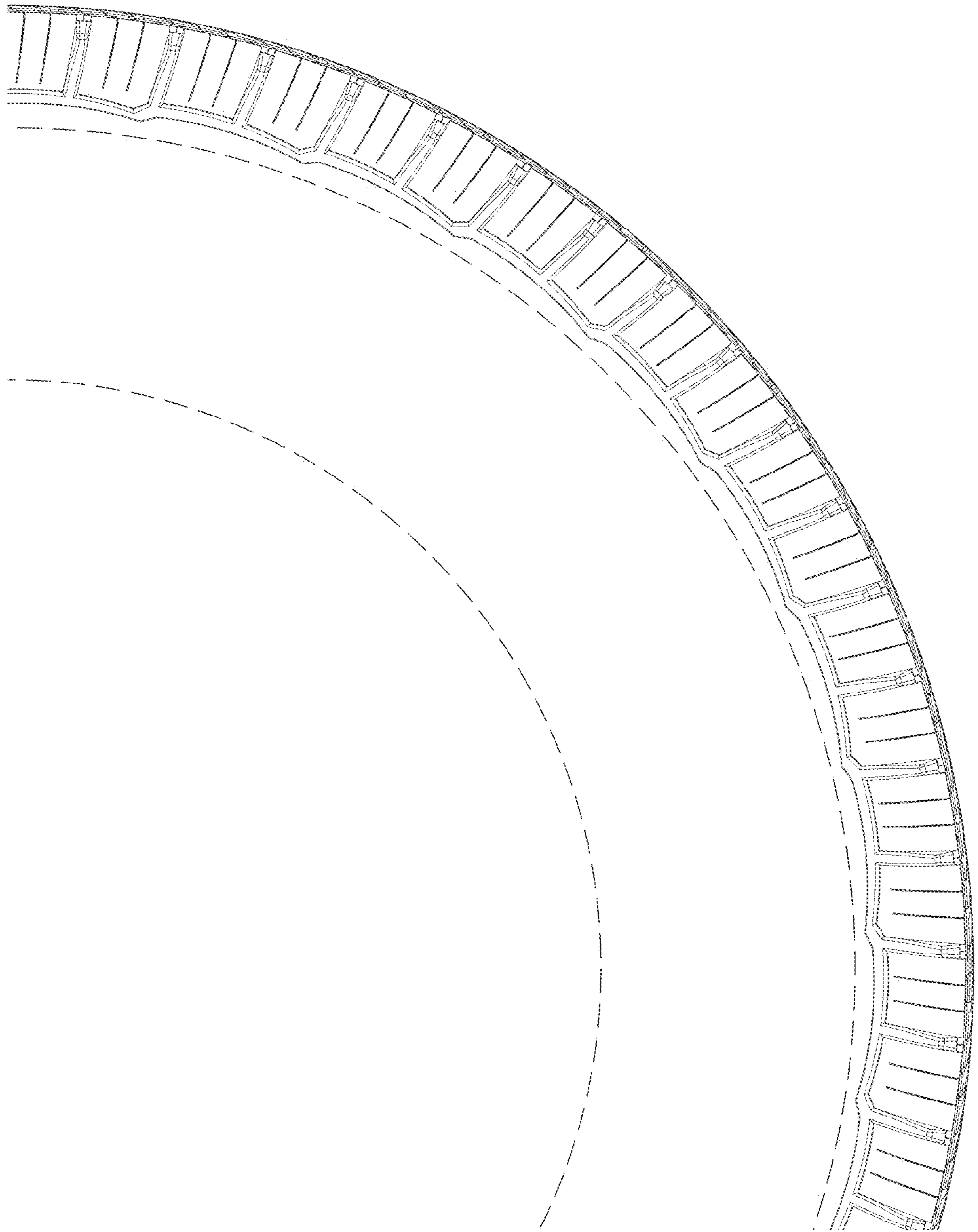


FIG. 6