

US00D960801S

(12) **United States Design Patent**
Losoya

(10) **Patent No.:** **US D960,801 S**

(45) **Date of Patent:** **** Aug. 16, 2022**

(54) **ADJUSTABLE DIVIDER FOR USE IN VEHICLES**

(71) Applicant: **The Rider Divider LLC**, DeSoto, TX (US)

(72) Inventor: **Benjamin Kyle Losoya**, DeSoto, TX (US)

(73) Assignee: **The Rider Divider LLC**, DeSoto, TX (US)

(**) Term: **15 Years**

(21) Appl. No.: **29/766,713**

(22) Filed: **Jan. 18, 2021**

(51) **LOC (13) Cl.** **12-16**

(52) **U.S. Cl.**
USPC **D12/195**

(58) **Field of Classification Search**
USPC D12/192, 181, 415, 195, 317, 196, 400,
D12/404, 221, 98, 426, 193, 190
CPC ... B60R 21/12; B60R 21/026; B60R 13/0823;
G09F 21/04
See application file for complete search history.

(56) **References Cited**

U.S. PATENT DOCUMENTS

D215,051 S * 8/1969 Feth D12/195
4,015,875 A * 4/1977 Setina B60R 21/12
49/379
4,173,369 A * 11/1979 Roggin B60R 21/12
296/24.46

4,621,856 A * 11/1986 McKenzie B60R 21/026
280/749
5,058,941 A * 10/1991 Solomon G09F 21/04
296/24.46
D796,422 S * 9/2017 Hodges D12/426
D821,955 S * 7/2018 Dexter D12/221
10,640,069 B2 * 5/2020 Gardner B60R 21/12
11,027,673 B1 * 6/2021 Abdelrahman B60R 13/0823
2017/0355338 A1 * 12/2017 Paunov B60R 21/026

* cited by examiner

Primary Examiner — Susan E Krakower

Assistant Examiner — Jerry Shiuan-Hua Hsu

(74) *Attorney, Agent, or Firm* — David W. Carstens;
Carstens & Cahoon, LLP

(57) **CLAIM**

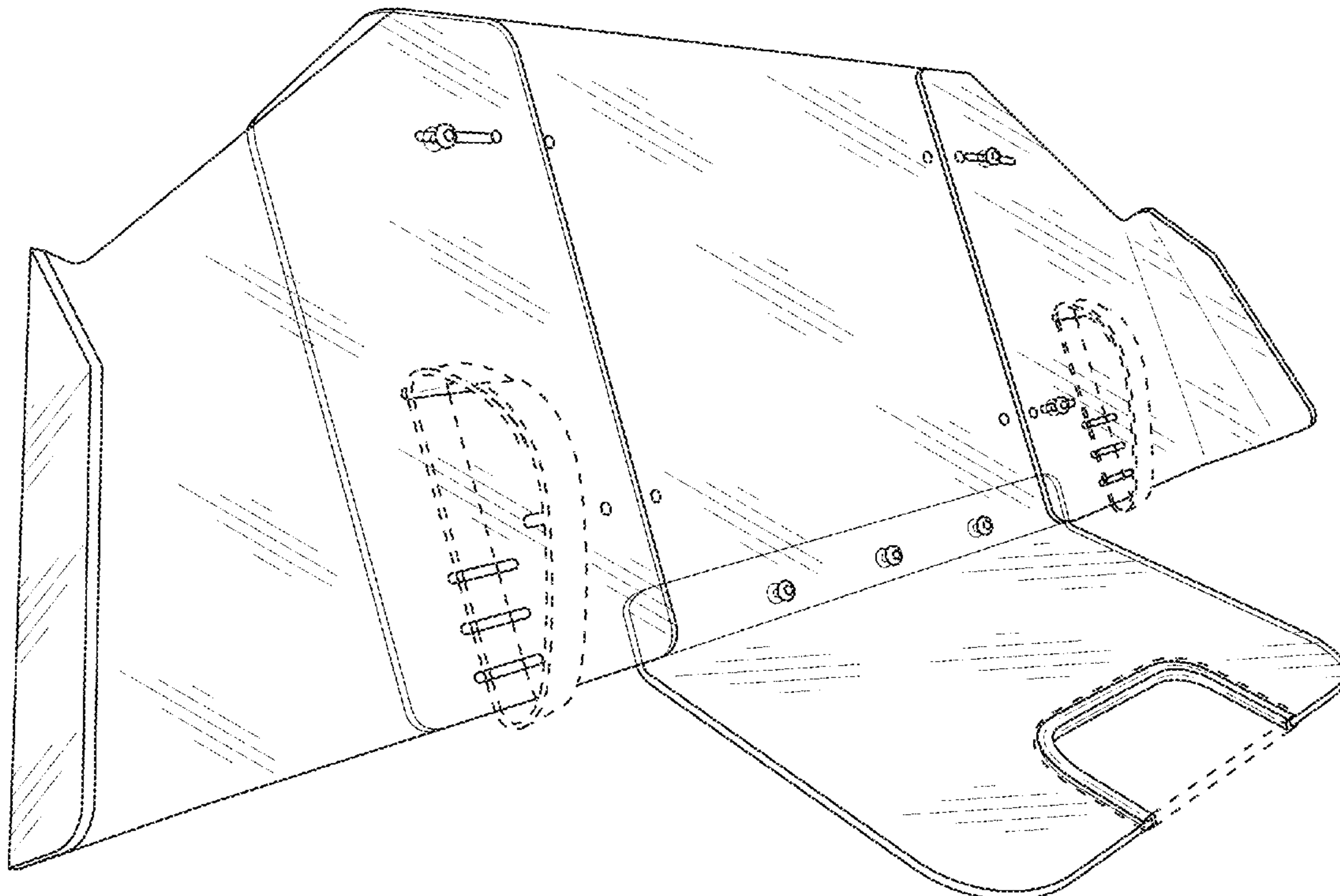
The ornamental design for an adjustable divider for use in vehicles, as shown and described.

DESCRIPTION

FIG. 1 is a front perspective view of an adjustable divider for use in vehicles, showing my new design;
FIG. 2 is a front view thereof;
FIG. 3 is a back view thereof;
FIG. 4 is a right side elevation view thereof;
FIG. 5 is a left side elevation view thereof;
FIG. 6 is a top view thereof; and,
FIG. 7 is a bottom view thereof.

The broken lines illustrate portions of the adjustable divider for use in vehicles which form no part of the claimed design.

1 Claim, 6 Drawing Sheets



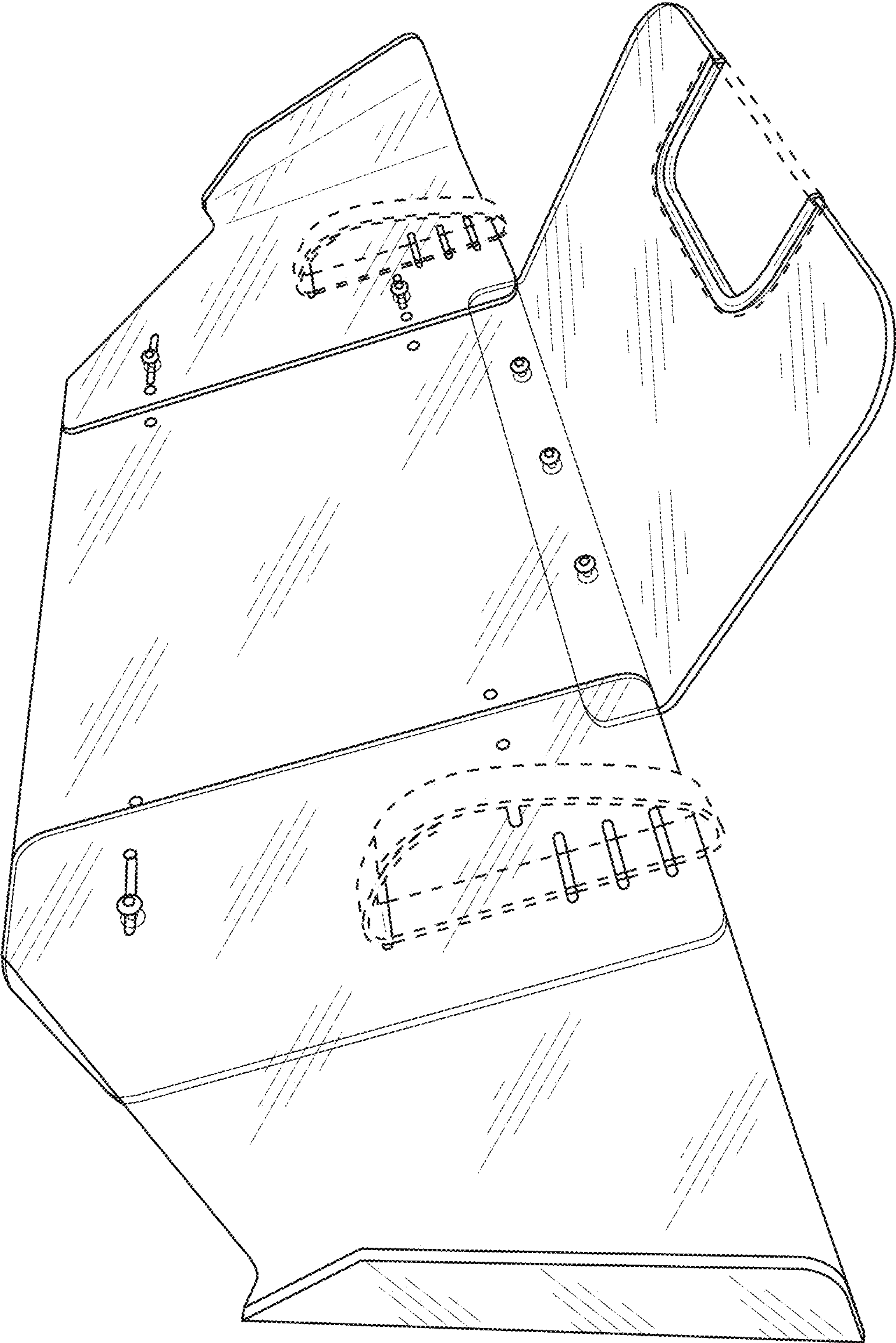


FIG. 1

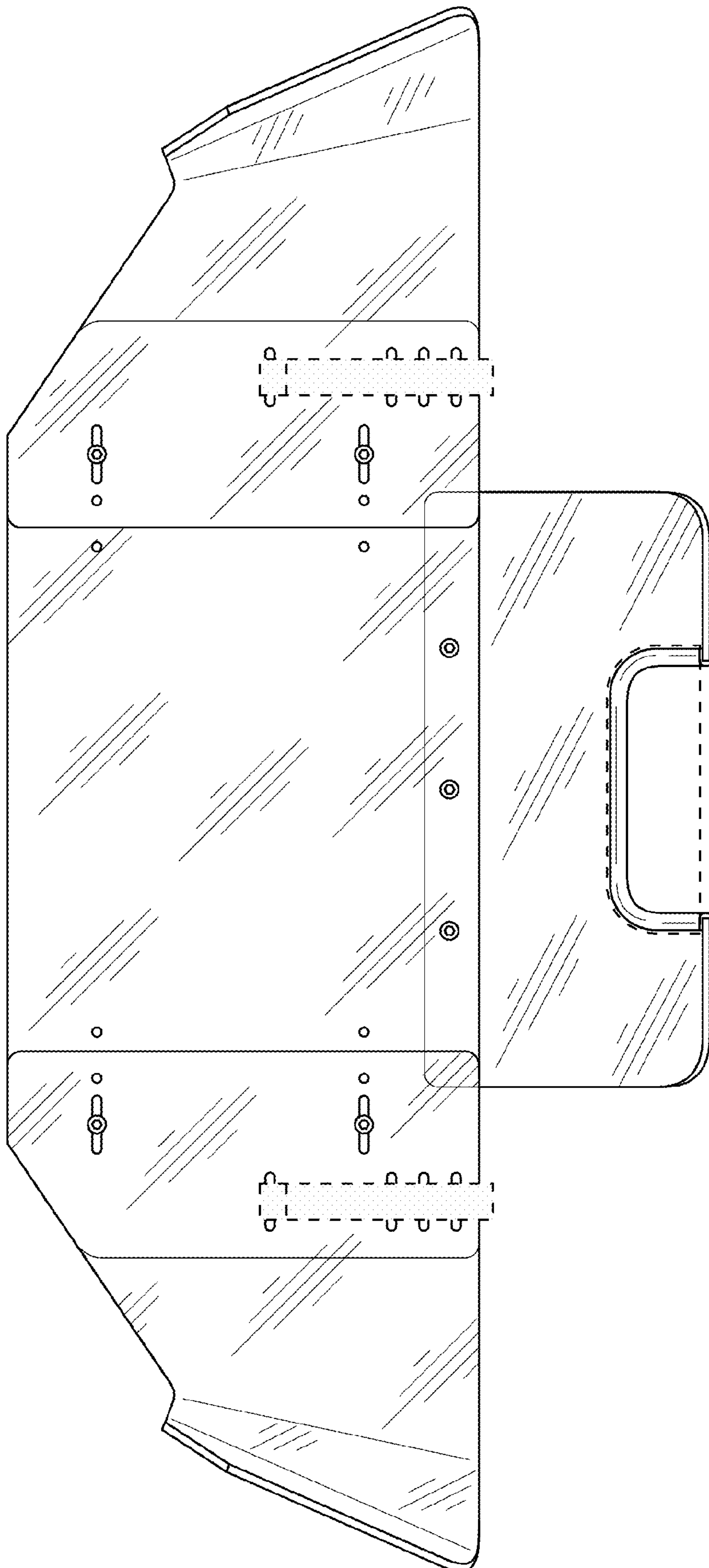


FIG. 2

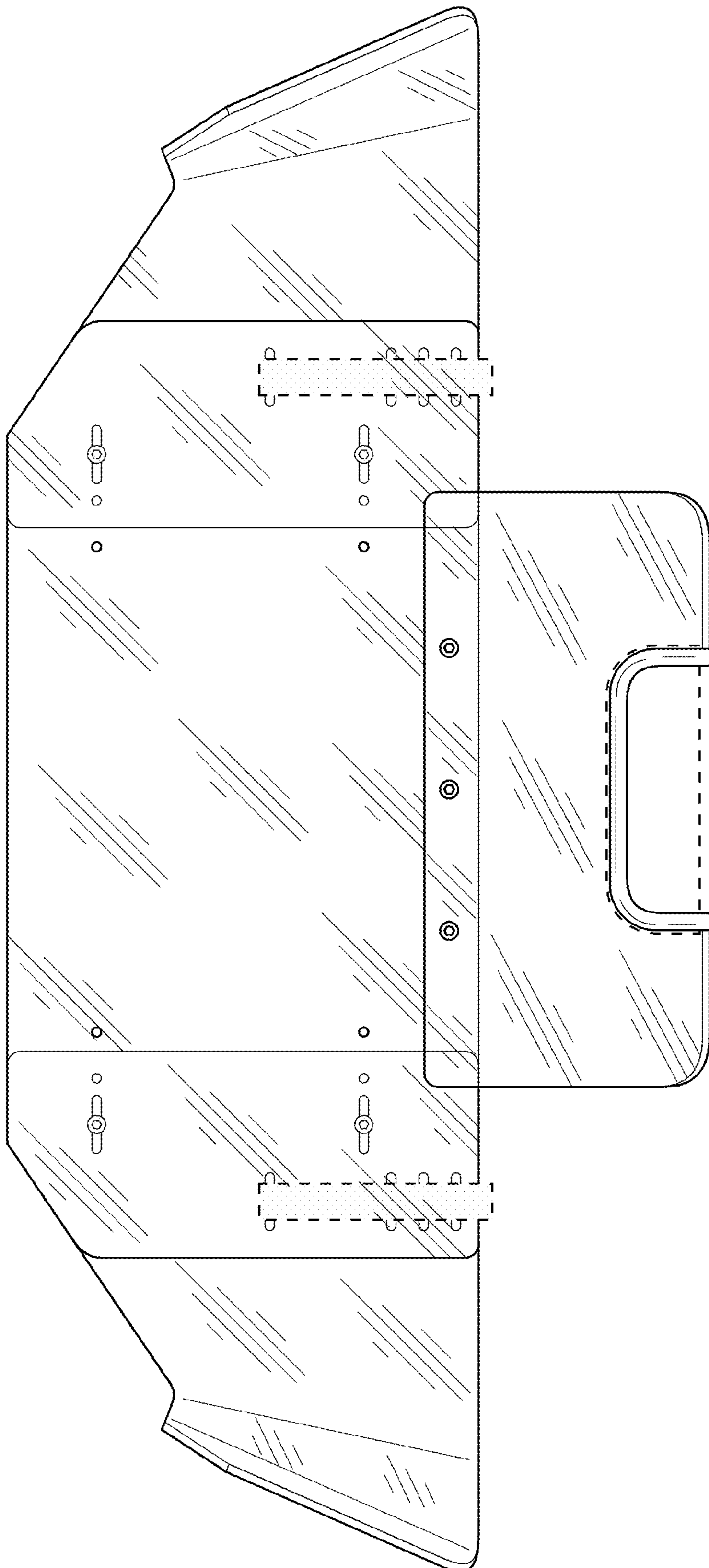


FIG. 3

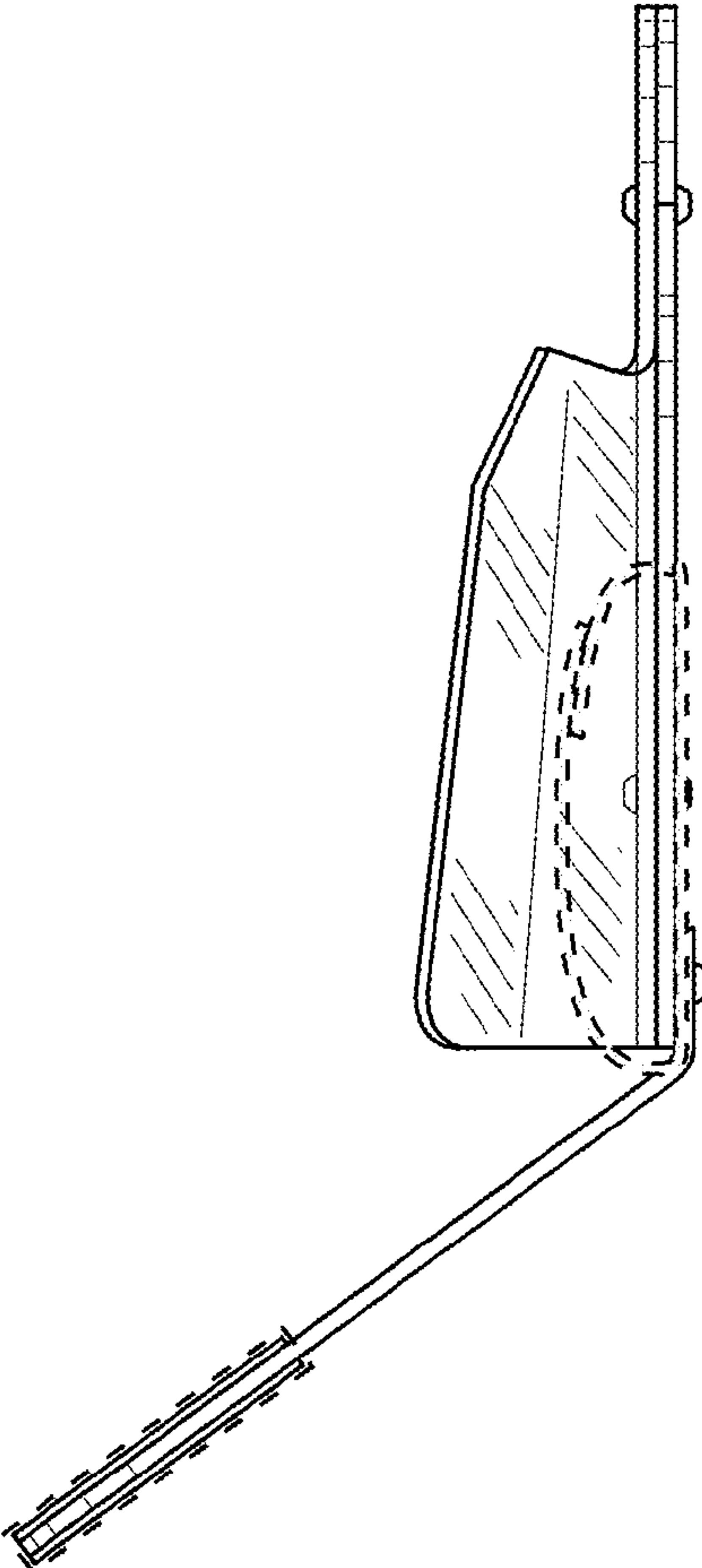


FIG. 4

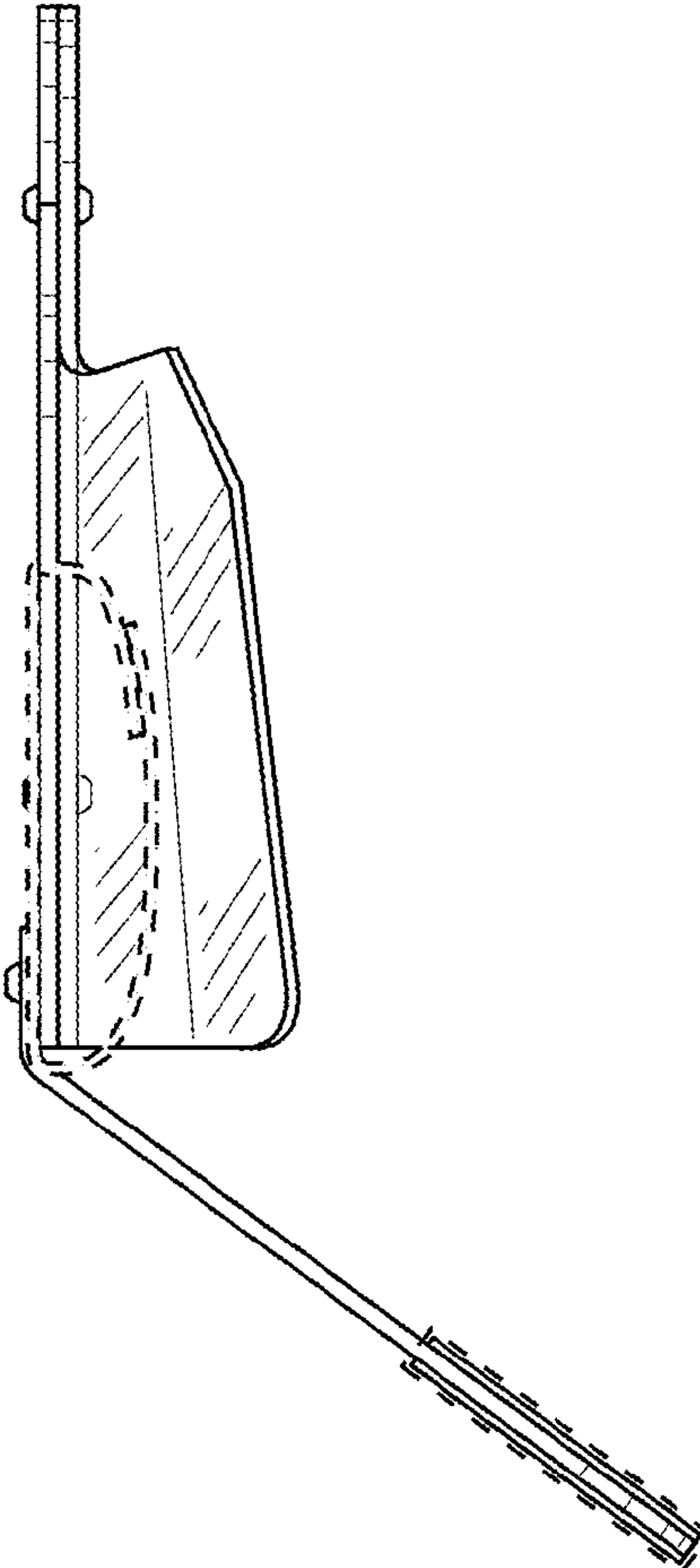


FIG. 5

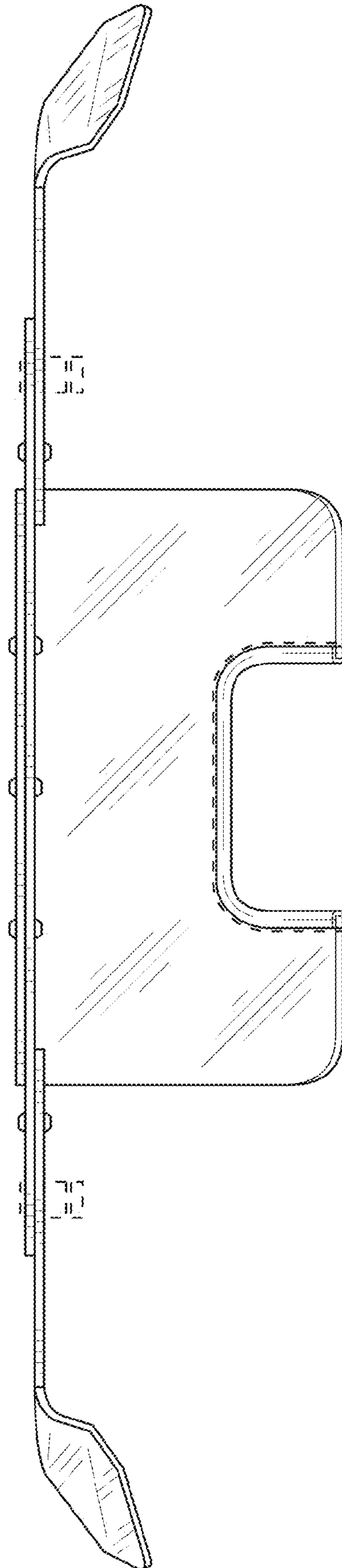


FIG. 6

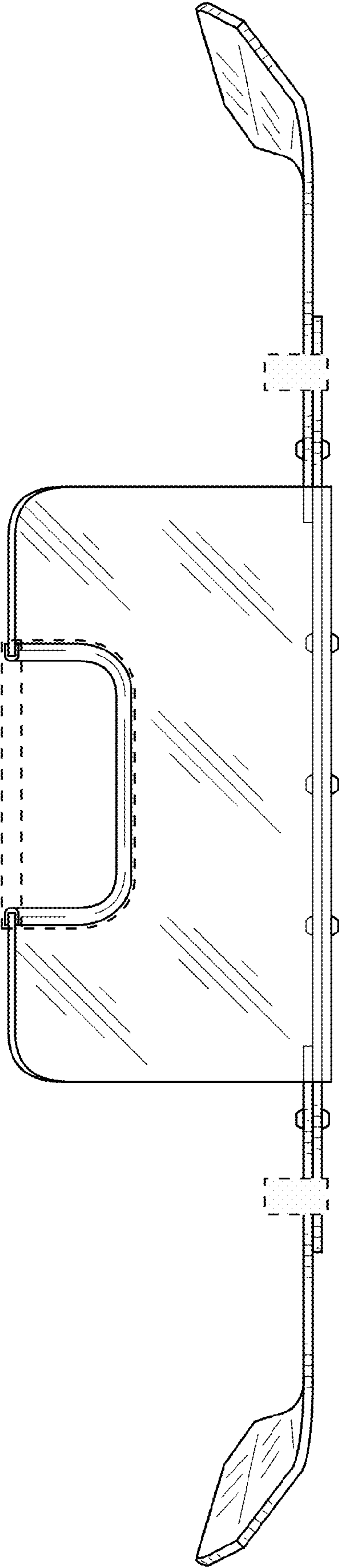


FIG. 7