



US00D960800S

(12) **United States Design Patent** (10) **Patent No.:** **US D960,800 S**
Blommé (45) **Date of Patent:** **** Aug. 16, 2022**

(54) **VEHICLE DOOR**

(71) Applicant: **Polestar Performance AB**, Gothenburg (SE)

(72) Inventor: **Conny Ewe Blommé**, Ljungskile (SE)

(73) Assignee: **Polestar Performance AB**, Gothenburg (SE)

(**) Term: **15 Years**

(21) Appl. No.: **29/746,631**

(22) Filed: **Aug. 14, 2020**

(30) **Foreign Application Priority Data**

Feb. 14, 2020 (EM) 007694435-0009

(51) **LOC (13) Cl.** **12-16**

(52) **U.S. Cl.**
USPC **D12/195**

(58) **Field of Classification Search**
USPC D8/302, 303; D10/46, 98, 102, 103;
D12/195, 196, 193, 190, 414; D15/17,
D15/28

CPC B60R 7/04; B60R 7/08; B60J 5/04
See application file for complete search history.

(56) **References Cited**

U.S. PATENT DOCUMENTS

D351,820 S	10/1994	Knapp, Jr.	
D386,458 S	11/1997	Smith	
D547,248 S	7/2007	Schowalter	
D577,645 S	9/2008	Wyszogrod et al.	
D595,200 S	6/2009	Rosenbohm	
D607,802 S	1/2010	Collins et al.	
D633,023 S	2/2011	Hwang et al.	
D672,299 S	12/2012	Matsuda et al.	
D714,700 S *	10/2014	Yamamoto	D12/195
D758,269 S	6/2016	Ahn et al.	
D768,042 S *	10/2016	Lee	D12/195

D801,899 S *	11/2017	Watkin	D12/195
D807,267 S *	1/2018	Higashimori	D12/195
D816,571 S *	5/2018	Wiedeman	D12/195
D817,834 S	5/2018	Ahn et al.	
D823,208 S *	7/2018	Boyes	D12/195
D829,142 S	9/2018	Sheffield et al.	
D831,552 S *	10/2018	Watkin	D12/195
D835,554 S *	12/2018	Yamamoto	D12/195
D840,888 S *	2/2019	Takagi	D12/195
D853,922 S	7/2019	Sandys et al.	

(Continued)

OTHER PUBLICATIONS

Application and File history for U.S. Appl. No. 29/745,378, filed Aug. 5, 2020, Inventors: Levy.

(Continued)

Primary Examiner — Susan E Krakower

Assistant Examiner — Jerry Shiuan-Hua Hsu

(74) *Attorney, Agent, or Firm* — Patterson Thuent Pedersen, P.A.

(57) **CLAIM**

I claim the ornamental design for a vehicle door, as shown and described.

DESCRIPTION

FIG. 1 is a front left perspective view of a vehicle door, showing my new design.

FIG. 2 is a front right perspective view thereof.

FIG. 3 is a front view thereof.

FIG. 4 is a left side view thereof.

FIG. 5 is a top view thereof.

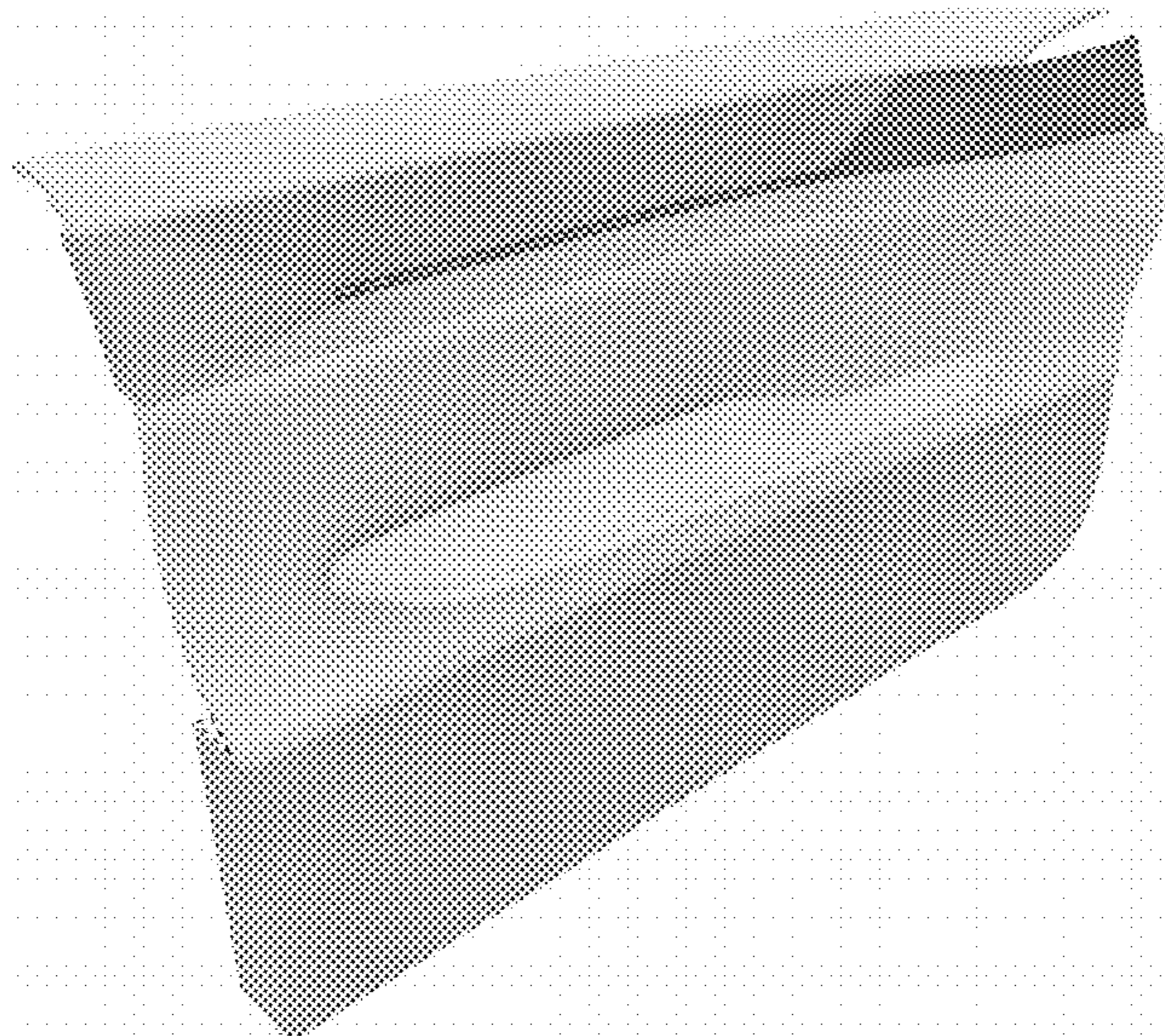
FIG. 6 is a right side view thereof.

FIG. 7 is a rear view thereof; and,

FIG. 8 is a bottom view thereof.

The broken lines and lightened elements within, illustrate portions of the vehicle door which form no part of the claimed design.

1 Claim, 8 Drawing Sheets



(56)

References Cited

U.S. PATENT DOCUMENTS

D853,923 S * 7/2019 Peat D12/195
D874,372 S 2/2020 Donfrancesco et al.
D880,386 S * 4/2020 Nakao D12/195
D881,773 S 4/2020 Tomasson et al.
D882,477 S 4/2020 Roo-Clefas et al.
D887,931 S 6/2020 Tomasson et al.
D892,693 S * 8/2020 Jacob D12/195
D919,530 S * 5/2021 Mistiuk D12/196

OTHER PUBLICATIONS

Application and File history for U.S. Appl. No. 29/745,379, filed Aug. 5, 2020, Inventors: Levy.
Application and File history for U.S. Appl. No. 29/745,380, filed Aug. 5, 2020, Inventors: Levy.
Application and File history for U.S. Appl. No. 29/746,632, filed Aug. 14, 2020, Inventors: Blommé.

* cited by examiner

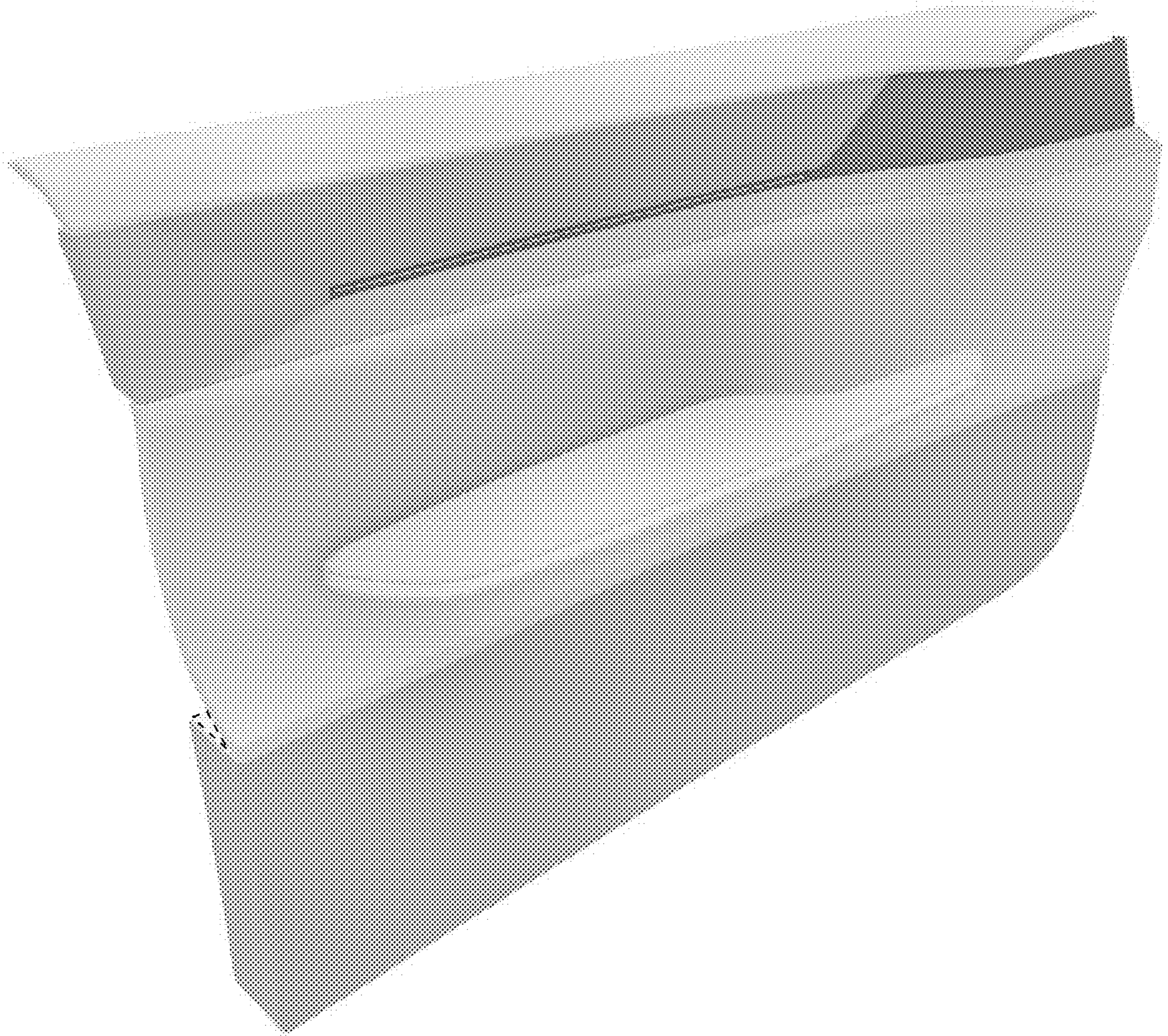


FIG. 1

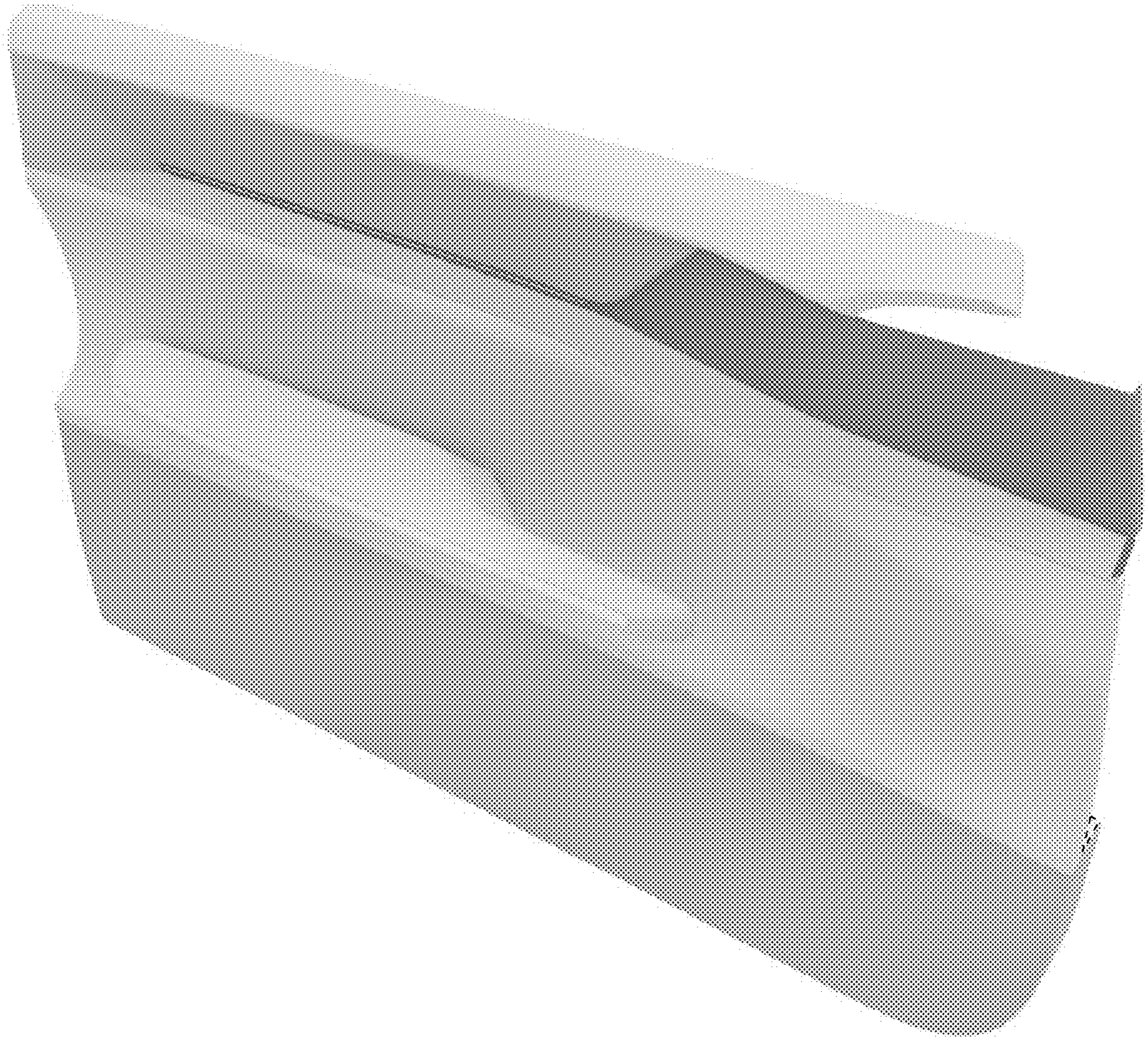


FIG. 2

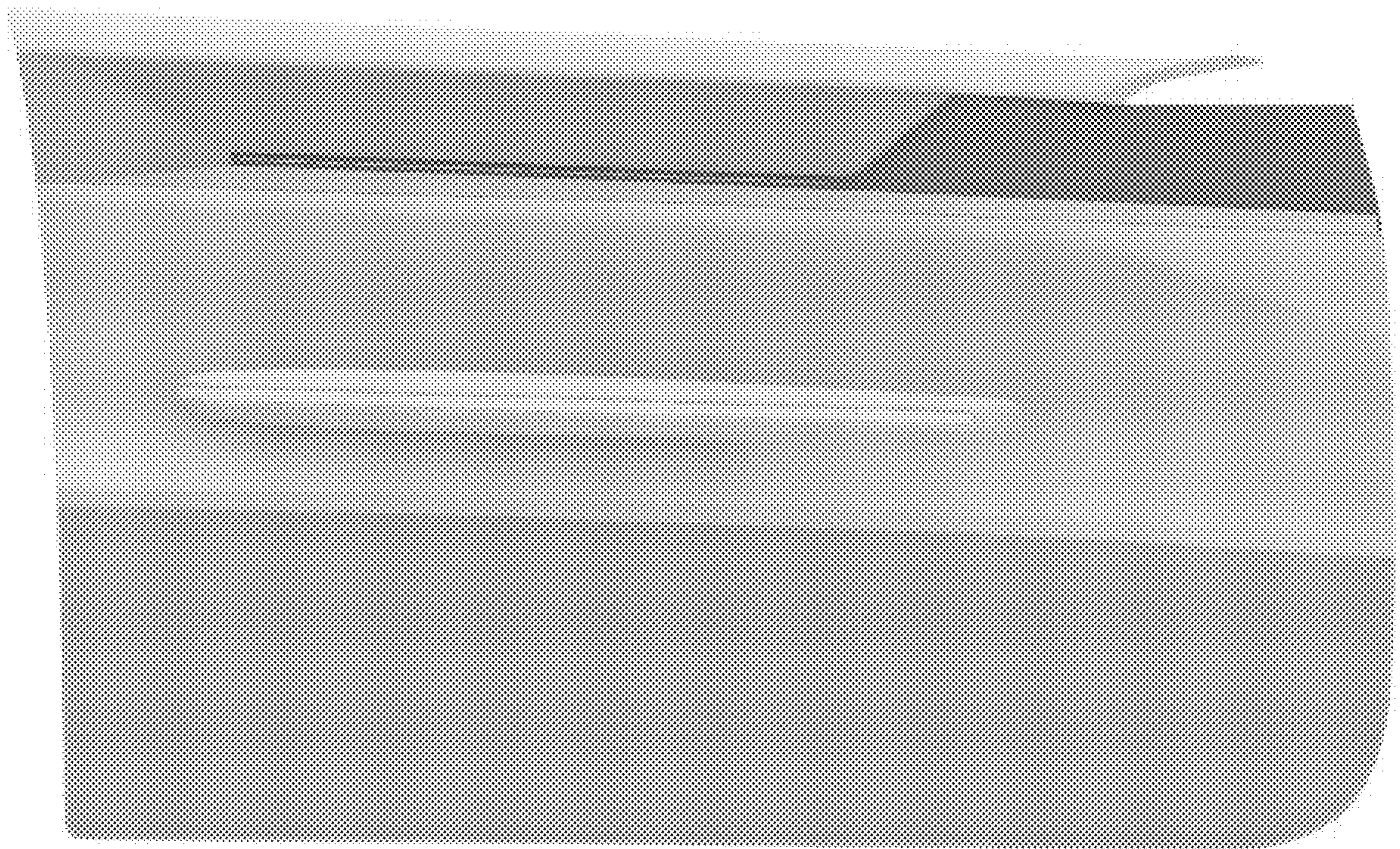


FIG. 3

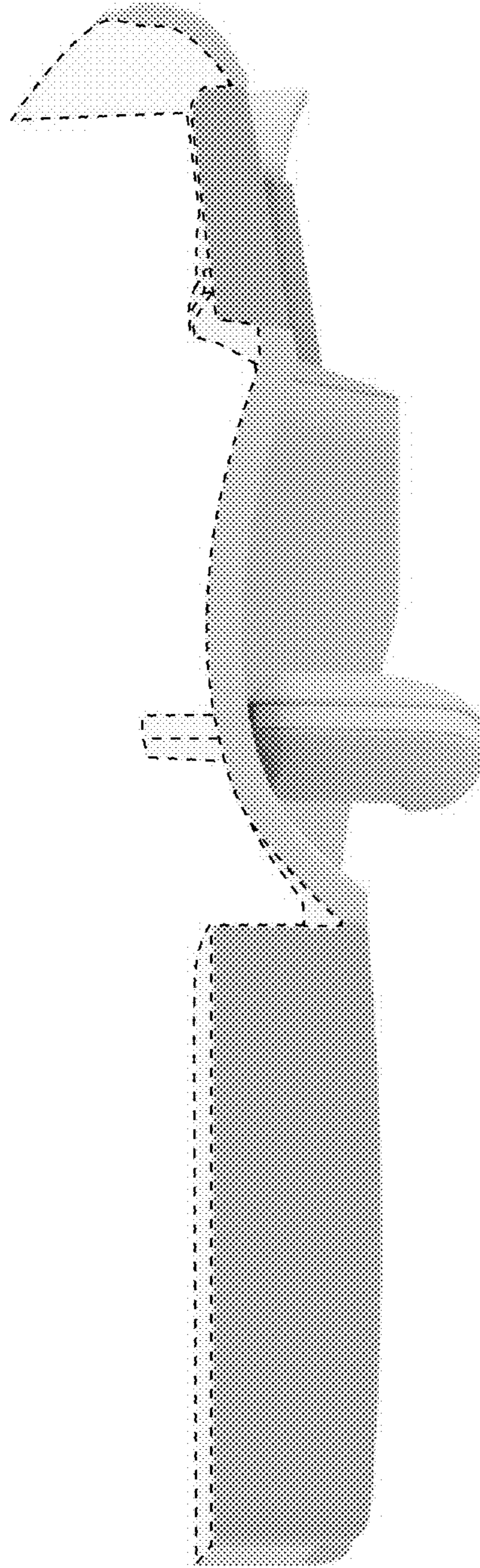


FIG. 4

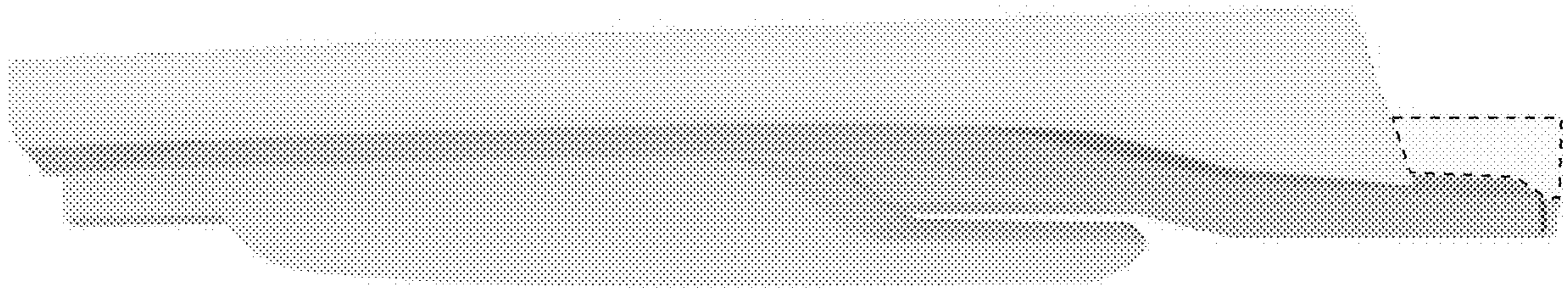


FIG. 5

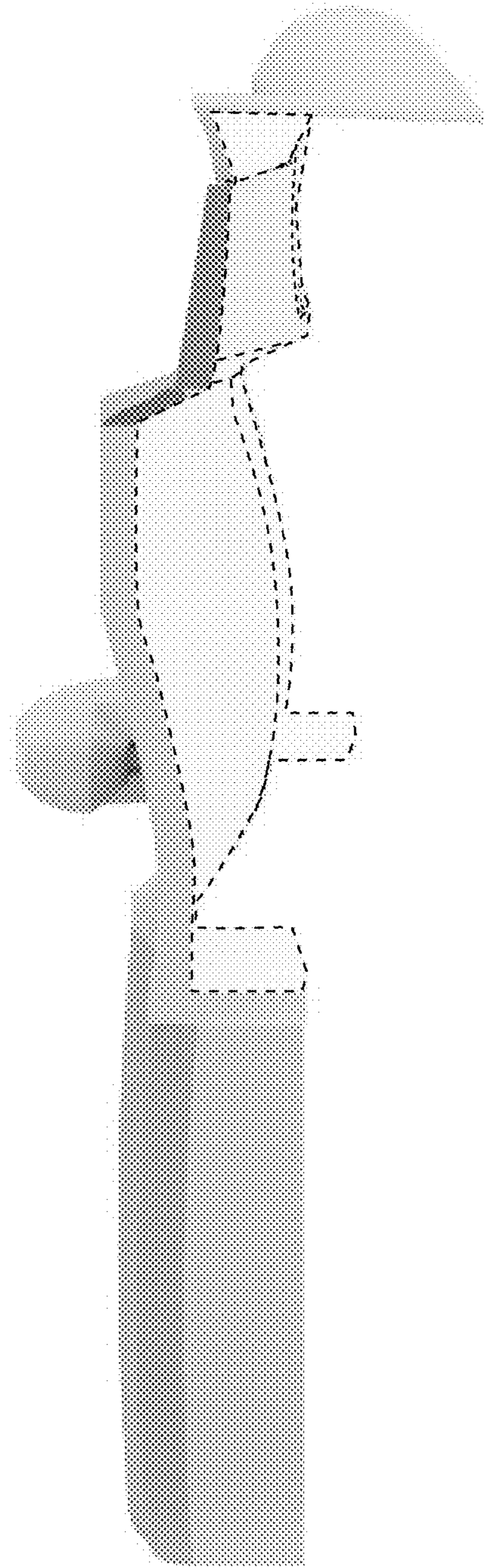


FIG. 6

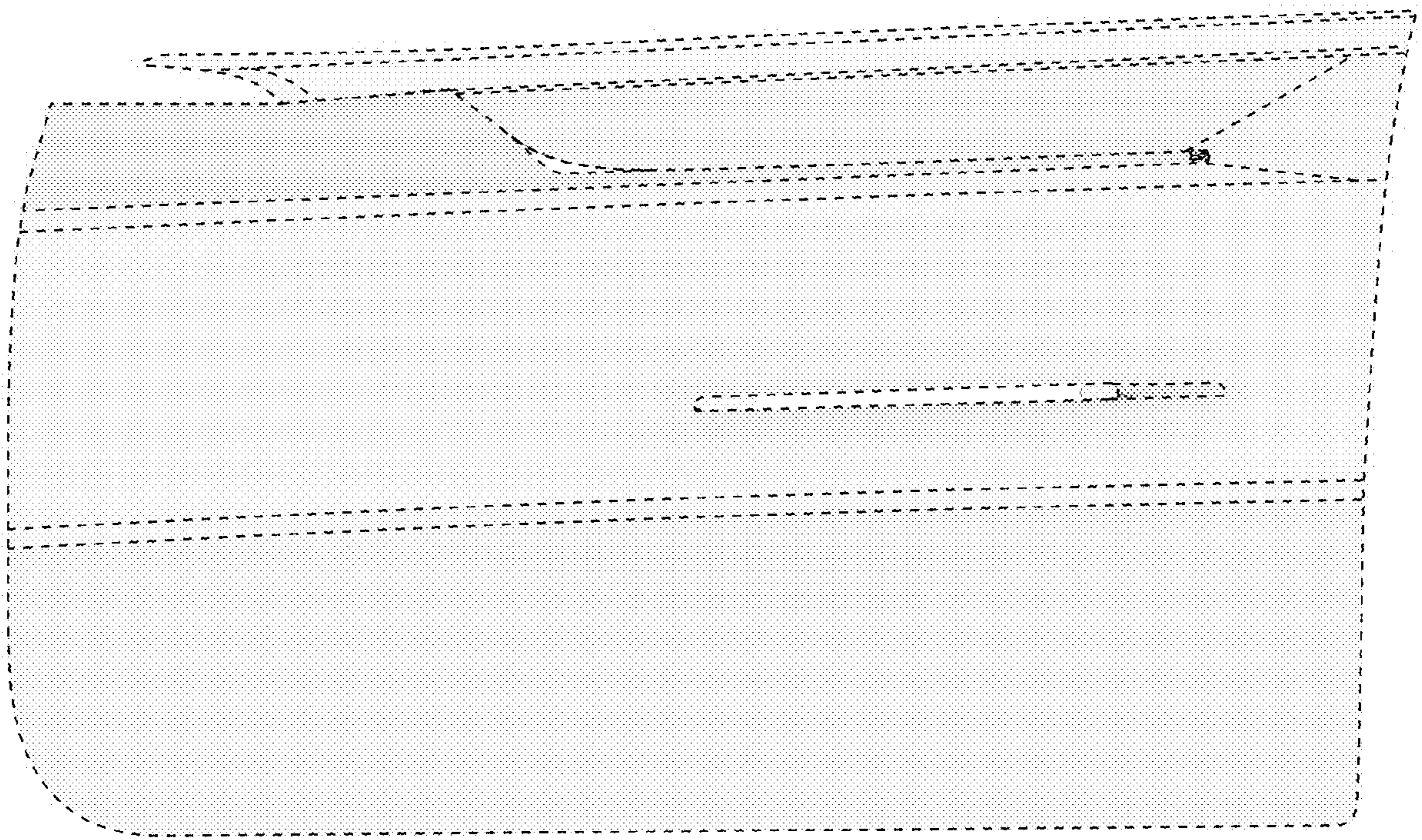


FIG. 7

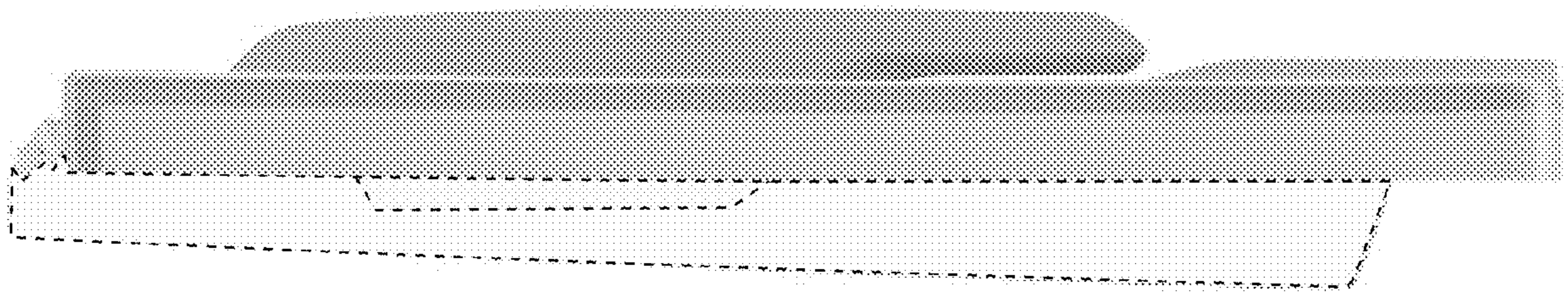


FIG. 8