



US00D960797S

(12) **United States Design Patent** (10) **Patent No.:** **US D960,797 S**  
**Finney et al.** (45) **Date of Patent:** **\*\* Aug. 16, 2022**

- (54) **VEHICLE INSTRUMENT PANEL**
- (71) Applicant: **Jaguar Land Rover Limited**, Whitley Coventry (GB)
- (72) Inventors: **Nicolas Finney**, Whitley Coventry (GB); **Lee Perry**, Whitley Coventry (GB)
- (73) Assignee: **Jaguar Land Rover Limited**, Whitley Coventry (GB)
- (\*\*) Term: **15 Years**
- (21) Appl. No.: **29/728,256**
- (22) Filed: **Mar. 17, 2020**

**Related U.S. Application Data**

- (62) Division of application No. 29/656,246, filed on Jul. 11, 2018, now Pat. No. Des. 881,095.

**Foreign Application Priority Data**

- Apr. 25, 2018 (EM) ..... 005248622
- Jul. 5, 2018 (EM) ..... 005438009
- (51) **LOC (13) Cl.** ..... **12-16**
- (52) **U.S. Cl.**  
USPC ..... **D12/192**
- (58) **Field of Classification Search**  
USPC ..... D12/192, 415, 114, 345; D15/17, 28;  
D10/46, 98, 102-103, 122-127; D23/324  
CPC ..... B60H 1/34; B60H 1/3407; B60H 1/3414;  
B60H 1/3421; B60H 1/3428; B60H  
1/3435; B60H 1/3442; B60H 1/345;  
B60H 1/3457; B60H 2001/3464; B60H  
2001/3471; B60H 2001/3478; B60H  
2001/3485

See application file for complete search history.

(56) **References Cited**

U.S. PATENT DOCUMENTS

D915,964 S *	4/2021	Yu .....	D12/192
D916,421 S *	4/2021	Niebuhr .....	B60K 37/00 D34/35
D917,358 S *	4/2021	Matsuda .....	D12/192
D929,283 S *	8/2021	Komatsu .....	D12/192
D932,404 S *	10/2021	Owaku .....	D12/192
D932,419 S *	10/2021	Manzoni .....	D12/415
D936,547 S *	11/2021	Schlapp .....	D12/192
D936,548 S *	11/2021	Li .....	D12/192
D937,164 S *	11/2021	Manzoni .....	D12/192
D939,414 S *	12/2021	Aizawa .....	D12/192
D940,048 S *	1/2022	Kang .....	B60N 3/10 D12/415
D940,619 S *	1/2022	Jimenez .....	D12/192

\* cited by examiner

*Primary Examiner* — Katrina A Betton

(74) *Attorney, Agent, or Firm* — Wood Herron & Evans LLP

**CLAIM**

The ornamental design for a vehicle instrument panel, as shown and described.

**DESCRIPTION**

FIG. 1 is a front left elevated perspective view of a cross beam of a vehicle instrument panel according to the present invention.

FIG. 2 is a front left perspective view of the cross beam shown in FIG. 1.

FIG. 3 is a rear right elevated perspective view thereof.

FIG. 4 is a rear right perspective view thereof.

FIG. 5 is a front view thereof.

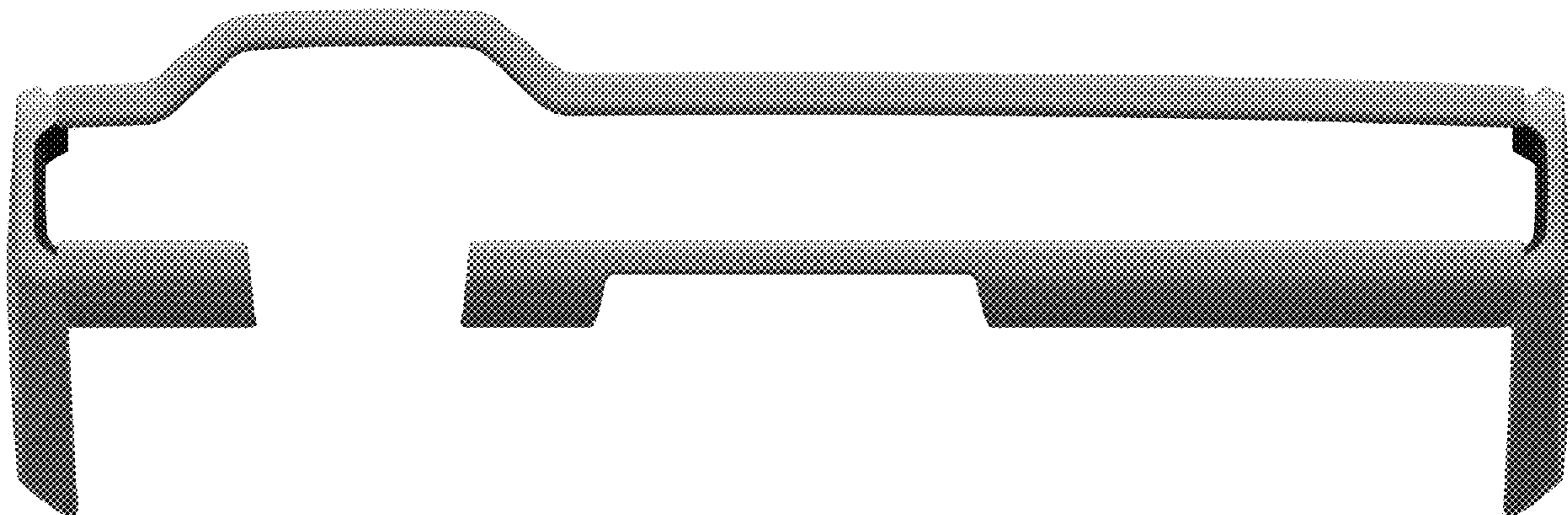
FIG. 6 is a rear view thereof.

FIG. 7 is a left side view thereof.

FIG. 8 is a right side view thereof; and,

FIG. 9 is a top view thereof.

**1 Claim, 9 Drawing Sheets**



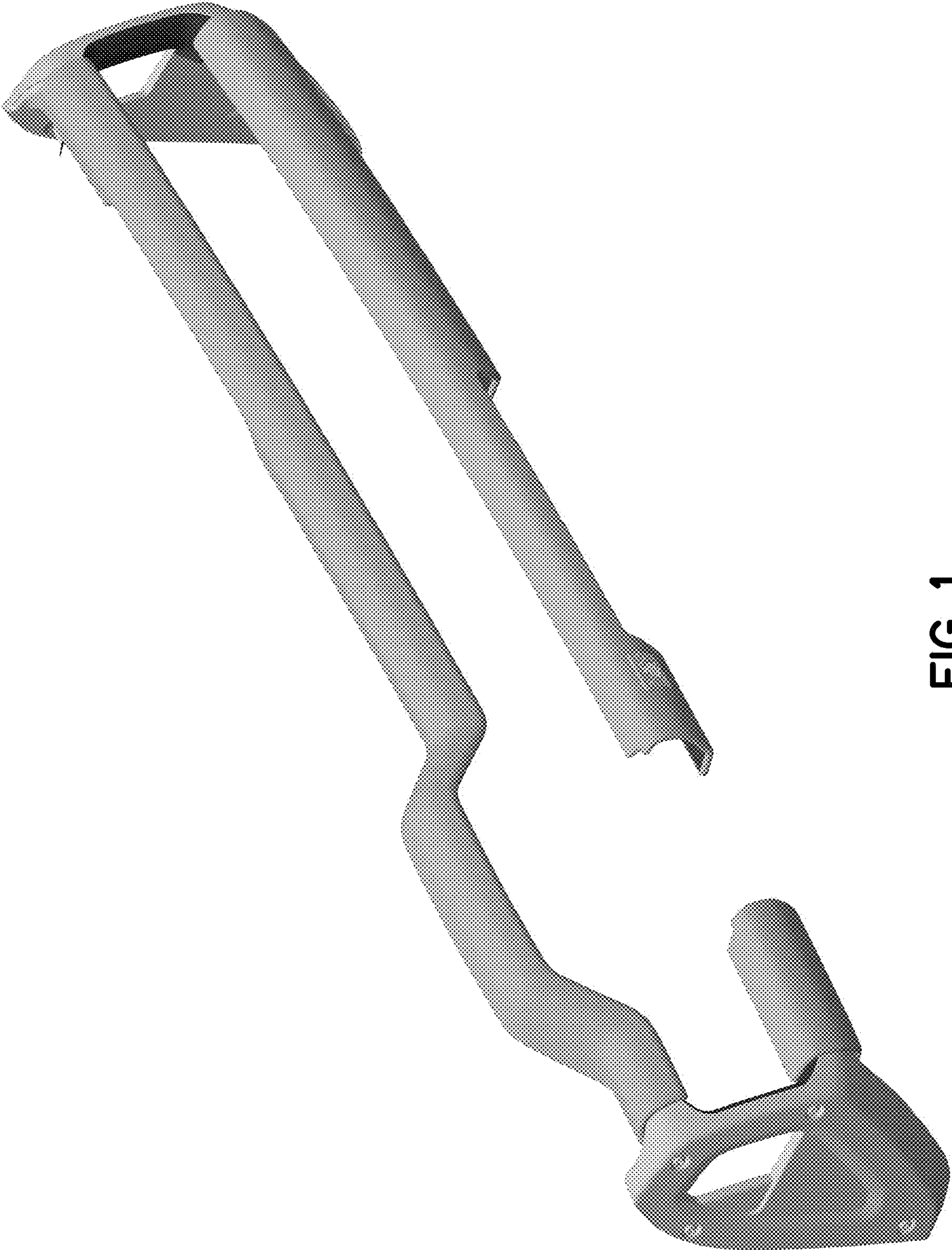


FIG. 1



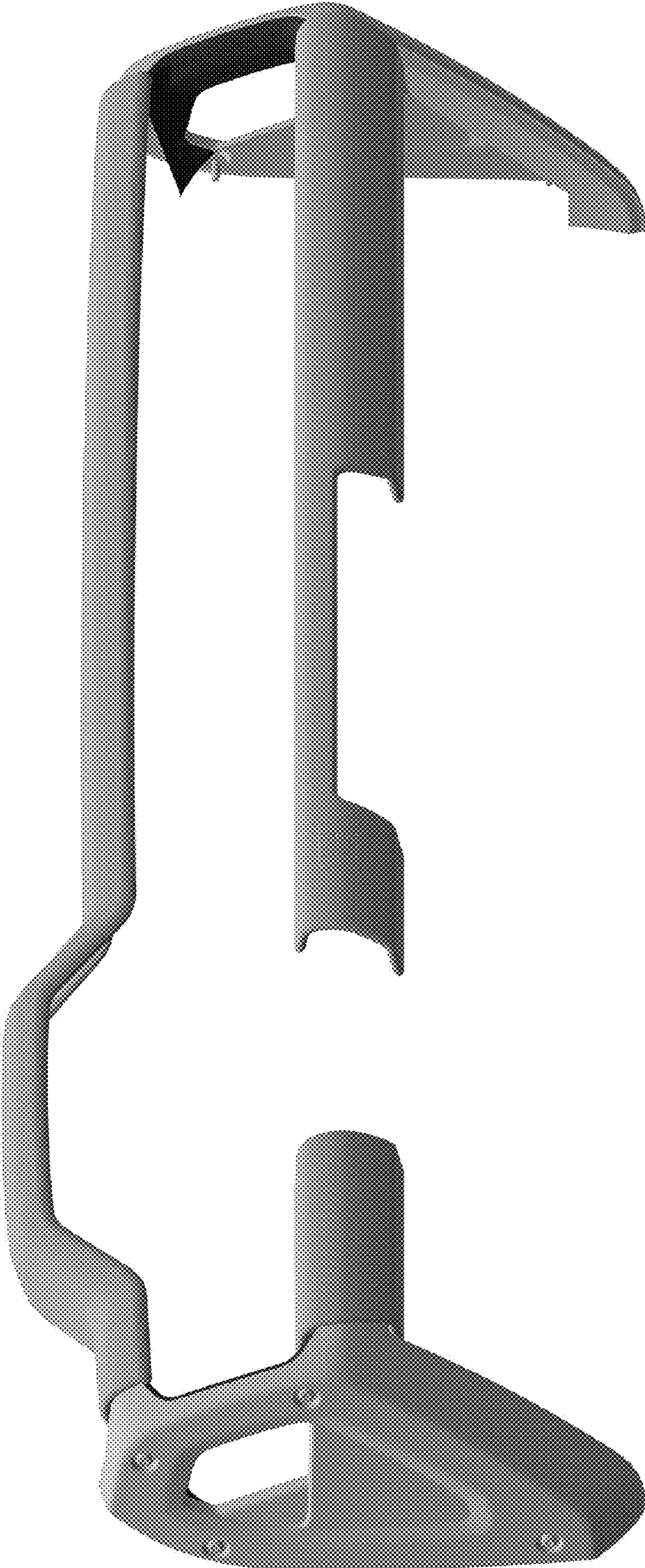


FIG. 2



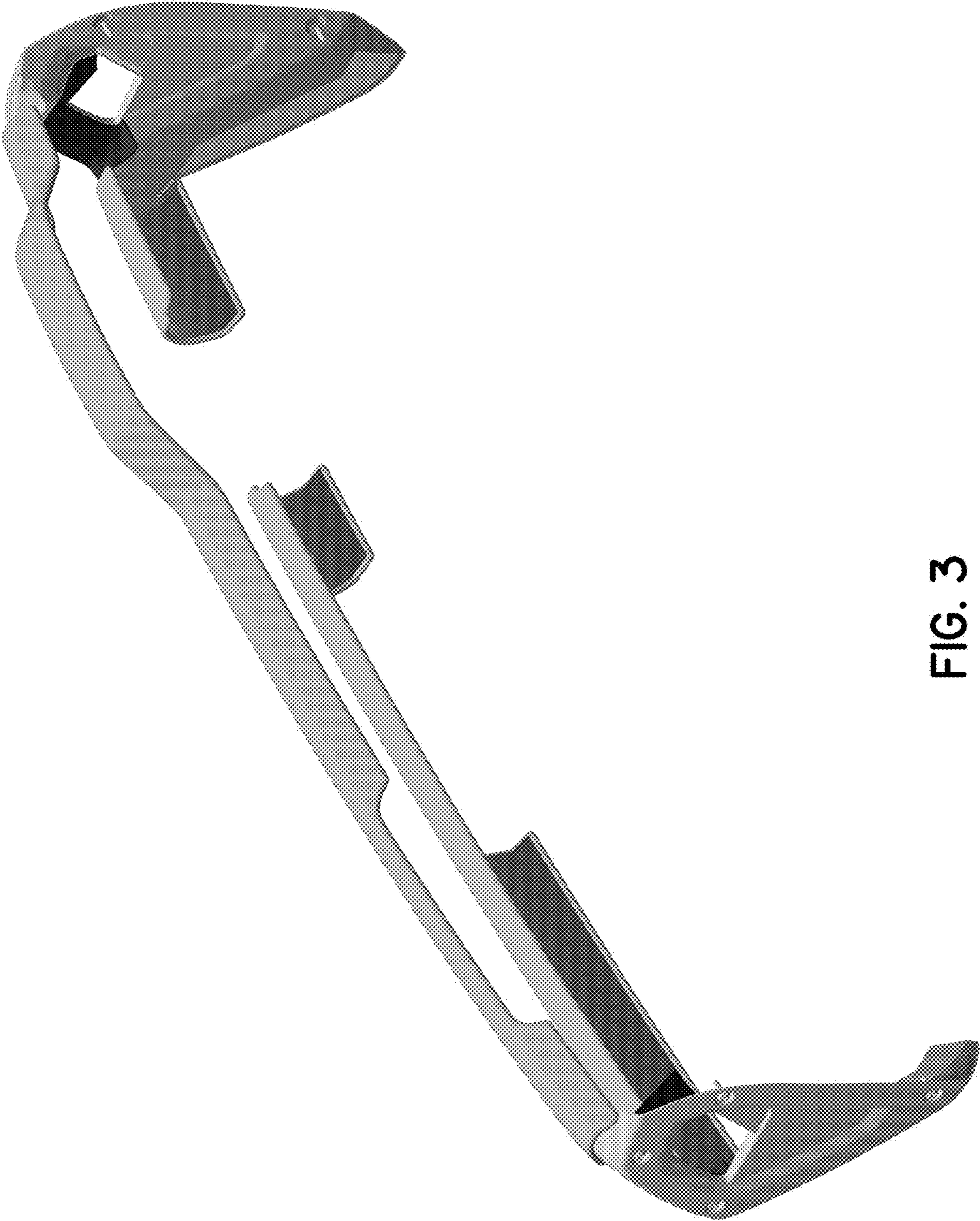


FIG. 3

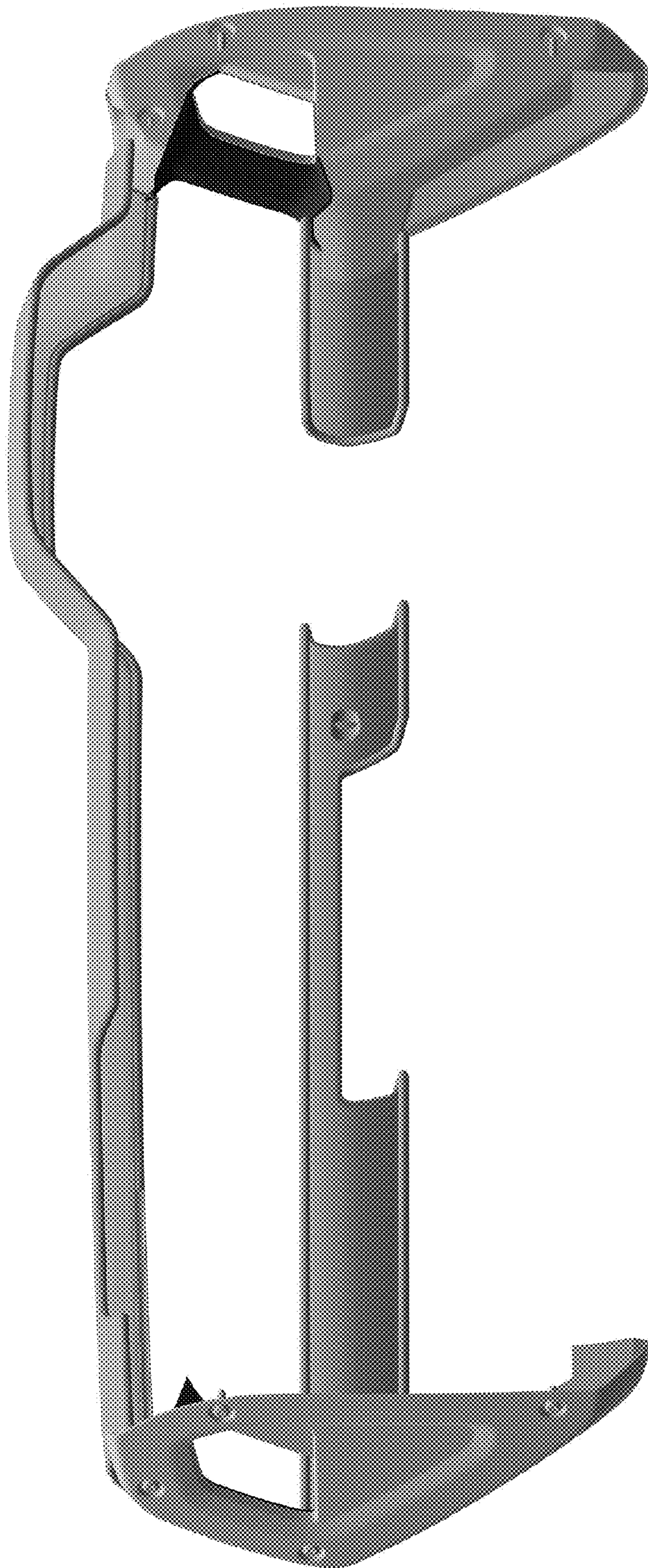


FIG. 4



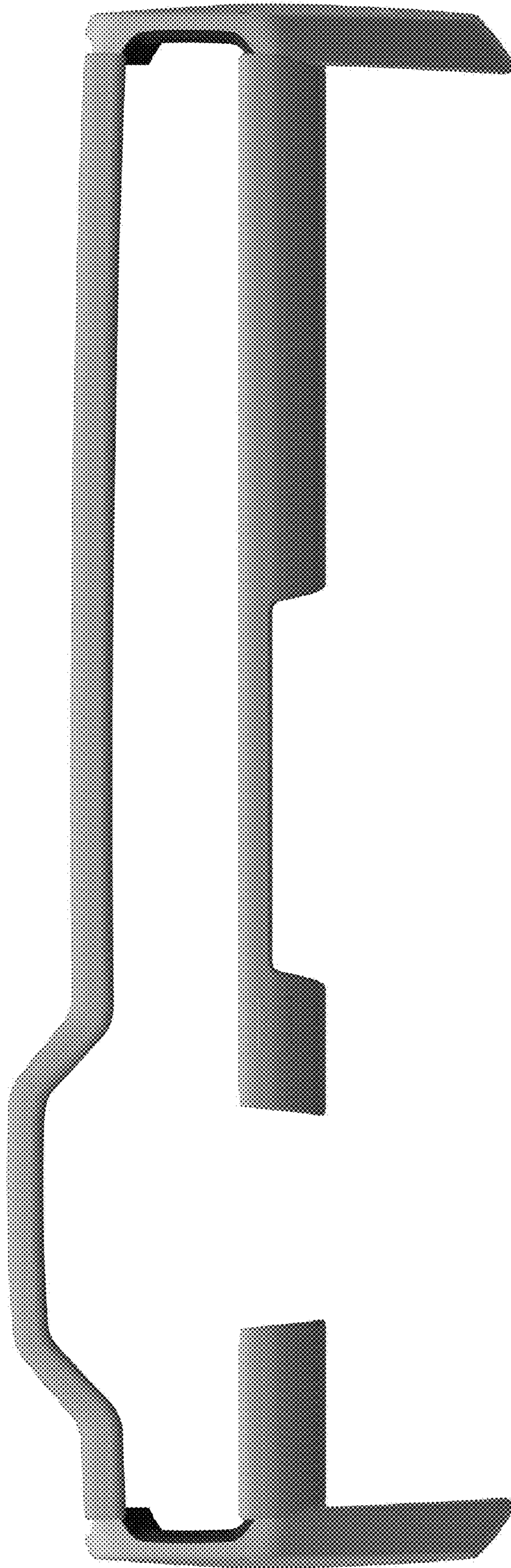


FIG. 5

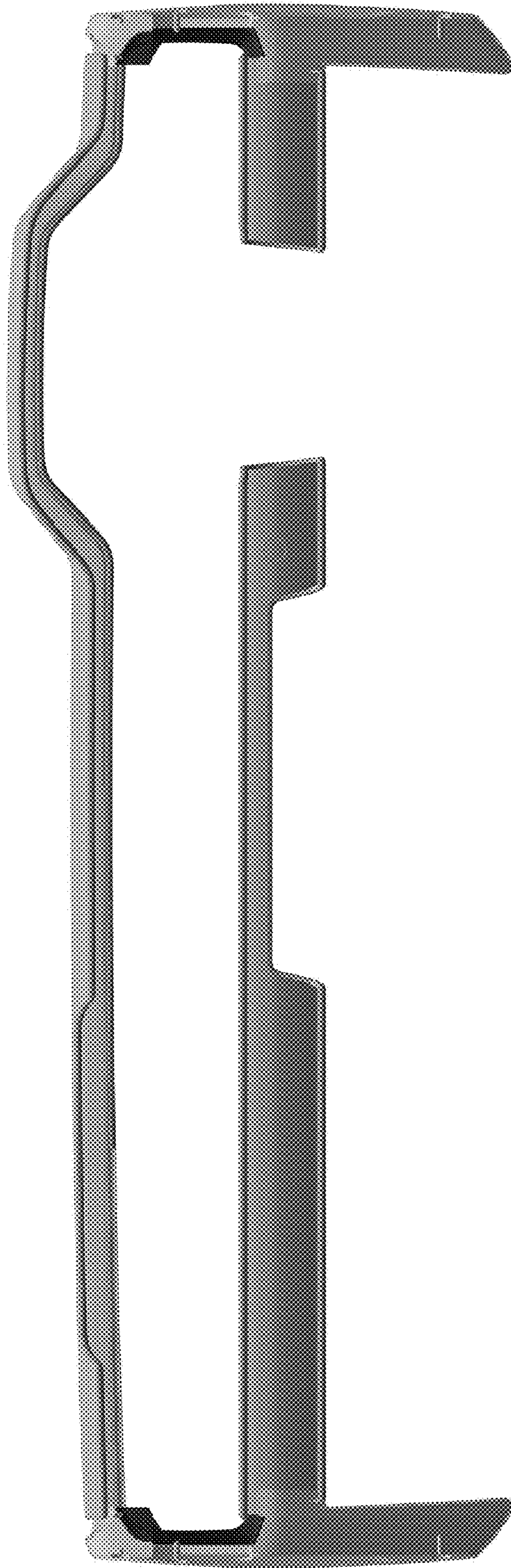


FIG. 6



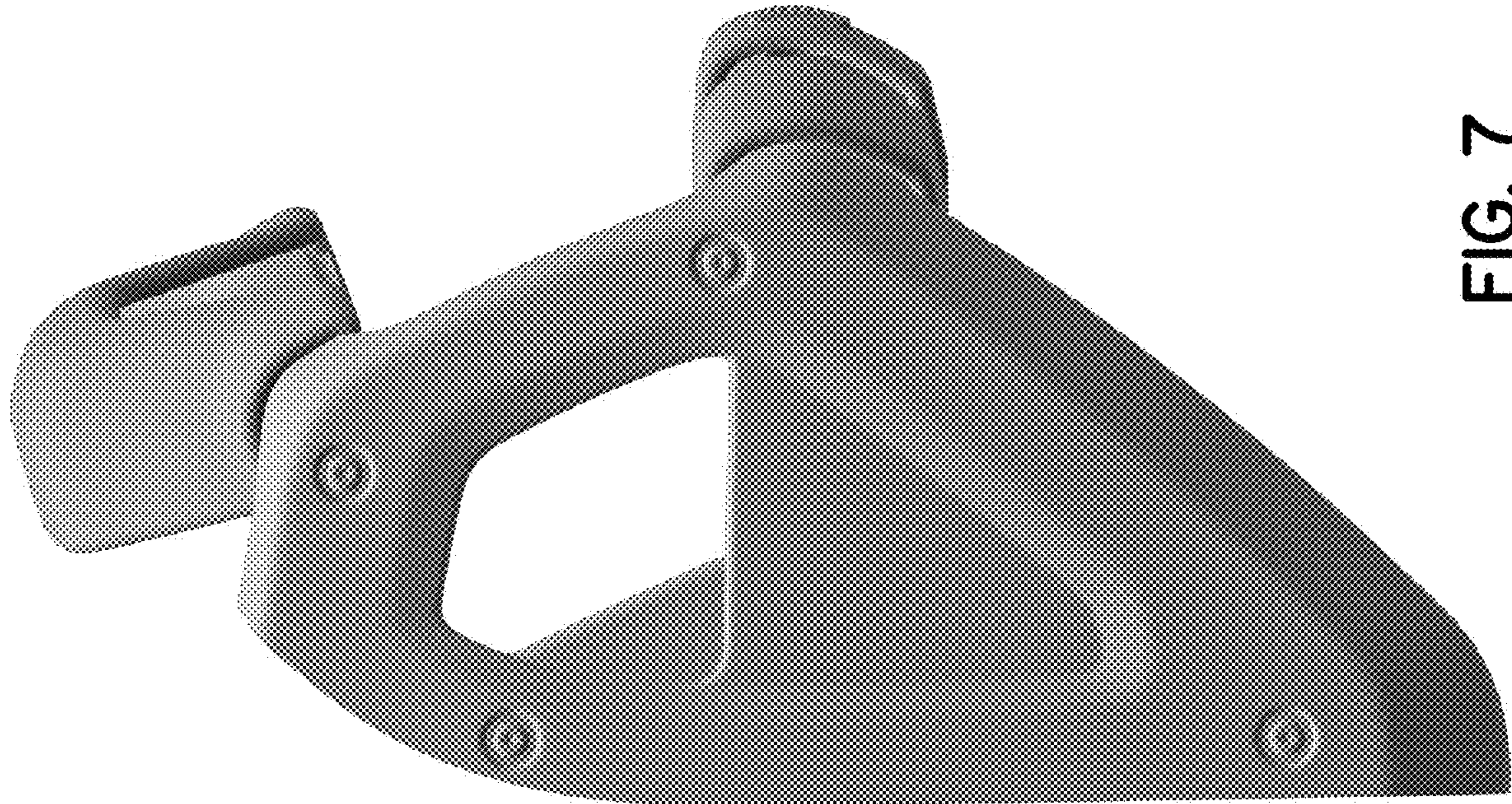


FIG. 7



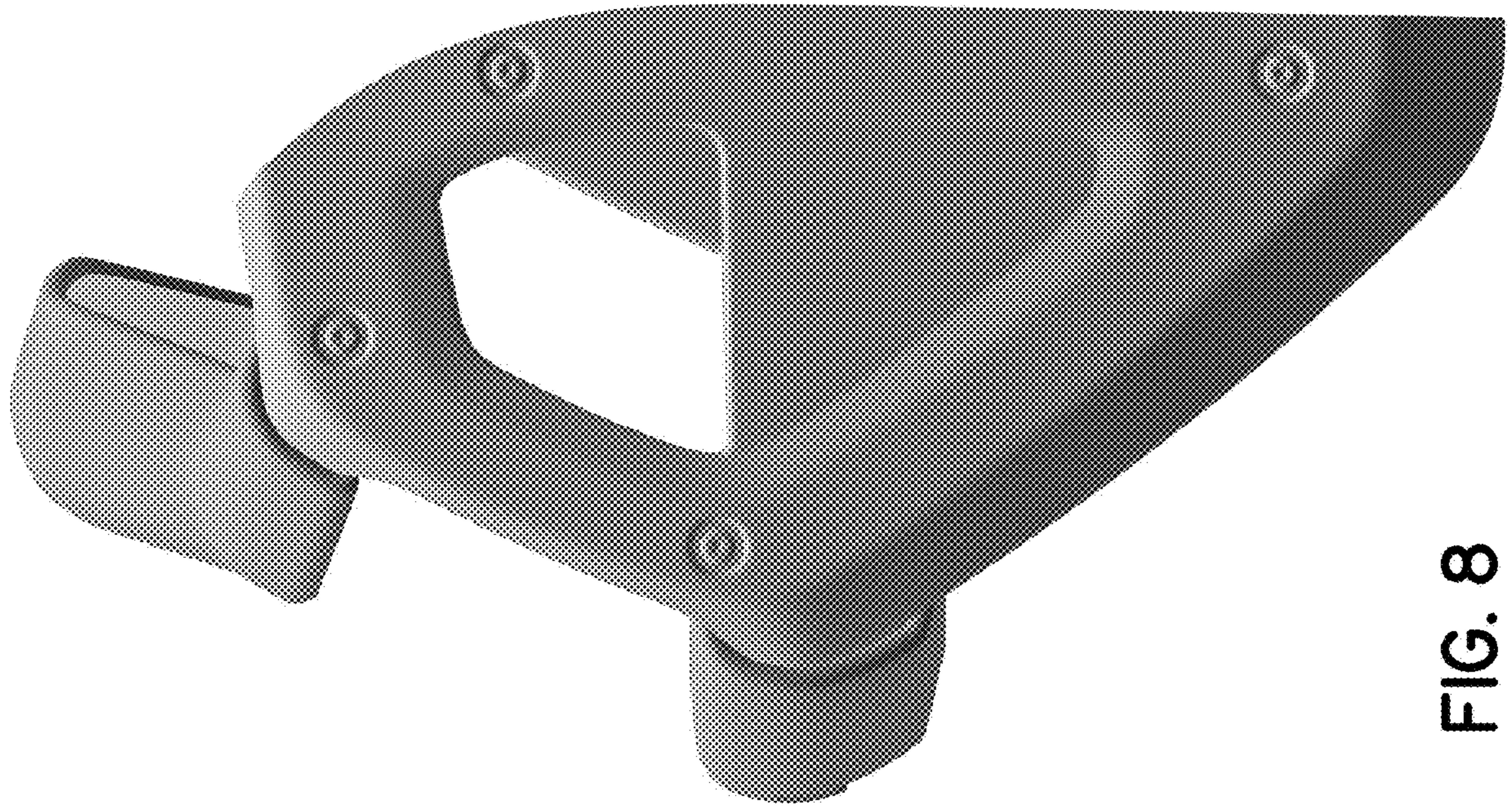


FIG. 8

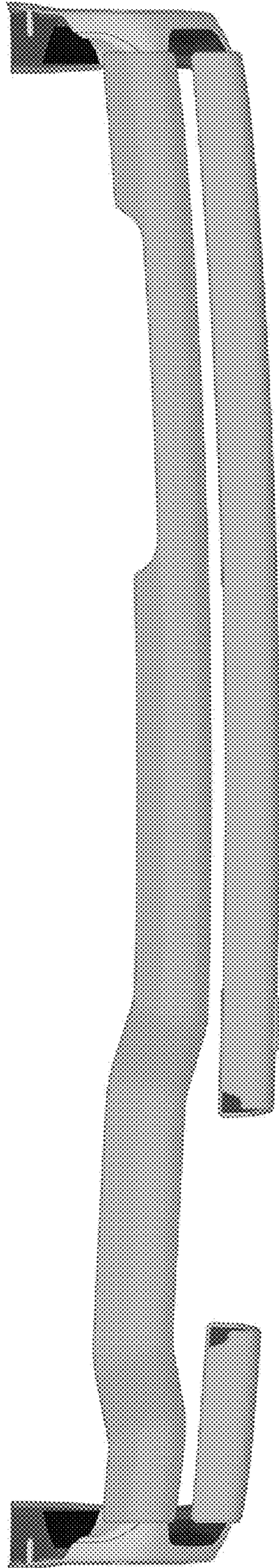


FIG. 9