

US00D960796S

(12) **United States Design Patent** (10) **Patent No.:** **US D960,796 S**  
**Chen et al.** (45) **Date of Patent:** **\*\* \*Aug. 16, 2022**

- (54) **REARVIEW MIRROR**
- (71) Applicant: **CHRIS CAM INDUSTRY INC.,**  
Tainan (TW)
- (72) Inventors: **Cheng-Chung Chen,** Tainan (TW);  
**Hung-Lung Chen,** Tainan (TW)
- (73) Assignee: **Chris Cam Industry Inc.,** Tainan (TW)
- (\*) Notice: This patent is subject to a terminal disclaimer.
- (\*\*) Term: **15 Years**
- (21) Appl. No.: **29/764,983**
- (22) Filed: **Jan. 5, 2021**
- (51) **LOC (13) Cl.** ..... **12-16**
- (52) **U.S. Cl.**  
USPC ..... **D12/187**
- (58) **Field of Classification Search**  
USPC ..... D12/187, 188, 189, 195, 179, 192  
CPC ..... B60R 1/003; B60R 1/078; B60R 1/074;  
B60R 1/075; B60R 1/081; B60R 1/082;  
B60R 1/06; B60R 1/076; B60R 1/08  
See application file for complete search history.

(56) **References Cited**

**U.S. PATENT DOCUMENTS**

D578,047 S *	10/2008	Kaoud .....	D12/187
D589,859 S *	4/2009	Golden .....	D12/187
D605,995 S *	12/2009	Woolley .....	D12/187
D605,996 S *	12/2009	Kruger .....	D12/187
D619,066 S *	7/2010	Golden .....	D12/187
D631,805 S *	2/2011	Chen .....	D12/187
D644,151 S *	8/2011	Chen .....	D12/187

D690,637 S *	10/2013	O'Donnell .....	D12/187
D691,076 S *	10/2013	Vincent .....	D12/187
D716,206 S *	10/2014	Thole .....	D12/187
D731,379 S *	6/2015	Behmer .....	D12/187
D880,385 S *	4/2020	Gillam .....	D12/187
D889,339 S *	7/2020	Chen .....	D12/187
D891,338 S *	7/2020	Ninov .....	D12/187
D902,813 S *	11/2020	Ruiz .....	D12/187
D908,565 S *	1/2021	Choi .....	D12/187
D908,566 S *	1/2021	Zhao .....	D12/187
D919,529 S *	5/2021	Dewitt .....	D12/187
D932,403 S *	10/2021	Jenkins .....	D12/187
D932,966 S *	10/2021	Tonello .....	D12/187
D935,968 S *	11/2021	Kaoud .....	D12/187
2010/0195228 A1 *	8/2010	Sinelli .....	B60R 1/081 359/866

\* cited by examiner

*Primary Examiner* — Susan E Krakower

*Assistant Examiner* — Jerry Shiuian-Hua Hsu

(74) *Attorney, Agent, or Firm* — Rosenberg, Klein & Lee

(57) **CLAIM**

The ornamental design for a rearview mirror, as shown and described.

**DESCRIPTION**

FIG. 1 is a perspective view of a rearview mirror showing our new design;

FIG. 2 is a front elevational view thereof;

FIG. 3 is a rear elevational view thereof;

FIG. 4 is a left side elevational view thereof;

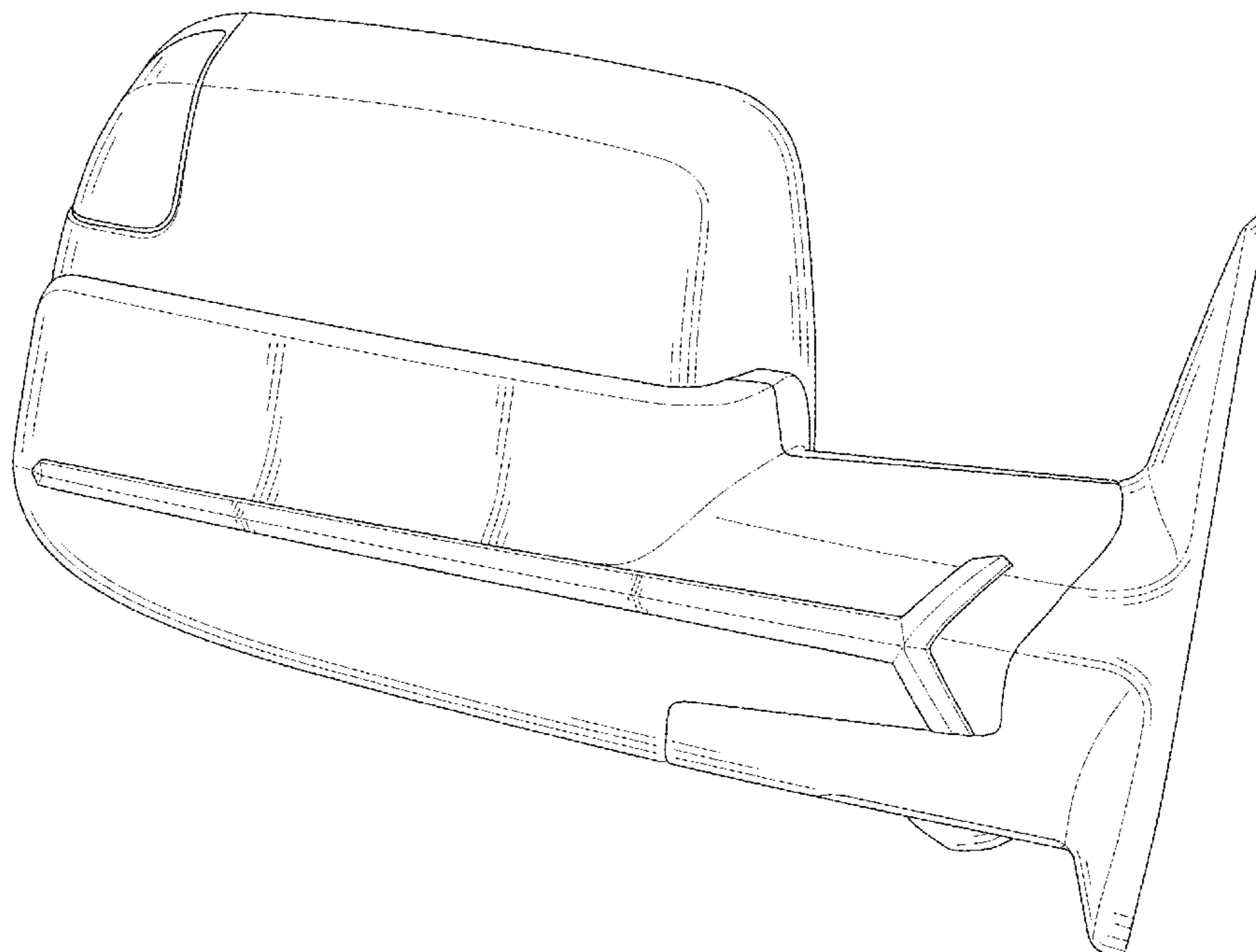
FIG. 5 is a right side elevational view thereof;

FIG. 6 is a top plan view thereof; and,

FIG. 7 is a bottom plan view thereof.

The broken lines shown in the figures illustrate portions of the rearview mirror that form no part of the claimed design.

**1 Claim, 7 Drawing Sheets**



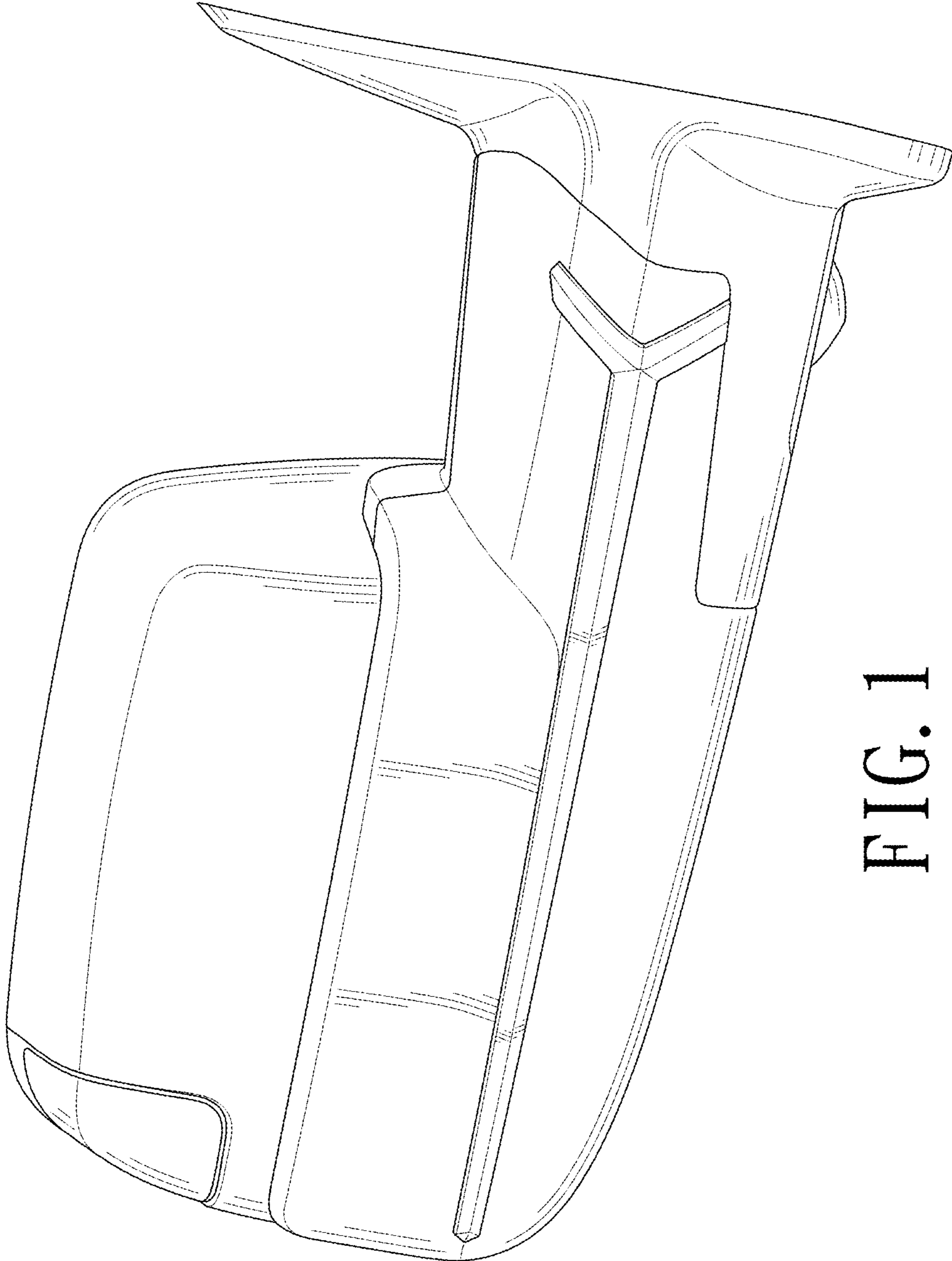


FIG. 1

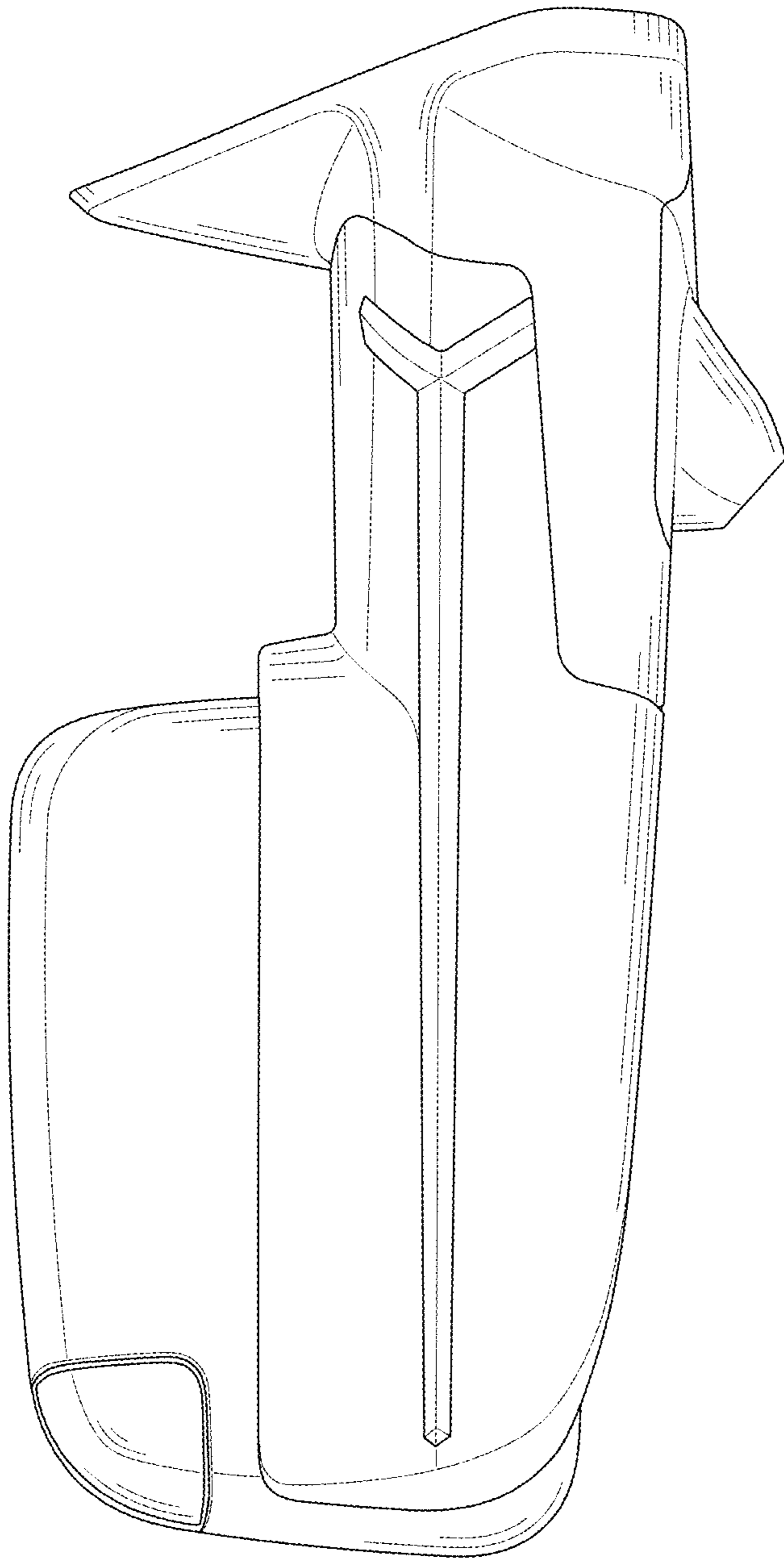


FIG. 2

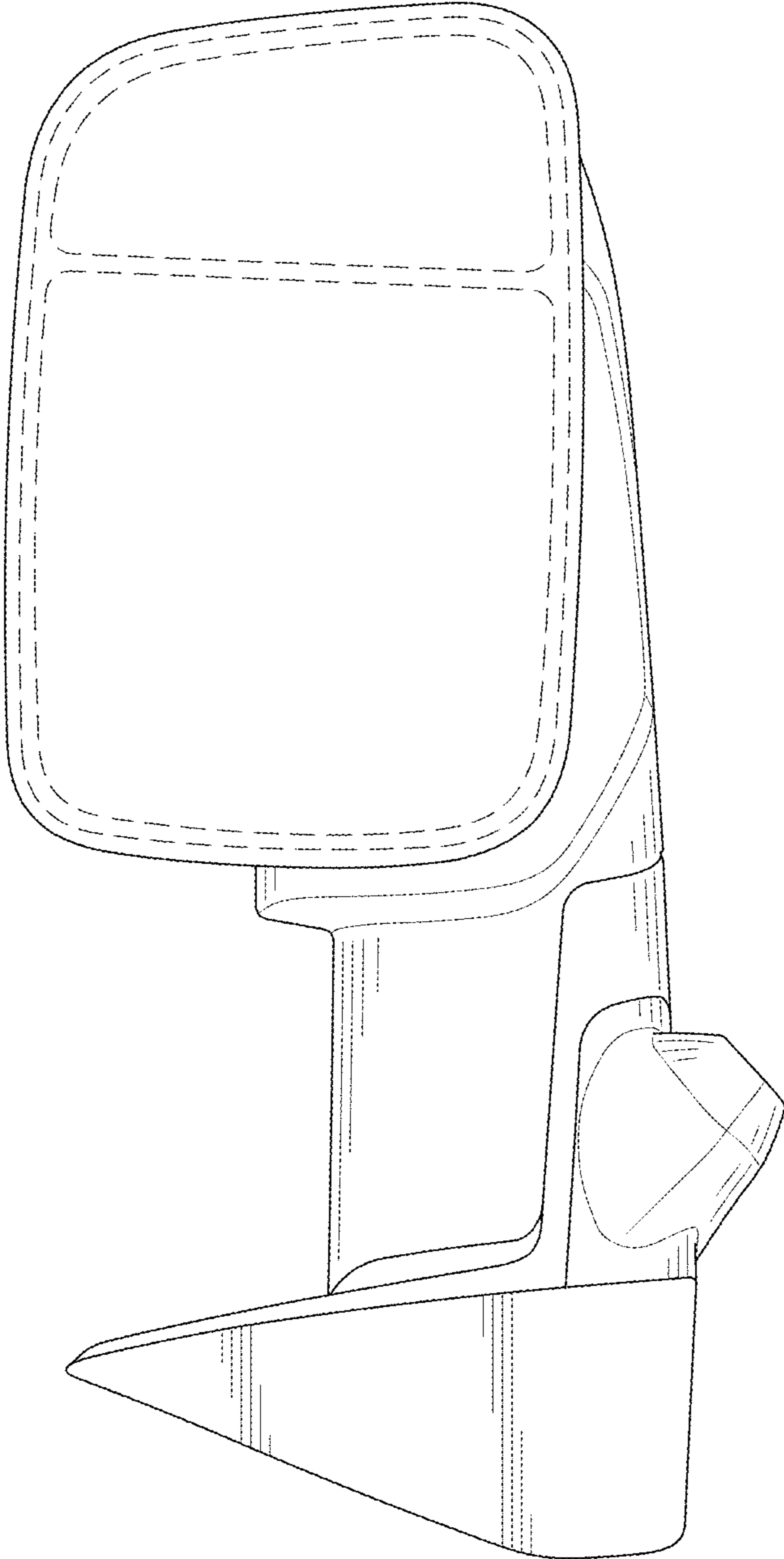


FIG. 3

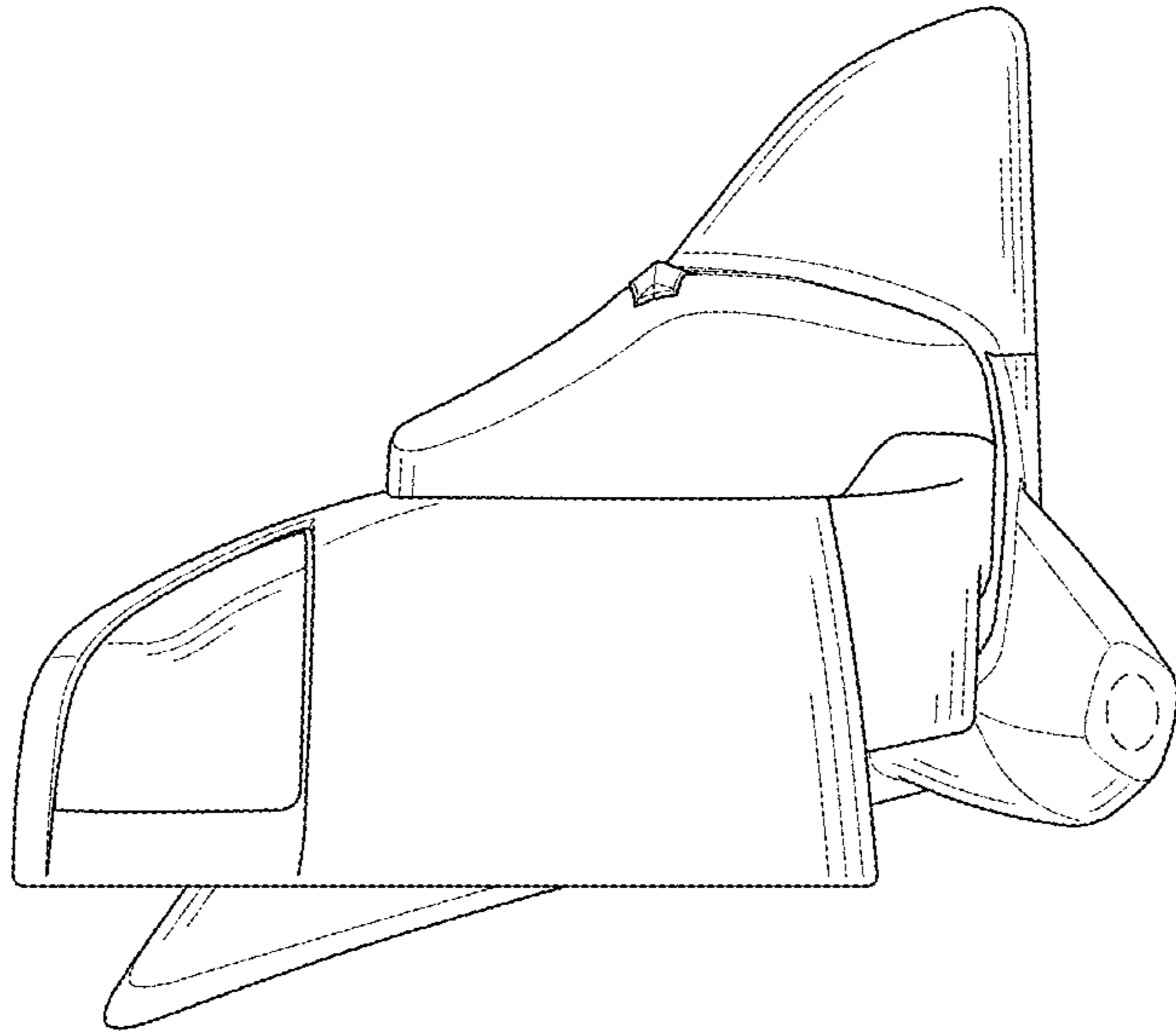


FIG. 4

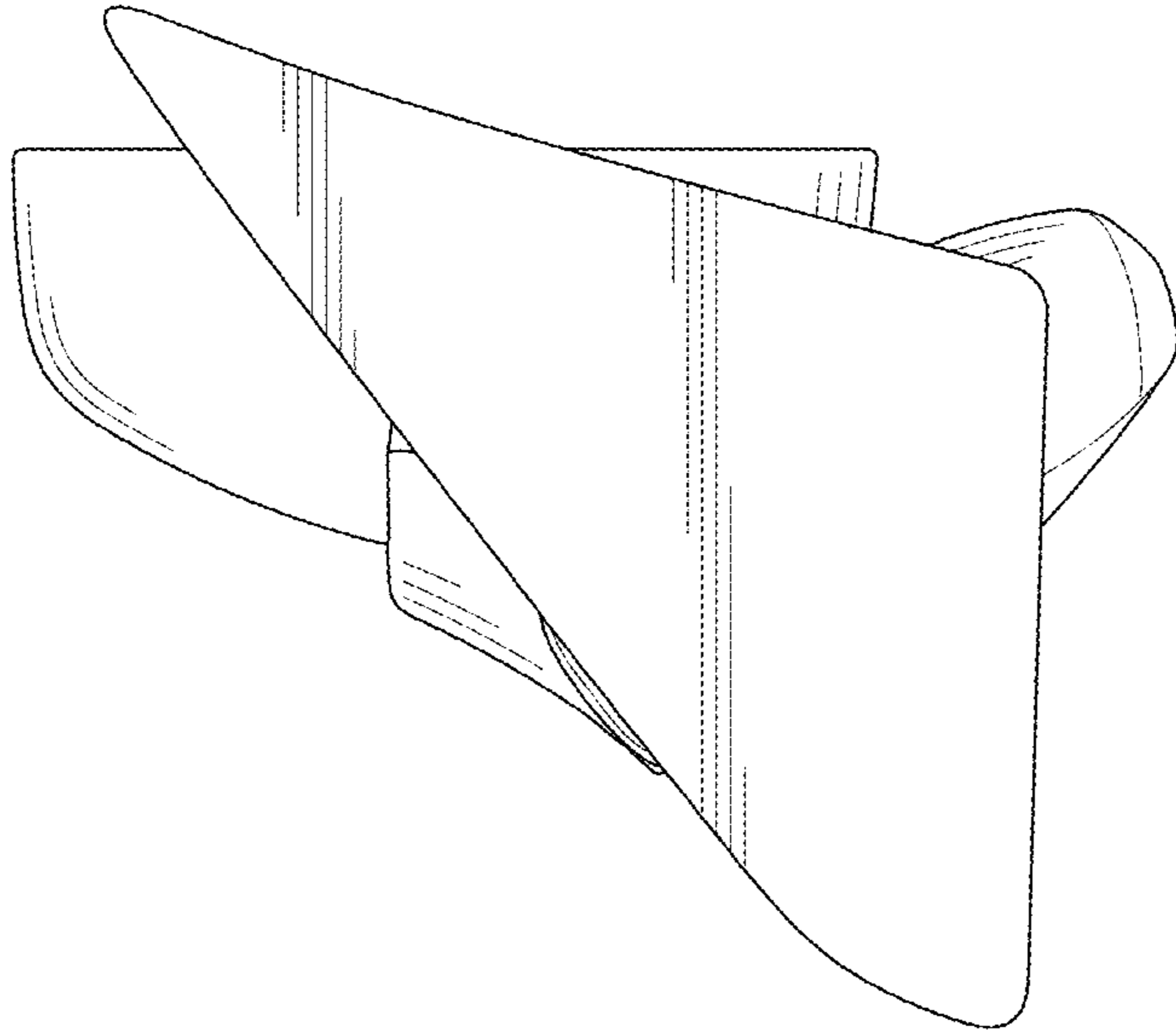


FIG. 5

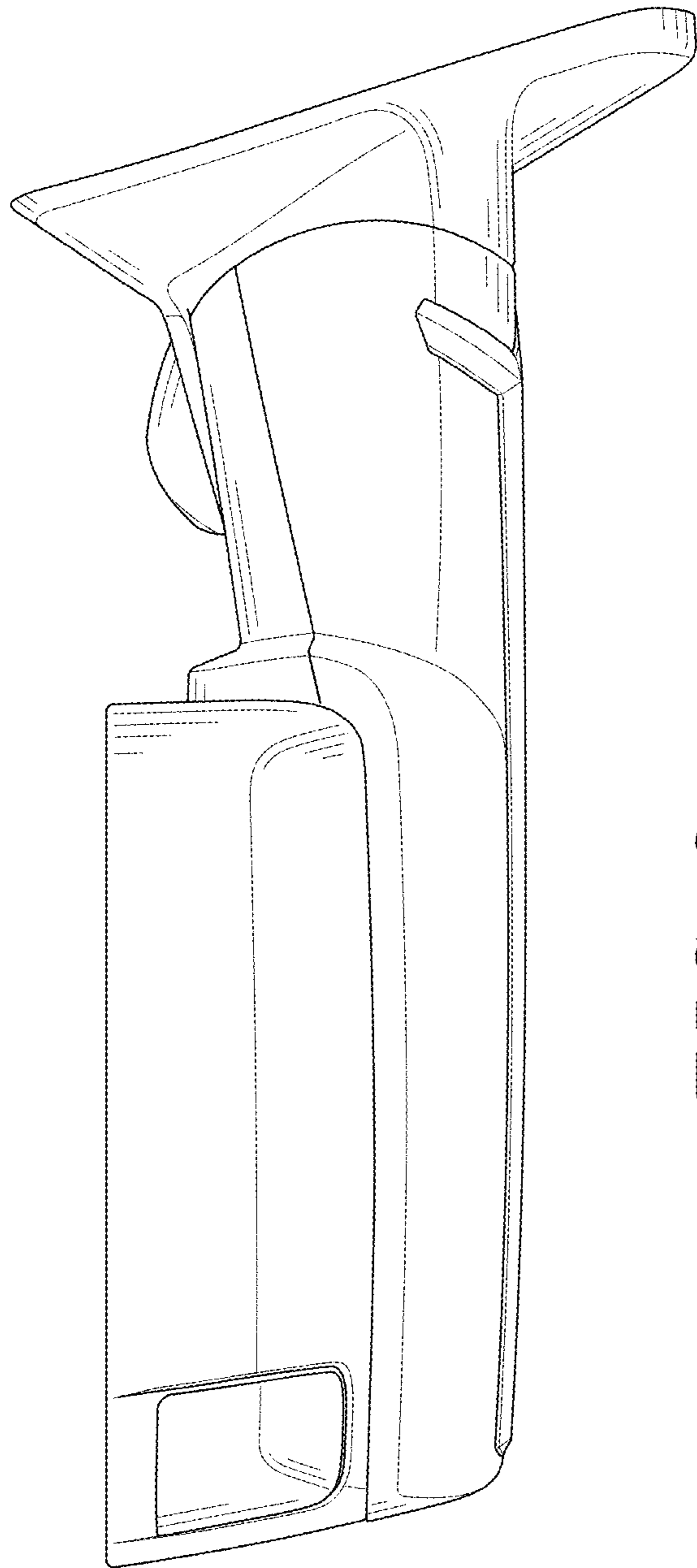


FIG. 6

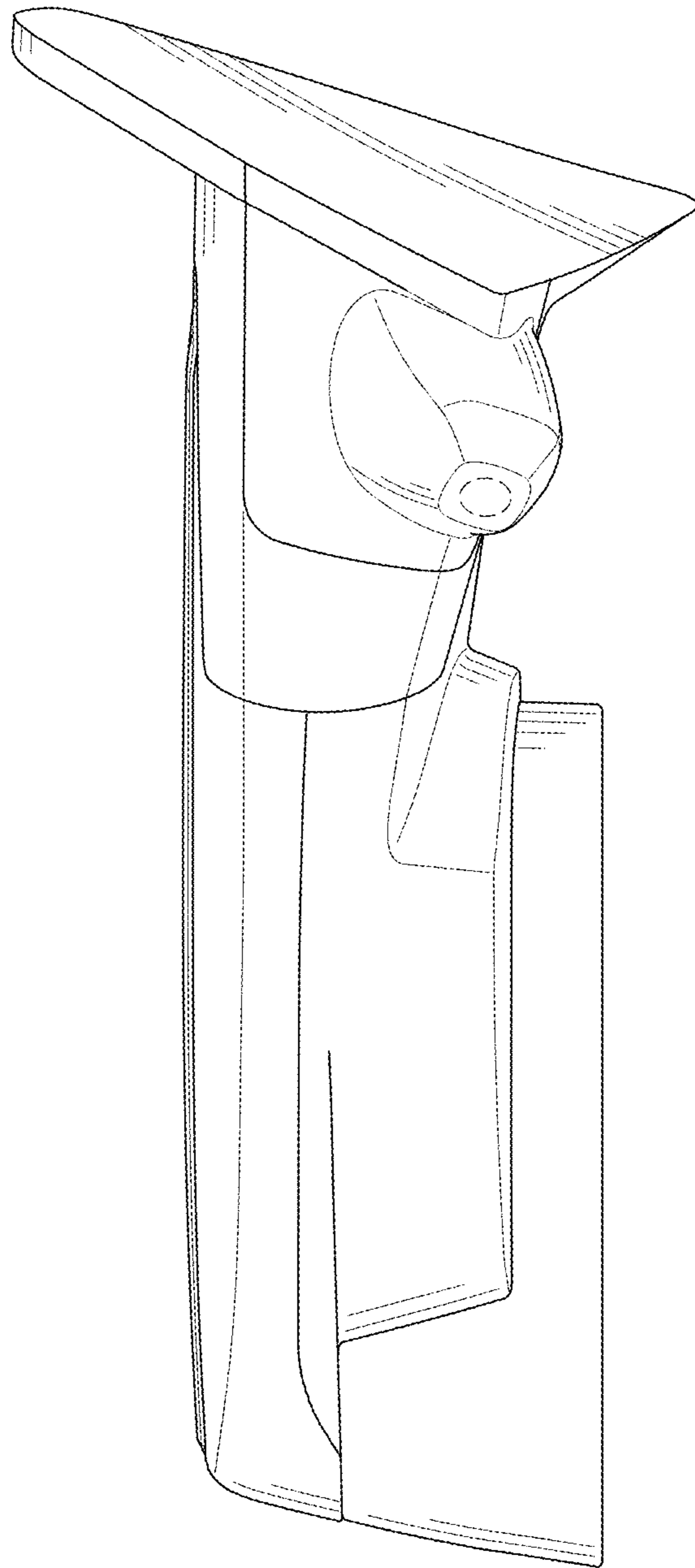


FIG. 7