

US00D960792S

(12) **United States Design Patent**
Zhang

(10) **Patent No.:** **US D960,792 S**

(45) **Date of Patent:** **** Aug. 16, 2022**

- (54) **FOOT PEDAL**
- (71) Applicant: **ShuangYan Zhang**, Jiangxi (CN)
- (72) Inventor: **ShuangYan Zhang**, Jiangxi (CN)
- (**) Term: **15 Years**
- (21) Appl. No.: **29/745,765**
- (22) Filed: **Aug. 8, 2020**
- (51) **LOC (13) Cl.** **12-16**
- (52) **U.S. Cl.**
USPC **D12/174**
- (58) **Field of Classification Search**
USPC D17/14, 20, 21, 24, 9, 99; D13/179;
D12/174; D15/72; D23/233–237,
D23/244–250
CPC G05G 5/03; A61H 1/003; B60T 7/042;
A63B 22/0056; A63B 23/1209; A63B
21/154
See application file for complete search history.

- 7,954,398 B2 * 6/2011 Lee B60T 7/042
74/512
- D669,037 S * 10/2012 Becker D13/167
- 9,050,483 B2 * 6/2015 Frey A61H 1/003
- D807,951 S * 1/2018 Kobayashi D17/99
- D880,578 S 4/2020 Palmer
- 2008/0105790 A1 * 5/2008 Christensen G05G 5/03
244/235
- 2009/0163325 A1 * 6/2009 Piaget A63B 23/03575
482/53
- 2011/0077131 A1 * 3/2011 Chiang A63B 22/0056
482/52
- 2013/0316879 A1 * 11/2013 Prats A63B 23/0405
482/53

* cited by examiner

Primary Examiner — Susan E Krakower
Assistant Examiner — Jerry Shiuan-Hua Hsu
(74) *Attorney, Agent, or Firm* — Zhihua Han; Wen IP
LLC

(57) **CLAIM**

The ornamental design for a foot pedal, as shown and described.

(56) **References Cited**

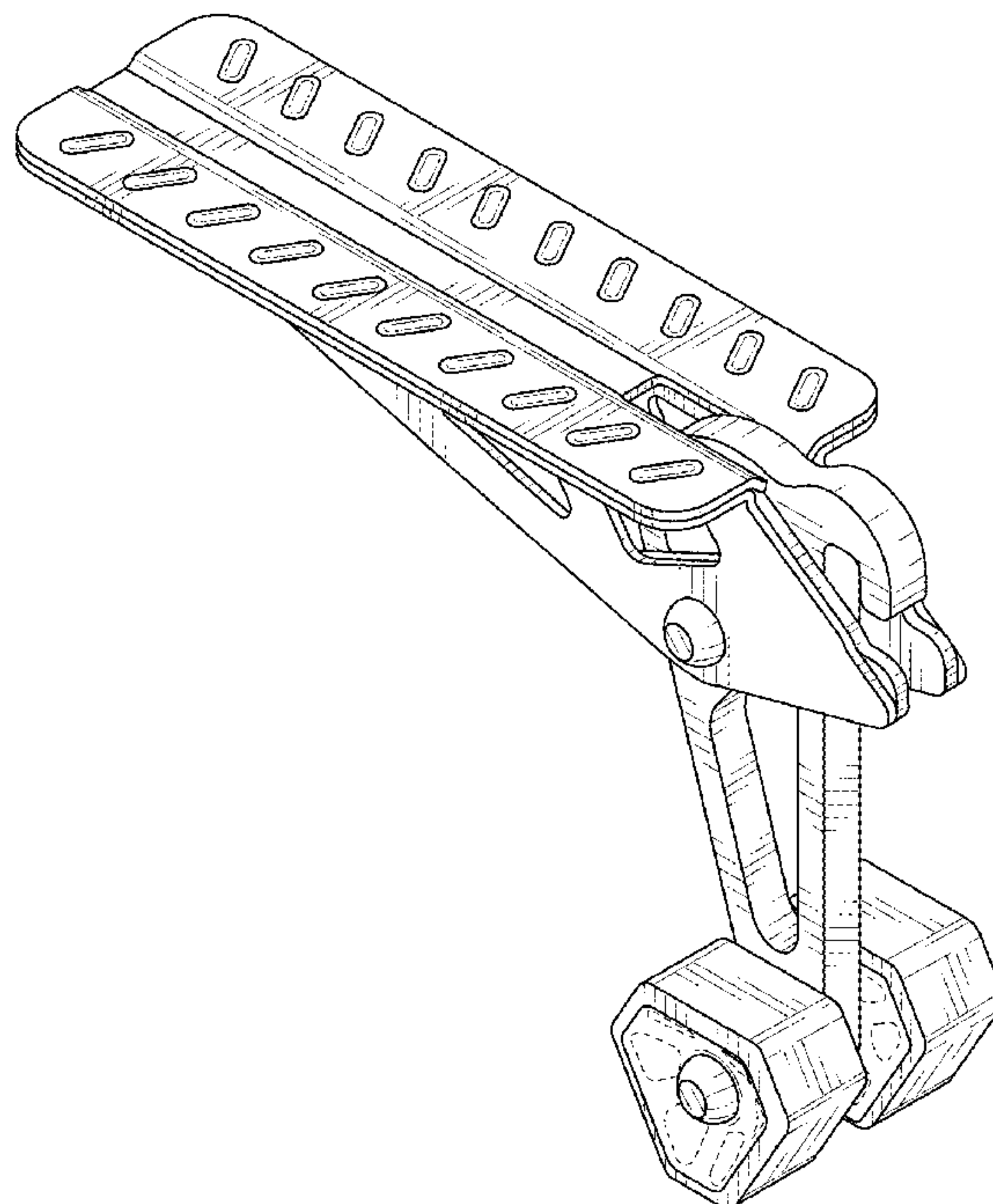
U.S. PATENT DOCUMENTS

- 5,199,934 A * 4/1993 Lin A63B 21/154
482/120
- 5,230,676 A * 7/1993 Terauds A63B 23/1209
482/53
- D349,542 S * 8/1994 Russell D21/670
- 5,976,060 A * 11/1999 Nunez A63B 22/0056
482/52
- D459,381 S * 6/2002 Ridinger D13/167
- D529,579 S * 10/2006 Lopez D23/235
- D540,227 S 4/2007 Doucet
- D626,901 S * 11/2010 Fallot D12/174
- D629,342 S * 12/2010 Fallot D12/174

DESCRIPTION

FIG. 1 is a perspective view of a foot pedal showing my new design;
FIG. 2 is a front elevational view thereof;
FIG. 3 is a rear elevational view thereof;
FIG. 4 is a left side elevational view thereof;
FIG. 5 is a right side elevational view thereof;
FIG. 6 is a top plan view thereof; and,
FIG. 7 is a bottom plan view thereof.
The broken lines illustrate portions of the foot pedal that form no part of the claimed design.

1 Claim, 7 Drawing Sheets



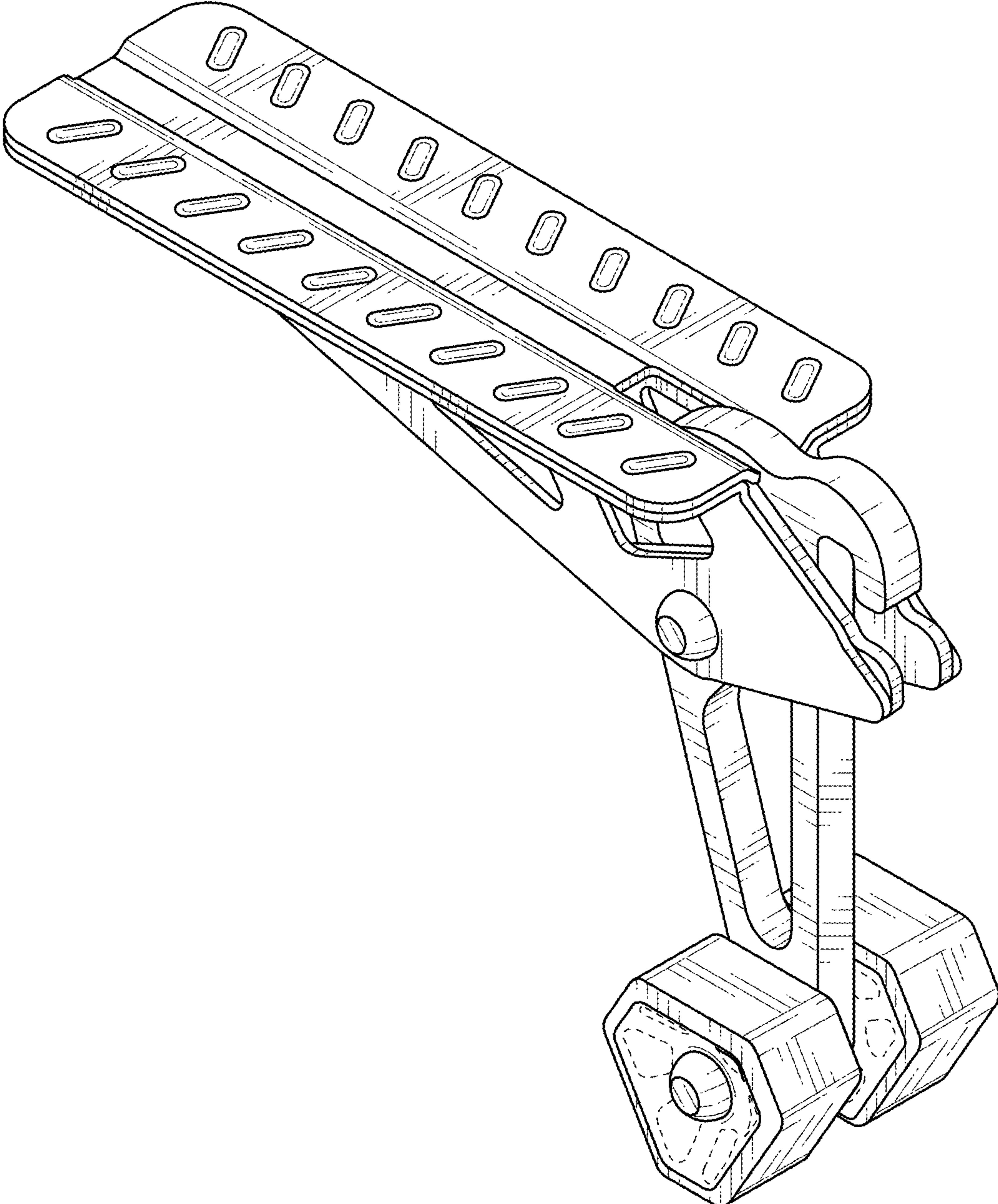


FIG. 1

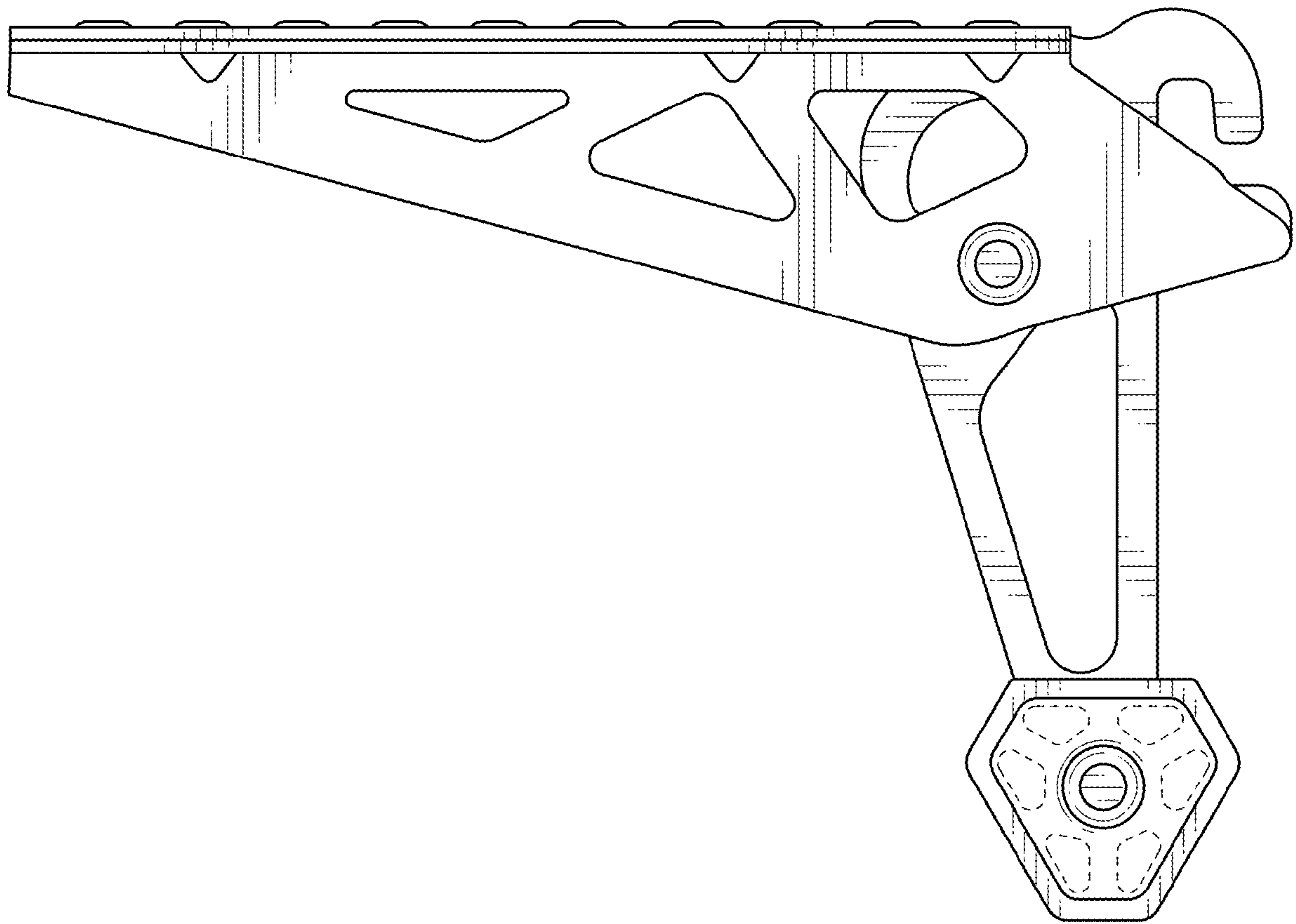


FIG. 2

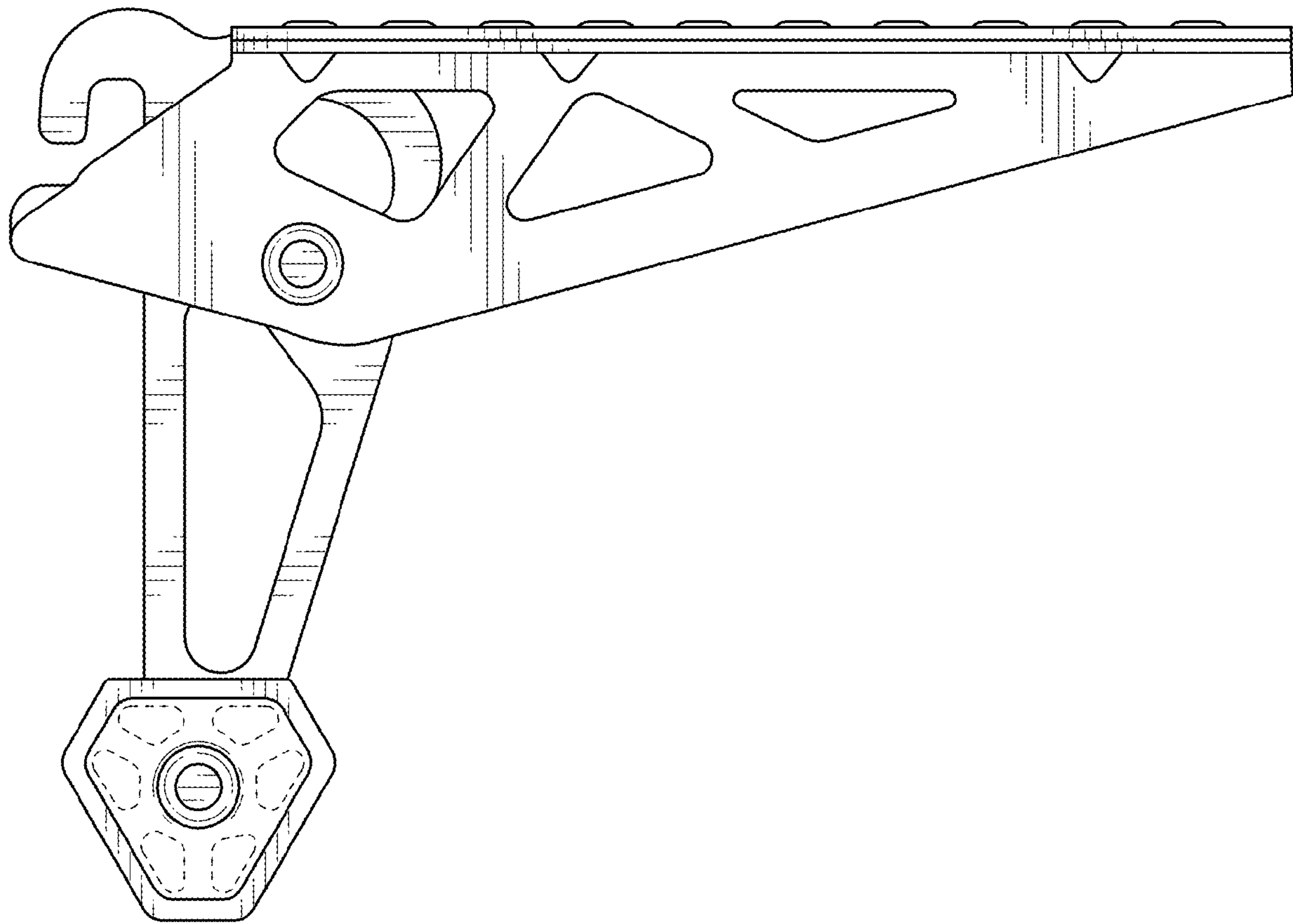


FIG. 3

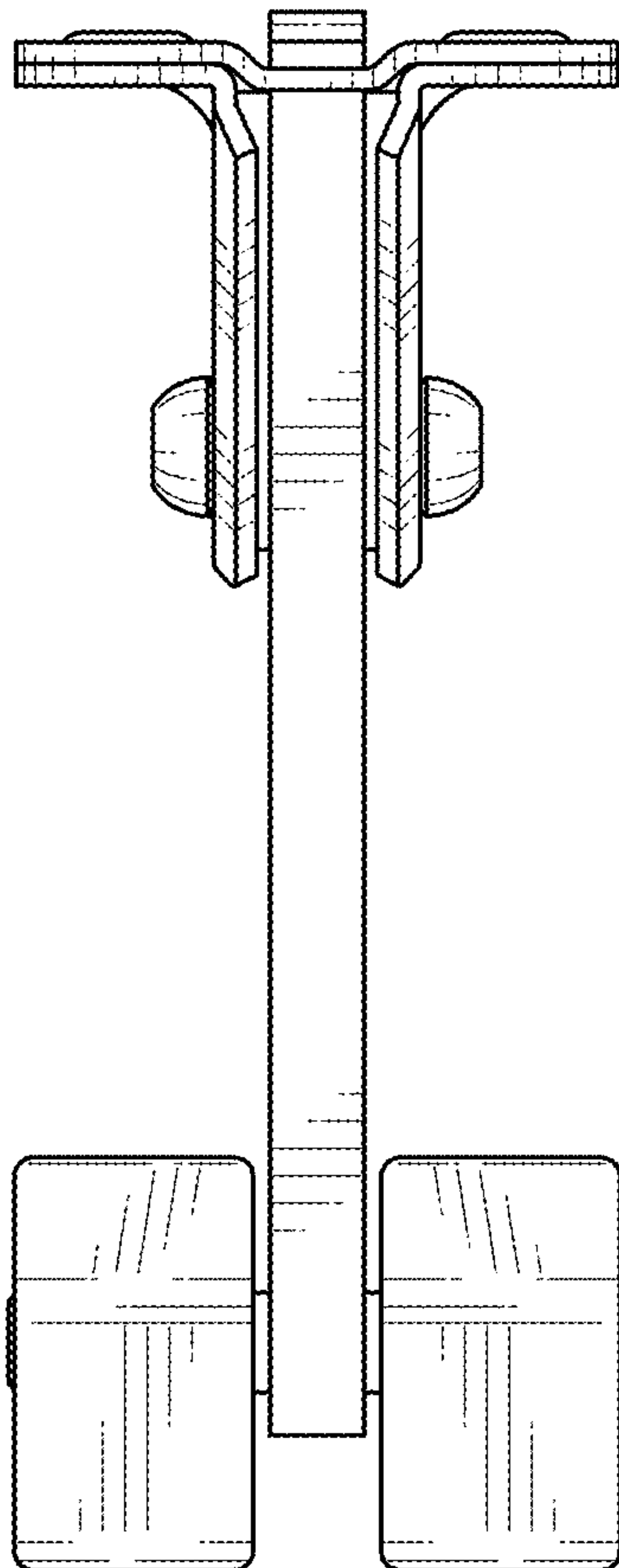


FIG. 4

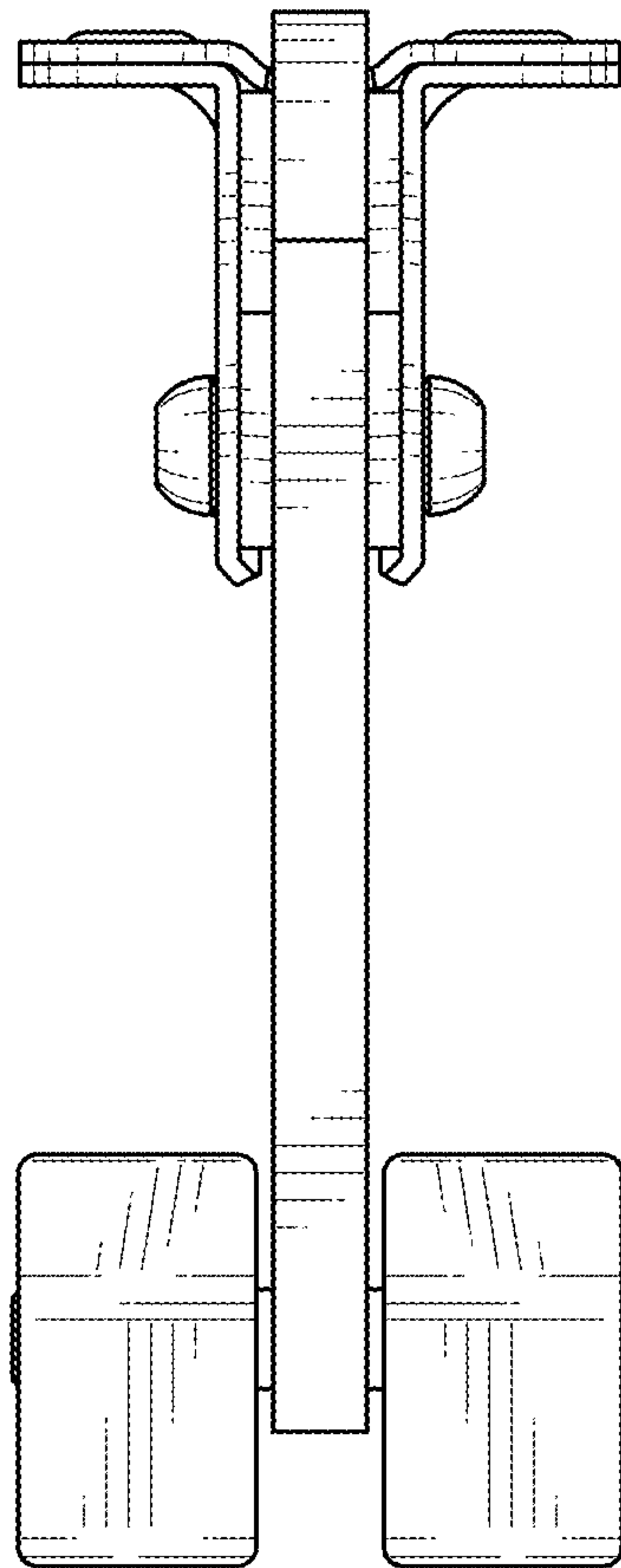


FIG. 5

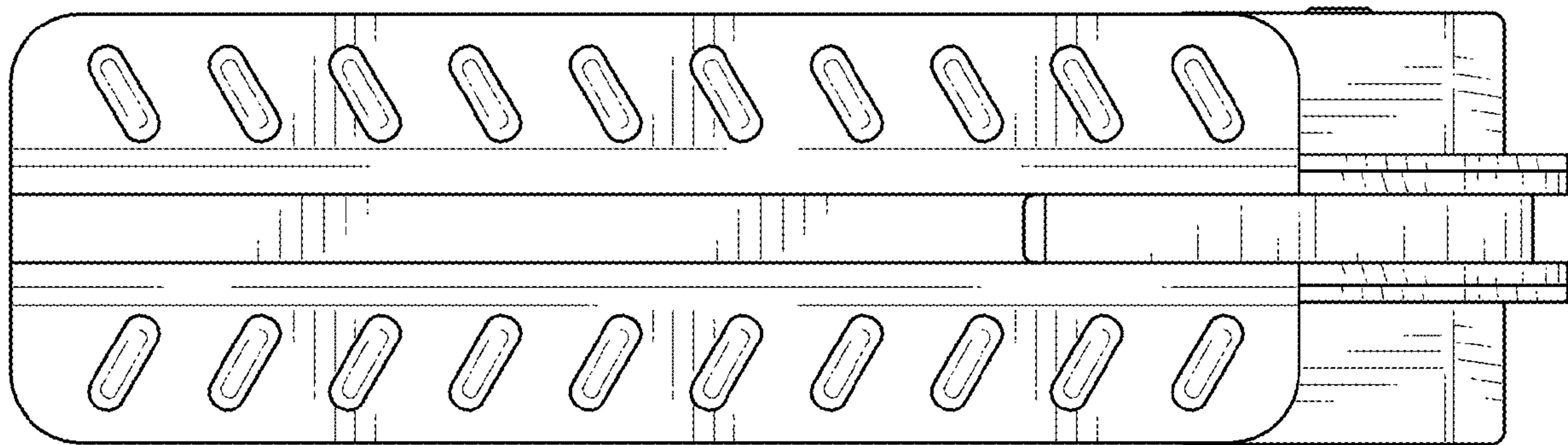


FIG. 6

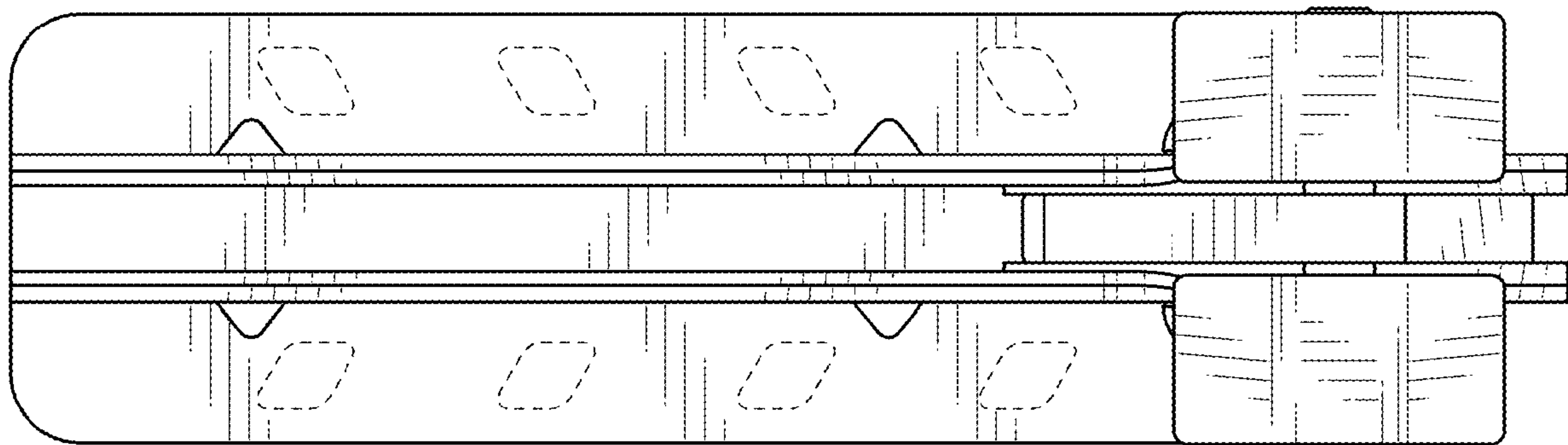


FIG. 7