



US00D960788S

(12) **United States Design Patent** (10) **Patent No.:** **US D960,788 S**
Acton et al. (45) **Date of Patent:** **** Aug. 16, 2022**

(54) **HOOD FOR A VEHICLE**
(71) Applicant: **PACCAR Inc**, Bellevue, WA (US)
(72) Inventors: **Jon Forrest Acton**, Fort Worth, TX (US); **Tu Hoang Do**, Lewisville, TX (US); **Troy Robin McCuller**, Argyle, TX (US); **Derek Scott Sancer**, Denton, TX (US)

(73) Assignee: **PACCAR Inc**, Bellevue, WA (US)
(**) Term: **15 Years**

(21) Appl. No.: **29/751,228**
(22) Filed: **Sep. 18, 2020**
(51) **LOC (13) Cl.** **12-08**
(52) **U.S. Cl.**
USPC **D12/173**
(58) **Field of Classification Search**
USPC ... D12/1, 14, 82, 86, 87, 89, 90, 91, 92, 93, D12/96, 97, 98, 99, 106, 164, 167, 169, D12/170, 171, 172, 173, 181, 184, 185, D12/190, 192, 196, 400; D21/533, 548, D21/552, 561; D15/28
CPC B62D 25/02; B62D 25/10; B62D 25/12; B62D 25/105; B62D 25/08; B62D 25/16; B62D 25/18; B62D 25/161; B62D 25/168; B62D 25/182; B62D 25/184; B62D 23/005; B60R 19/00
See application file for complete search history.

(56) **References Cited**

U.S. PATENT DOCUMENTS

D268,258 S * 3/1983 Fisk D12/164
D306,421 S * 3/1990 Allendorph D12/173
D306,714 S * 3/1990 Allendorph D12/173
D307,126 S * 4/1990 Allendorph D12/173
D328,273 S * 7/1992 McGrew, Jr. D12/173
D335,272 S * 5/1993 Allendorph D12/173

D366,638 S 1/1996 Tucker et al.
D367,027 S * 2/1996 Onopa D12/173
D382,841 S 8/1997 Norwood et al.
(Continued)

FOREIGN PATENT DOCUMENTS

CN 109178107 A * 1/2019

OTHER PUBLICATIONS

Peterbilt Model 579, Published date unavailable [online], [retrieved on Jul. 26, 2021]. Retrieved from the Internet: <https://www.peterbilt.com/trucks/highway/model-579> (Year: 2021).*
(Continued)

Primary Examiner — Cary M Robinson
Assistant Examiner — Adam C Mager
(74) *Attorney, Agent, or Firm* — Seed IP Law Group LLP

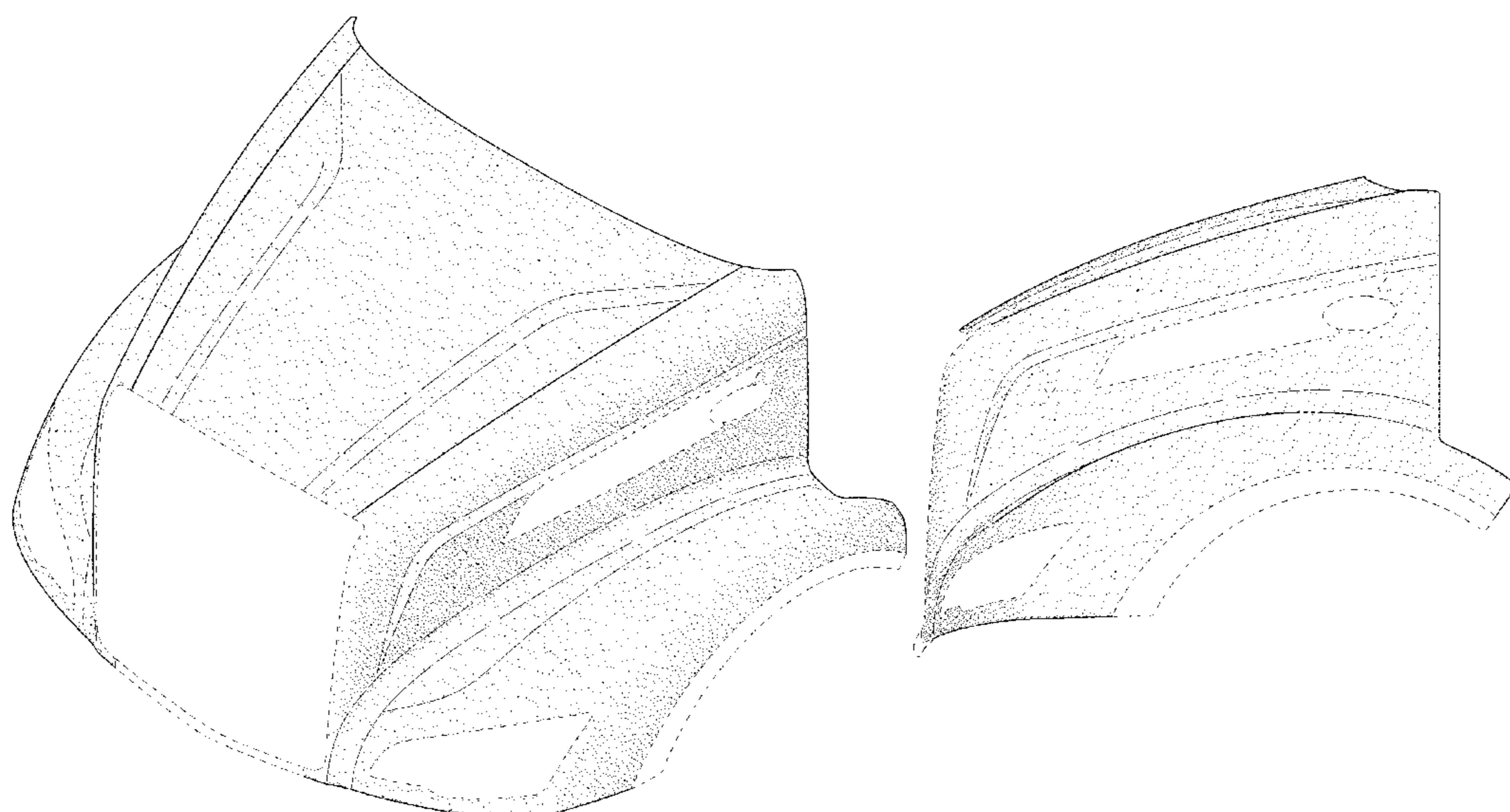
(57) **CLAIM**

The ornamental design for a hood for a vehicle, as shown and described.

DESCRIPTION

FIG. 1 is a perspective view of a hood for a vehicle, showing our new design.
FIG. 2 is a front elevational view thereof.
FIG. 3 is an enlarged view of a portion of the hood for a vehicle of FIG. 2 in which the hood for a vehicle is pitched upwards.
FIG. 4 is a rear elevational view of the hood for a vehicle.
FIG. 5 is a left side elevational view thereof.
FIG. 6 is a right side elevational view thereof.
FIG. 7 is a top plan view thereof; and,
FIG. 8 is a bottom plan view thereof.
Stippling and tangency lines in the drawings represent the three-dimensional contours of the design, and are not intended to indicate surface decoration. The broken lines shown in the drawings depict portions of the hood for a vehicle that form no part of the claimed design.

1 Claim, 8 Drawing Sheets



(56)

References Cited

U.S. PATENT DOCUMENTS

- D391,908 S * 3/1998 Allendorph D12/173
D393,436 S * 4/1998 Williams D12/173
D394,624 S * 5/1998 Allendorph D12/173
D395,860 S * 7/1998 Meryman et al.
D401,198 S * 11/1998 Mueller D12/173
D403,636 S * 1/1999 Meryman et al.
D411,494 S * 6/1999 Meryman et al.
D422,251 S * 4/2000 Bader et al.
D426,800 S * 6/2000 Zimmerman D12/173
D435,816 S * 1/2001 Delashaw D12/173
D436,563 S * 1/2001 Delashaw D12/173
D437,574 S * 2/2001 Beigel D12/173
D445,384 S * 7/2001 Tirey D12/173
D458,197 S * 6/2002 Maher D12/173
D466,450 S * 12/2002 Maher D12/173
D484,077 S * 12/2003 Conway D12/173
D488,112 S * 4/2004 Satou D12/173
D492,921 S * 7/2004 Perfetti D12/173
D497,581 S * 10/2004 Conway et al.
D502,901 S * 3/2005 Delashaw D12/173
D504,642 S * 5/2005 Perfetti D12/173
D531,947 S * 11/2006 Angelo et al.
D532,350 S * 11/2006 Angelo D12/173
D532,352 S * 11/2006 Angelo D12/184
D536,287 S * 2/2007 Beigel D12/173
D540,725 S * 4/2007 Gunter D12/173
D545,250 S * 6/2007 Angelo et al.
D545,251 S * 6/2007 Angelo et al.
D545,254 S * 6/2007 Angelo D12/173
D550,131 S * 9/2007 Onopa D12/173
D556,654 S * 12/2007 Lee D12/173
D560,575 S * 1/2008 Simons et al.
D560,582 S * 1/2008 Simons et al.
D560,583 S * 1/2008 Simons et al.
D563,849 S * 3/2008 Medina D12/173
D563,850 S * 3/2008 Rosen D12/173
D563,851 S * 3/2008 Rosen D12/173
D563,852 S * 3/2008 Rosen D12/173
D571,696 S * 6/2008 Rosen D12/173
D578,453 S * 10/2008 Raghavendran D12/173
D588,512 S * 3/2009 Raghavendran D12/173
D621,754 S * 8/2010 Angelo et al.
D622,188 S * 8/2010 Angelo et al.
D632,224 S * 2/2011 Peltola D12/96
D632,234 S * 2/2011 Peltola D12/173
D647,832 S * 11/2011 Medina D12/173
D654,401 S * 2/2012 Peltola D12/96
D654,417 S * 2/2012 Peltola D12/196
D686,122 S * 7/2013 Peltola D12/173
D690,242 S * 9/2013 Conway D12/173
D690,632 S * 10/2013 Peltola D12/173
D699,650 S * 2/2014 Peltola et al.
D699,651 S * 2/2014 Peltola et al.
D706,690 S * 6/2014 Peltola D12/184
D707,160 S * 6/2014 Peltola D12/173
D707,161 S * 6/2014 Peltola D12/173
D707,163 S * 6/2014 Peltola D12/184
D708,104 S * 7/2014 Conway D12/196
D708,553 S * 7/2014 Conway D12/96
D708,985 S * 7/2014 Peltola D12/96
D708,986 S * 7/2014 Conway D12/96
D708,999 S * 7/2014 Conway D12/173
D709,000 S * 7/2014 Peltola D12/173
D709,001 S * 7/2014 Conway D12/173
D709,406 S * 7/2014 Conway D12/96
D709,407 S * 7/2014 Conway D12/96
D709,408 S * 7/2014 Peltola D12/96
D709,411 S * 7/2014 Peltola D12/173
D709,421 S * 7/2014 Conway D12/196
D709,422 S * 7/2014 Peltola D12/196
D709,423 S * 7/2014 Peltola D12/196
D709,424 S * 7/2014 Conway D12/196
D709,425 S * 7/2014 Conway D12/196
D729,709 S * 5/2015 Conway D12/173
D738,273 S * 9/2015 Hanson D12/173
D738,274 S * 9/2015 Hanson D12/173
D743,308 S * 11/2015 Hanson D12/173
D771,539 S * 11/2016 Brzustowicz D12/173
D778,216 S * 2/2017 Ito D12/173
D778,217 S * 2/2017 Ito D12/173
D782,381 S * 3/2017 Conway D12/196
D803,114 S * 11/2017 Ito D12/173
D804,373 S * 12/2017 Ito D12/173
D805,981 S * 12/2017 Conway D12/196
D862,319 S * 10/2019 Duncan D12/173
D862,320 S * 10/2019 Duncan D12/173
D862,321 S * 10/2019 Duncan D12/173
D862,322 S * 10/2019 Duncan D12/173
D862,323 S * 10/2019 Duncan D12/173
D862,324 S * 10/2019 Duncan D12/173
D863,172 S * 10/2019 Duncan et al.
D875,627 S * 2/2020 Duncan D12/184
D885,281 S * 5/2020 Duncan D12/196
D891,331 S * 7/2020 Dickman D12/173
D915,252 S * 4/2021 Duncan D12/173
D915,263 S * 4/2021 Duncan D12/196
D915,264 S * 4/2021 Duncan D12/196
D924,754 S * 7/2021 Duncan D12/173
D924,755 S * 7/2021 Duncan D12/173
D925,416 S * 7/2021 Duncan D12/173
D925,425 S * 7/2021 Duncan D12/196
D925,426 S * 7/2021 Duncan D12/196

OTHER PUBLICATIONS

- "T800," Kenworth Truck Company, 2002, 32-page brochure.
"T800," Kenworth Truck Company, 2003, 32-page brochure.
"T800," Kenworth Truck Company, 2005, 28-page brochure.
"T800," Kenworth Truck Company, 2009, 28-page brochure.
"T800B," Kenworth Truck Company, 1993, 8-page brochure.
Peterbilt Motors Company, "The Working Class," Sep. 1976, 6-page brochure.
"The World's Best," Kenworth Truck Company, 1992, 12-page brochure.
"W900," Kenworth Truck Company, 1996, 7-page brochure.
"W900," Kenworth Truck Company, 2002, 32-page brochure.
"W900," Kenworth Truck Company, 2005, 32-page brochure.
"W900," Kenworth Truck Company, 2009, 28-page brochure.
Kenworth Truck Company, "W900L AeroCab," 1994, 2-page brochure.
Kenworth Truck Company, "AeroCab," 1993, 6-page brochure.
"AeroCab," Kenworth Truck Company, as early as 1995, 3-page brochure.
"C500B," Kenworth Truck Company, as early as 1990, 4-page brochure.
Peterbilt Motors Company, "Class Pays, Medium Duty," Sep. 2000, 12-page brochure.
"Class Pays, Truck Models," Peterbilt Motors Company, Mar. 2005, 24-page brochure.
"Class Pays," Peterbilt Motors Company, Nov. 1998, 10-page brochure.
Peterbilt Motors Company, "Class Pays," Sep. 1997, 10-page brochure.
"Class Pays, Construction Trucks," Peterbilt Motors Company, Nov. 2003, 16-page brochure.
"Kenworth Truck Models," Kenworth Truck Company, 2010, 16-page brochure.
Peterbilt Motors Company, "Model 330," Oct. 1997, 3-page brochure.
Peterbilt Motors Company, "Model 379," Apr. 2005, 2-page brochure.
Peterbilt Motors Company, "Model 379," Mar. 1996, 5-page brochure.
Peterbilt Motors Company, "Rest with Class," Apr. 1978, 4-page brochure.
"T170 Class 5," Kenworth Truck Company, 2008, 4-page brochure.
"T270 Class 6 and T370 Class 7," Kenworth Truck Company, 2008, 6-page brochure.

(56)

References Cited

OTHER PUBLICATIONS

“T270 Class 6 and T370 Class 7,” Kenworth Truck Company, 2009, 6-page brochure.
“T270 Class 6 and T370 Class 7 Hybrid,” Kenworth Truck Company, 2009, 6-page brochure.
“T680,” Kenworth Truck Company, 2013, 34-page brochure.
“T680,” Kenworth Truck Company, 2016, 34-page brochure.
“T880,” Kenworth Truck Company, 2017, 32-page brochure.
“Model 579,” Peterbilt Motors Company, Oct. 2013, 13-page brochure.
“Medium Duty,” Peterbilt Motors Company, 2013, 9-page brochure.
“On-Highway,” Peterbilt Motors Company, 2013, 13-page brochure.
“Vocational,” Peterbilt Motors Company, 2013, 11-page brochure.
“T440,” Kenworth Truck Company, 2010, 6-page brochure.
“T470,” Kenworth Truck Company, 2010, 6-page brochure.
“T470H,” Kenworth Truck Company, 2009, 2-page brochure.
“Model 220,” Peterbilt Motors Company, 2019, 2-page brochure.
“220EV,” Peterbilt Motors Company, 2020, 5-page brochure.
“Model 337,” Peterbilt Motors Company, 2020, 2-page brochure.
“Model 389,” Peterbilt Motors Company, 2019, 2-page brochure.

“Model 348,” Peterbilt Motors Company, 2019, 2-page brochure.
“Model 520,” Peterbilt Motors Company, 2019, 2-page brochure.
“Model 567,” Peterbilt Motors Company, 2020, 16-page brochure.
“567 Heritage,” Peterbilt Motors Company, 2017, 2-page brochure.
“Model 579,” Peterbilt Motors Company, 2019, 28-page brochure.
“C500,” Kenworth Truck Company, 2012, 2-page brochure.
“T680,” Kenworth Truck Company, 2019, 40-page brochure.
“T800,” Kenworth Truck Company, 2012, 28-page brochure.
“T440/T470,” Kenworth Truck Company, 2015, 8-page brochure.
“K270E/K370E,” Kenworth Truck Company, 2020, 4-page brochure.
“T270/T370,” Kenworth Truck Company, 2019, 16-page brochure.
“K270/K370,” Kenworth Truck Company, 2014, 12-page brochure.
“W990,” Kenworth Truck Company, 2018, 32-page brochure.
“T880,” Kenworth Truck Company, 2019, 36-page brochure.
“Model 367,” Peterbilt Motors Company, <https://www.peterbilt.com/trucks/vocational/model-367>, retrieved Nov. 20, 2020, 12 pages.
“Model 365,” Peterbilt Motors Company, <https://www.peterbilt.com/trucks/vocational/model-365>, retrieved Nov. 20, 2020, 11 pages.
“Model 325,” Peterbilt Motors Company, <https://www.peterbilt.com/trucks/medium-duty/model-325>, retrieved Nov. 20, 2020, 12 pages.

* cited by examiner

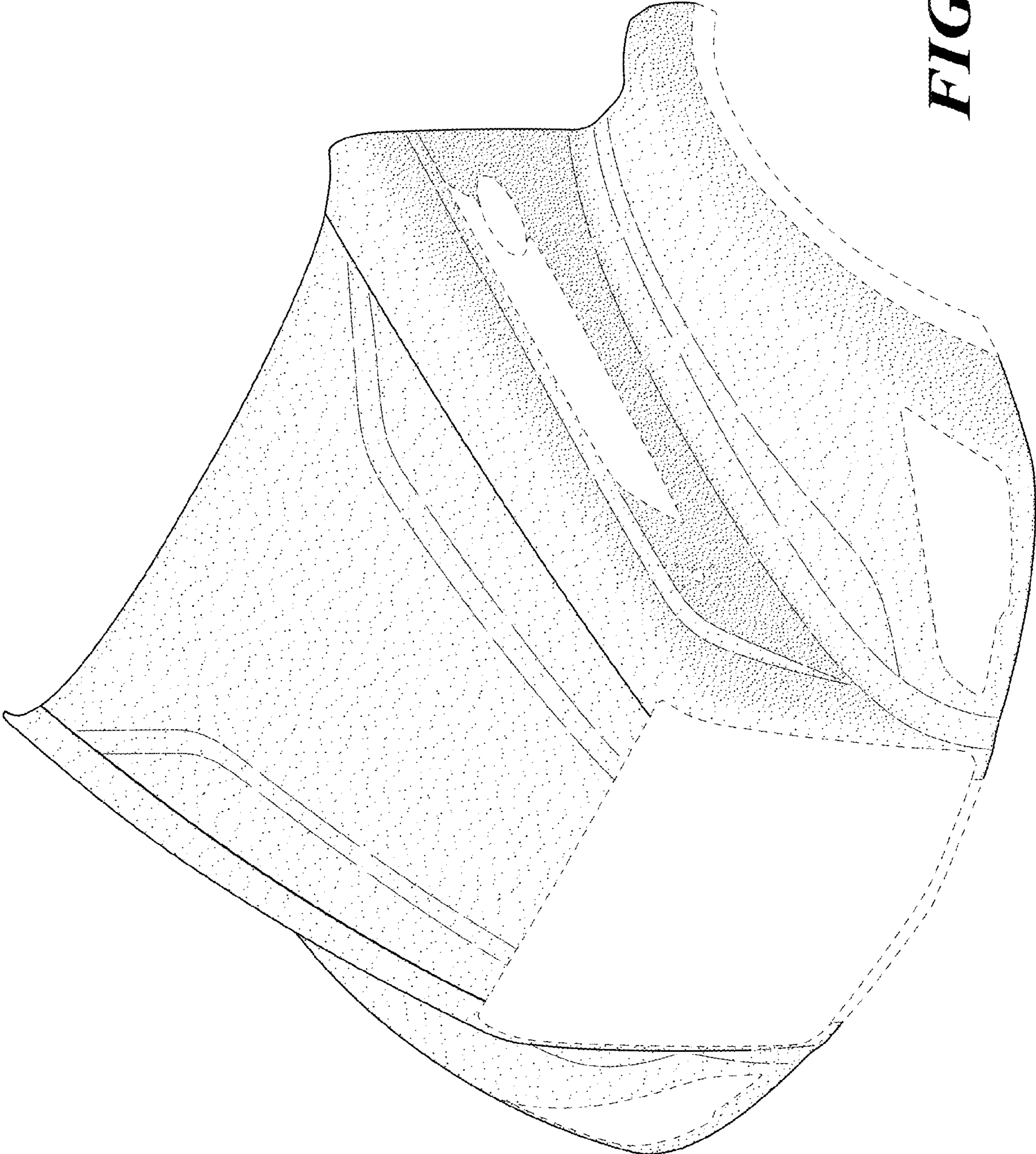


FIG. 1

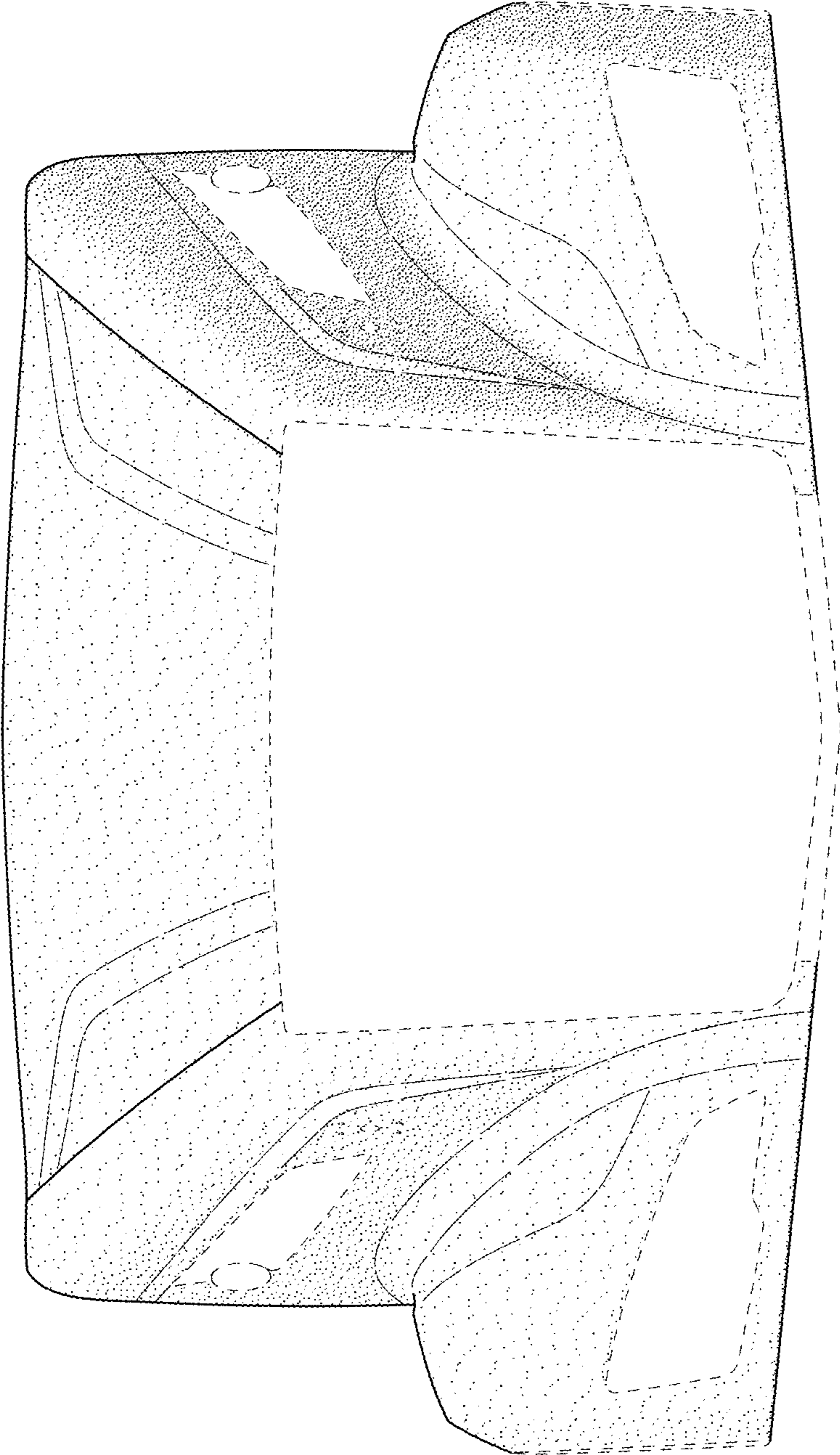


FIG. 2

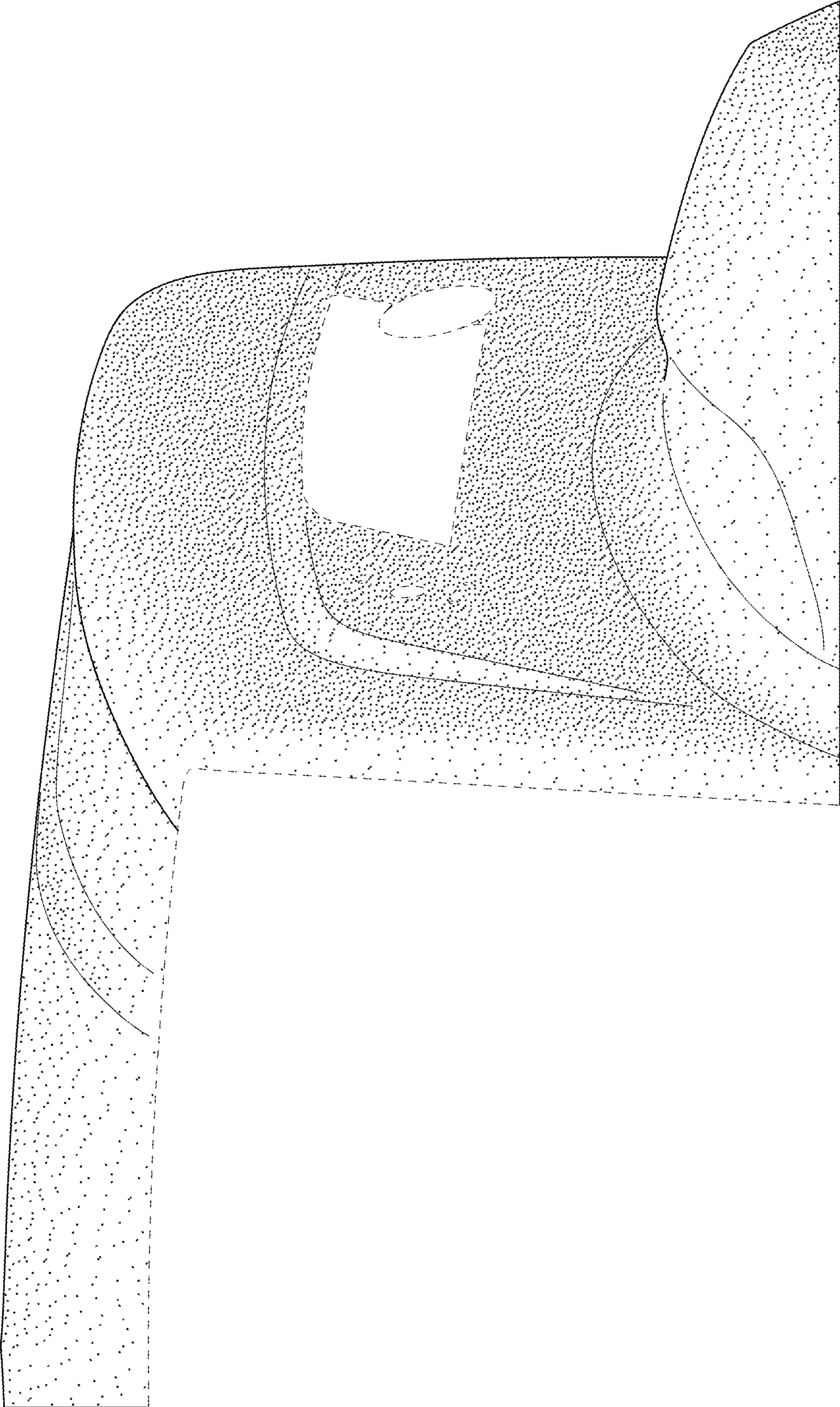


FIG. 3

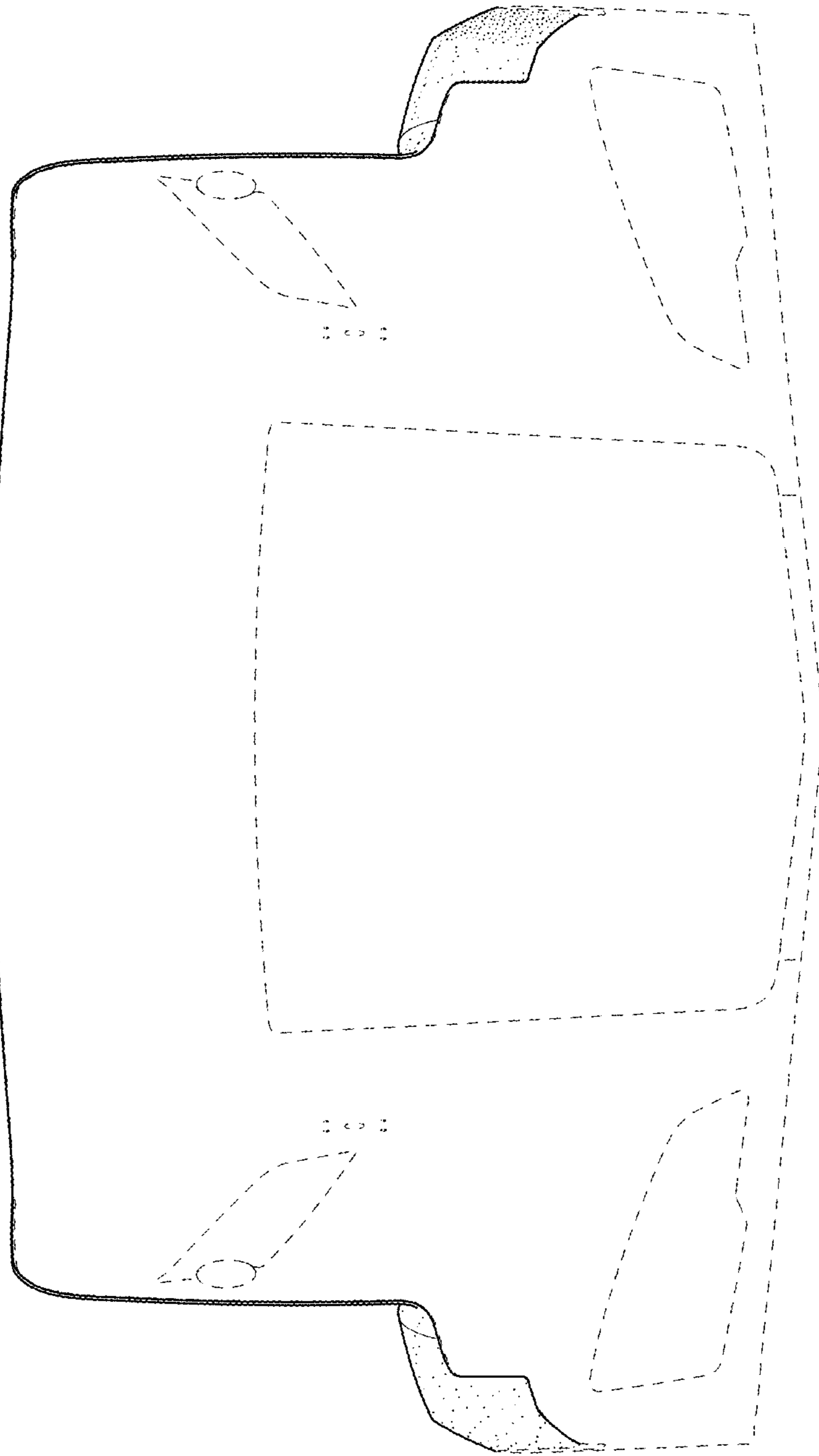


FIG. 4

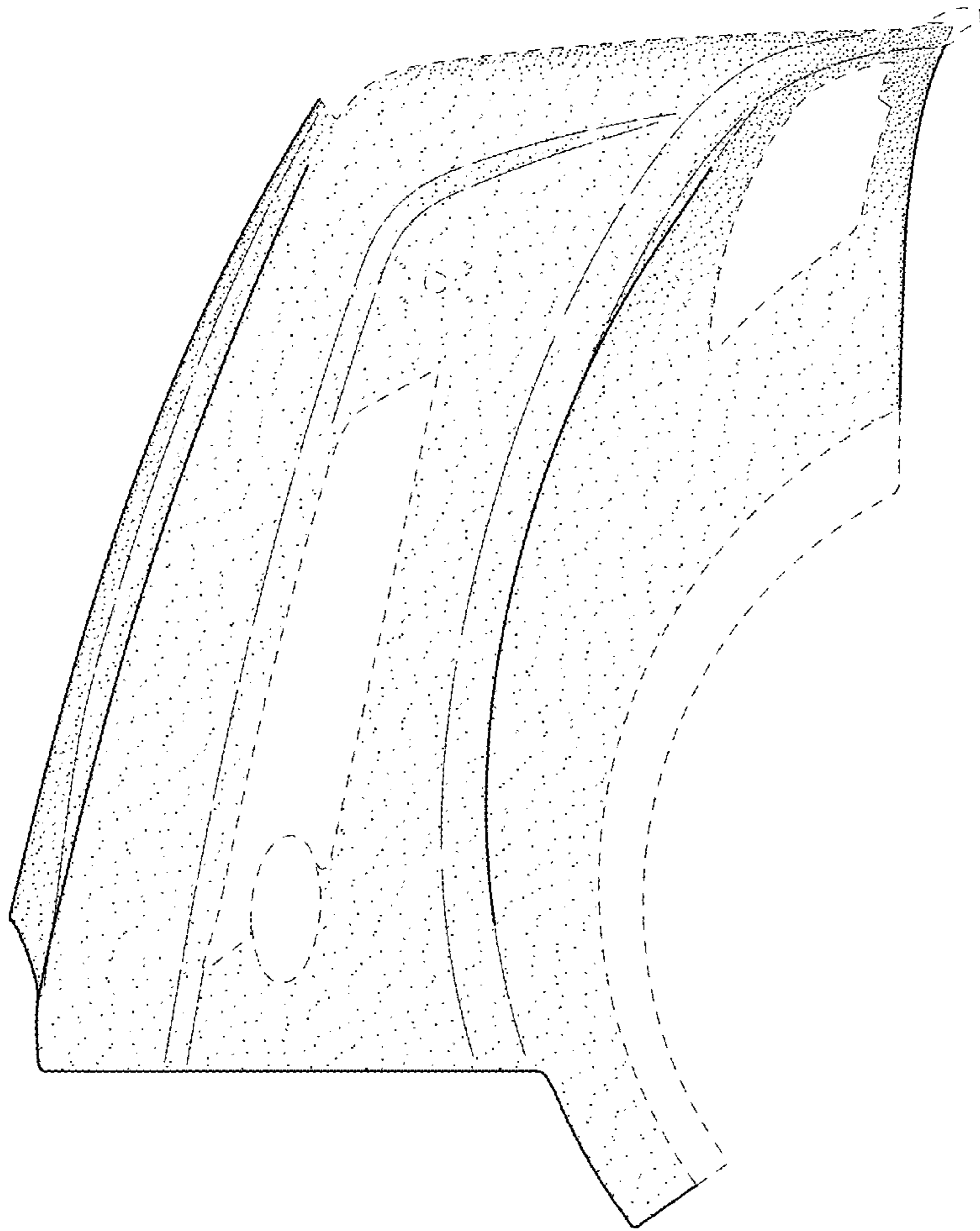


FIG. 5

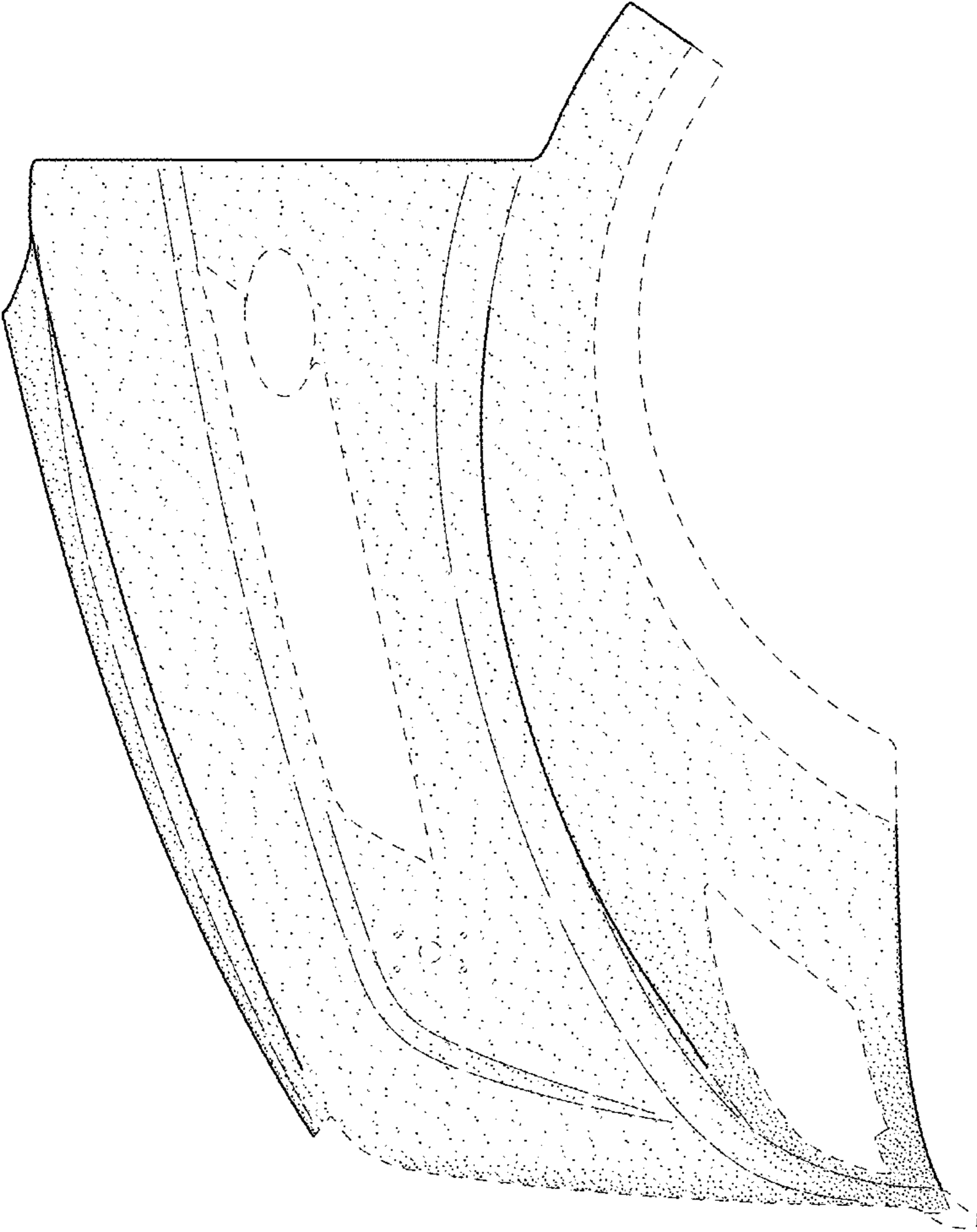


FIG. 6

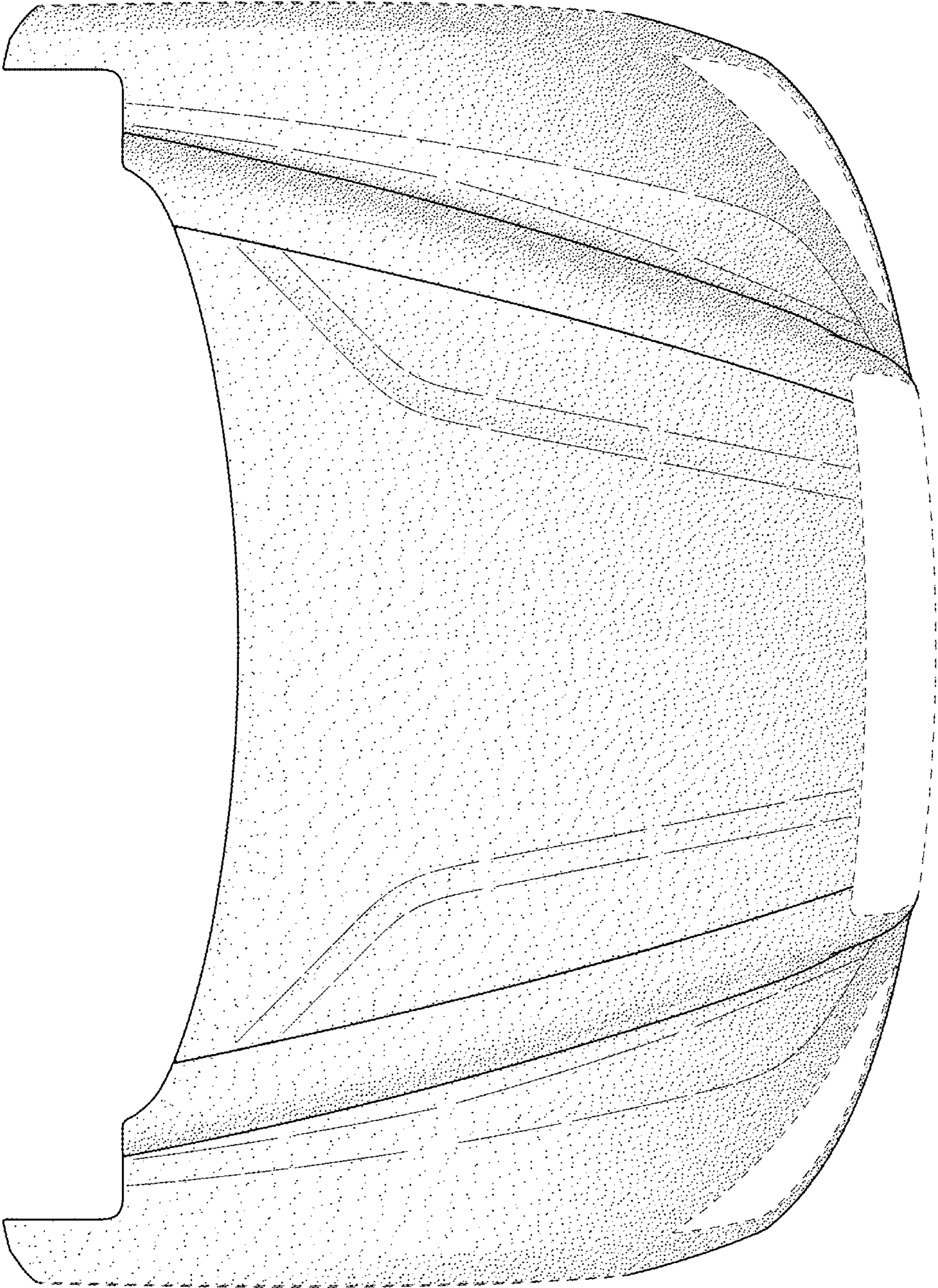


FIG. 7

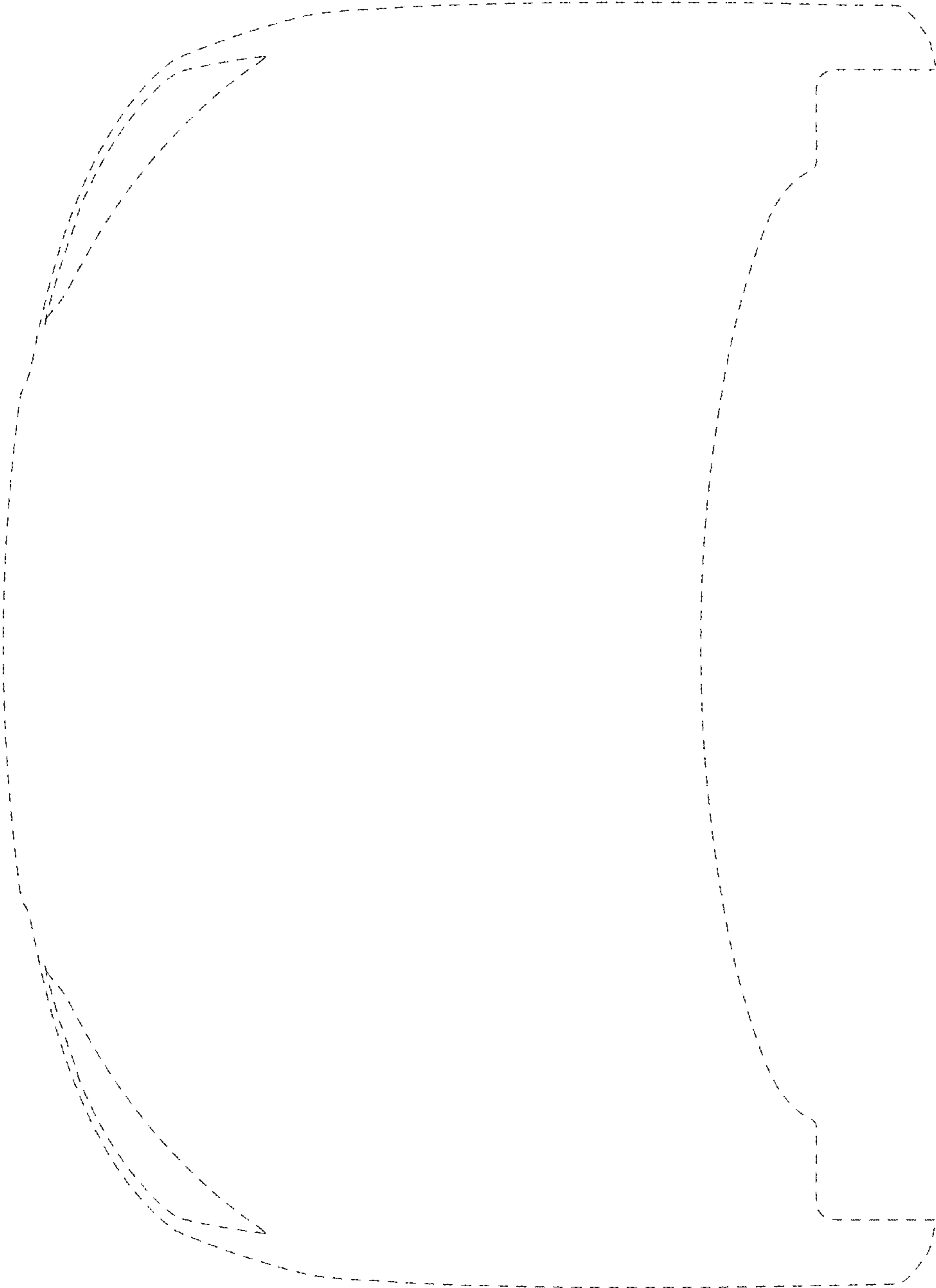


FIG. 8