



US00D960787S

(12) **United States Design Patent** (10) **Patent No.:** **US D960,787 S**
Kaoud et al. (45) **Date of Patent:** **** Aug. 16, 2022**

- (54) **VEHICLE HOOD**
- (71) Applicant: **Ford Global Technologies, LLC**,
Dearborn, MI (US)
- (72) Inventors: **Ehab N. Kaoud**, Livonia, MI (US);
William K. Moore, West Bloomfield,
MI (US); **Marc Cammeyer**, Berkley,
MI (US)
- (73) Assignee: **Ford Global Technologies, LLC**,
Dearborn, MI (US)
- (**) Term: **15 Years**
- (21) Appl. No.: **29/723,996**
- (22) Filed: **Feb. 12, 2020**
- (51) **LOC (13) Cl.** **12-08**
- (52) **U.S. Cl.**
USPC **D12/173**
- (58) **Field of Classification Search**
USPC D12/86, 91, 93, 163, 164, 165, 166, 167,
D12/169, 171, 172, 173, 190, 216
CPC B60R 9/06; B60R 19/02; B60R 19/04;
B60R 19/18; B60R 19/44; B60R 19/48;
B62D 35/02; B62D 39/00; B62D 65/16;
B62D 21/12; B29C 45/16
See application file for complete search history.

D904,251 S *	12/2020	Wraith	D12/173
D906,910 S *	1/2021	Simm	D12/173
D907,545 S *	1/2021	Chen	D12/173
D908,563 S *	1/2021	Zhao	D12/173
D915,251 S *	4/2021	Langhals	D12/173
D924,753 S *	7/2021	Bernardi	D12/173
D924,755 S *	7/2021	Duncan	D12/173
D934,763 S *	11/2021	Bischoff	D12/173
D936,536 S *	11/2021	Kaoud	D12/173
D937,157 S *	11/2021	Wraith	D12/173

OTHER PUBLICATIONS

Vehicle Hoods (Design—© Questel) orbit.com. [Online PDF compilation of references] 46 pgs. Print Dates Range Mar. 24, 2021-Oct. 23, 2019 [Retrieved Dec. 14, 2021].*

(Continued)

Primary Examiner — Manpreet S Matharu
Assistant Examiner — Suzanne E Tisdell

(57) **CLAIM**

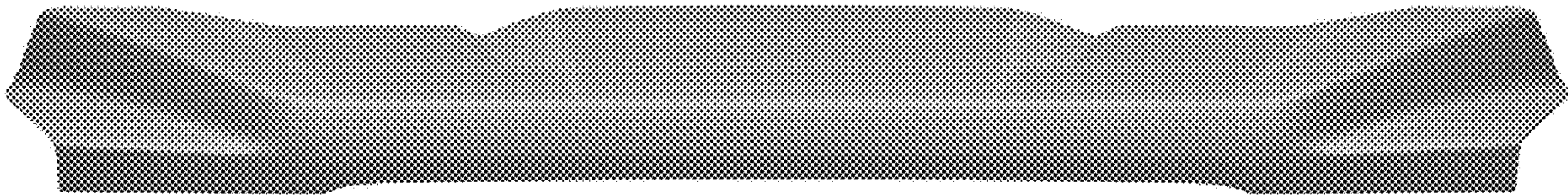
The ornamental design for a vehicle hood, as shown and described.

DESCRIPTION

FIG. 1 is a front elevational view of a vehicle hood showing our new design;
FIG. 2 is a left side elevational view thereof;
FIG. 3 is a right side elevational view thereof;
FIG. 4 is a top plan view thereof;
FIG. 5 is a bottom plan view thereof;
FIG. 6 is a top, front, and left side perspective view thereof; and,
FIG. 7 is a top, rear and left side perspective view thereof. Areas shown in half-tone shading and surrounded by broken lines show portions of the vehicle hood that form no part of the claimed design.

1 Claim, 7 Drawing Sheets

- (56) **References Cited**
U.S. PATENT DOCUMENTS
D560,576 S 1/2008 Bucher
D600,608 S 9/2009 Golden
D605,991 S 12/2009 Williams
D721,307 S 1/2015 Platto
D902,807 S * 11/2020 Ruiz D12/173
D902,809 S * 11/2020 Hunwick D12/173
D903,555 S * 12/2020 Choi D12/173



(56)

References Cited

OTHER PUBLICATIONS

Vijayenthiran, Viknesh. "2021 Ford F-150 Spy Shots." Feb. 21, 2020. Motor Authority. https://www.motorauthority.com/news/1033072_2021-ford-f-150-pickup-spy-shots.*

Hoffman, Connor. "Spy Photos Give an Even Closer Look at the 2021 Ford F-150." Feb. 21, 2020. Car and Driver, <https://www.caranddriver.com/news/a31041037/2021-ford-f-150-spied/>.*

Smith, Christopher. "2021 Ford F-150 New Front End Spied Completely Uncovered." Feb. 21, 2020. Motor 1. <https://www.motor1.com/news/399836/2021-ford-f-150-face-revealed/>.*

Andrew Wendler, The 2021 Ford F-150, Spied Testing, Looks Pretty Evolutionary, May 8, 2019 <https://www.caranddriver.com/news/a27409108/2021-ford-f-150-pickup-spied/>.

* cited by examiner

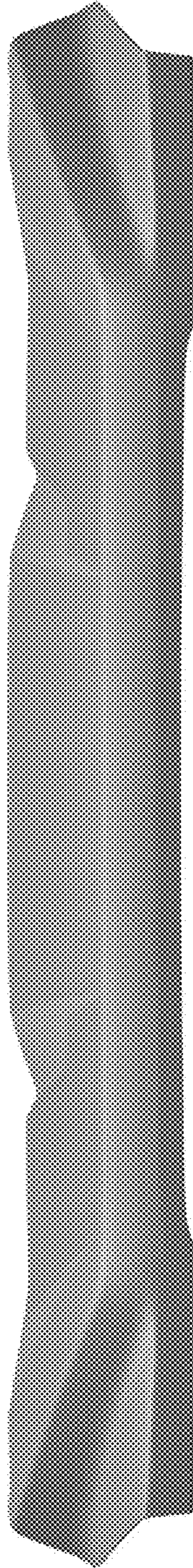


Fig. 1

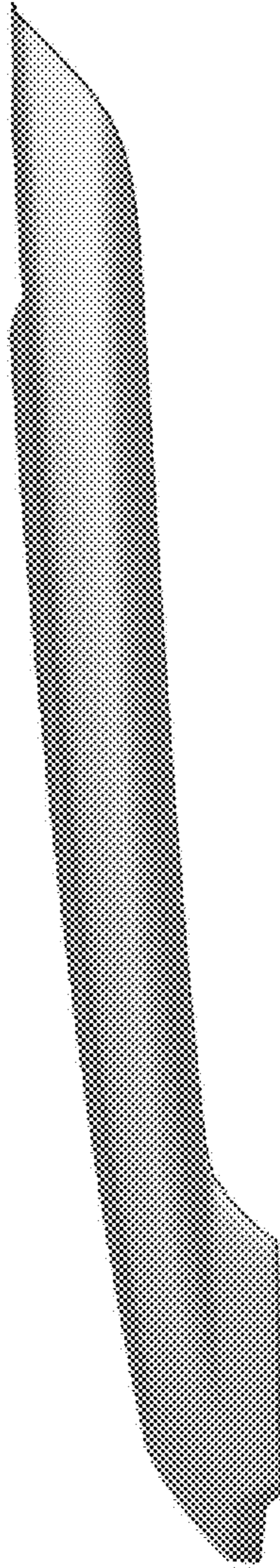


Fig. 2

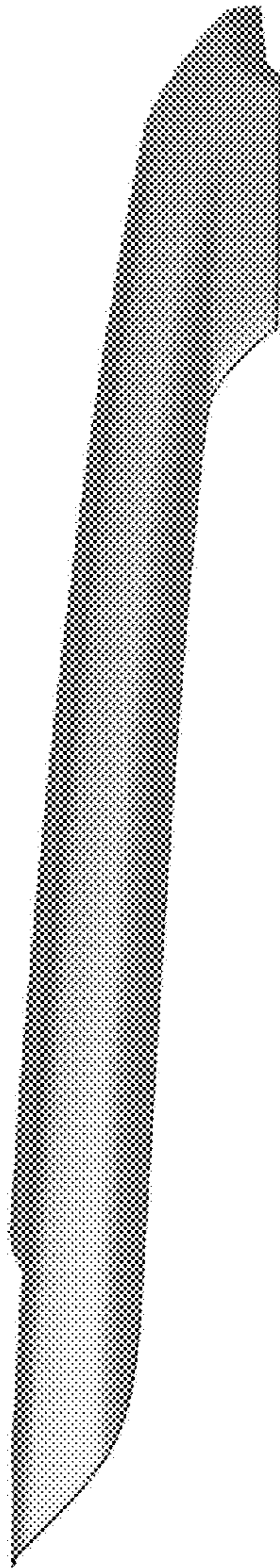


Fig. 3

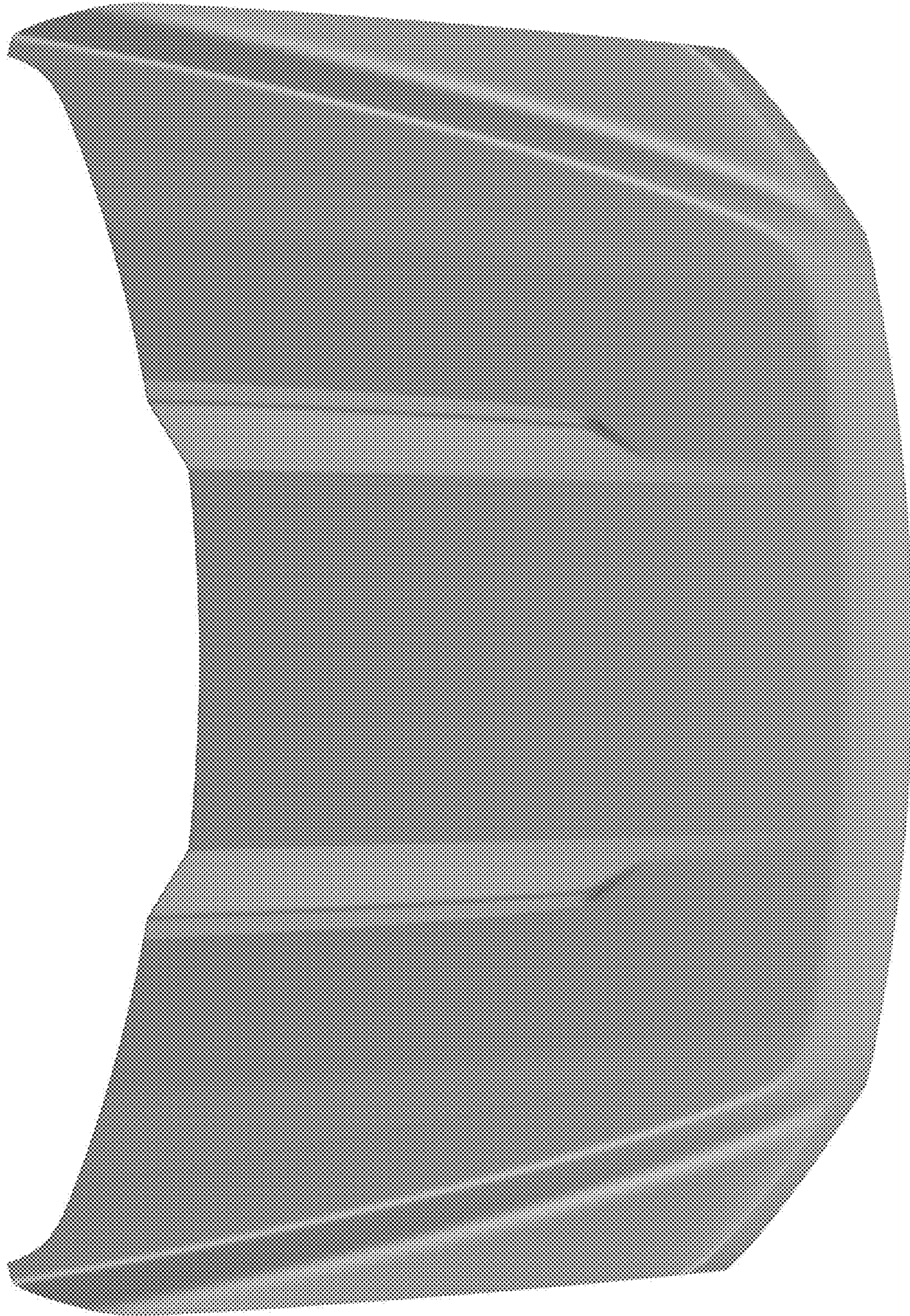


Fig.4

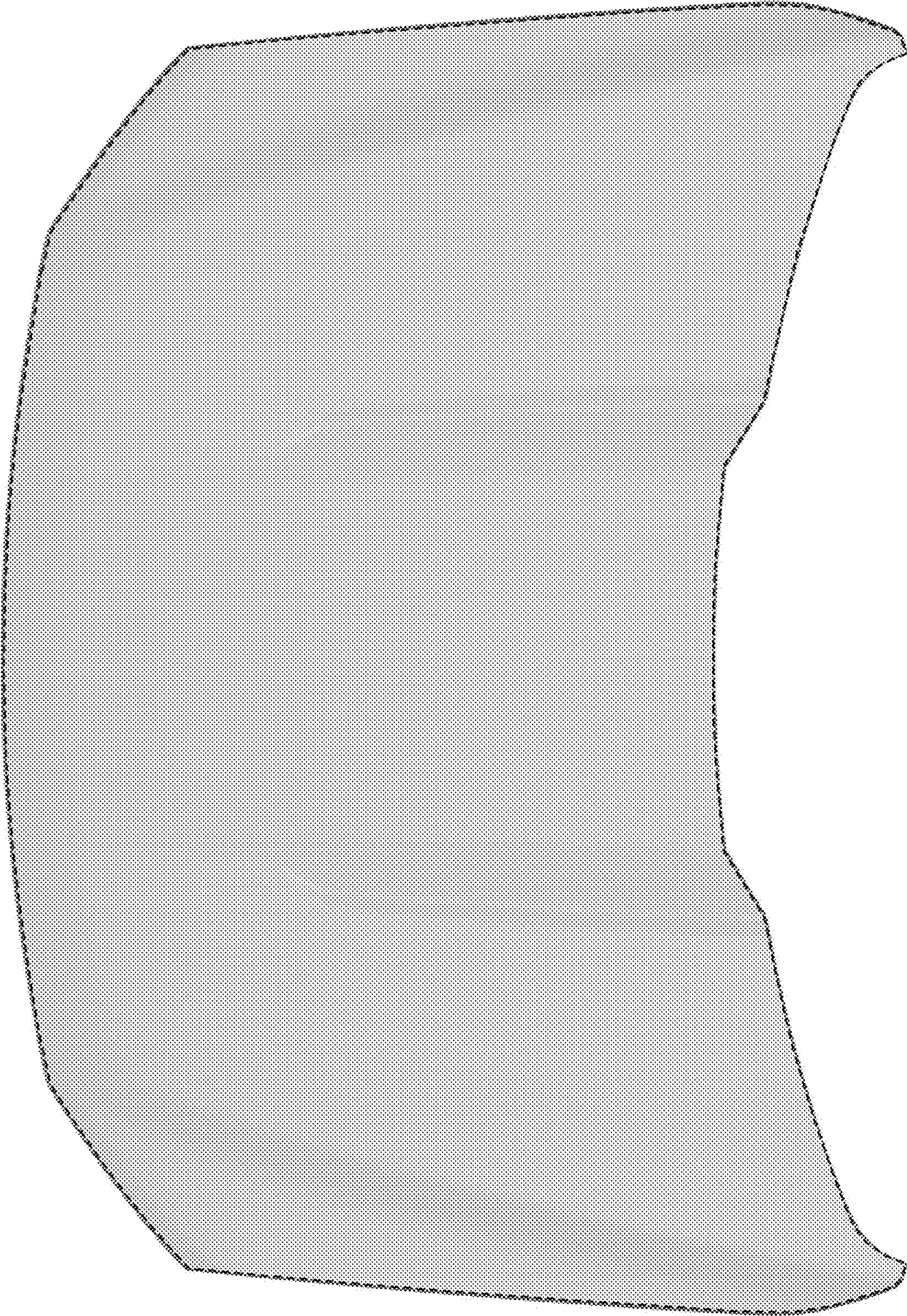


Fig. 5

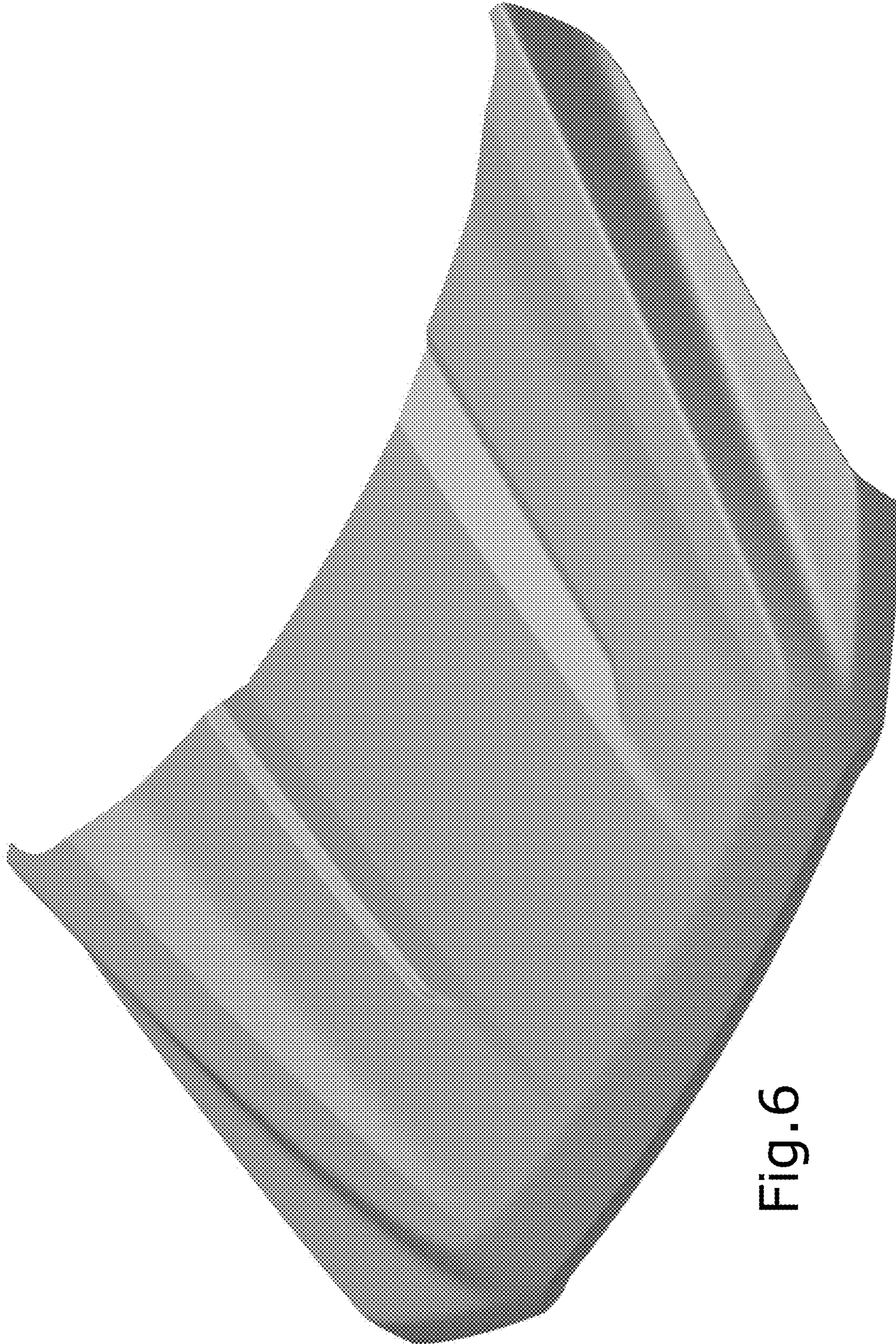


Fig. 6

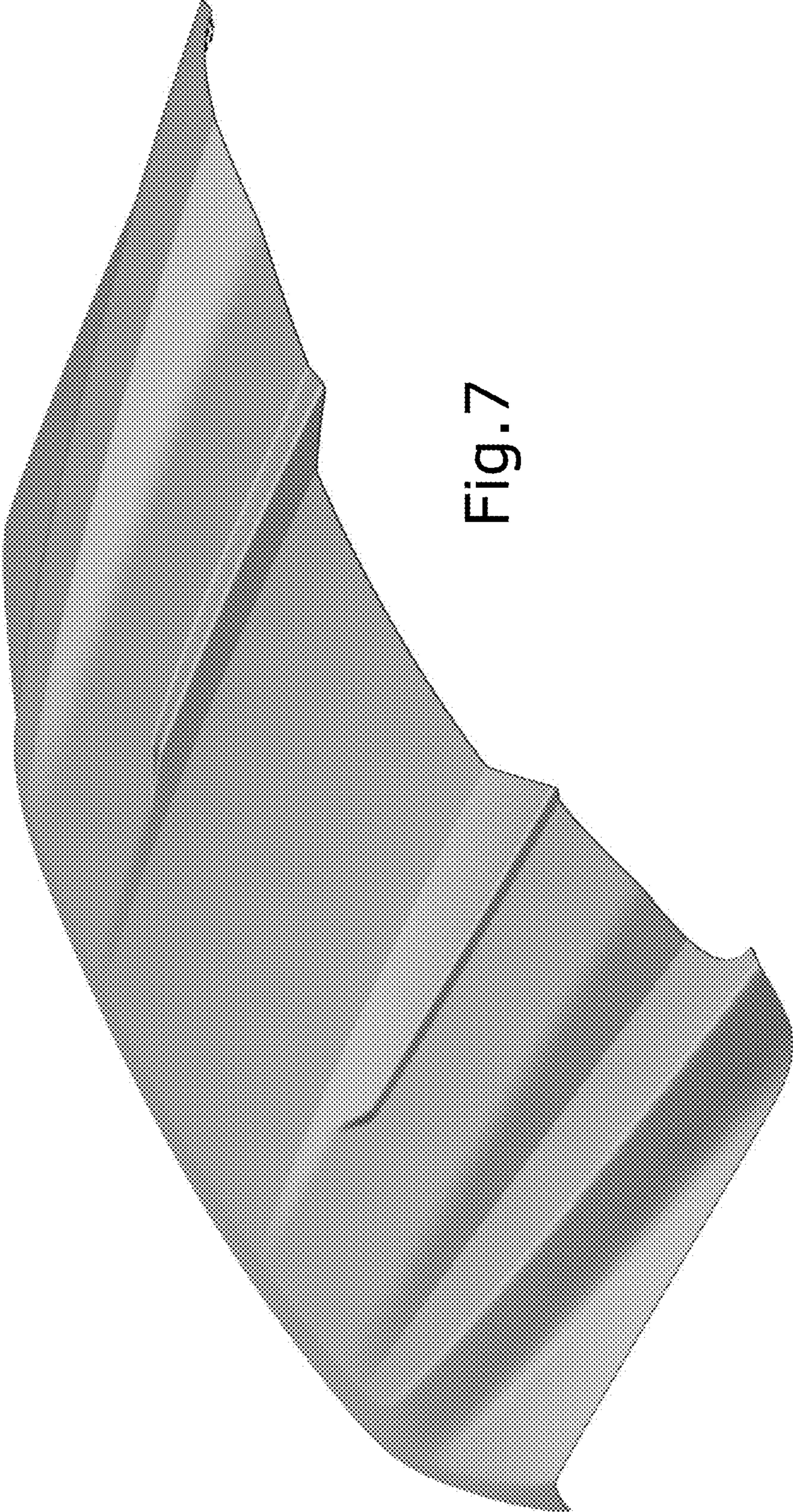


Fig. 7