

US00D960777S

(12) **United States Design Patent** (10) **Patent No.:** **US D960,777 S**
Yue (45) **Date of Patent:** **** Aug. 16, 2022**

(54) **VEHICLE GRILLE**
(71) Applicant: **Danyang Spedking Auto Parts Manufacturing Co., Ltd., Jiangsu (CN)**
(72) Inventor: **GuangLiang Yue, Jiangsu (CN)**
(**) Term: **15 Years**
(21) Appl. No.: **29/803,282**
(22) Filed: **Aug. 11, 2021**
(51) **LOC (13) Cl.** **12-16**
(52) **U.S. Cl.**
USPC **D12/163**
(58) **Field of Classification Search**
USPC D12/169, 196, 86, 90-92, 163, 190, 98,
D12/164; 293/102, 113, 115, 117, 120,
293/193.11; 296/180.1, 180.2; 180/68.1,
180/68.6
CPC B60R 19/52; B60K 11/08; B62D 25/08;
B62B 9/16
See application file for complete search history.

D863,139 S * 10/2019 Hoste D12/163
D871,979 S 1/2020 Zheng
D876,997 S * 3/2020 Zeng D12/163
D883,150 S * 5/2020 Li D12/163
D886,691 S 6/2020 Zhang
D888,622 S * 6/2020 Xu D12/163
D891,314 S * 7/2020 Shao D12/163
D891,316 S * 7/2020 Shao D12/163
D892,001 S * 8/2020 Shao D12/163
D898,631 S * 10/2020 Shao D12/163
D920,186 S * 5/2021 Liu D12/163

(Continued)

Primary Examiner — Melody N Brown

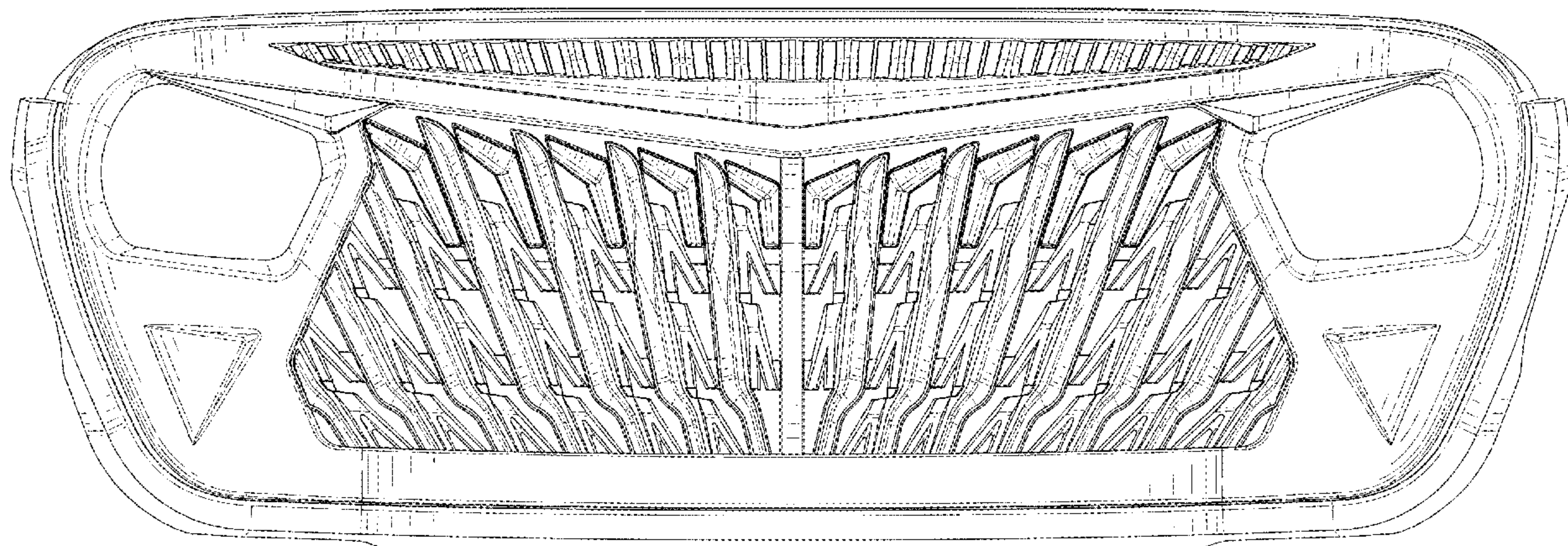
(57) **CLAIM**

The ornamental design for a vehicle grille, as shown and described.

DESCRIPTION

FIG. 1 is a top, front and left side perspective view of a vehicle grille showing my new design;
FIG. 2 is a rear, bottom and left side perspective view thereof;
FIG. 3 is a front elevation view thereof;
FIG. 4 is a rear elevation view thereof;
FIG. 5 is a left side elevation view thereof;
FIG. 6 is a right side elevation view thereof;
FIG. 7 is a top plan view thereof;
FIG. 8 is a bottom plan view thereof;
FIG. 9 is an enlarged front perspective view of a portion of details taken from indicated circled area 9 in FIG. 1; and,
FIG. 10 is an enlarged rear perspective view of a portion of details taken from indicated circled area 10 in FIG. 2.
The broken lines shown in FIGS. 2, 4 and 10 illustrate portions of the vehicle grille that form no part of the claimed design. The dash dot dash lines in FIGS. 1, 2, 9 and 10 are for the purpose of depicting the boundary lines of the enlarged views and form no part of the claimed design.

1 Claim, 10 Drawing Sheets



(56)

References Cited

U.S. PATENT DOCUMENTS

D920,187 S * 5/2021 Liu D12/163
D940,604 S * 1/2022 Shao D12/163

* cited by examiner

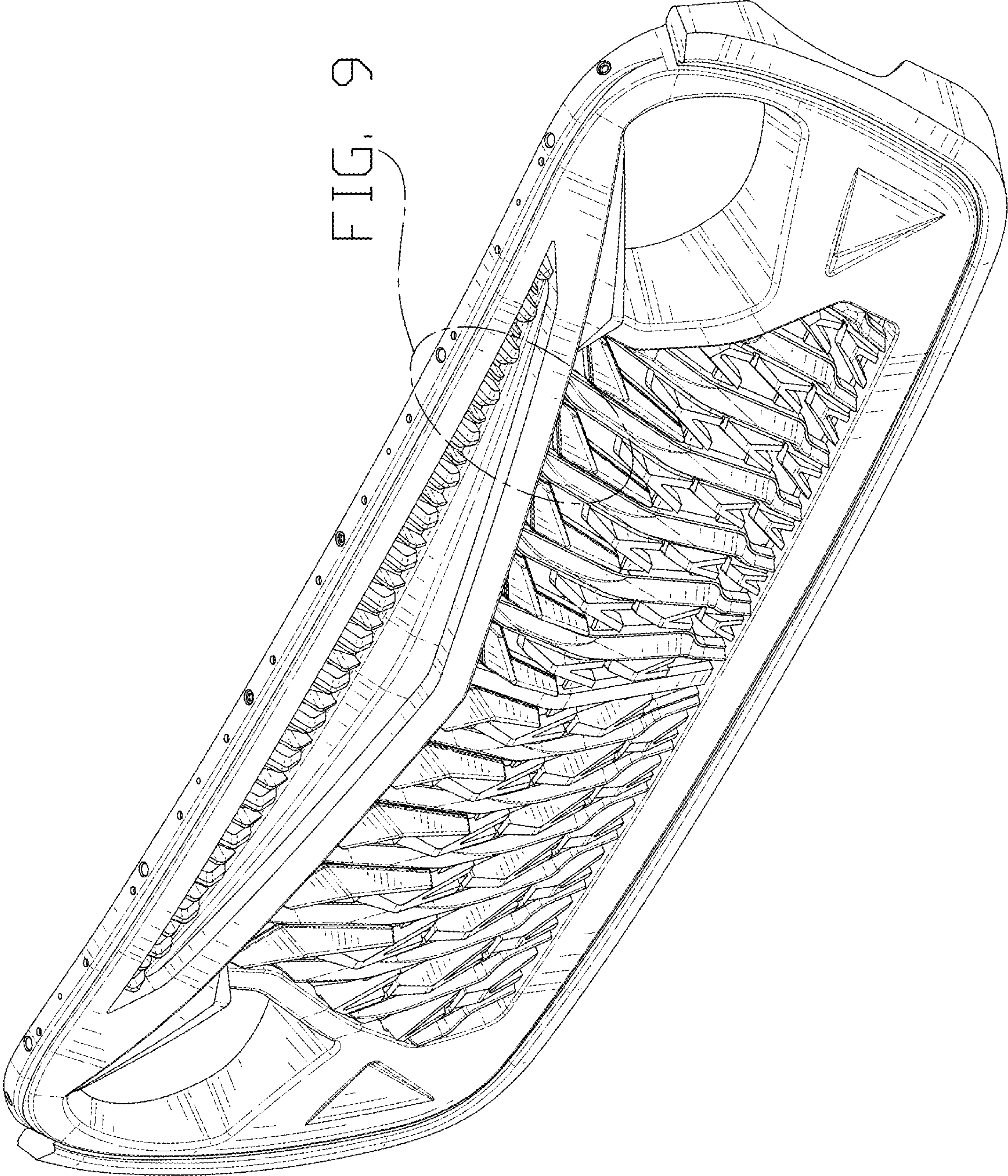


FIG. 9

FIG. 1

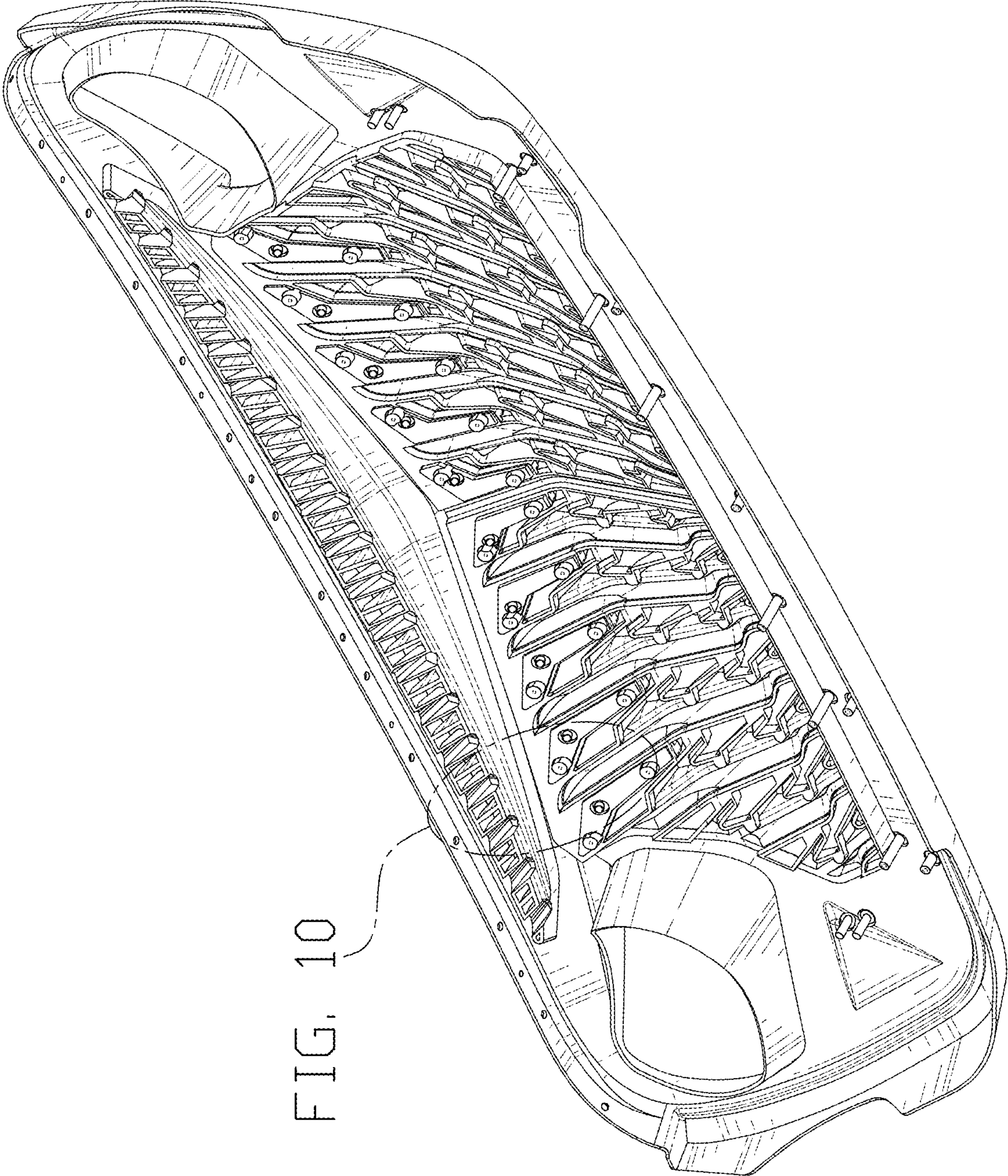


FIG. 2

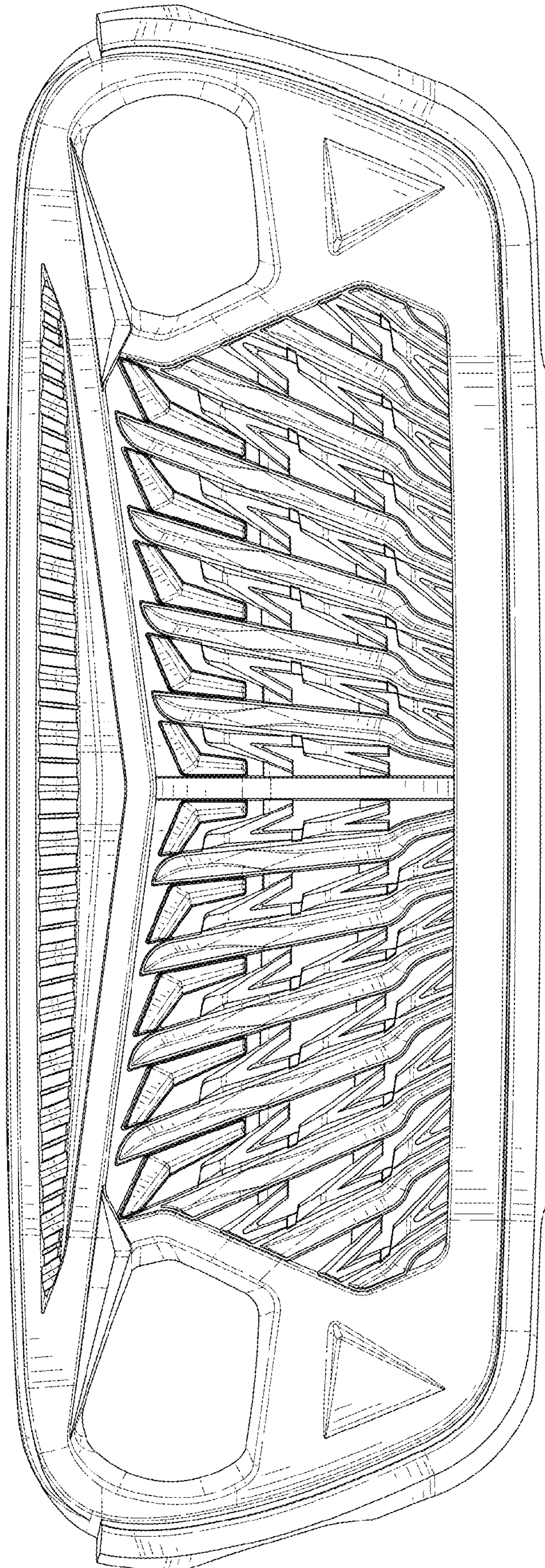


FIG. 3

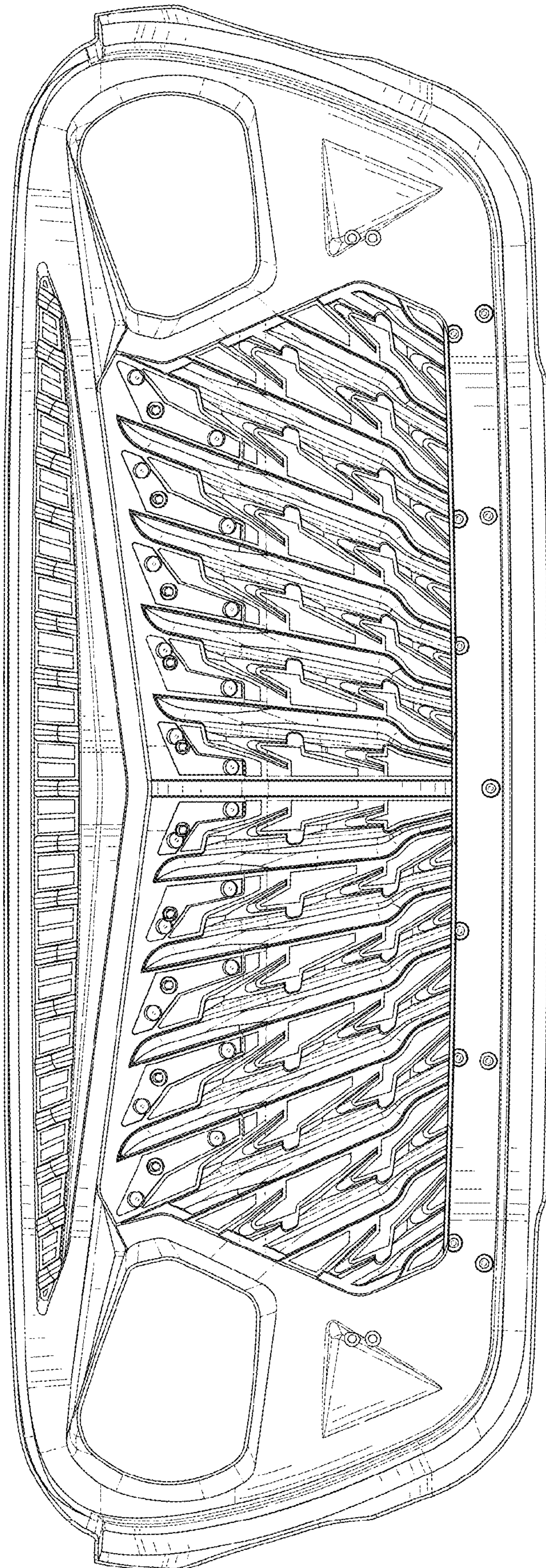


FIG. 4

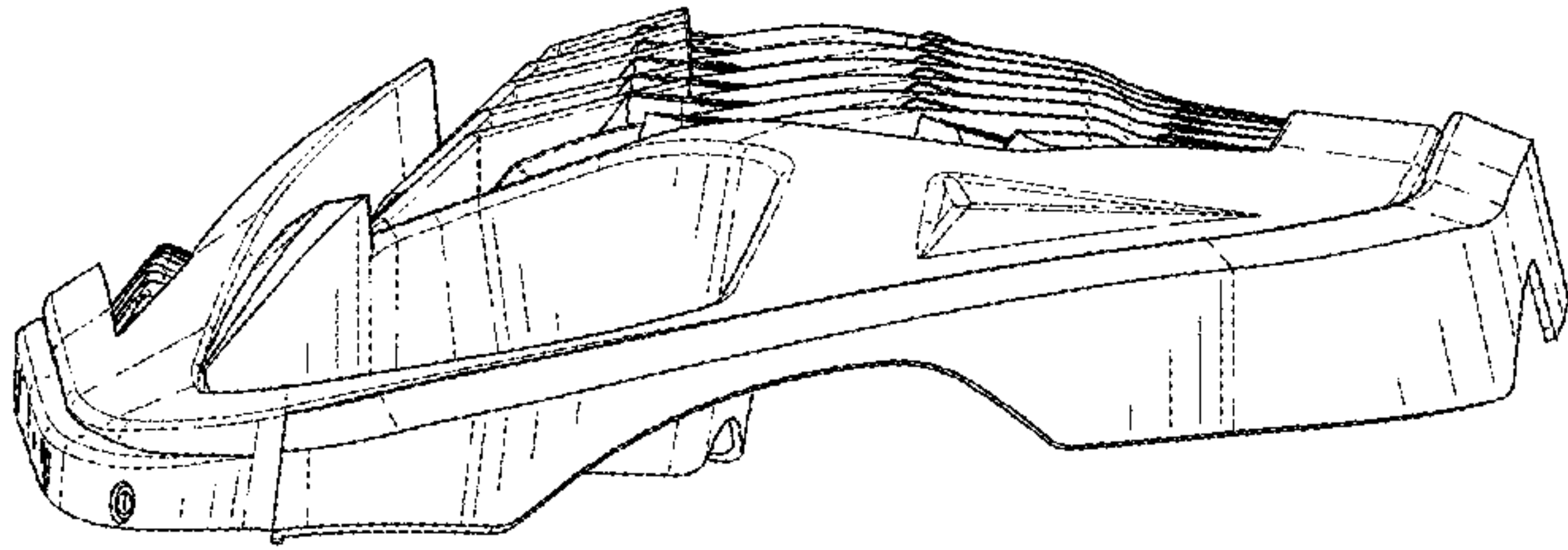


FIG. 5

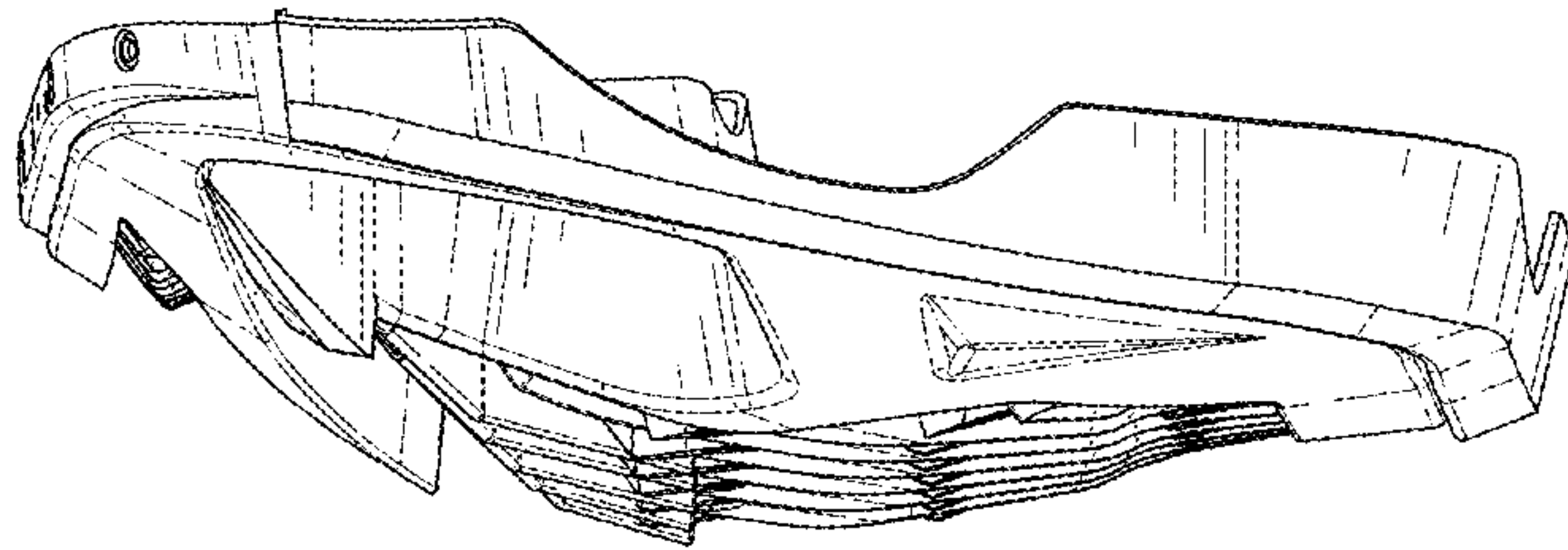


FIG. 6

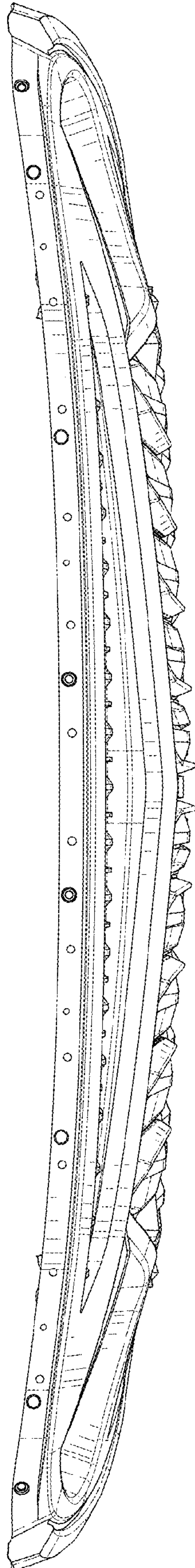


FIG. 7

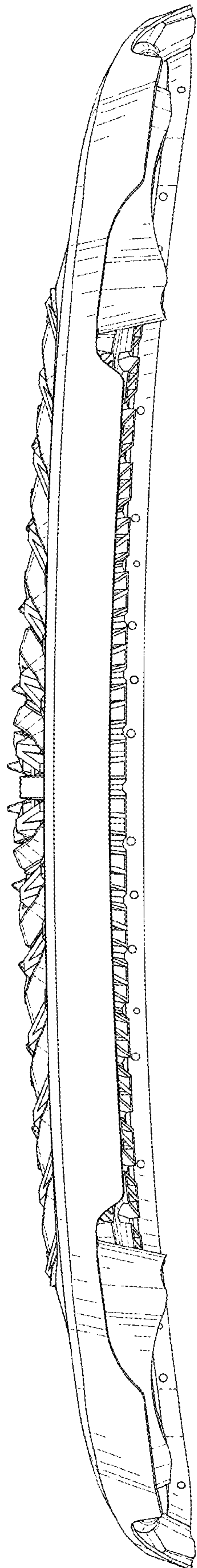


FIG. 8

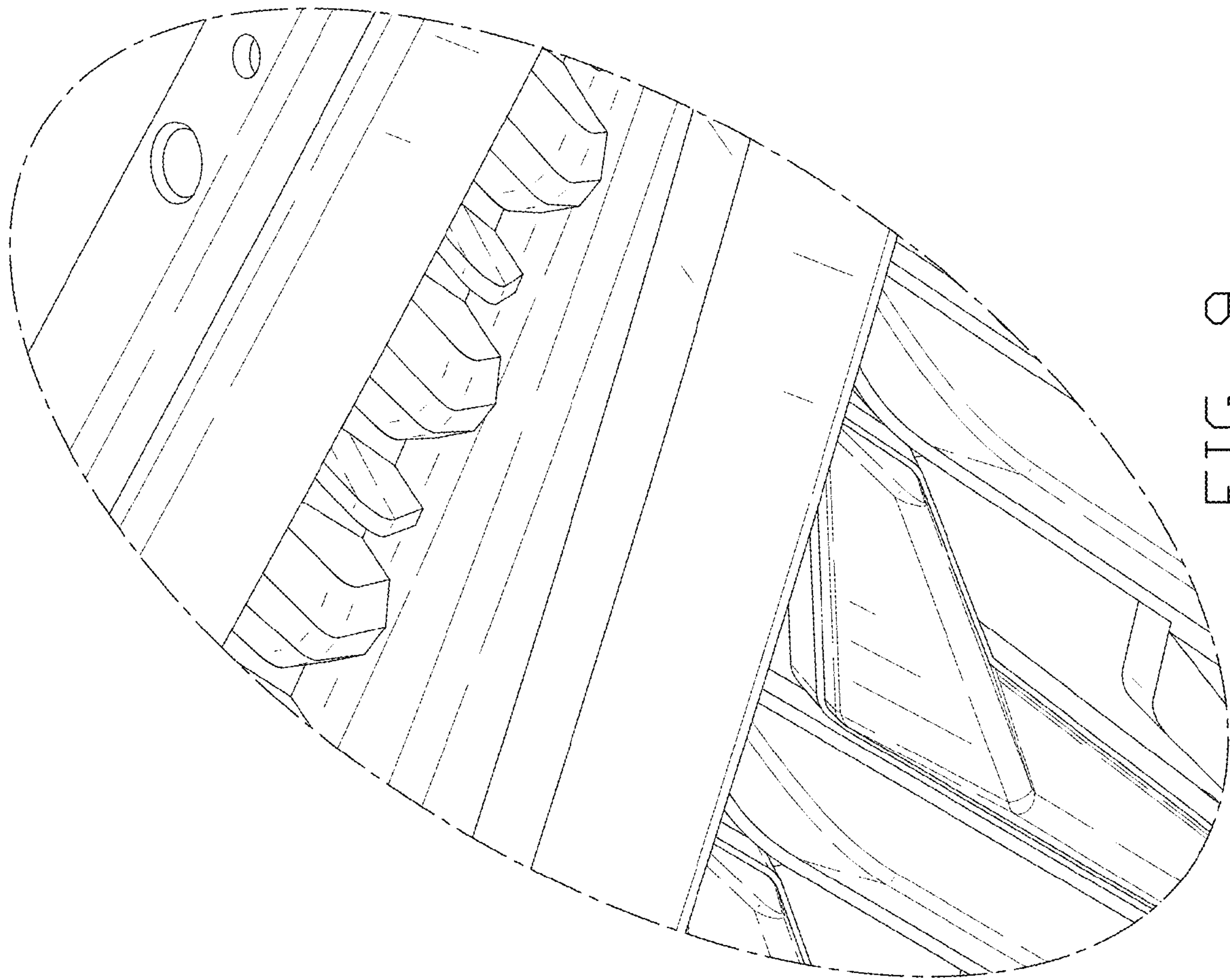


FIG. 9

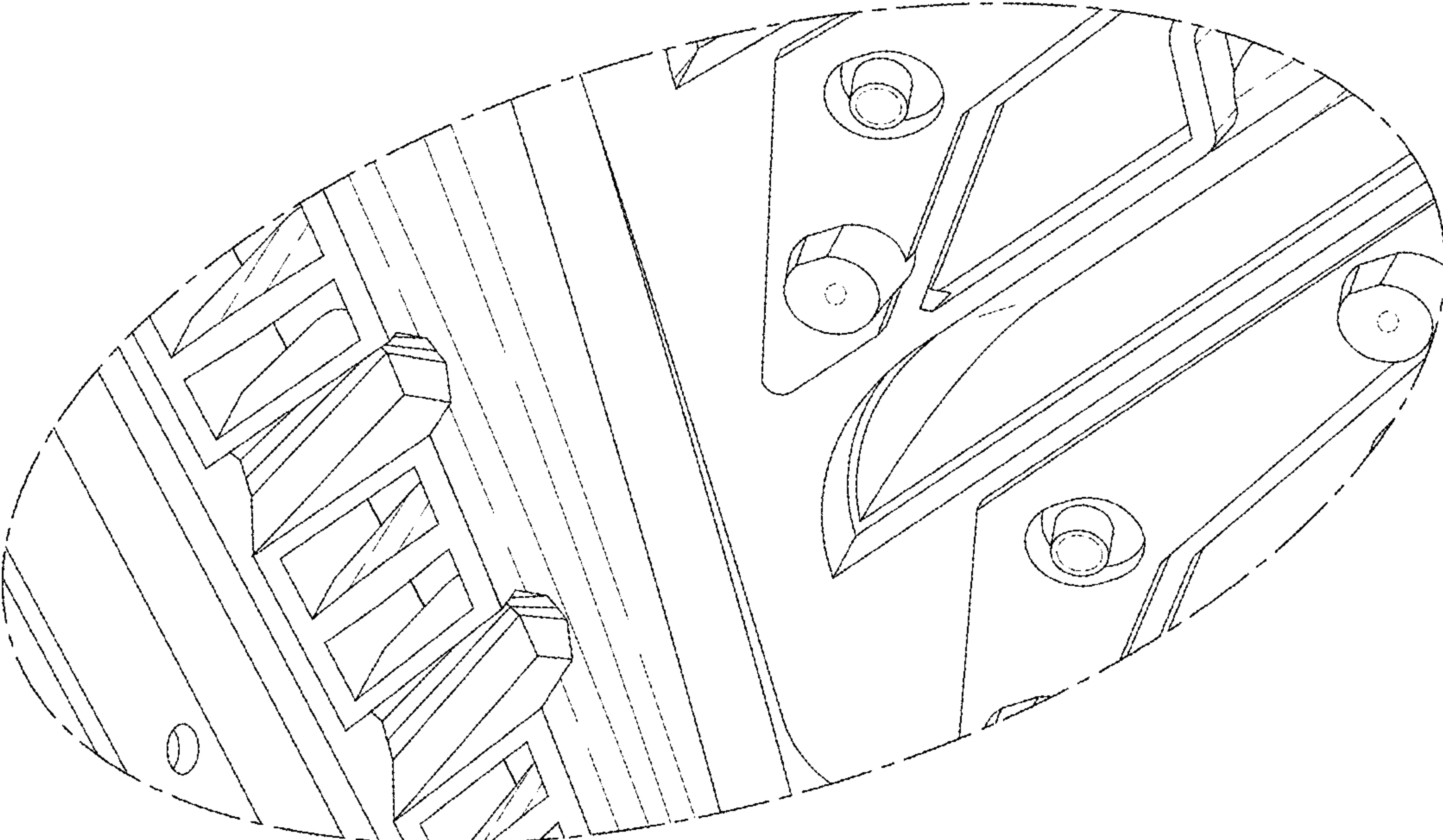


FIG. 10