



US00D960776S

(12) **United States Design Patent** (10) **Patent No.:** **US D960,776 S**
Yue (45) **Date of Patent:** **** Aug. 16, 2022**

(54) **VEHICLE GRILLE**
(71) Applicant: **Danyang Spedking Auto Parts Manufacturing Co., Ltd., Jiangsu (CN)**
(72) Inventor: **GuangLiang Yue, Jiangsu (CN)**
(**) Term: **15 Years**
(21) Appl. No.: **29/802,213**

D863,139 S * 10/2019 Hoste D12/163
D871,979 S 1/2020 Zheng
D876,997 S * 3/2020 Zeng D12/163

(Continued)

Primary Examiner — Melody N Brown

(57) **CLAIM**

The ornamental design for a vehicle grille, as shown and described.

DESCRIPTION

(22) Filed: **Aug. 3, 2021**
(51) **LOC (13) Cl.** **12-16**
(52) **U.S. Cl.**
USPC **D12/163**
(58) **Field of Classification Search**
USPC D12/169, 196, 86, 90-92, 163, 190, 98,
D12/164; 293/102, 113, 115, 117, 120,
293/193.11; 296/180.1, 180.2; 180/68.1,
180/68.6
CPC B60R 19/52; B60K 11/08; B62D 25/08;
B62B 9/16
See application file for complete search history.

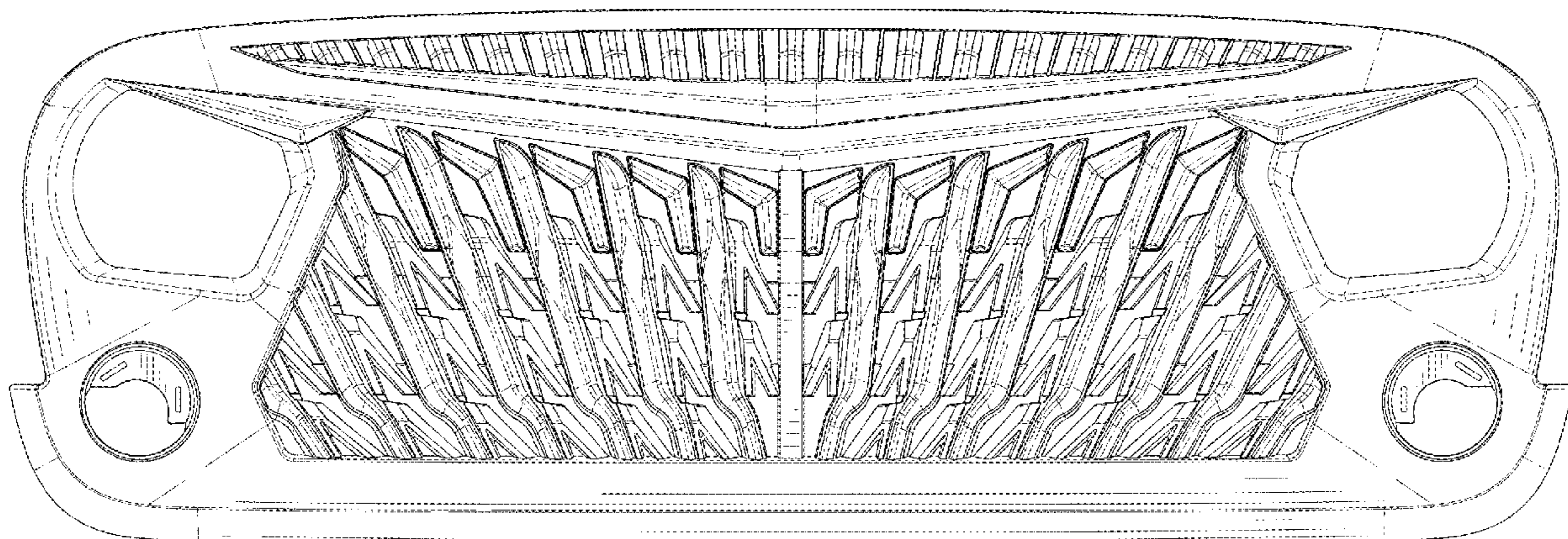
FIG. 1 is a top, front and left side perspective view of a vehicle grille showing my new design;
FIG. 2 is a rear, bottom and left side perspective view thereof;
FIG. 3 is a front elevation view thereof;
FIG. 4 is a rear elevation view thereof;
FIG. 5 is a left side elevation view thereof;
FIG. 6 is a right side elevation view thereof;
FIG. 7 is a top plan view thereof;
FIG. 8 is a bottom plan view thereof;
FIG. 9 is an enlarged front perspective view of a portion of details taken from indicated circled area 9 in FIG. 1; and,
FIG. 10 is an enlarged front perspective view of a portion of details taken from indicated circled area 10 in FIG. 1;
FIG. 11 is an enlarged front perspective view of a portion of details taken from indicated circled area 11 in FIG. 1;
FIG. 12 is an enlarged rear perspective view of a portion of details taken from indicated circled area 12 in FIG. 2; and,
FIG. 13 is an enlarged rear perspective view of a portion of details taken from indicated circled area 13 in FIG. 13 in FIG. 2.

The broken lines shown in FIGS. 1, 2, 7, 8 and 9 illustrate portions of the vehicle grille that form no part of the claimed design. The dash dot dash lines in FIGS. 1, 2, 9, 10, 11, 12 and 13 are for the purpose of depicting the boundary lines of the enlarged views and form no part of the claim.

1 Claim, 13 Drawing Sheets

(56) **References Cited**
U.S. PATENT DOCUMENTS

D554,563 S * 11/2007 Moushegian D12/91
D731,922 S * 6/2015 Beaven D12/91
D777,065 S * 1/2017 Patel D12/163
D800,226 S * 10/2017 Zeng D12/163
D807,797 S * 1/2018 Peat D12/163
D810,626 S * 2/2018 Macey D12/91
D811,270 S * 2/2018 Zhang D12/91
D814,354 S * 4/2018 Fisker D12/91
D815,571 S * 4/2018 Zhang D12/163
D827,495 S * 9/2018 Piscitelli D12/91
D828,223 S * 9/2018 Piscitelli D12/91
D840,881 S 2/2019 Zhang
D842,172 S * 3/2019 Chi D12/163
D842,175 S * 3/2019 Hartenstein D12/163
D847,025 S * 4/2019 Zavatski D12/91



(56)

References Cited

U.S. PATENT DOCUMENTS

| | | | |
|--------------|---------|------------|---------|
| D883,150 S * | 5/2020 | Li | D12/163 |
| D886,691 S | 6/2020 | Zhang | |
| D888,622 S * | 6/2020 | Xu | D12/163 |
| D891,314 S * | 7/2020 | Shao | D12/163 |
| D891,316 S * | 7/2020 | Shao | D12/163 |
| D892,001 S * | 8/2020 | Shao | D12/163 |
| D898,631 S * | 10/2020 | Shao | D12/163 |
| D920,186 S * | 5/2021 | Liu | D12/163 |
| D920,187 S * | 5/2021 | Liu | D12/163 |
| D940,604 S * | 1/2022 | Shao | D12/163 |

* cited by examiner

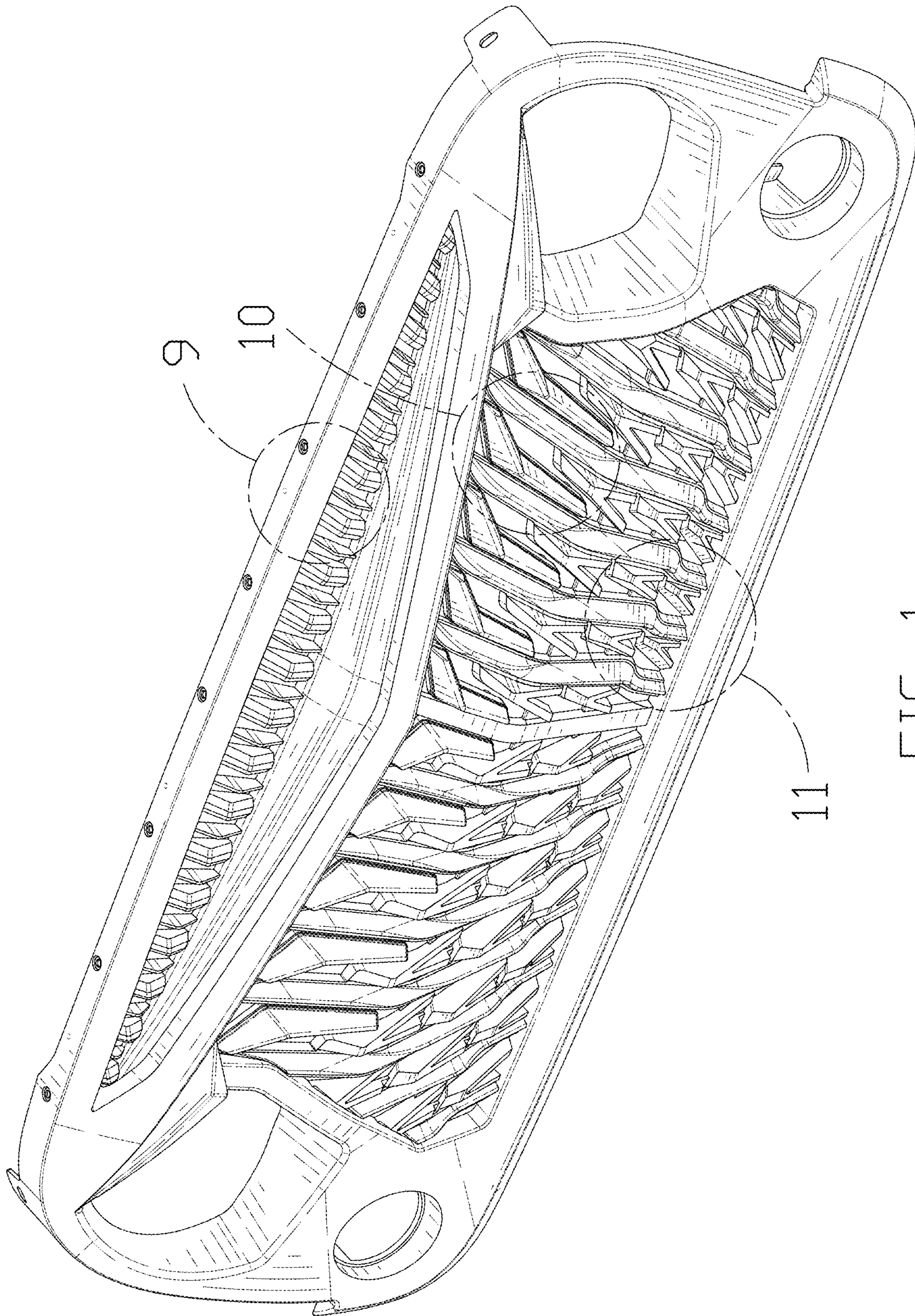


FIG. 1

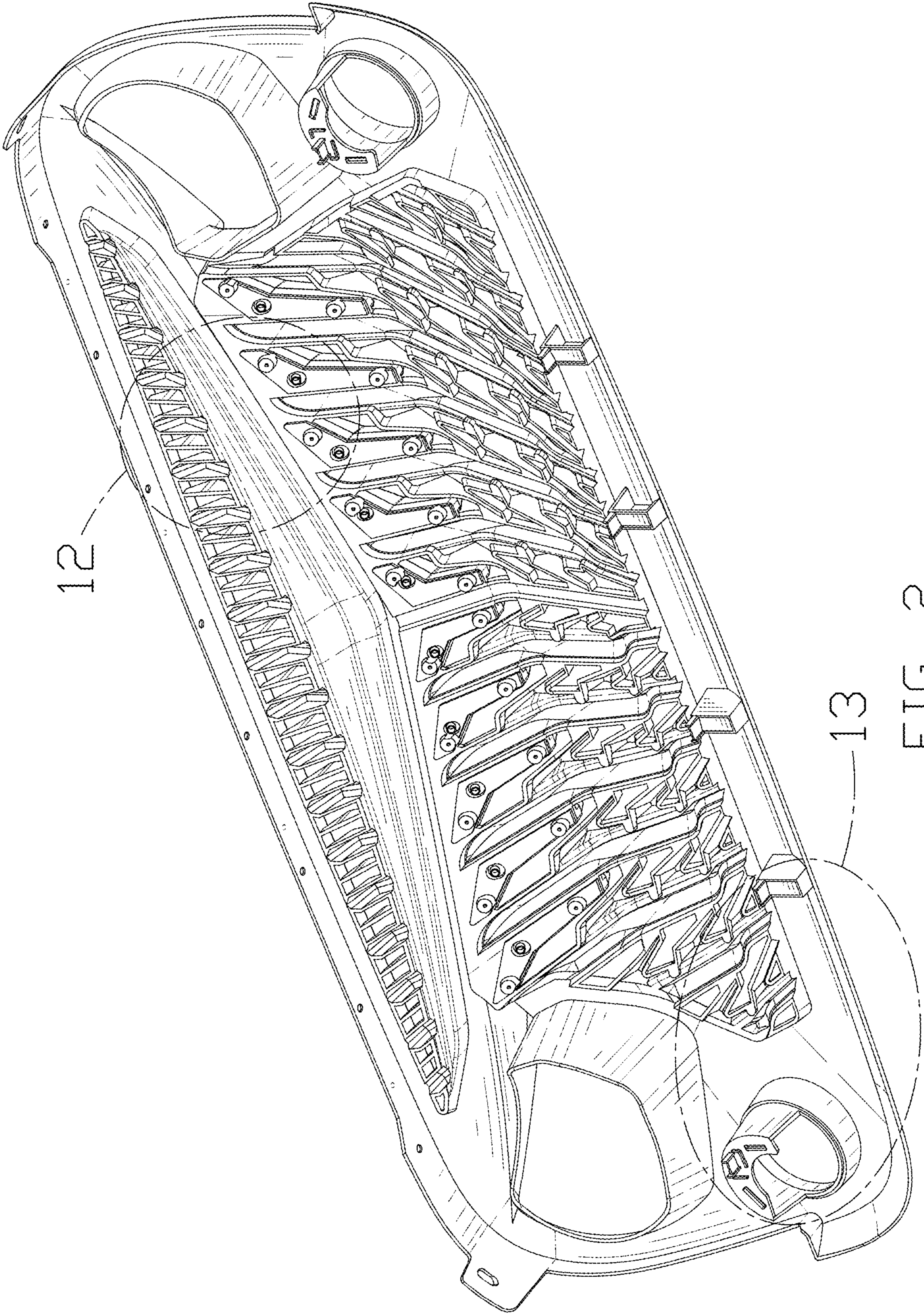


FIG. 2

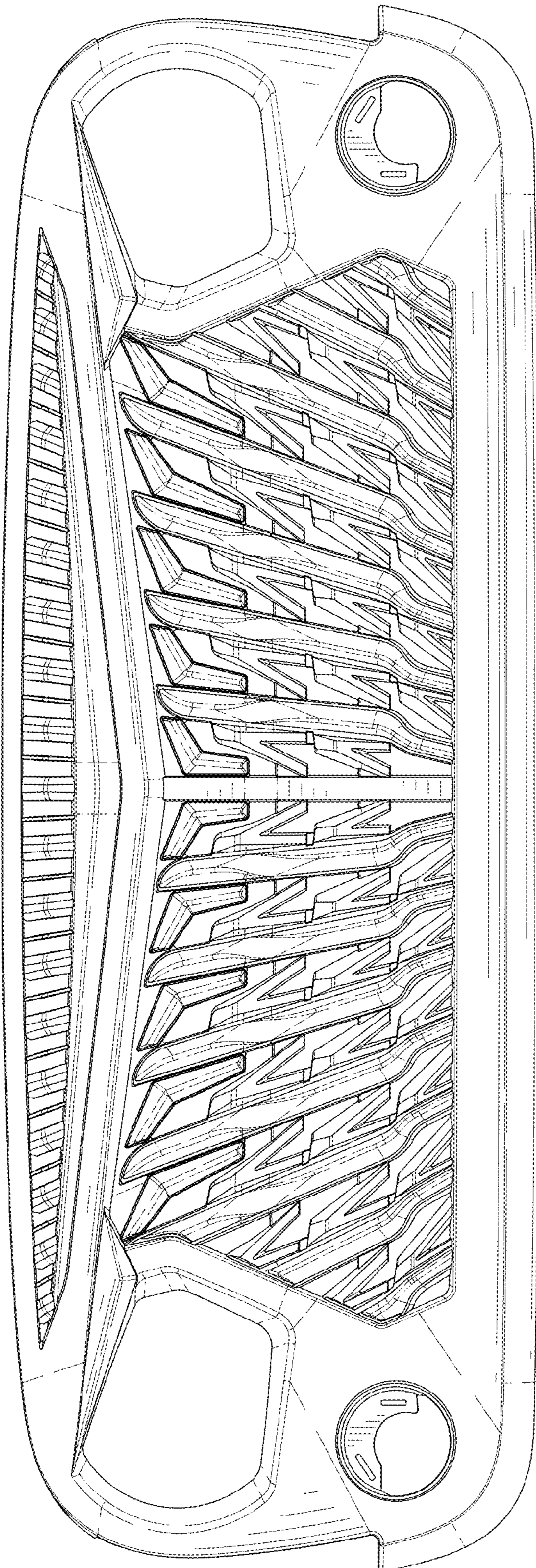


FIG. 3

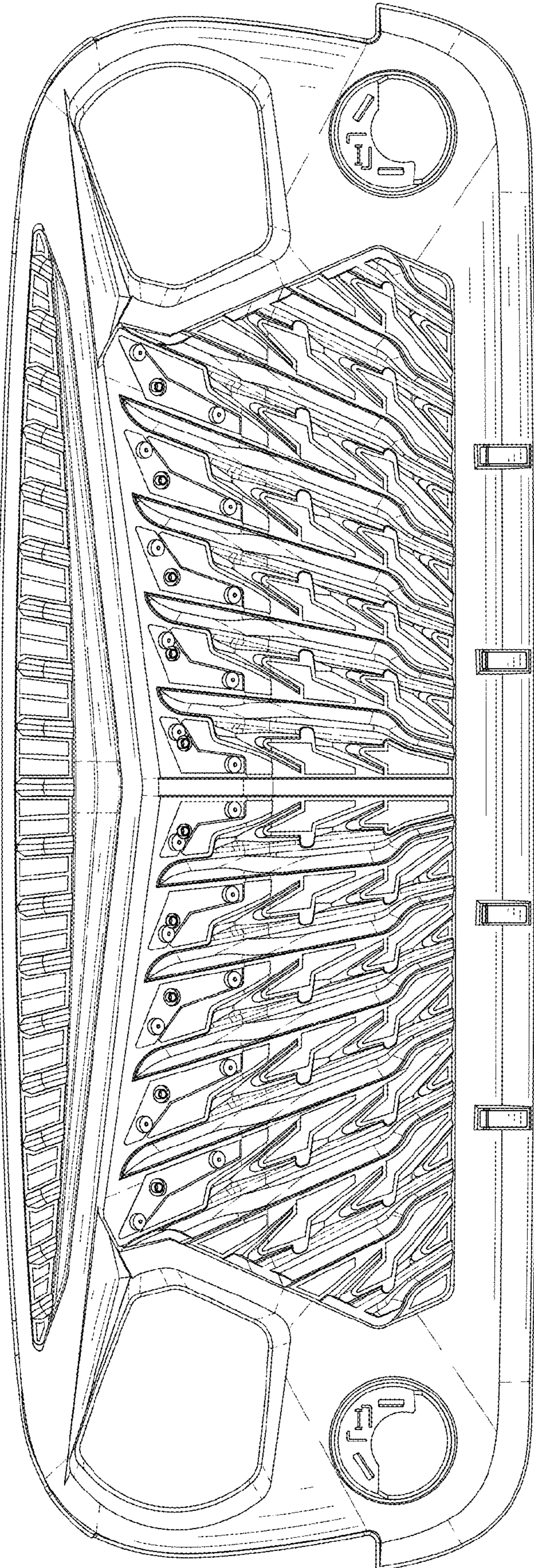


FIG. 4

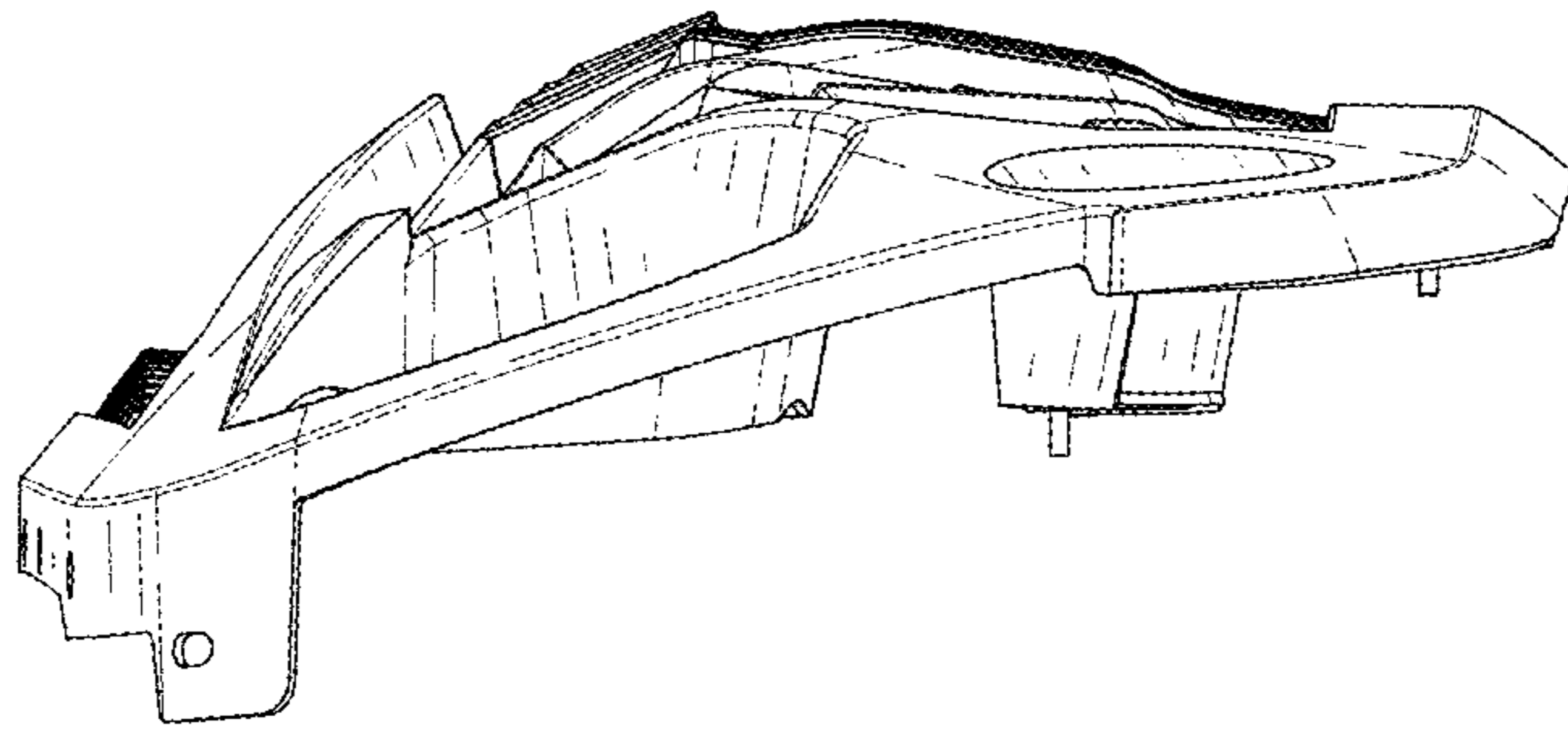


FIG. 5

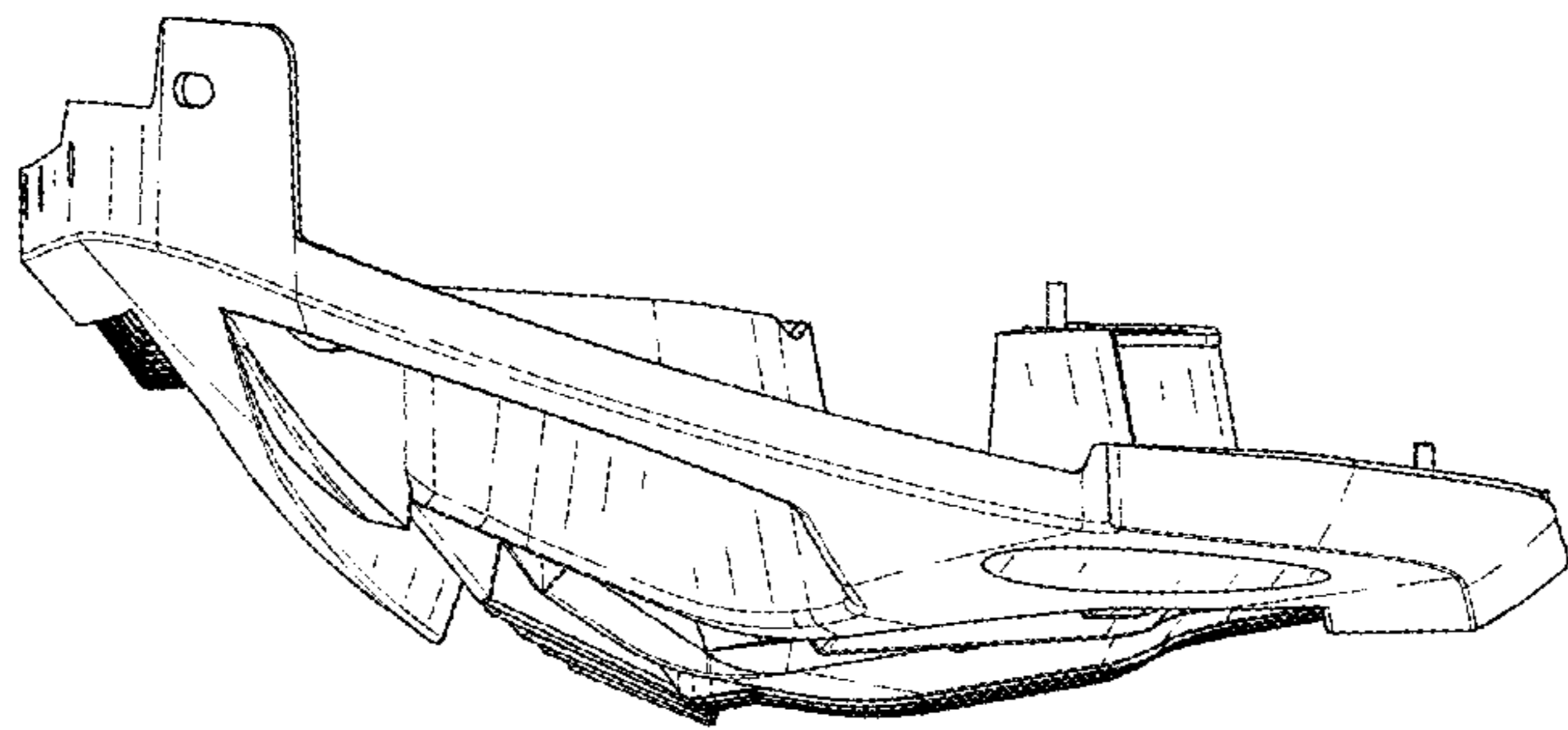


FIG. 6

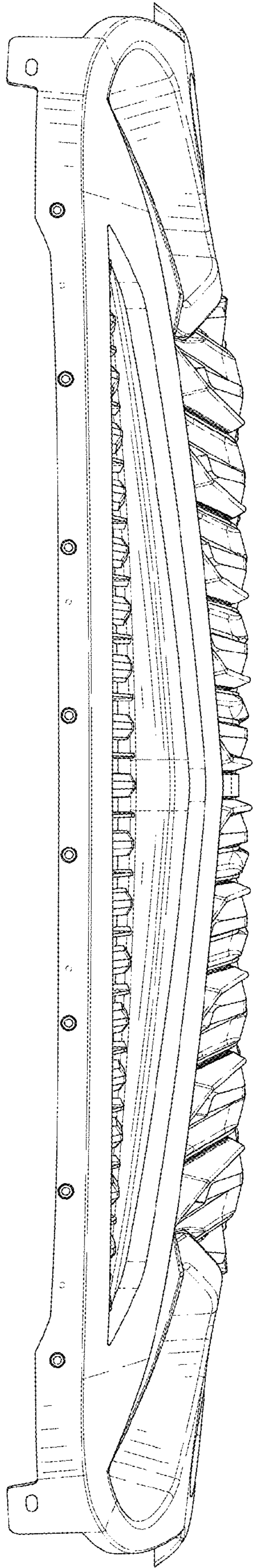


FIG. 7

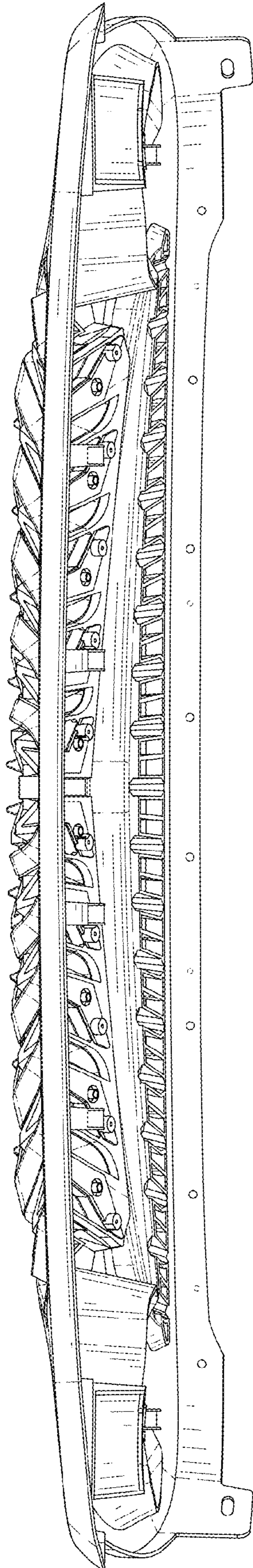


FIG. 8

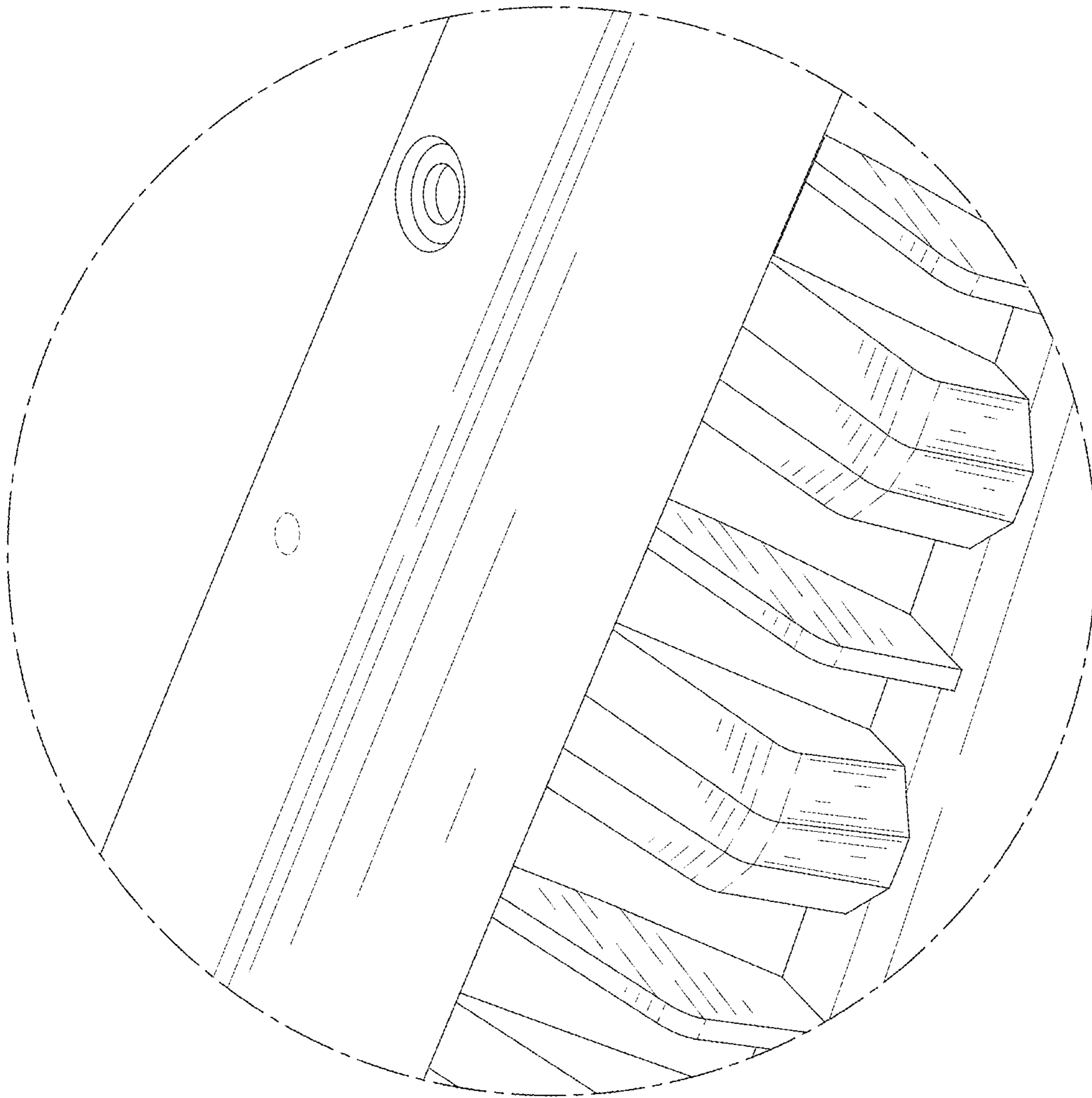


FIG. 9

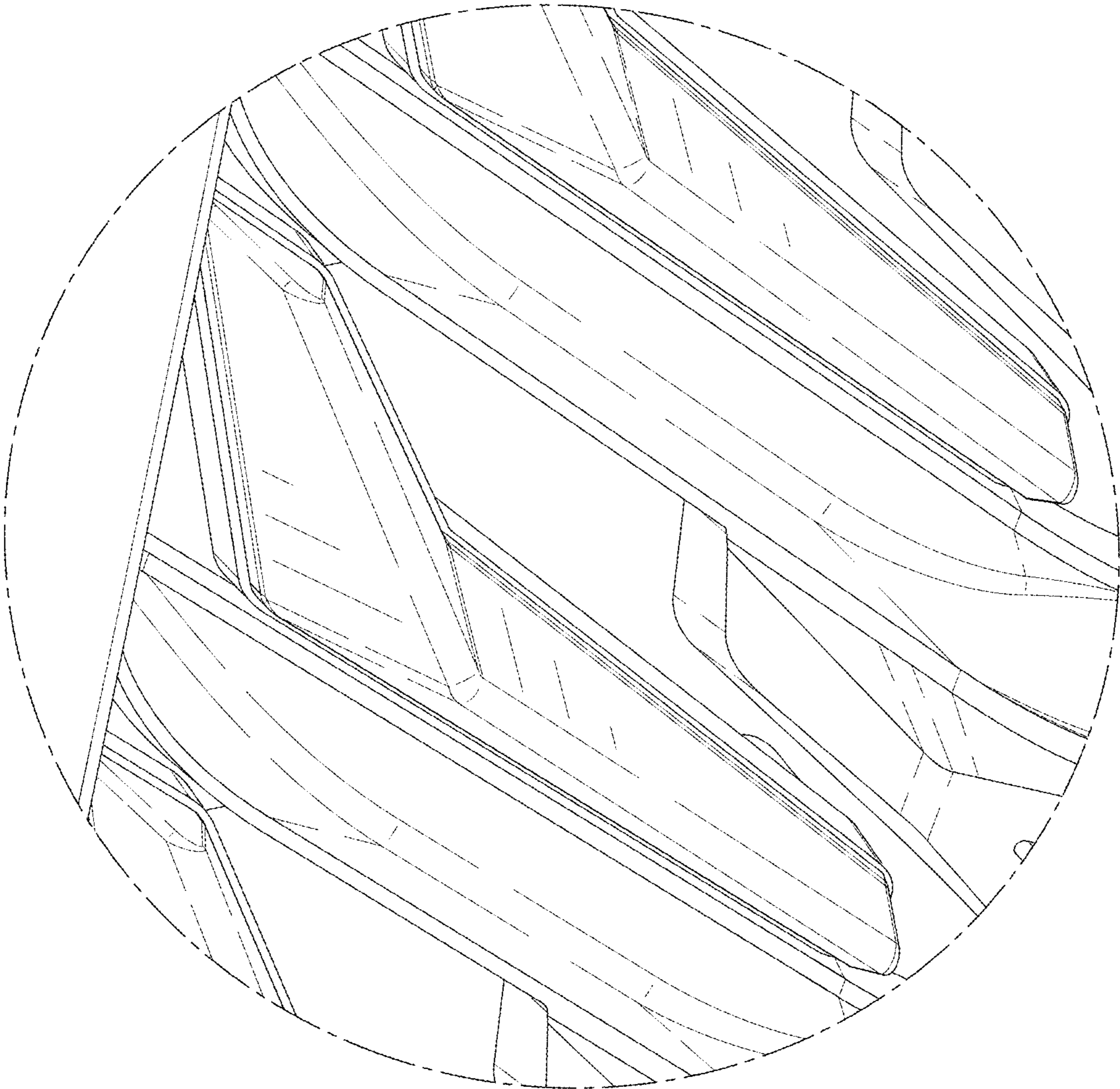


FIG. 10

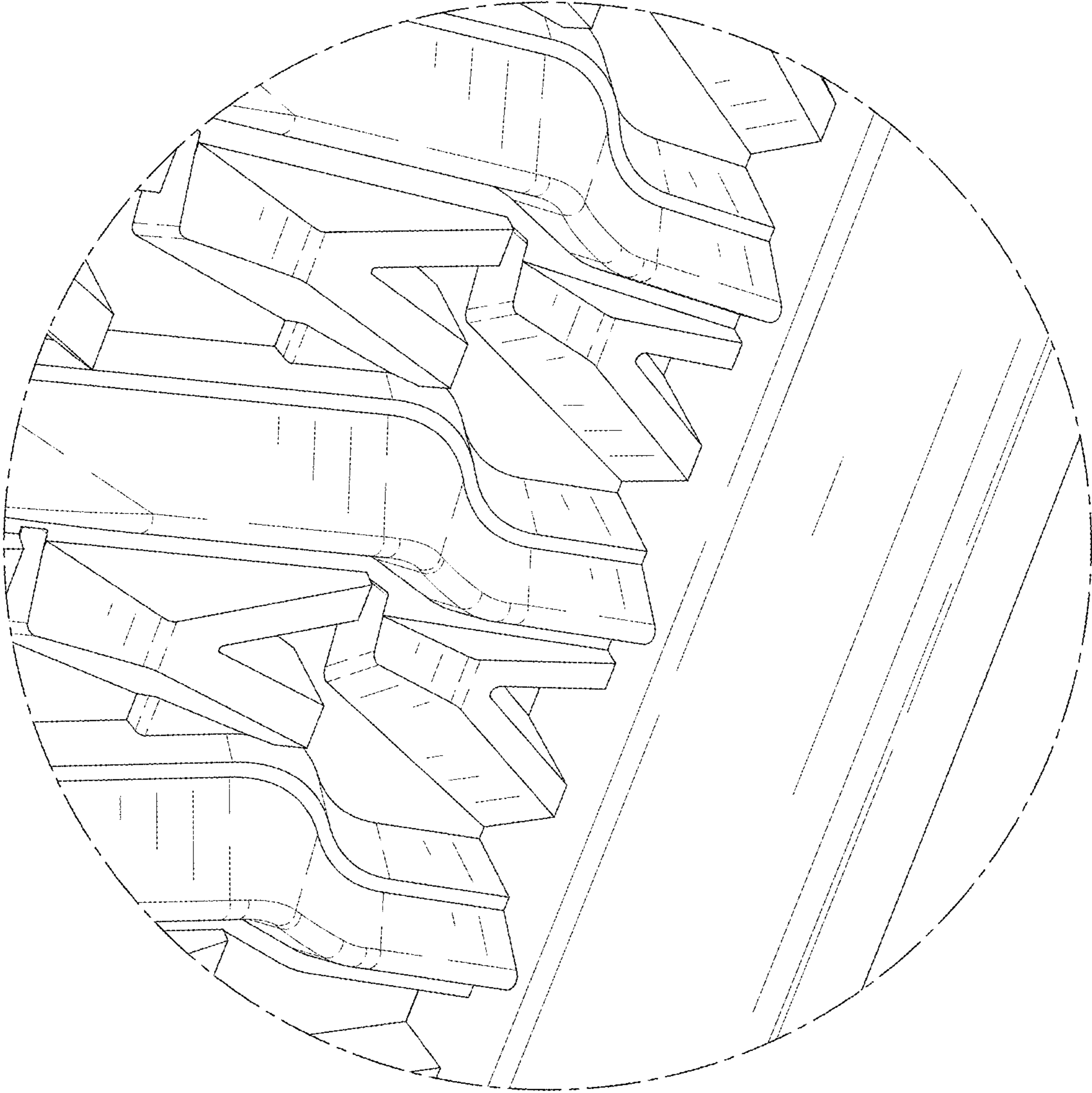


FIG. 11

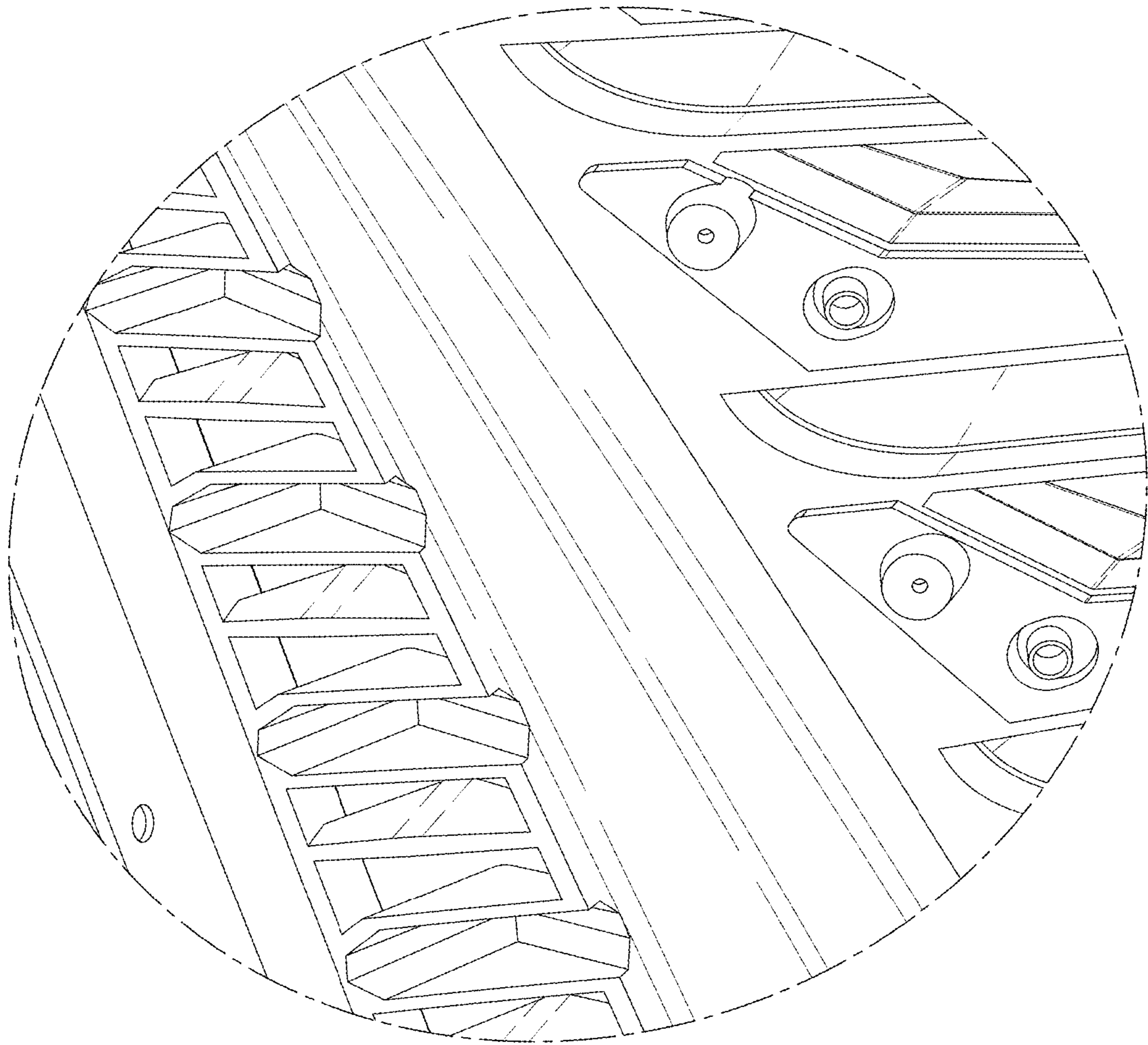


FIG. 12

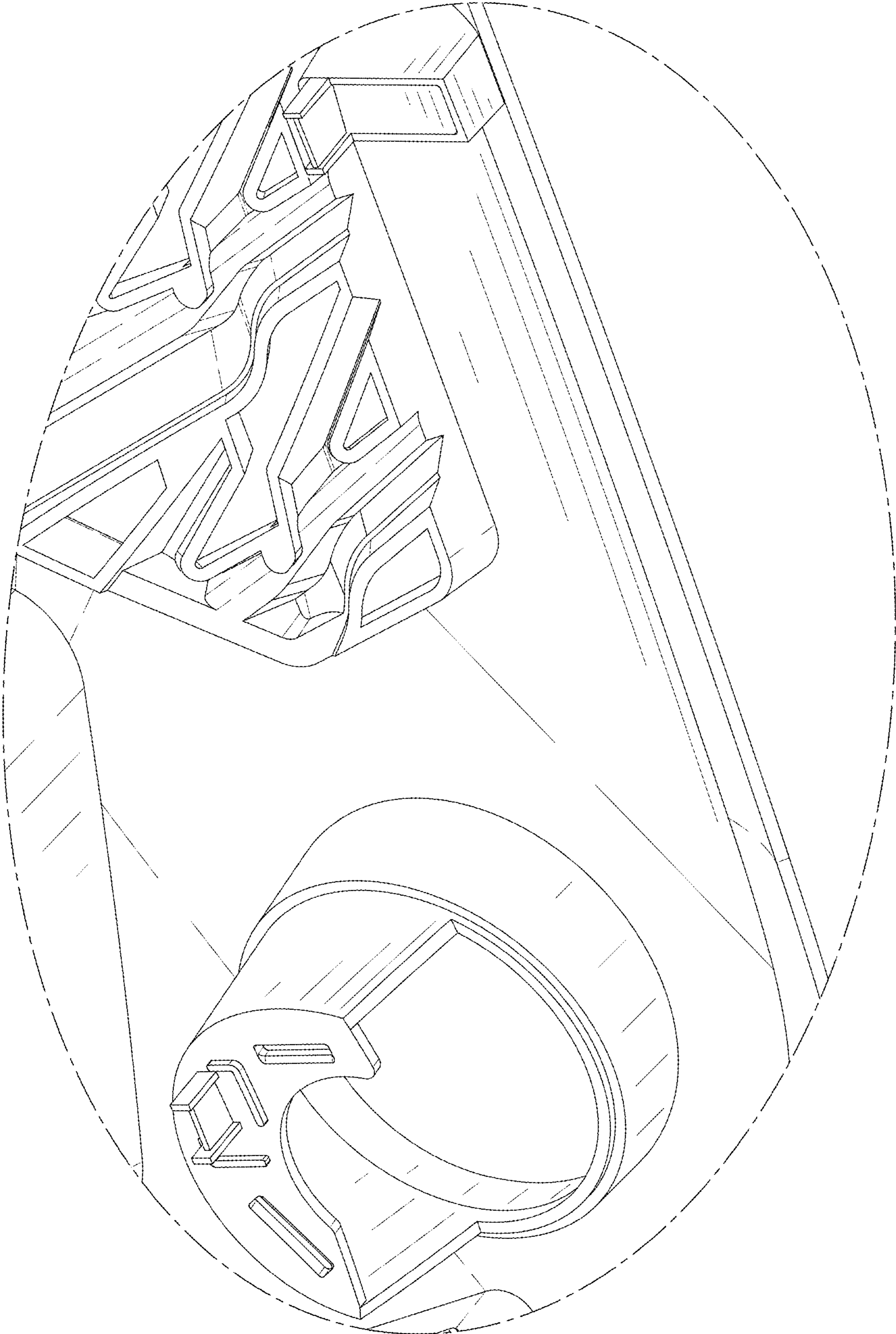


FIG. 13