

US00D960773S

(12) **United States Design Patent** (10) **Patent No.:** **US D960,773 S**
Gunnarson (45) **Date of Patent:** **** Aug. 16, 2022**

(54) **GRILLE FOR A VEHICLE**
(71) Applicant: **VOLVO CAR CORPORATION,**
Gothenburg (SE)
(72) Inventor: **Anders Gunnarson,** Kullavik (SE)
(73) Assignee: **VOLVO CAR CORPORATION,**
Gothenburg (SE)
(**) Term: **15 Years**
(21) Appl. No.: **29/760,595**
(22) Filed: **Dec. 2, 2020**
(30) **Foreign Application Priority Data**
Jul. 9, 2020 (WO) WIPO95984
(51) **LOC (13) Cl.** **12-16**
(52) **U.S. Cl.**
USPC **D12/163**
(58) **Field of Classification Search**
USPC D12/169, 196, 86, 90-92, 163, 190, 98,
D12/164; 293/102, 113, 115, 117, 120,
293/193.11; 296/180.1, 180.2; 180/68.1,
180/68.6
CPC B60R 19/52; B60K 11/08; B62D 25/08;
B62B 9/16
See application file for complete search history.

D809,978 S * 2/2018 Myrberg D12/163
D814,367 S * 4/2018 Myrberg D12/171
D876,280 S * 2/2020 Mayer D12/92
D909,925 S * 2/2021 Smith D12/163
D909,927 S * 2/2021 Buck D12/163
D936,530 S * 11/2021 Kim D12/163
D936,532 S * 11/2021 Bernardi D12/163

OTHER PUBLICATIONS

NetCarShow.com, Volvo, Design Name: Concept Coupe, Year of Introduction: 2019.
NetCarShow.com, Volvo, Design Name: V60, Year of Introduction: 2013.
NetCarShow.com, Volvo, Design Name: XC90, Year of Introduction: 2014.

* cited by examiner

Primary Examiner — Melody N Brown
(74) *Attorney, Agent, or Firm* — Berenato & White, LLC

(57) **CLAIM**

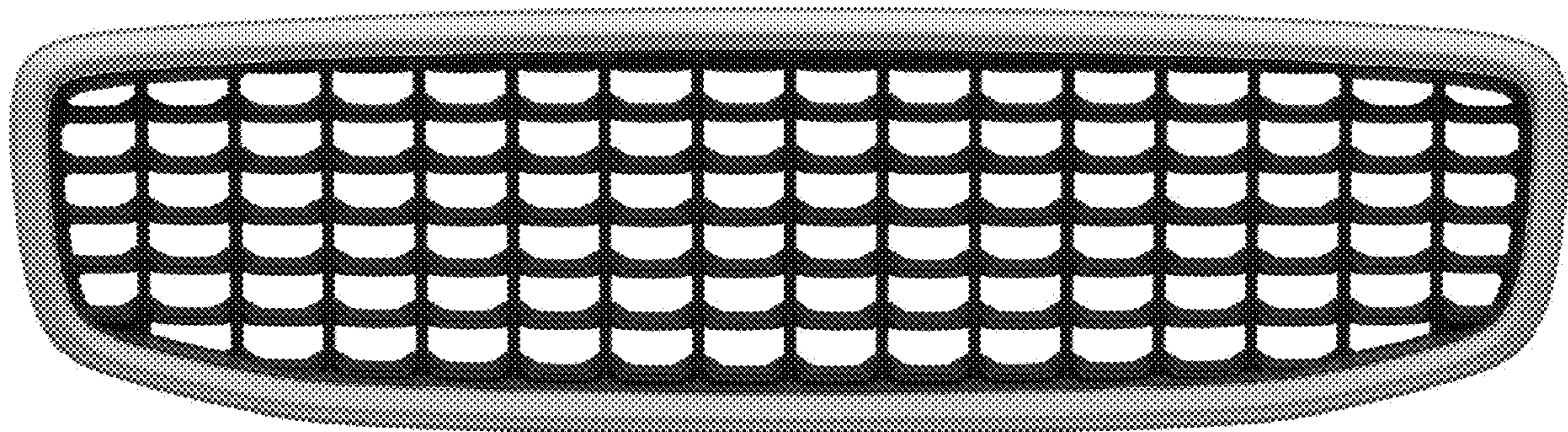
The ornamental design for a grille for a vehicle, as shown and described.

DESCRIPTION

FIG. 1 is a front view of a grille showing my new design; FIG. 2 is a left, front perspective view thereof; FIG. 3 is a right, front perspective view thereof; FIG. 4 is a right side view thereof; FIG. 5 is a left side view thereof; FIG. 6 is a top view thereof; FIG. 7 is a bottom view thereof; and, FIG. 8 is a rear view thereof.

1 Claim, 8 Drawing Sheets

(56) **References Cited**
U.S. PATENT DOCUMENTS
D729,705 S * 5/2015 Gunnarson D12/163
D775,555 S * 1/2017 Myrberg D12/163



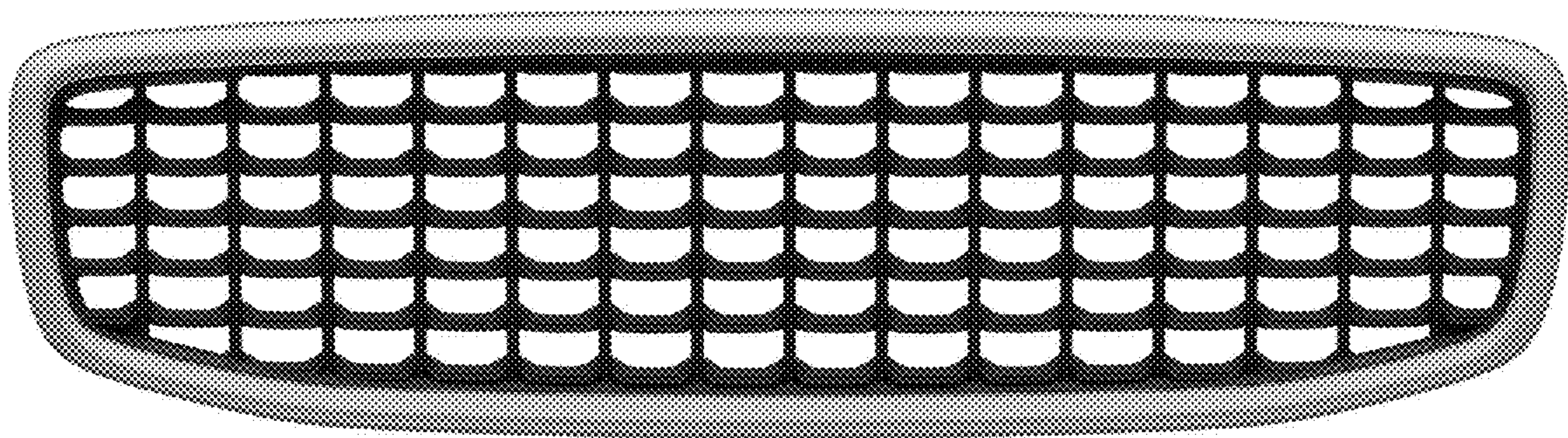


FIG. 1

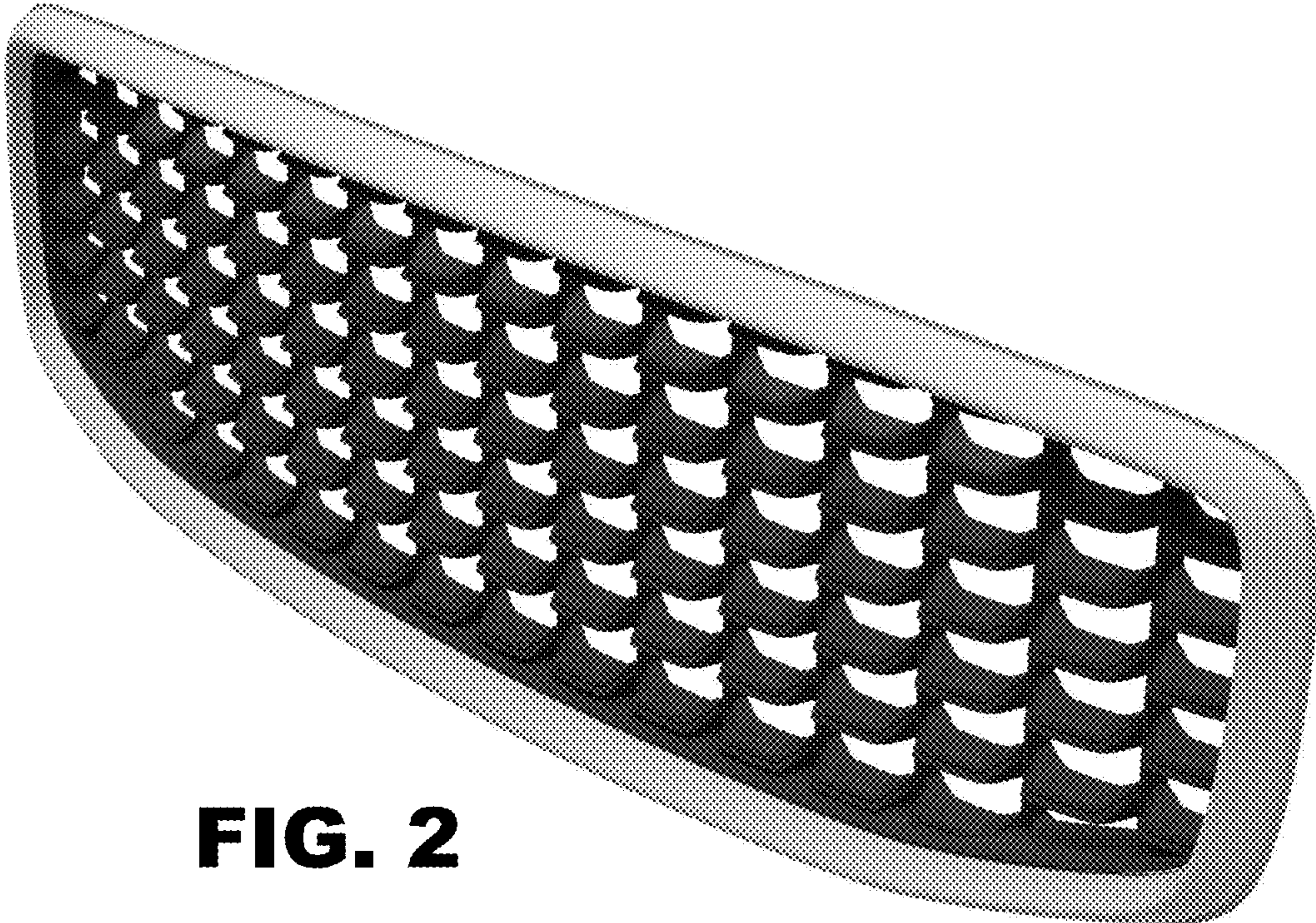


FIG. 2

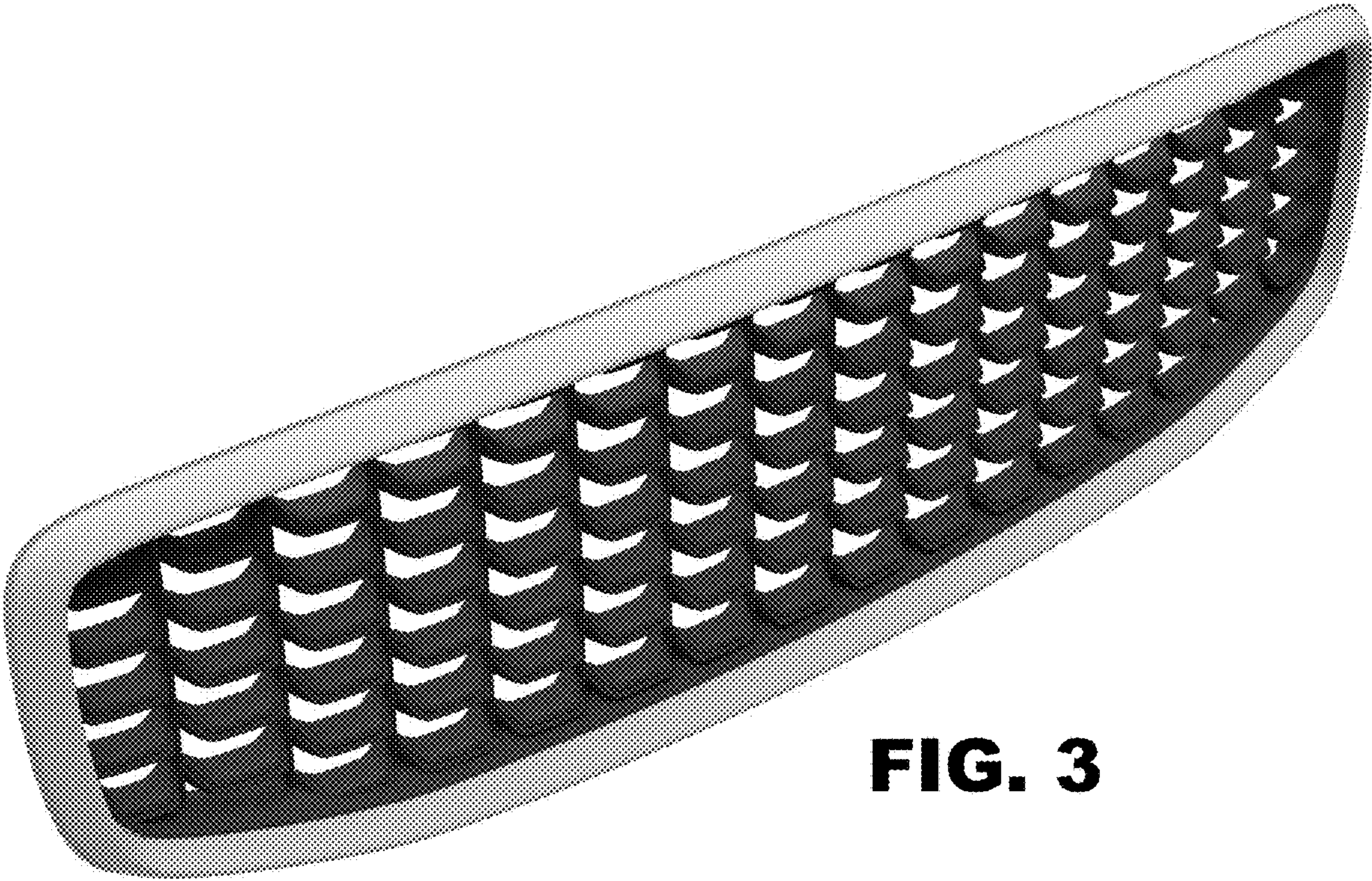


FIG. 3

FIG. 4

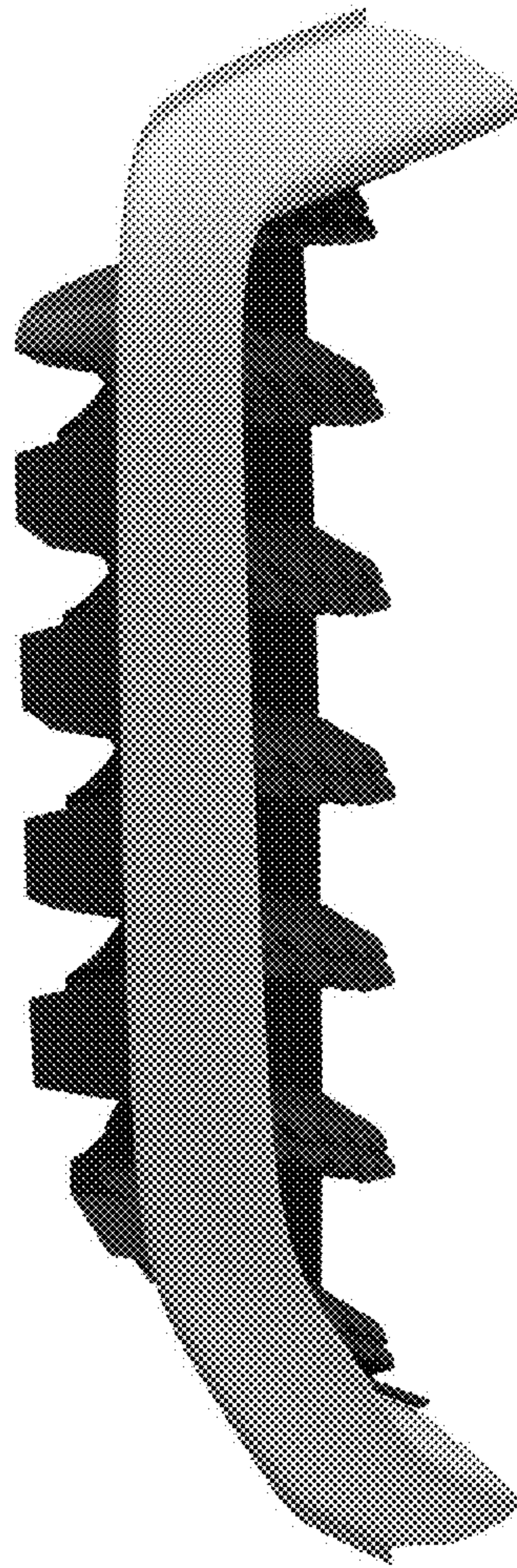


FIG. 5



FIG. 6

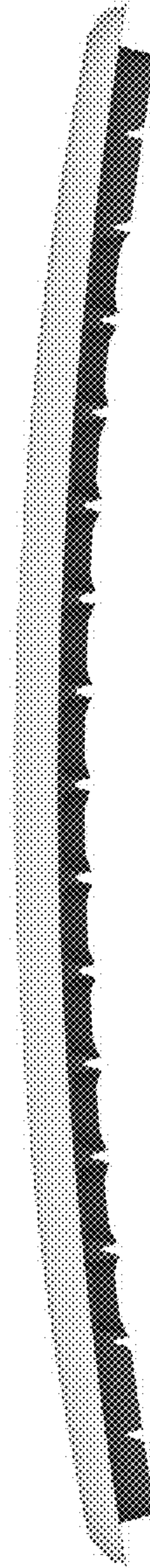
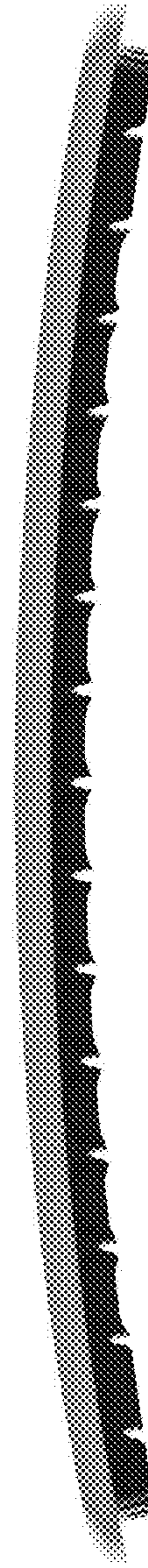


FIG. 7



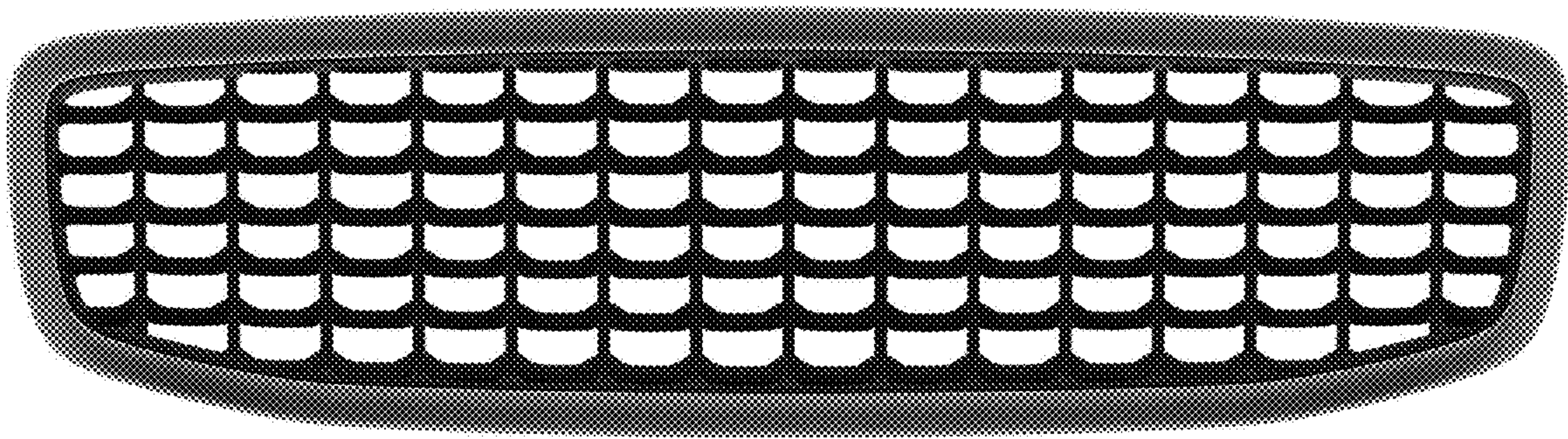


FIG. 8