



US00D960771S

(12) **United States Design Patent**  
**Lin**

(10) **Patent No.:** **US D960,771 S**  
(45) **Date of Patent:** **\*\* Aug. 16, 2022**

(54) **WHEELED WALKER**

FOREIGN PATENT DOCUMENTS

(71) Applicant: **CHARMING WORLD INC.**, Taipei (TW)

CN 212416298 U \* 1/2021

\* cited by examiner

(72) Inventor: **Ching-Hsueh Lin**, Taipei (TW)

*Primary Examiner* — Cary M Robinson

*Assistant Examiner* — Adam C Mager

(73) Assignee: **CHARMING WORLD INC.**, Taipei (TW)

(74) *Attorney, Agent, or Firm* — Muncy, Geissler, Olds & Lowe, P.C.

(\*\*) Term: **15 Years**

(21) Appl. No.: **29/745,360**

(57) **CLAIM**

The ornamental design for a wheeled walker, as shown and described.

(22) Filed: **Aug. 5, 2020**

(51) **LOC (13) Cl.** ..... **12-12**

(52) **U.S. Cl.**  
USPC ..... **D12/130**

**DESCRIPTION**

(58) **Field of Classification Search**  
USPC ..... D12/128, 129, 130, 131, 132, 133  
CPC ..... A61H 3/00; A61H 3/04; A61H 2003/001;  
A61H 2003/002; A61H 2003/003; A61H  
2003/004; A61H 2003/005; A61H  
2003/006; A61H 2003/007; A61H  
2003/043; A61H 2003/046  
See application file for complete search history.

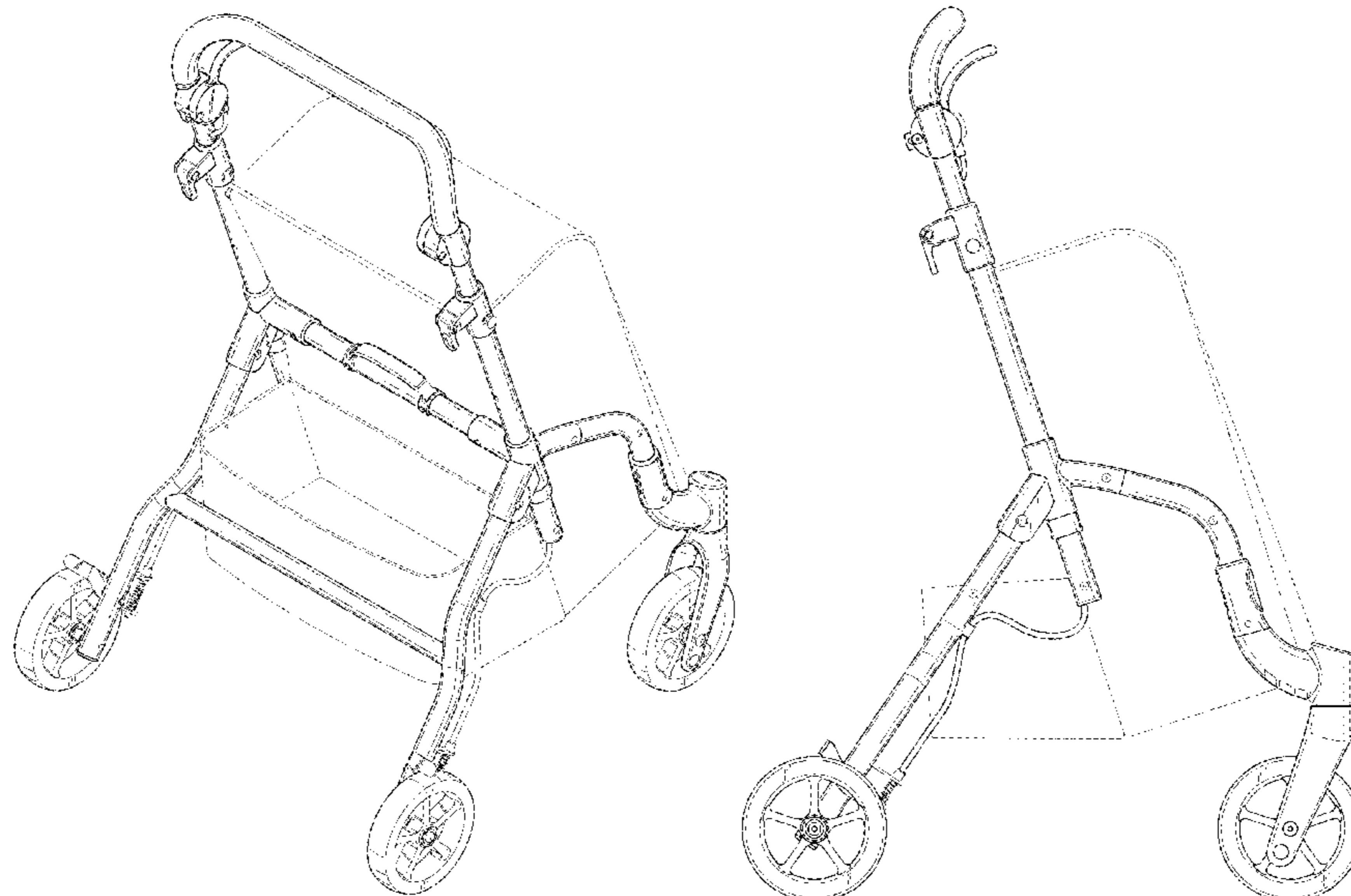
FIG. 1 is a front right perspective view of a first embodiment of the wheeled walker;  
FIG. 2 is a front elevational view thereof;  
FIG. 3 is a rear elevational view thereof;  
FIG. 4 is a left side elevational view thereof;  
FIG. 5 is a right side elevational view thereof;  
FIG. 6 is a top plan view thereof;  
FIG. 7 is a bottom plan view thereof;  
FIG. 8 is a front left perspective view thereof;  
FIG. 9 is a front right perspective view of a second embodiment of the wheeled walker;  
FIG. 10 is a front elevational view thereof;  
FIG. 11 is a rear elevational view thereof;  
FIG. 12 is a left side elevational view thereof;  
FIG. 13 is a right side elevational view thereof;  
FIG. 14 is a top plan view thereof;  
FIG. 15 is a bottom plan view thereof; and,  
FIG. 16 is a front left perspective view thereof.  
The broken lines depict portions of a wheeled walker in which the design is embodied that form no part of the claimed design.

(56) **References Cited**

U.S. PATENT DOCUMENTS

D142,306 S *	8/1945	Smith	.....	D34/21
4,765,644 A *	8/1988	Bell	.....	B62B 3/027
				280/33.992
D367,251 S *	2/1996	Ahlberg	.....	D12/129
D407,882 S *	4/1999	Duchene	.....	D34/12
6,834,872 B2 *	12/2004	Chen	.....	A61H 3/04
				135/65
D546,018 S *	7/2007	Goodell	.....	D34/21
D547,919 S *	7/2007	Jane Stopp	.....	D34/12
D702,909 S *	4/2014	Stopp	.....	D34/12
D789,255 S *	6/2017	Delatorre	.....	D12/130
D798,778 S *	10/2017	Lin	.....	D12/130
D808,104 S *	1/2018	Schaaper	.....	D34/12

**1 Claim, 16 Drawing Sheets**



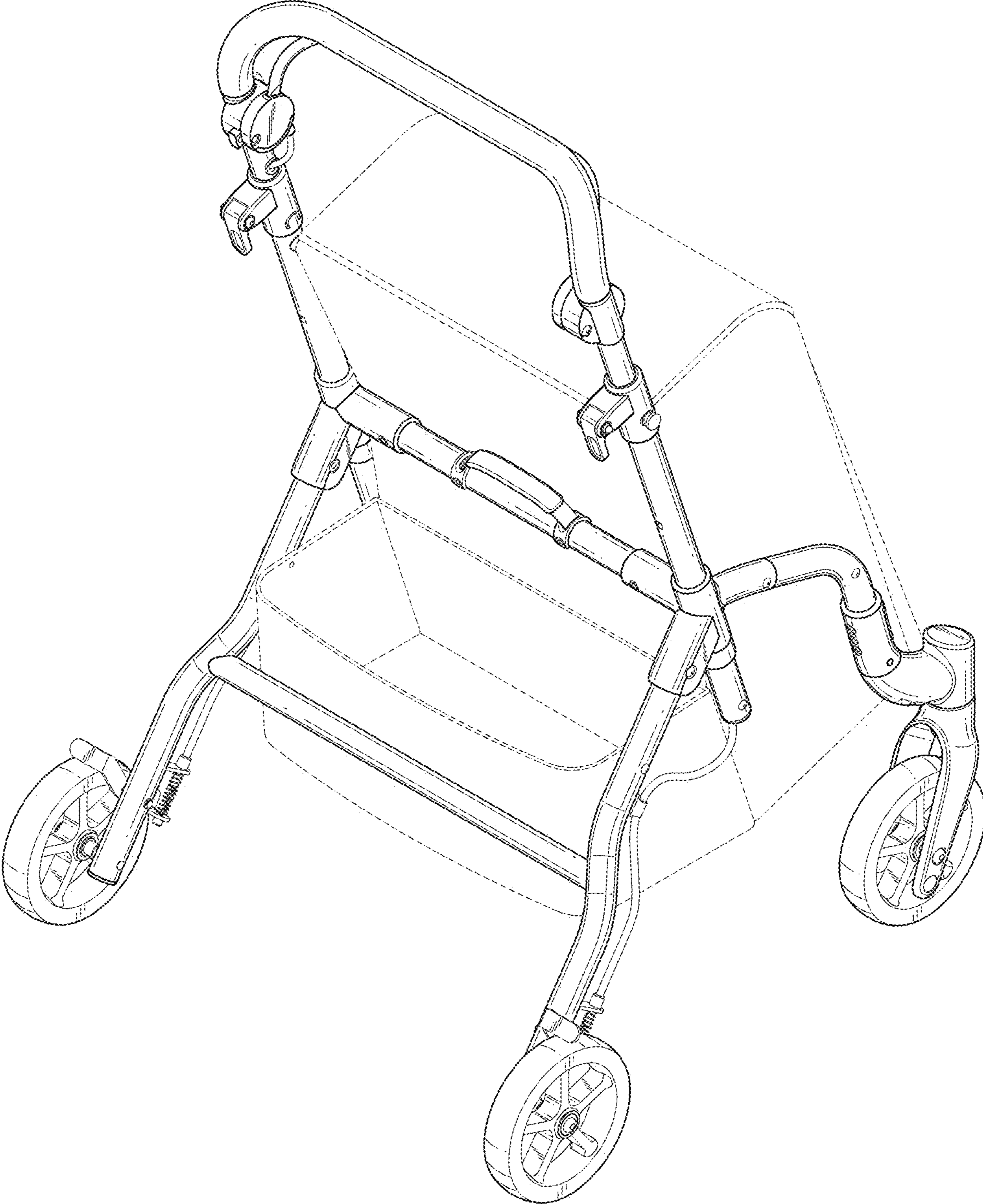


FIG. 1

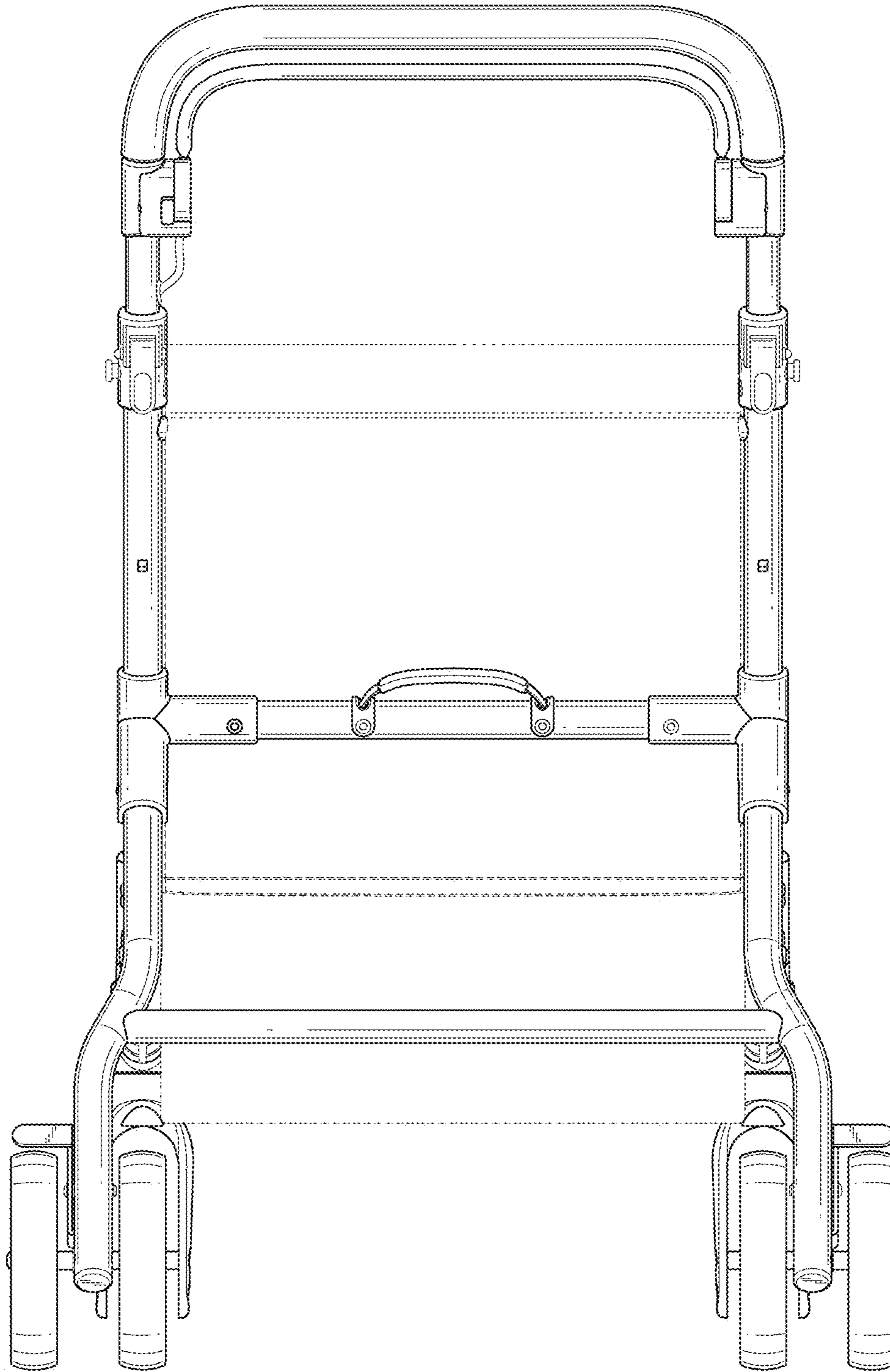


FIG. 2



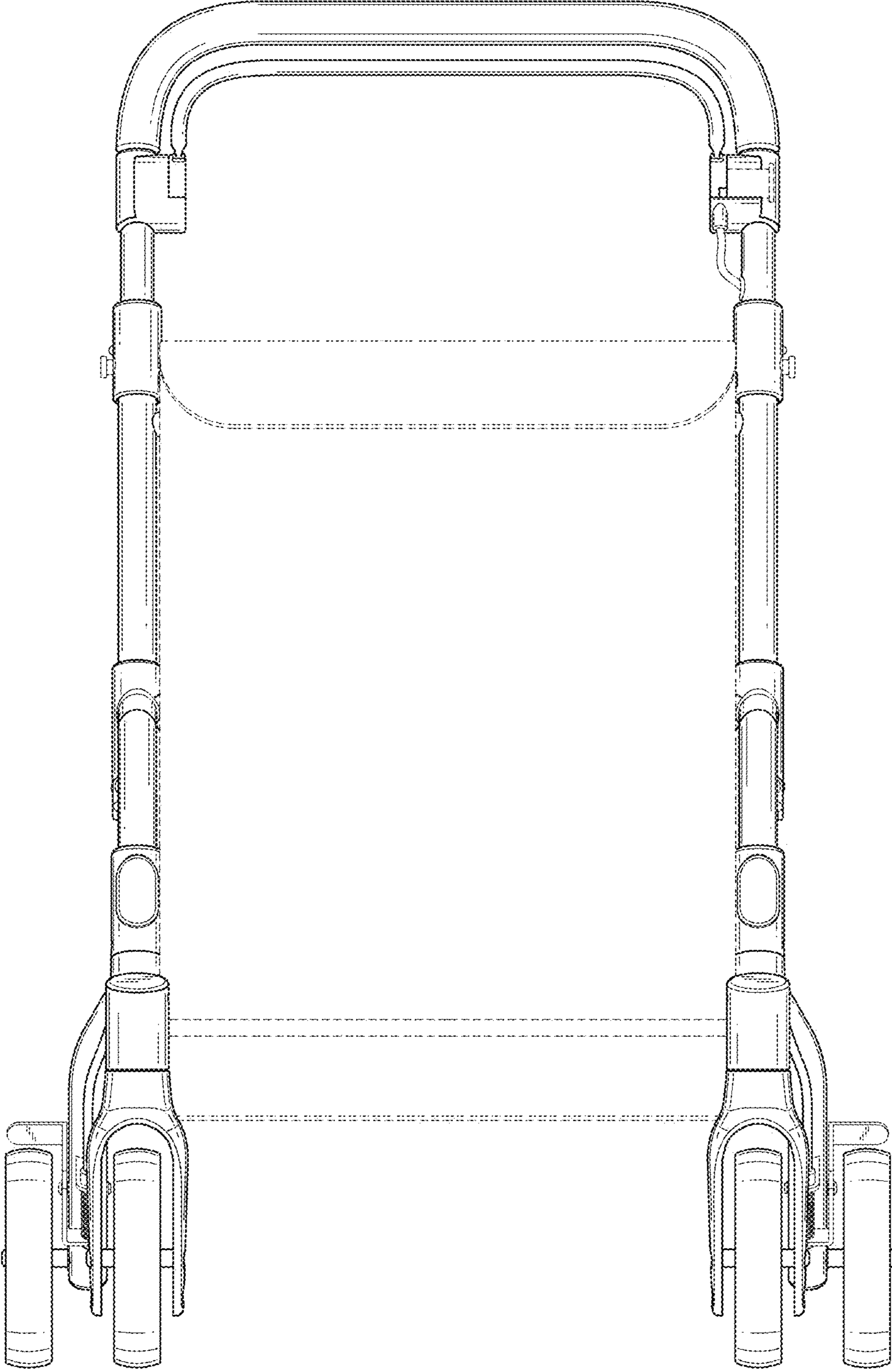


FIG. 3

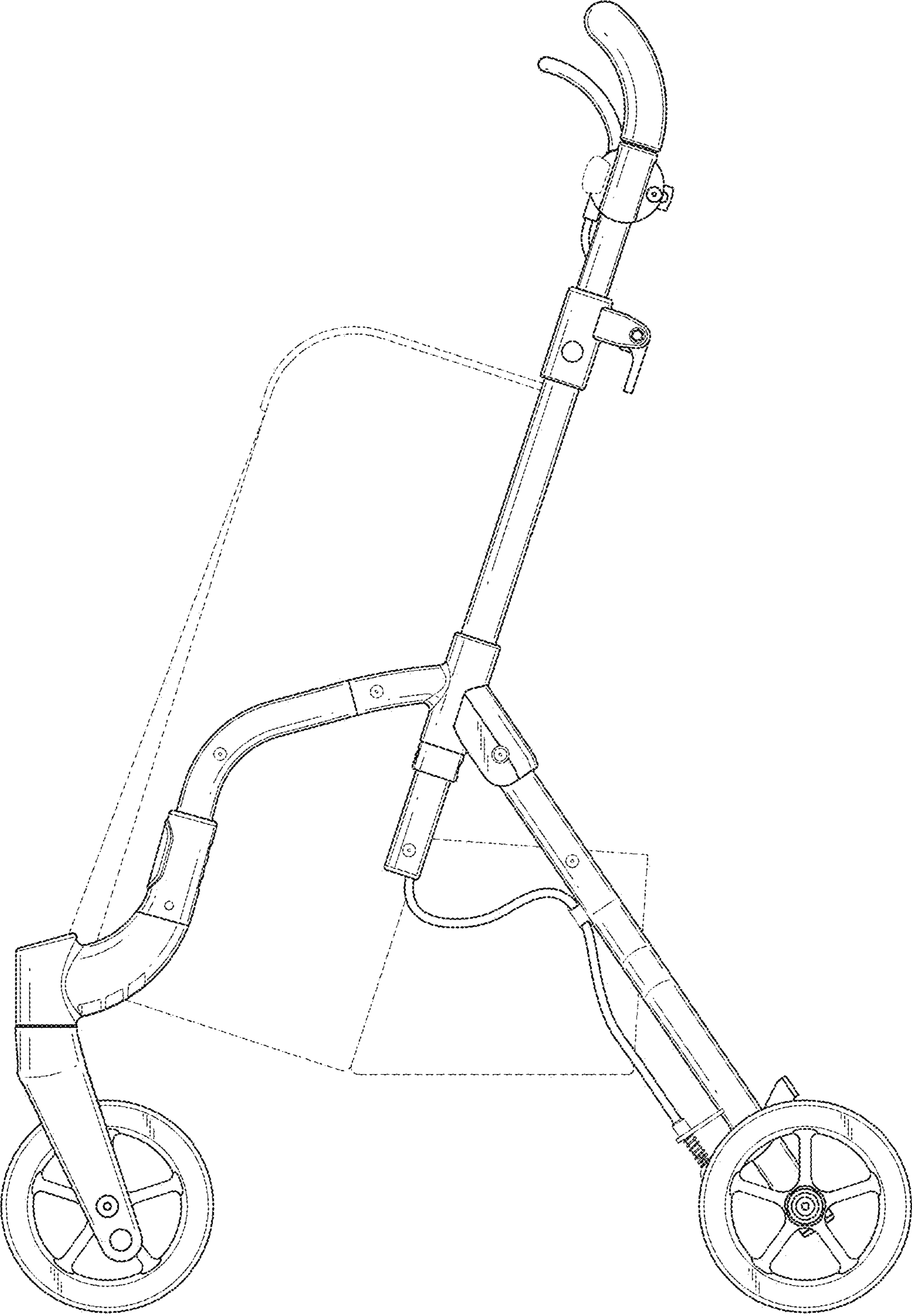


FIG. 4

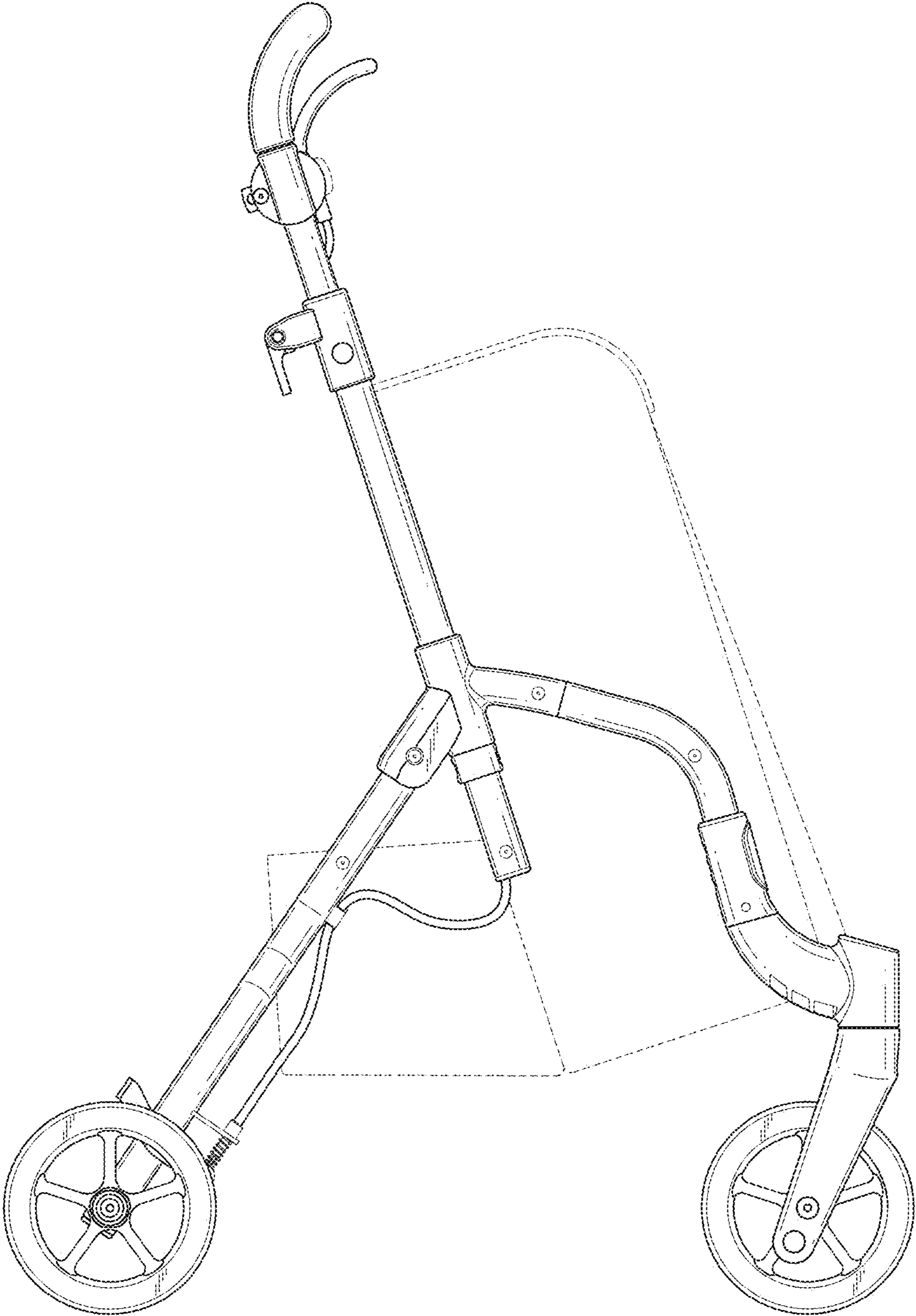


FIG. 5

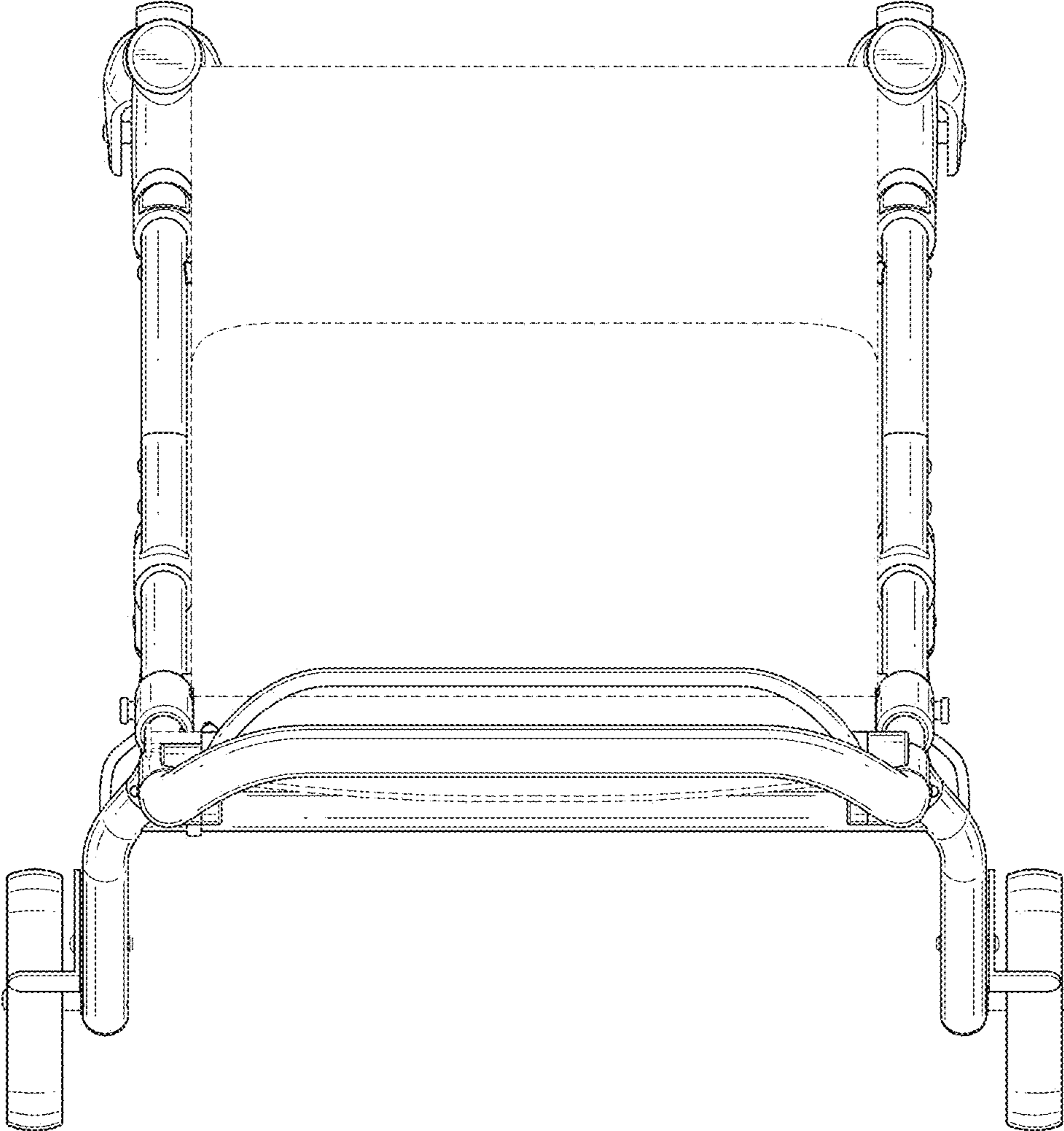


FIG. 6

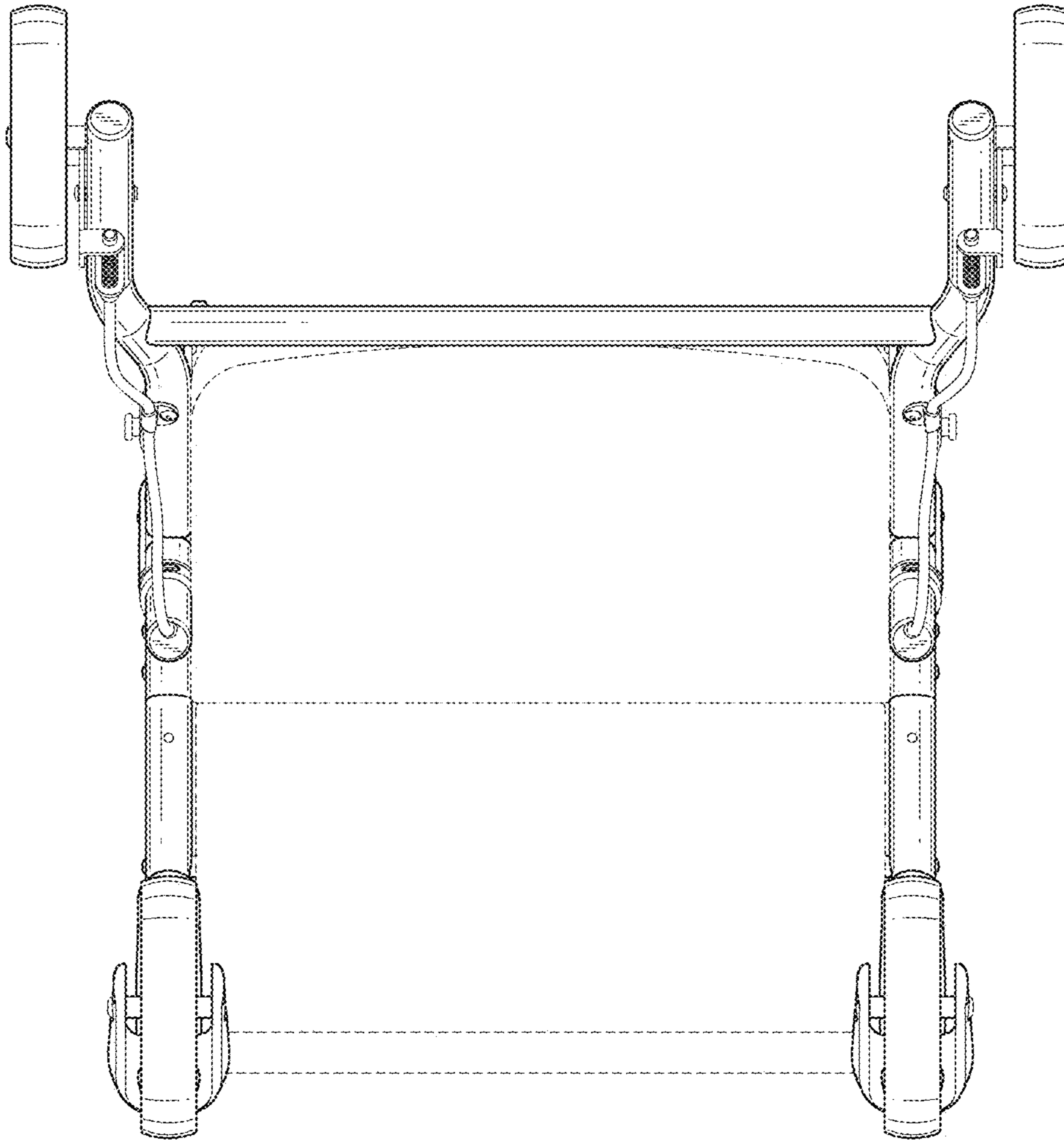


FIG. 7



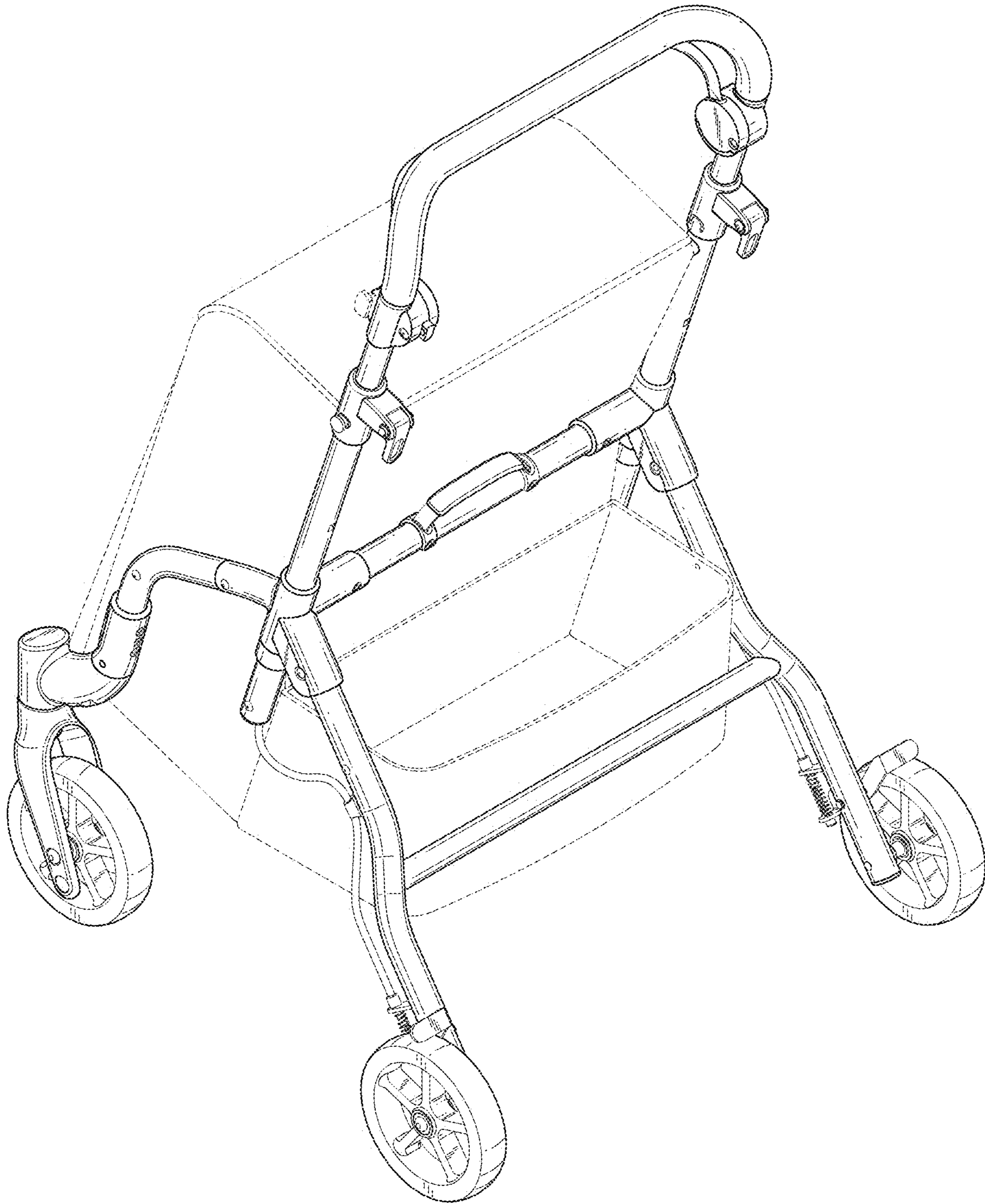


FIG. 8

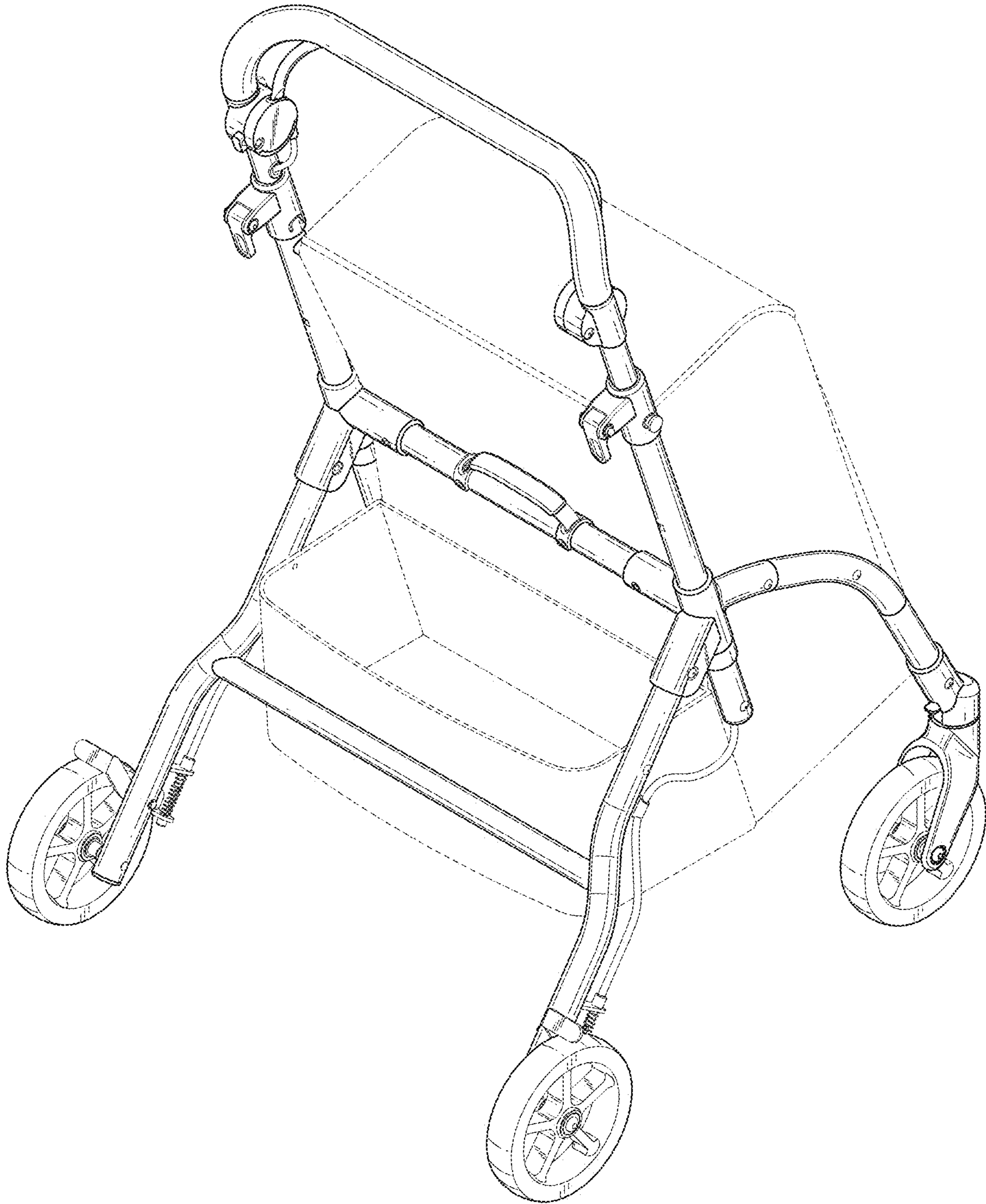


FIG. 9

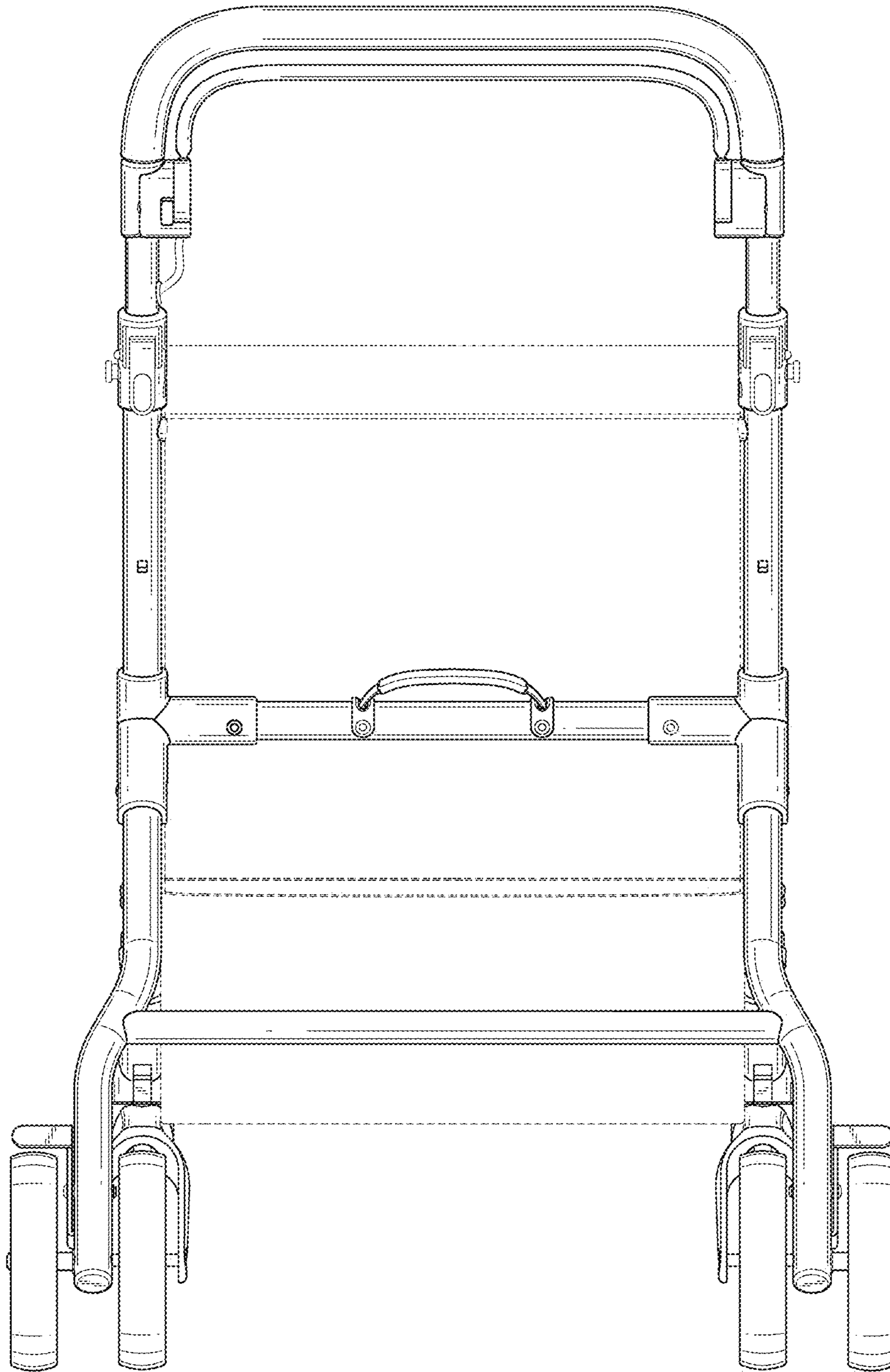


FIG. 10



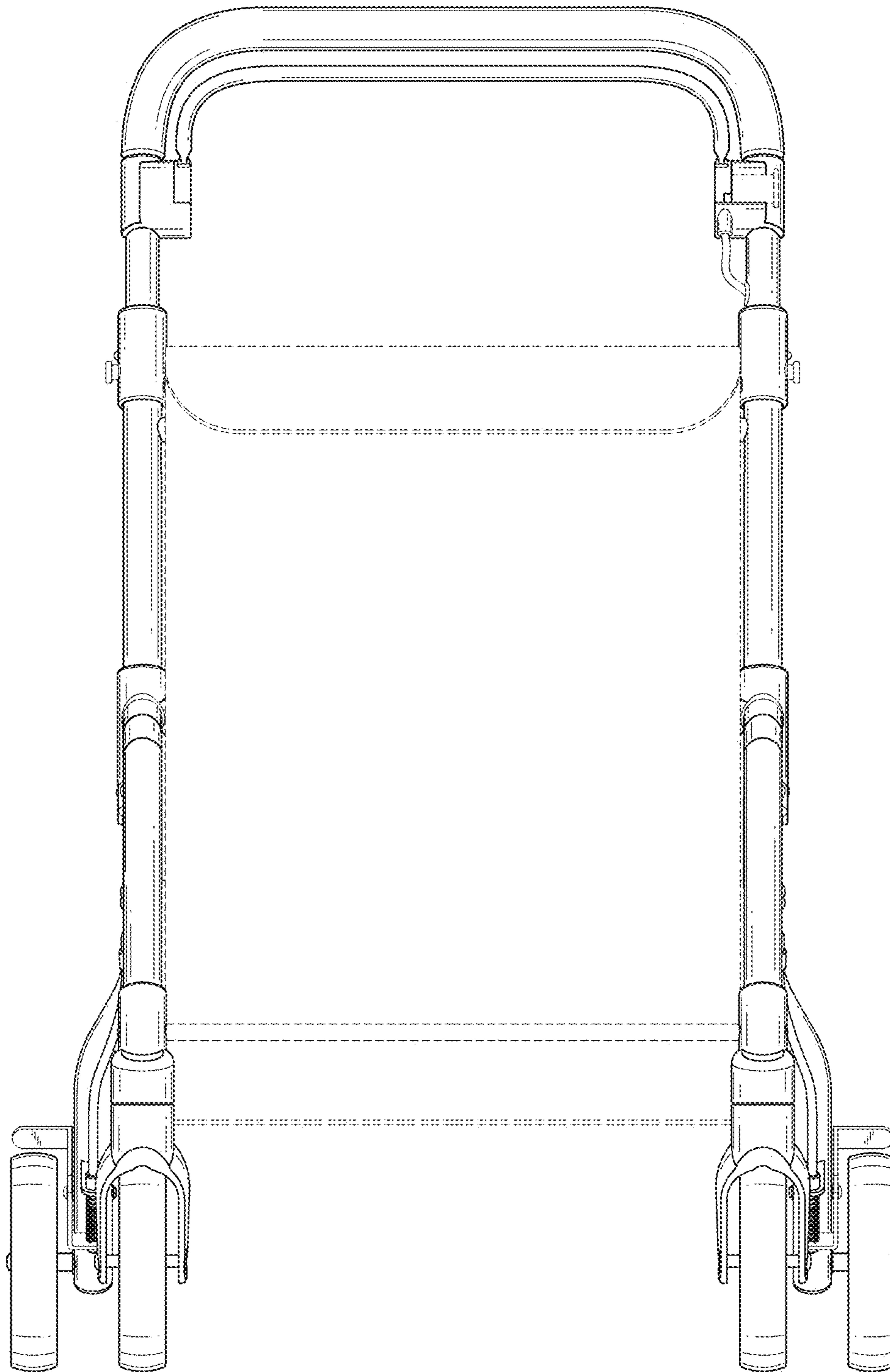


FIG. 11



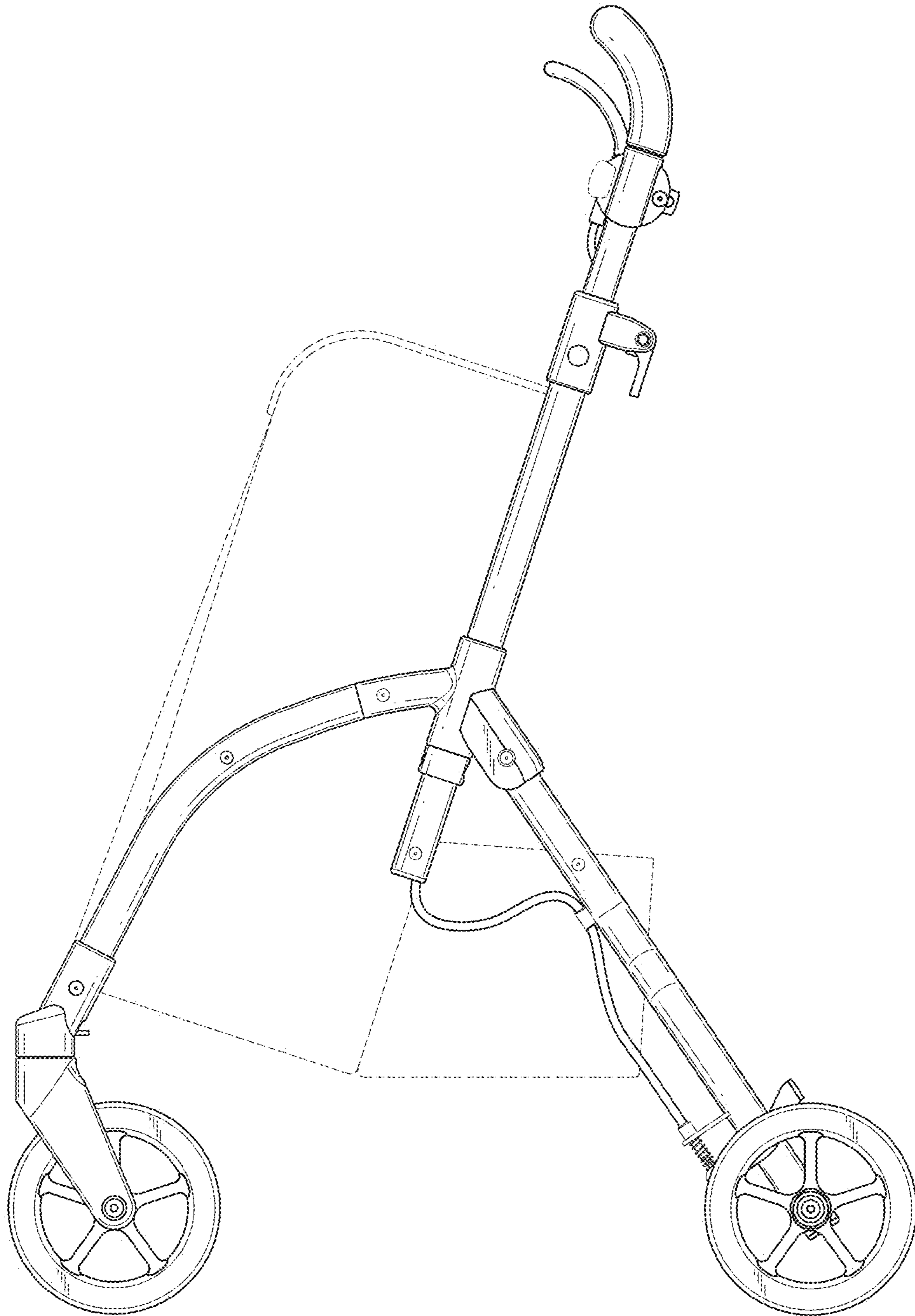


FIG. 12

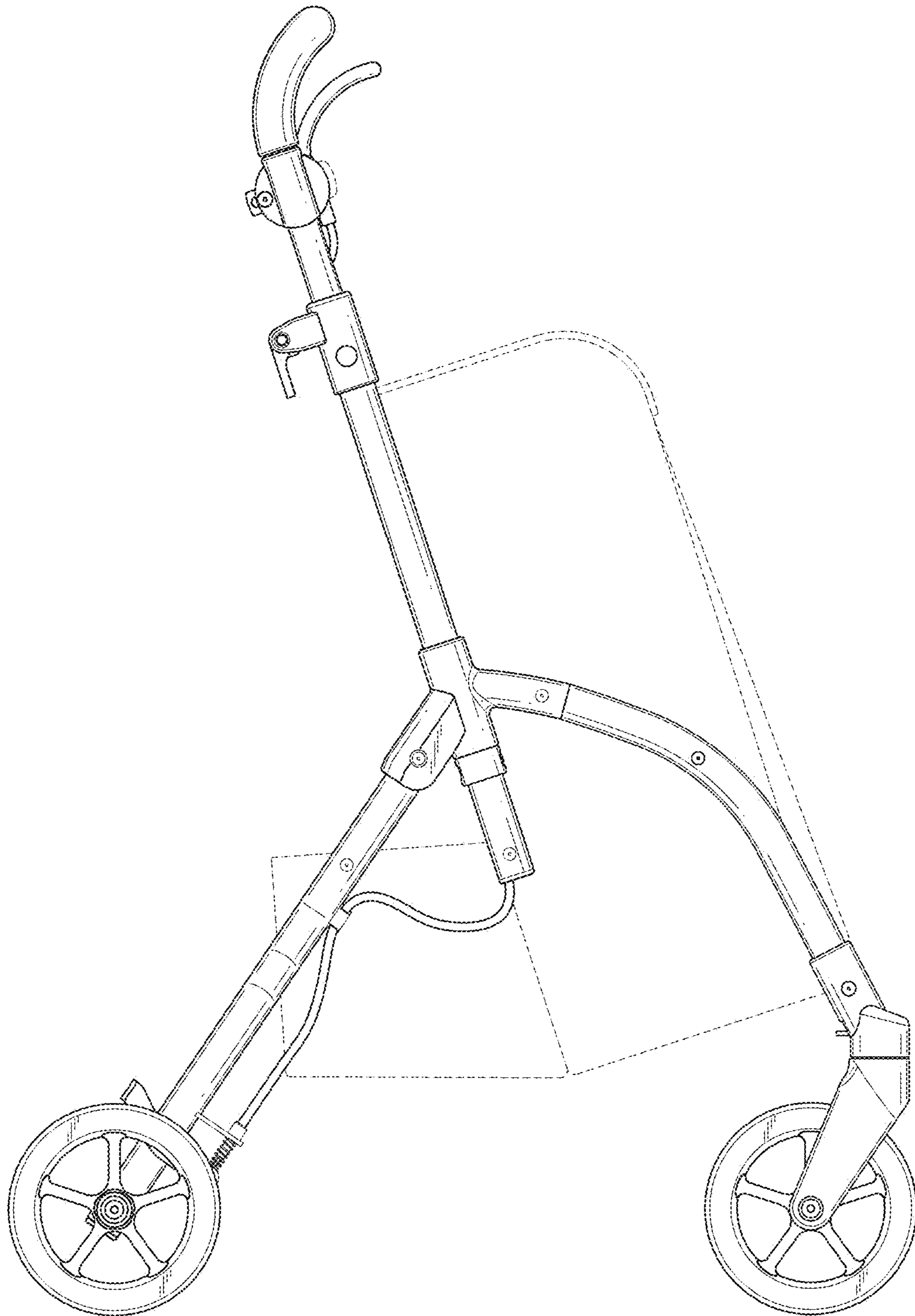


FIG. 13

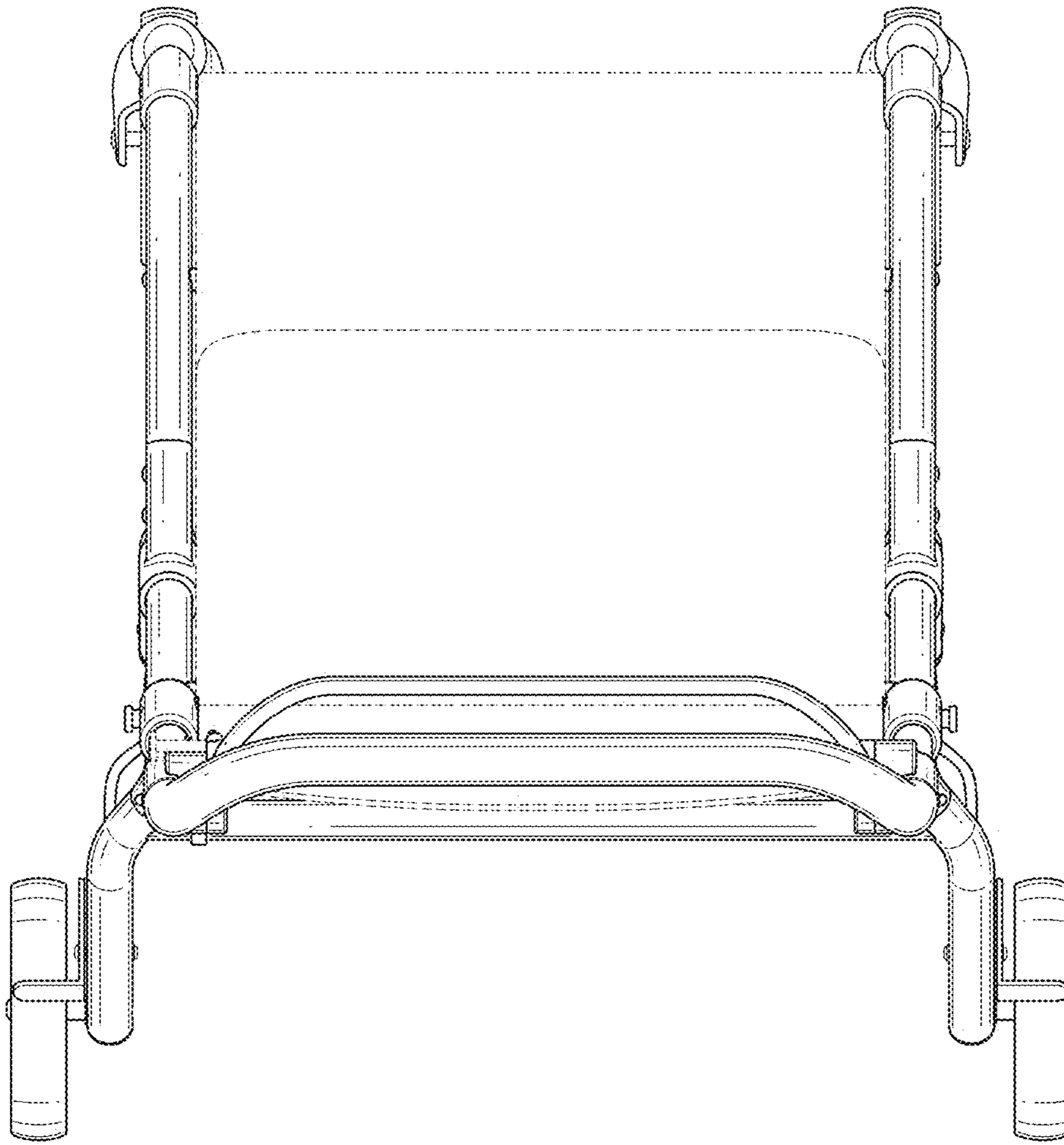


FIG. 14

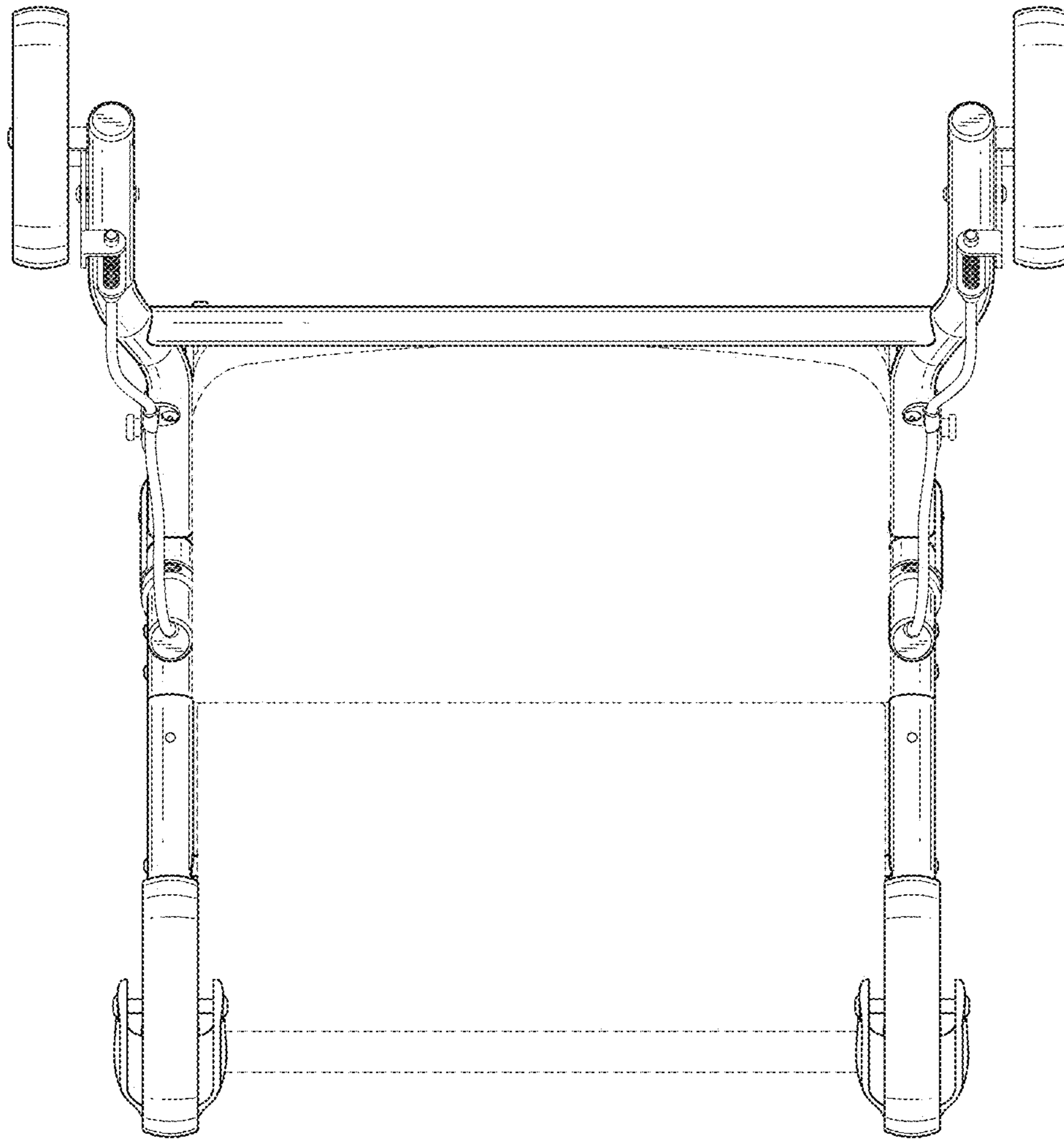


FIG. 15



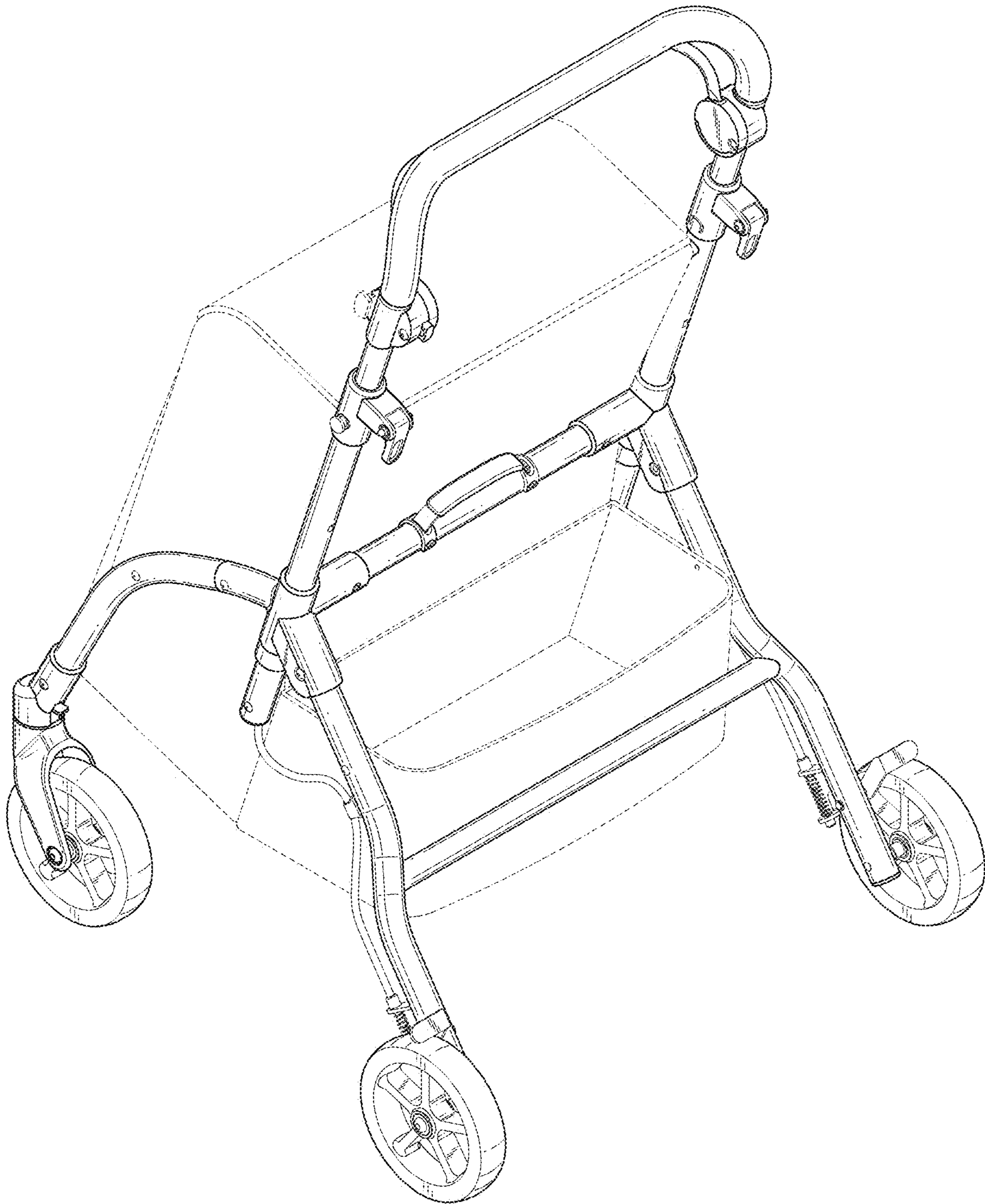


FIG. 16