



US00D960770S

(12) **United States Design Patent**
Jakubowski et al.

(10) **Patent No.:** **US D960,770 S**

(45) **Date of Patent:** **** Aug. 16, 2022**

(54) **CARRIER WITH SUPPORT FRAME**

(71) Applicant: **Vermont Juvenile Furniture Mfg., Inc.**, West Rutland, VT (US)

(72) Inventors: **Chris Jakubowski**, Rutland, VT (US);
Todd M. Jakubowski, Rutland, VT (US); **Kristen Jakubowski**, Rutland, VT (US)

(73) Assignee: **VERMONT JUVENILE FURNITURE MFG., INC.**, West Rutland, VT (US)

(**) Term: **15 Years**

(21) Appl. No.: **29/728,518**

(22) Filed: **Mar. 19, 2020**

(51) **LOC (13) Cl.** **12-12**

(52) **U.S. Cl.**
USPC **D12/129**

(58) **Field of Classification Search**
USPC D12/128, 129, 130, 131, 132, 133;
D34/12, 14, 16, 17, 19, 20, 21, 22, 23,
(Continued)

(56) **References Cited**

U.S. PATENT DOCUMENTS

1,143,774 A * 6/1915 Nicholls B62B 9/14
135/88.02
2,621,358 A * 12/1952 Chrisman B62B 9/20
16/431

(Continued)

FOREIGN PATENT DOCUMENTS

CN 102190012 A 9/2011
CN 103407466 A 11/2013

(Continued)

OTHER PUBLICATIONS

Pet Gear View 360 Stroller, Published Aug. 26, 2021 [online], [retrieved on Oct. 31, 2021]. Retrieved from the Internet: <https://www.youtube.com/watch?v=cLWtkyaQI6E> (Year: 2021).*

(Continued)

Primary Examiner — Cary M Robinson

Assistant Examiner — Adam C Mager

(74) *Attorney, Agent, or Firm* — Volpe Koenig

(57) **CLAIM**

The ornamental design for a carrier with support frame, as shown and described.

DESCRIPTION

FIG. 1 is a top, front, right perspective view of the first embodiment of the carrier installed on the first embodiment of the support frame for the carrier in accordance with our design;

FIG. 2 is a front elevational view thereof;

FIG. 3 is a rear elevational view thereof

FIG. 4 is a left side elevational view thereof;

FIG. 5 is a right side elevational view thereof;

FIG. 6 is a top plan view thereof; and

FIG. 7 is a bottom view thereof.

FIG. 8 is a top, front, right perspective view of the second embodiment of the carrier installed on the second embodiment of the support frame for the carrier in accordance with our design;

FIG. 9 is a front elevational view thereof;

FIG. 10 is a rear elevational view thereof

FIG. 11 is a right side elevational view thereof;

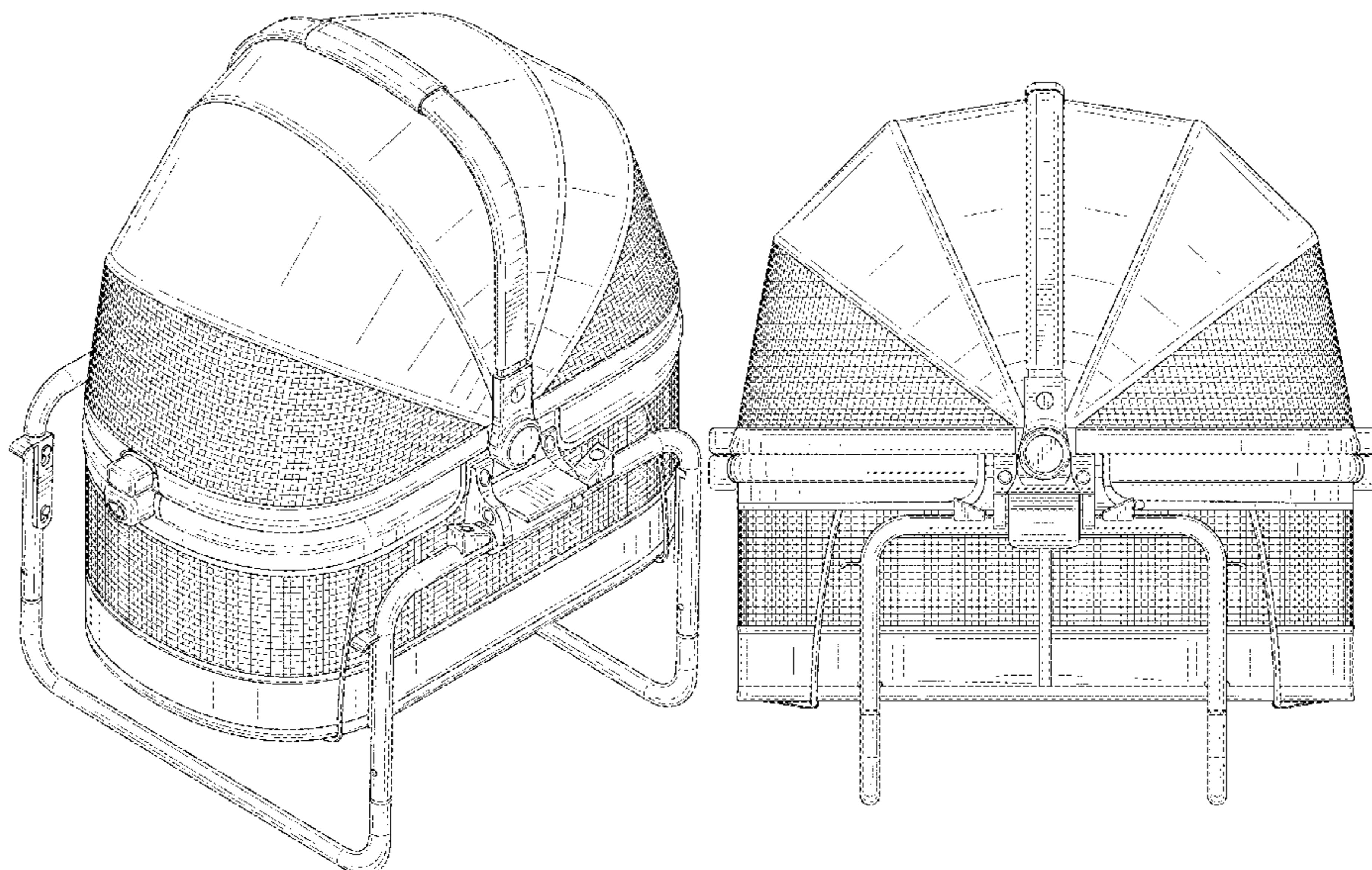
FIG. 12 is a left side elevational view thereof;

FIG. 13 is a top plan view thereof; and,

FIG. 14 is a bottom view thereof.

Broken lines represent portions of the carrier with support frame that form no part of the claimed design.

1 Claim, 14 Drawing Sheets



(58) **Field of Classification Search**

USPC D34/27; D30/108, 109, 113, 114, 115,
D30/116, 117, 118, 119, 120, 151, 199;
D21/419, 421, 534, 535
CPC A01K 1/00; A01K 1/02; A01K 1/0245;
A01K 1/0254; A01K 1/0272; A01K 1/03;
B62B 9/00; B62B 9/10; B62B 9/12;
B62B 9/14; B62B 9/102; B62B 9/104;
B62B 9/106; B62B 9/142; B62B 7/00;
B62B 7/006; B62B 7/02; B62B 7/04;
B62B 7/06; B62B 3/00; B62B 3/022;
B62B 1/00; B62B 1/042

See application file for complete search history.

(56) **References Cited**

U.S. PATENT DOCUMENTS

3,741,579 A * 6/1973 Kirsch B62B 9/18
280/47.38
4,412,688 A 11/1983 Giordani
4,836,573 A * 6/1989 Gebhard B62B 7/147
280/47.38
D308,656 S * 6/1990 Takahashi D12/129
5,074,575 A 12/1991 Bigo
5,201,535 A 4/1993 Kato et al.
5,203,577 A 4/1993 Kato et al.
D344,701 S 3/1994 Church
6,139,046 A 10/2000 Aalund et al.
D438,731 S * 3/2001 Brown D6/333
6,223,691 B1 5/2001 Beattie
D445,965 S * 7/2001 Licciardello D12/129
6,267,404 B1 7/2001 Yang et al.
D453,593 S * 2/2002 Licciardello D30/109
D455,680 S 4/2002 Huang
6,416,076 B1 7/2002 Hou et al.
D475,660 S * 6/2003 Licciardello D12/129
6,584,937 B1 * 7/2003 Ludolph A01K 1/0236
119/453
6,594,840 B2 * 7/2003 Tomas A47D 9/00
5/101
6,766,930 B2 7/2004 Dixon et al.
6,910,709 B2 6/2005 Chen
D510,549 S 10/2005 Kassai et al.
7,011,318 B2 3/2006 Chen
D569,049 S 5/2008 Lin
D574,757 S 8/2008 Chen
7,500,692 B2 3/2009 Espenshade
7,568,450 B2 8/2009 Chen
7,665,421 B2 2/2010 Martz
7,862,069 B2 1/2011 King
D646,208 S * 10/2011 Ohnishi D12/133
D654,406 S 2/2012 Henry
8,186,705 B2 5/2012 Greger et al.
8,360,498 B1 1/2013 Ostad et al.
8,651,502 B2 2/2014 Winterhalter et al.
8,708,364 B2 4/2014 Gower et al.
9,108,659 B2 8/2015 Sparling
D757,370 S * 5/2016 Jakubowski D30/109
D801,592 S * 10/2017 Jakubowski D30/109
D808,084 S 1/2018 Lu
D815,567 S 4/2018 Oakes
D815,568 S * 4/2018 Oakes D12/129
D826,794 S * 8/2018 Walker D12/129

D827,939 S 9/2018 Jakubowski et al.
D833,918 S 11/2018 Gopaul
D836,498 S * 12/2018 Hauser D12/129
D840,280 S * 2/2019 Zhou D12/129
D849,607 S * 5/2019 Tomasi D12/129
D855,899 S 8/2019 Jakubowski et al.
D856,602 S 8/2019 Lu
D869,099 S 12/2019 Lu
D869,344 S 12/2019 Oakes
D882,184 S * 4/2020 Jakubowski D30/109
D886,535 S * 6/2020 Zemel D7/602
D897,909 S * 10/2020 Xiang D12/129
D899,006 S * 10/2020 Chen D30/109
2006/0169218 A1 8/2006 Chang
2011/0056441 A1 * 3/2011 Chang A01K 1/0245
119/453
2013/0113185 A1 5/2013 Zehfuss
2014/0230747 A1 * 8/2014 Jakubowski B62B 9/26
119/496
2016/0229439 A1 8/2016 Zhong
2018/0022371 A1 * 1/2018 Jakubowski B62B 5/0013
280/641
2018/0043917 A1 * 2/2018 Plested B62B 9/20
2018/0132446 A1 5/2018 Jakubowski et al.
2019/0002007 A1 * 1/2019 Xiang B62B 9/12
2019/0133073 A1 5/2019 Lu
2020/0236895 A1 7/2020 Cheung
2020/0247453 A1 * 8/2020 Gibson B62B 7/06
2020/0296919 A1 * 9/2020 Jakubowski A01K 1/0245
2021/0022314 A1 * 1/2021 Xiang B62B 7/062

FOREIGN PATENT DOCUMENTS

CN 203876796 U 10/2014
CN 105882721 A 8/2016
CN 206005460 U 3/2017
CN 208113692 11/2018
GB 2511200 A 8/2014

OTHER PUBLICATIONS

Pet Gear View 360 Pet Stroller 3-in-1, Published Jun. 29, 2020 [online], [retrieved on Nov. 1, 2021]. Retrieved from the Internet: <https://www.amazon.com/Pet-Gear-Stroller-Carrier-PG8140NZJB/dp/B08C2CFM8D?th=1> (Year: 2020).*
HPZ Pet Rover Prime 3-in-1, Published date unavailable [online], [retrieved on Nov. 1, 2021]. Retrieved from the Internet: <https://www.amazon.com/Stroller-Carrier-Pump-Free-Aluminum-Reversible/dp/B08S731X6V?th=1> (Year: 2021).*
Utopian pet four wheel pet stroller, <https://lots-of-pets.myshopify.com/products/utopian-pet-four-wheel-stroller-color-olive>.
Ibiyaya elegant retro I, <https://www.amazon.com/ibiyaya-FS1202-NB-Elegant-Retro-Stroller/dp/B00M10AUEE>.
Paws & Pals 4 Wheel 2-In-1 Stroller & Carrier, <https://www.chewy.com/paws-pals-2-in-1-detachable-dog-cat/dp/217526>.
Aosom Elite-Jr Dog Pet Bike Trailer / Stroller with Swivel Wheel—Red / Black, <https://www.aosom.com/item/aosom-elite-jr-dog-pet-bike-trailer-stroller-w-swivel-wheel-red-black~5663-1334R-B.html>.
HPZ PetRover USA, 3-in-1 Pet Travel System, New 2019 Model, 6 pgs.

* cited by examiner

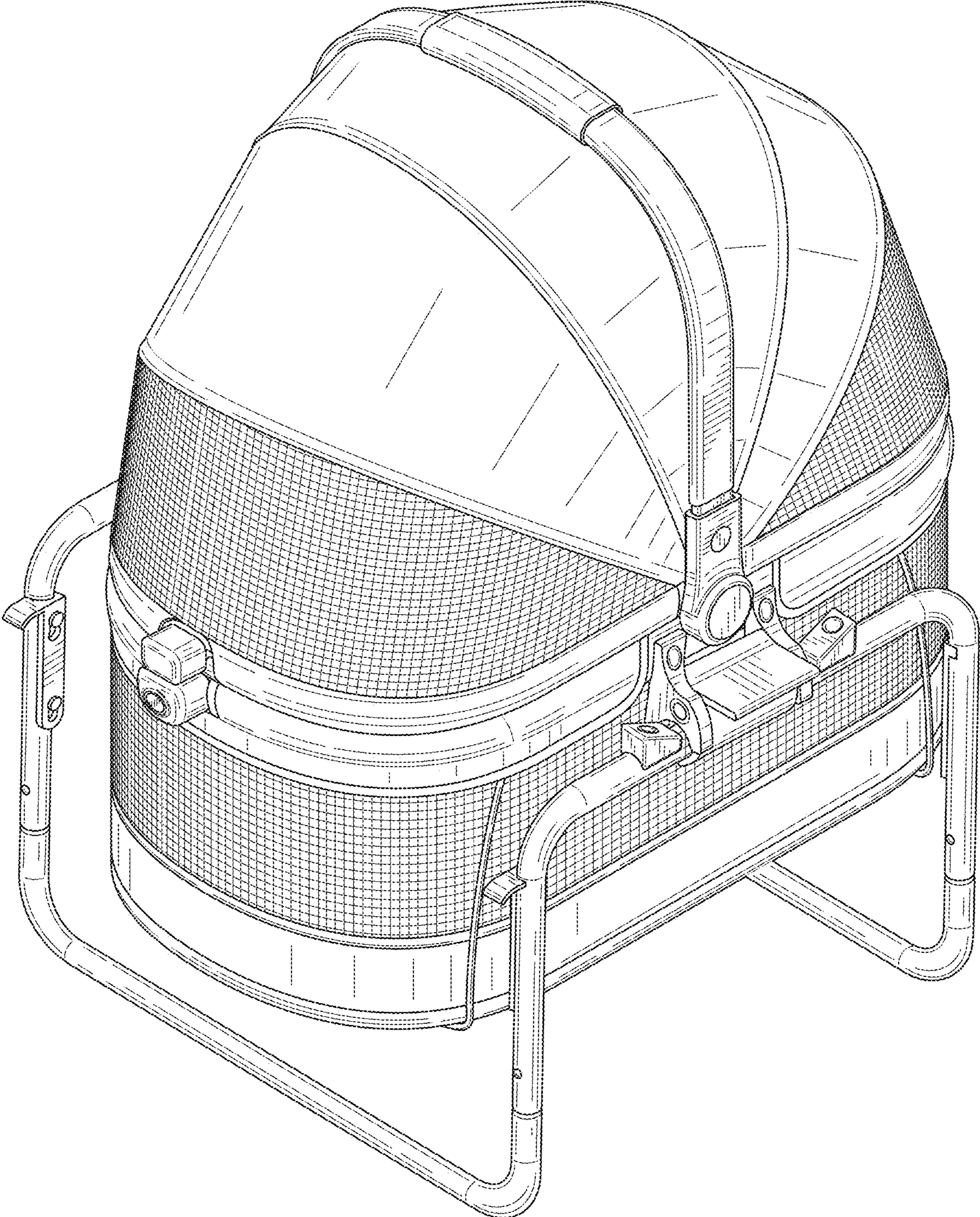


FIG. 1

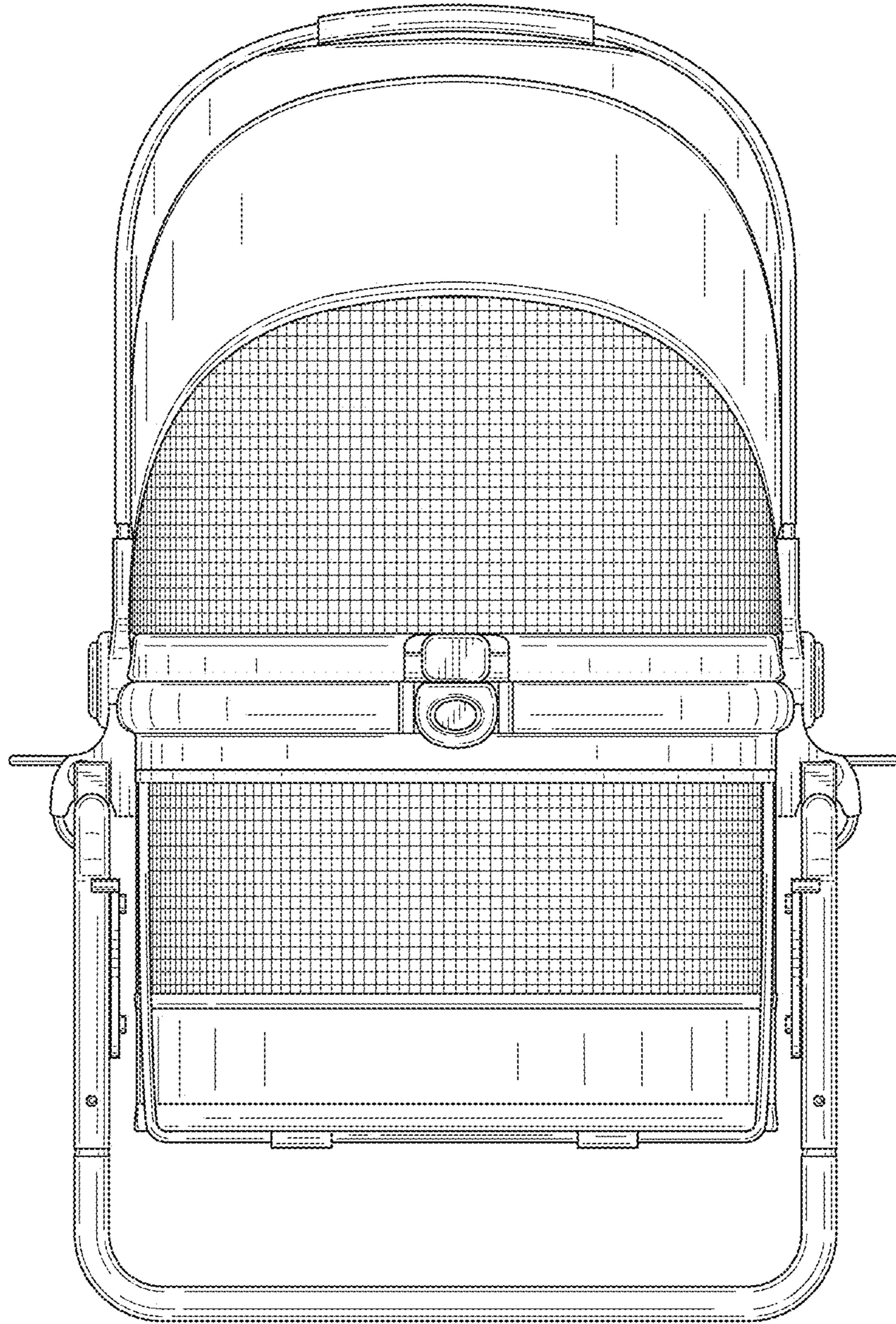


FIG. 2

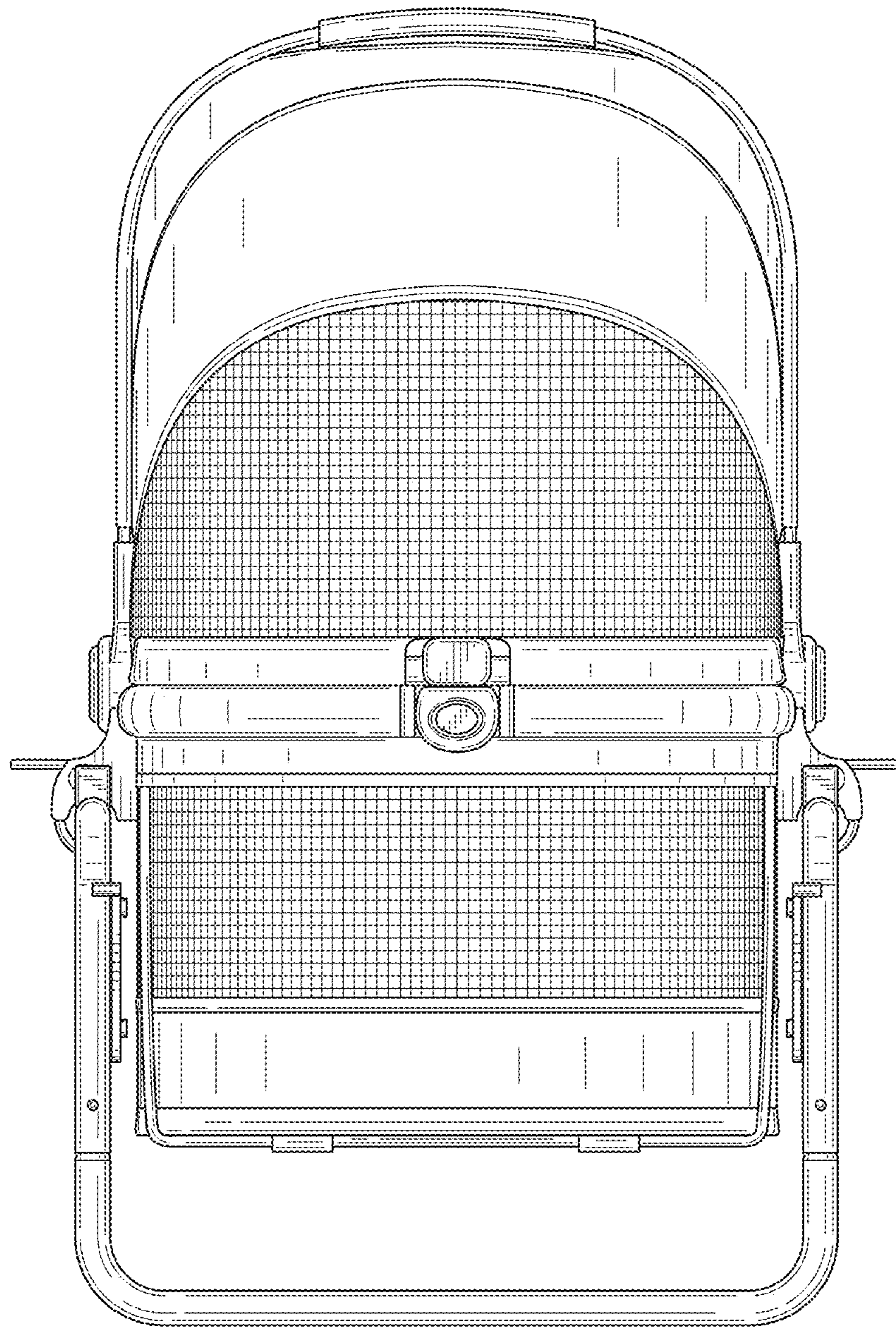


FIG. 3

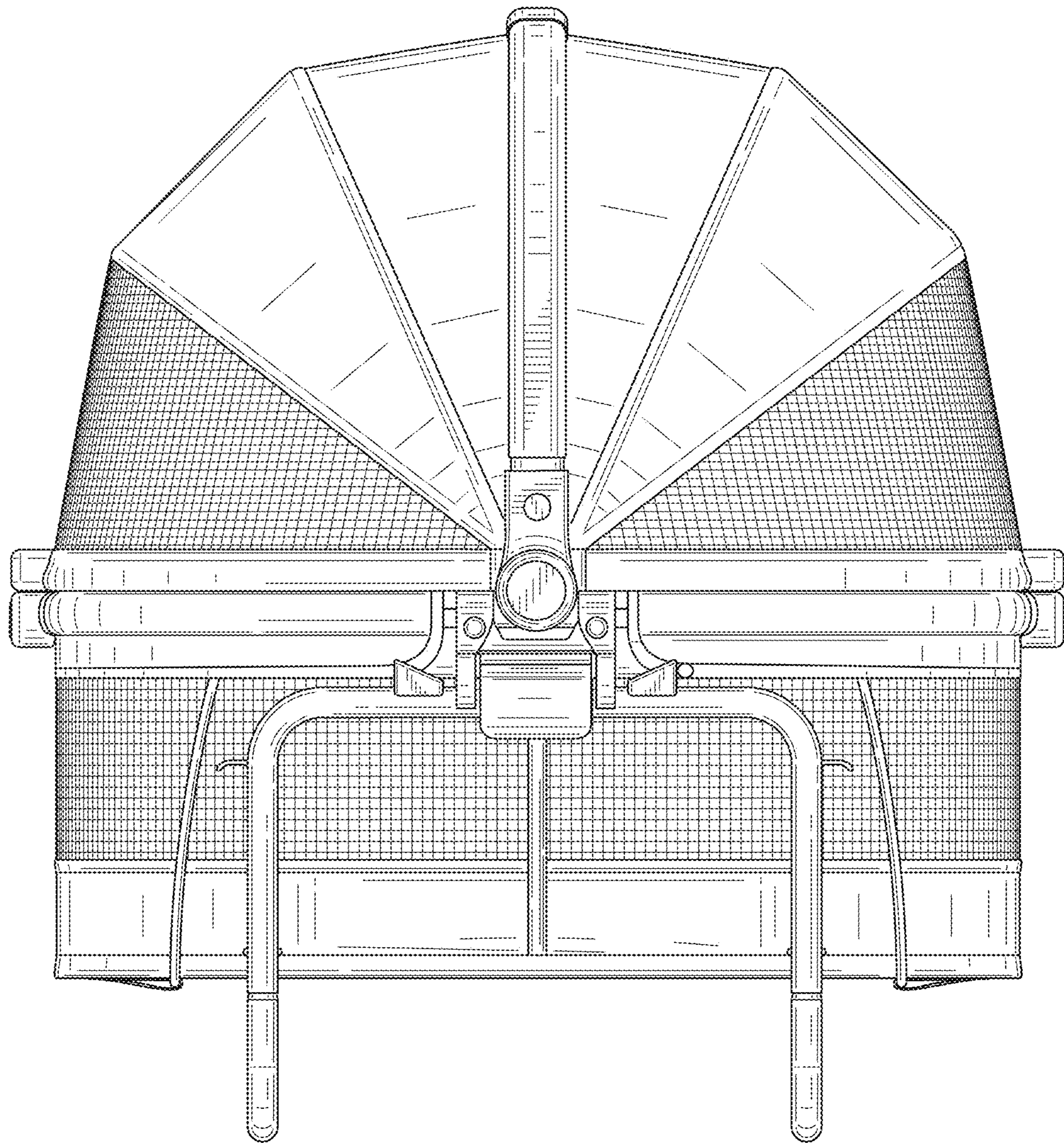


FIG. 4

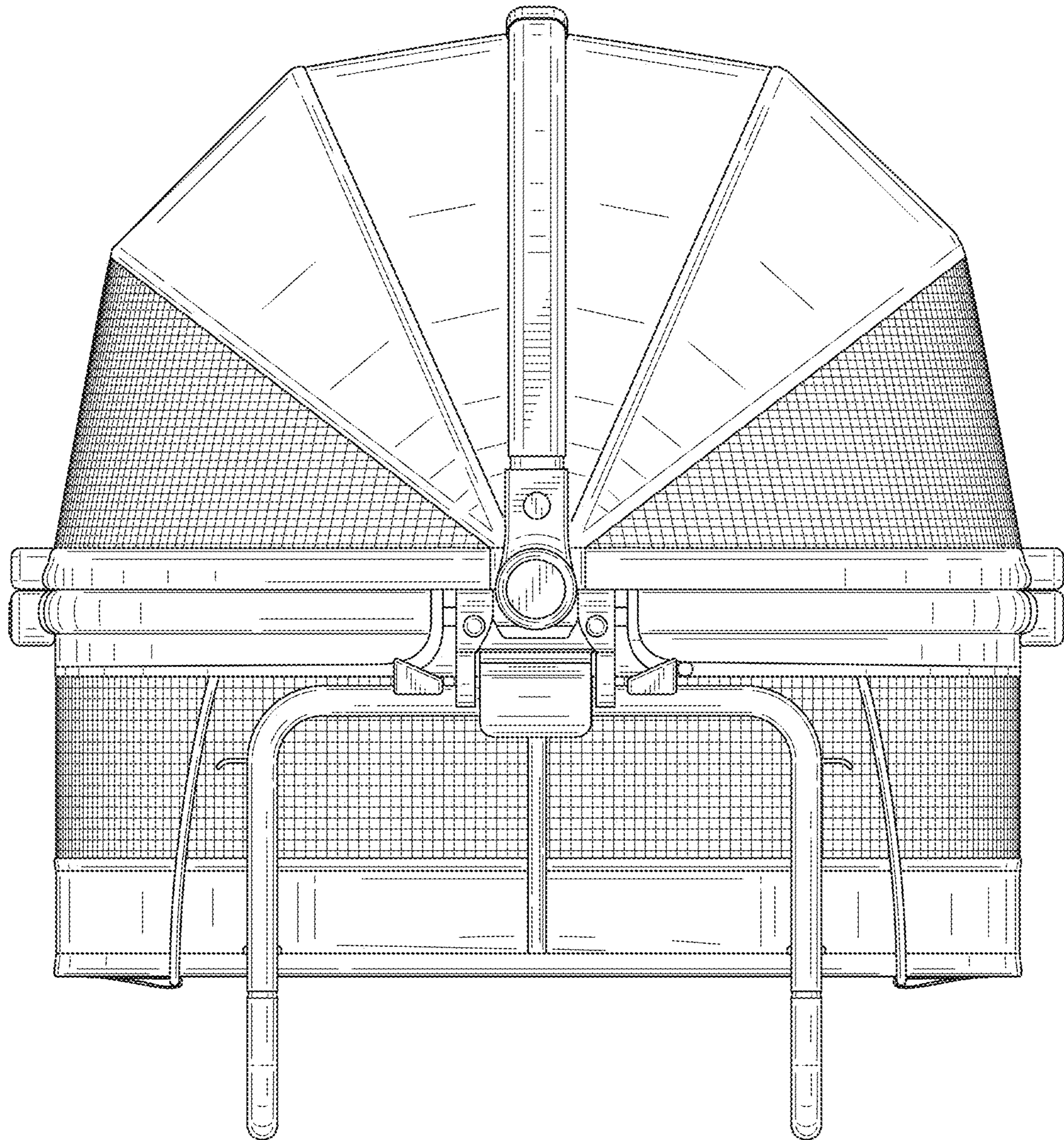


FIG. 5

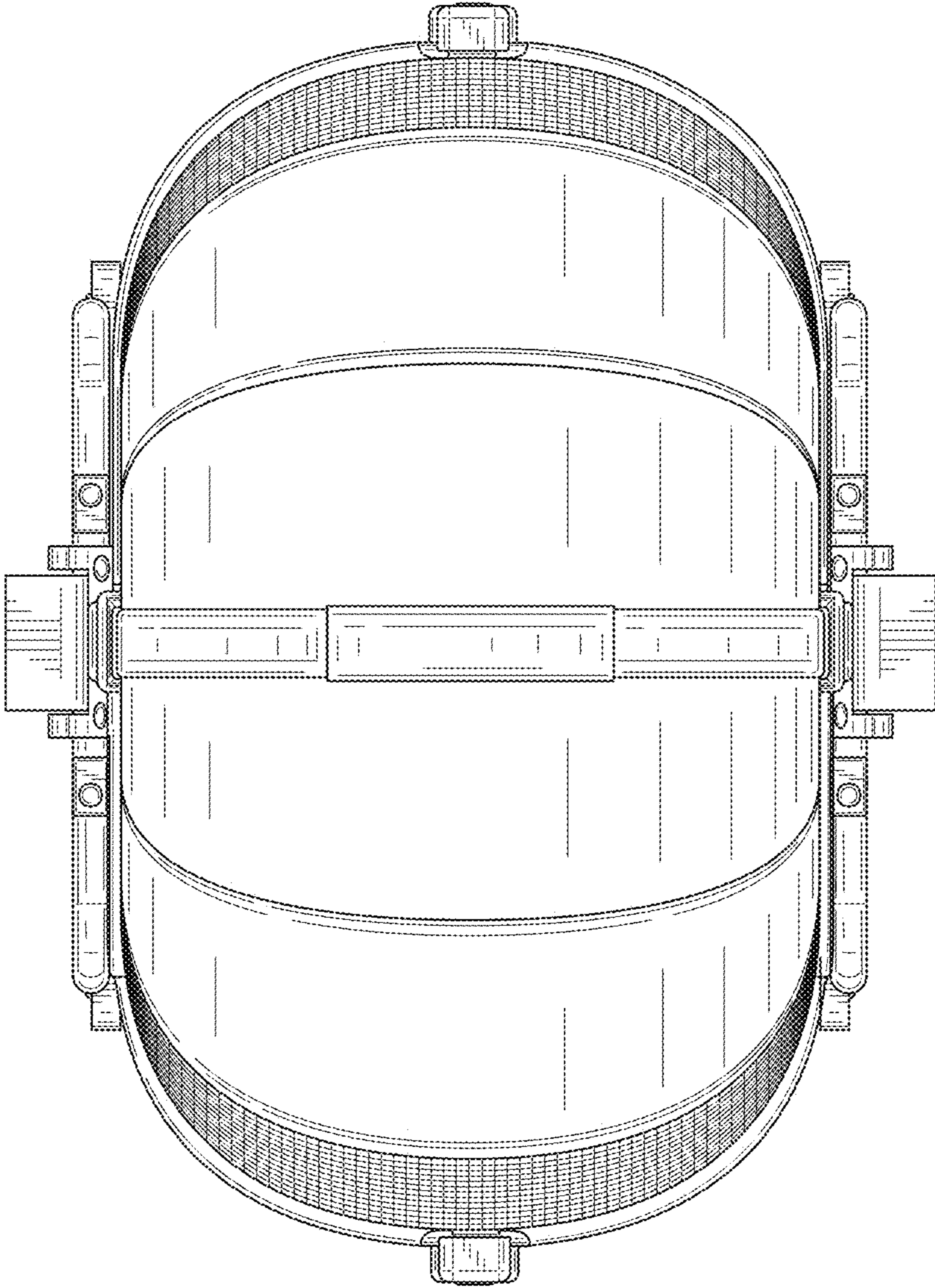


FIG. 6

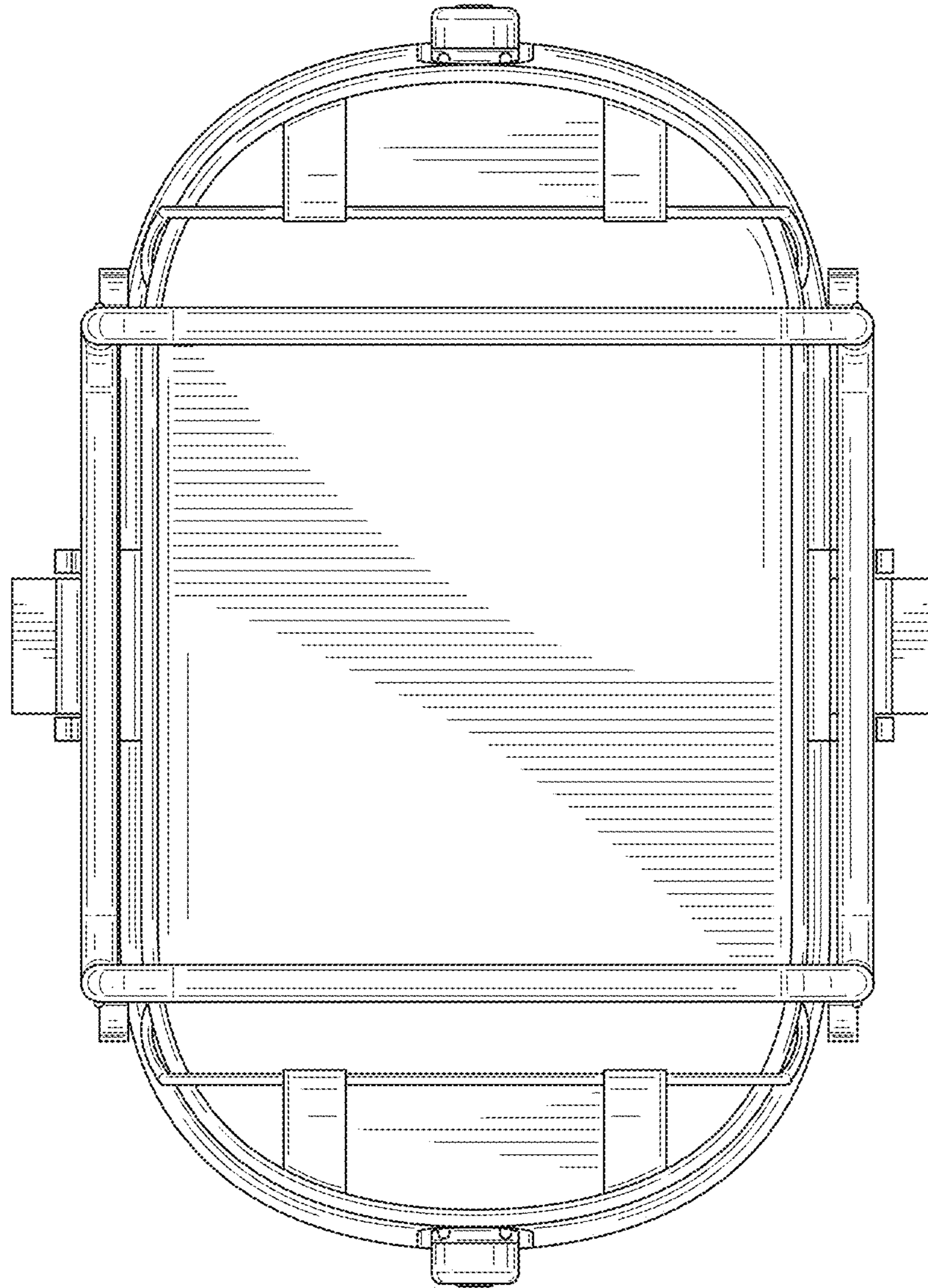


FIG. 7

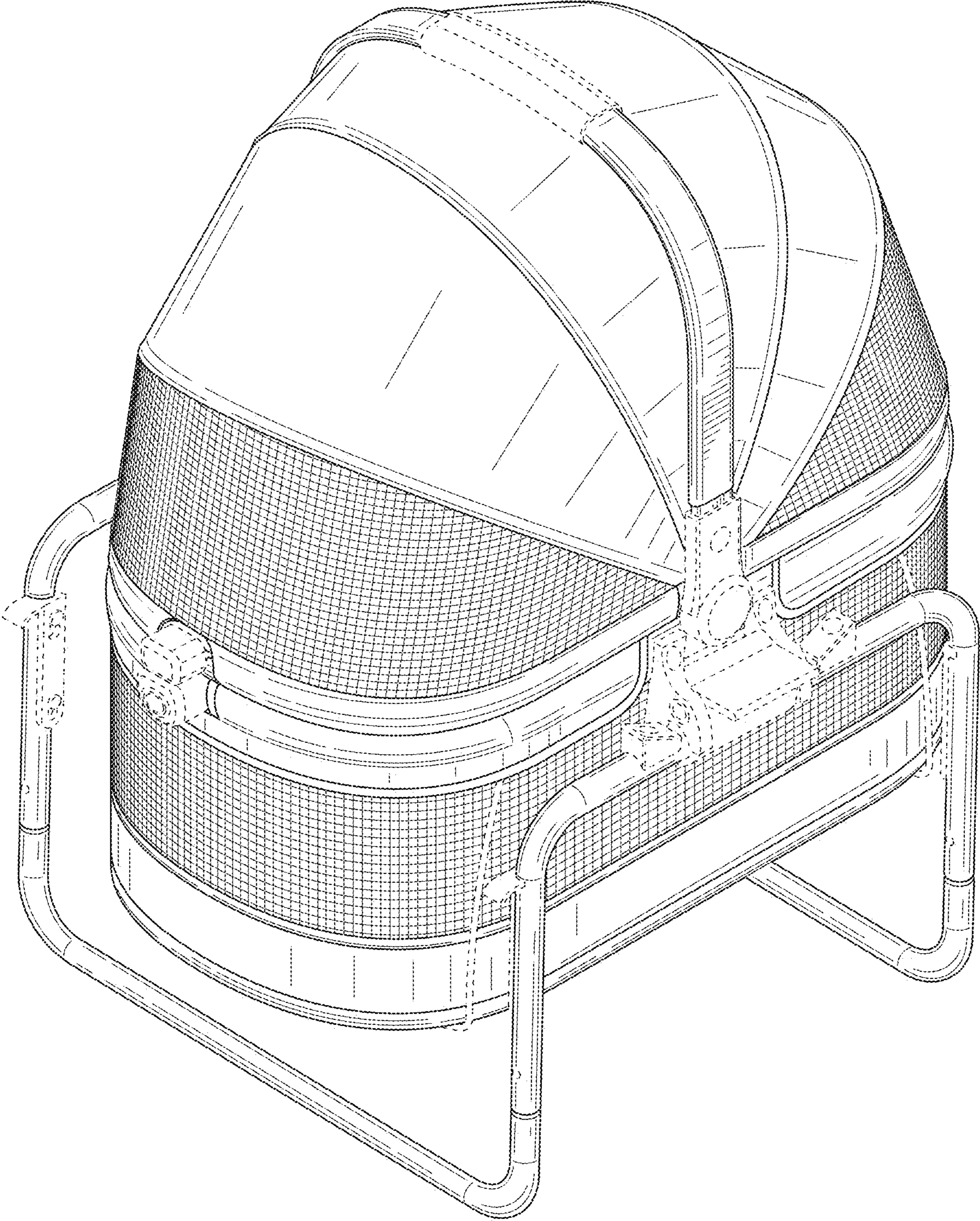


FIG. 8

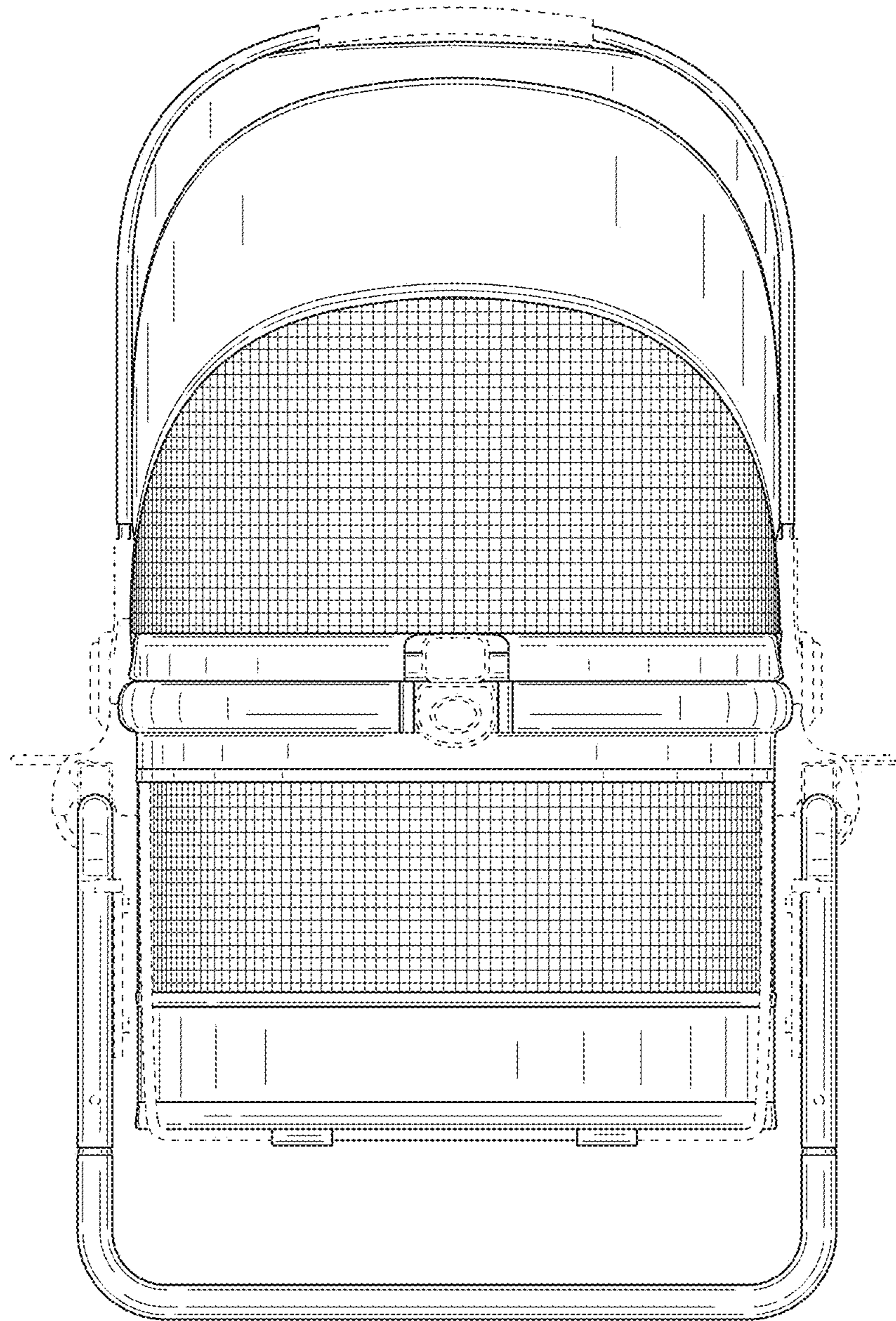


FIG. 9

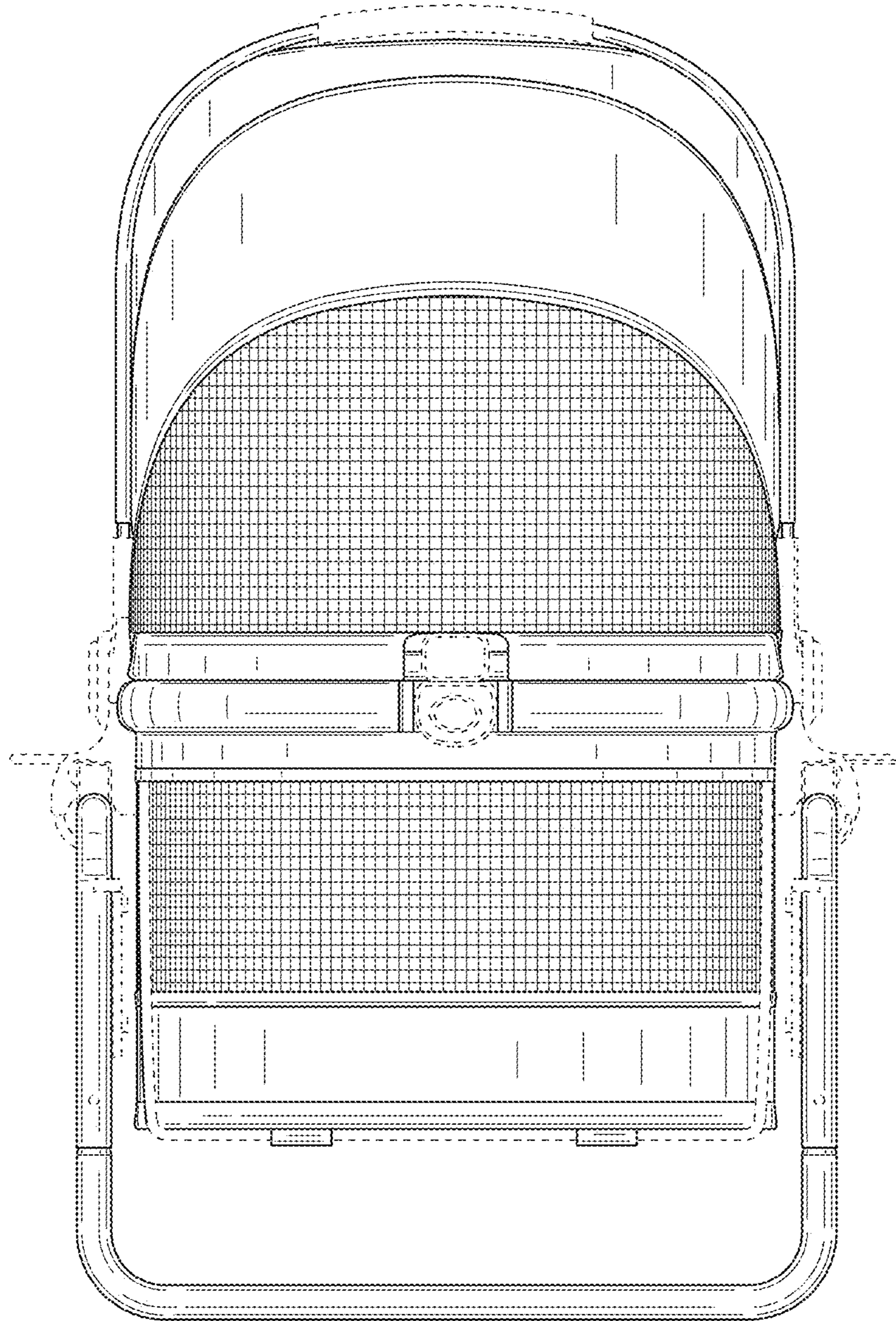


FIG. 10

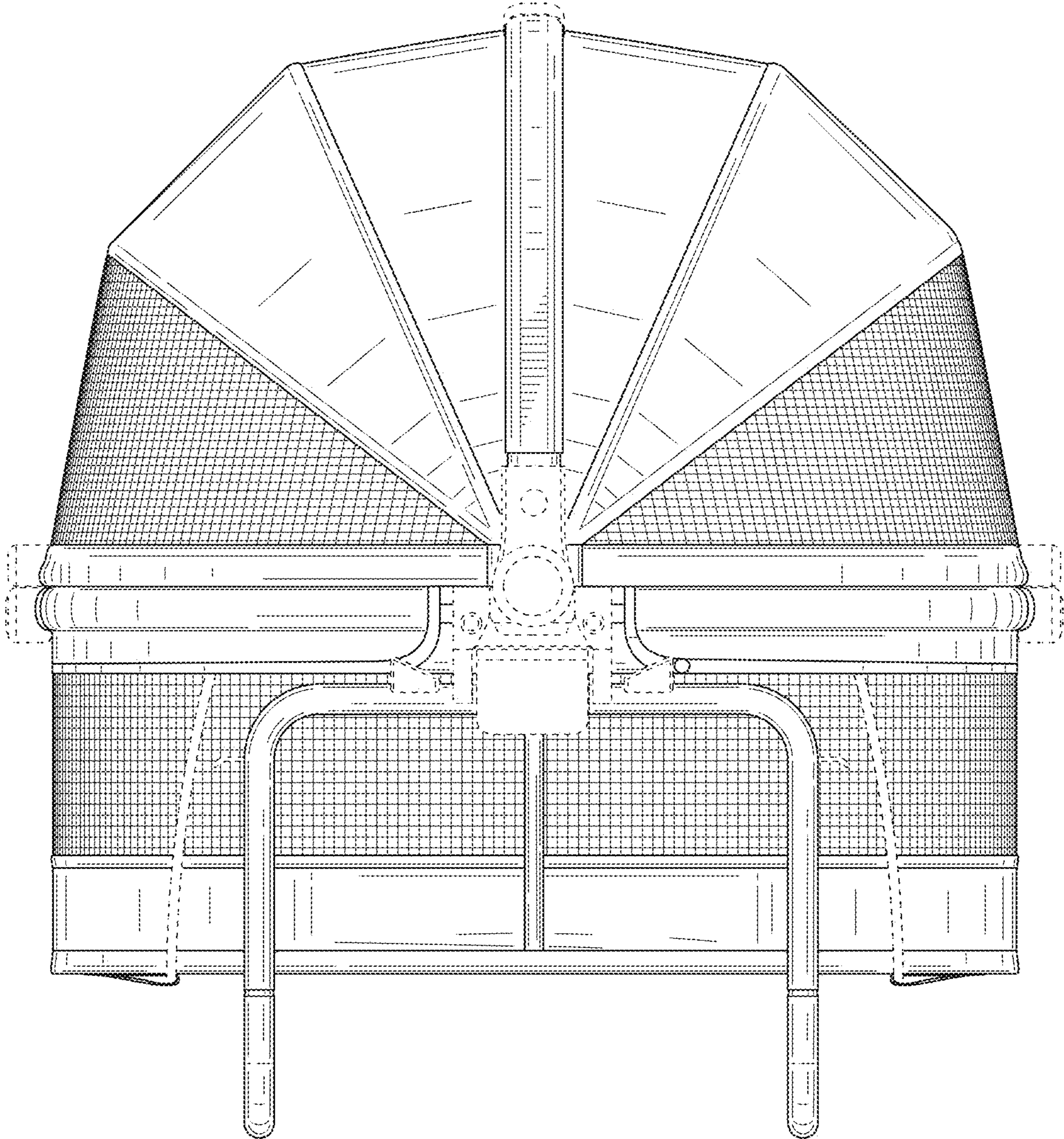


FIG. 11

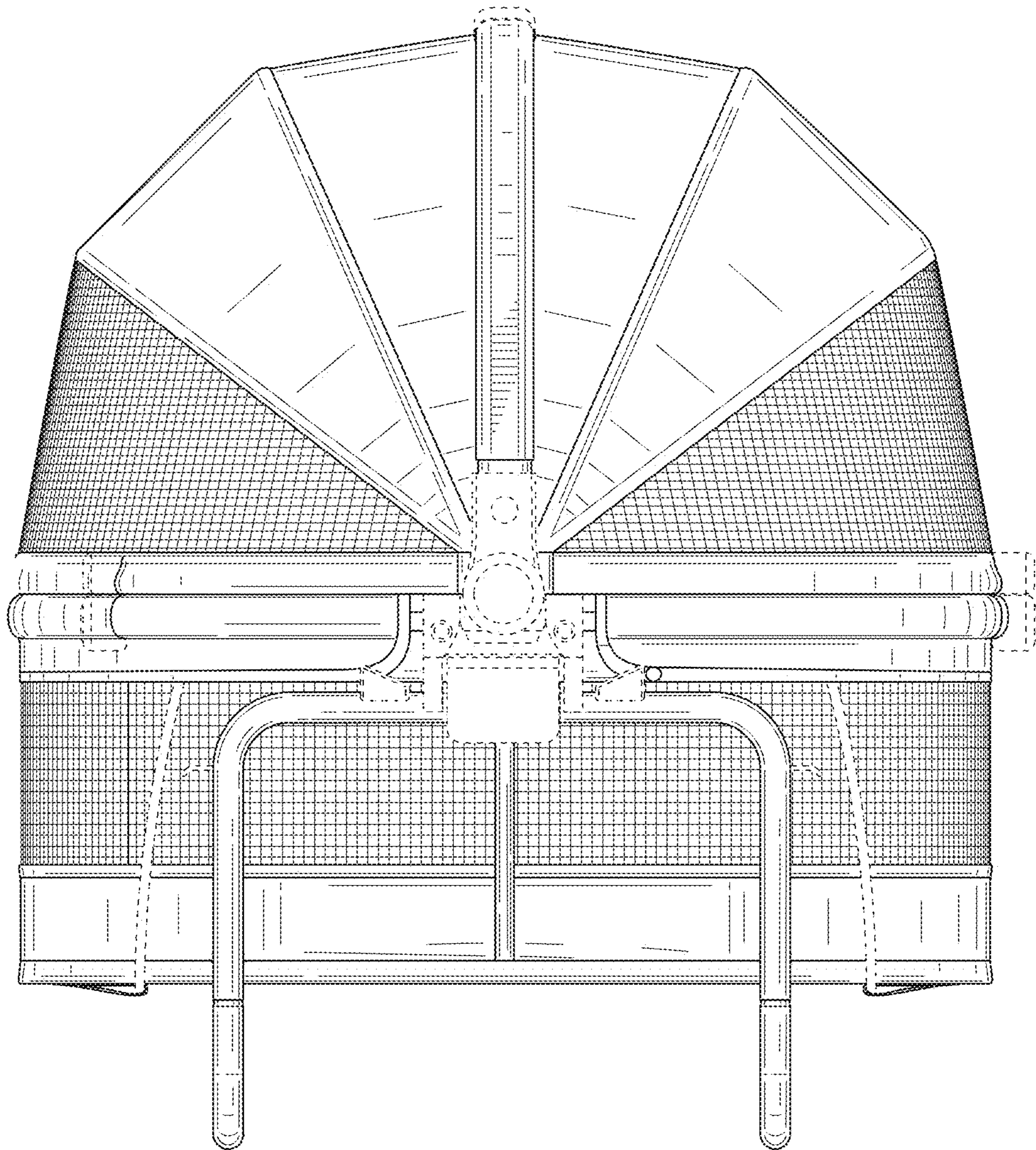


FIG. 12

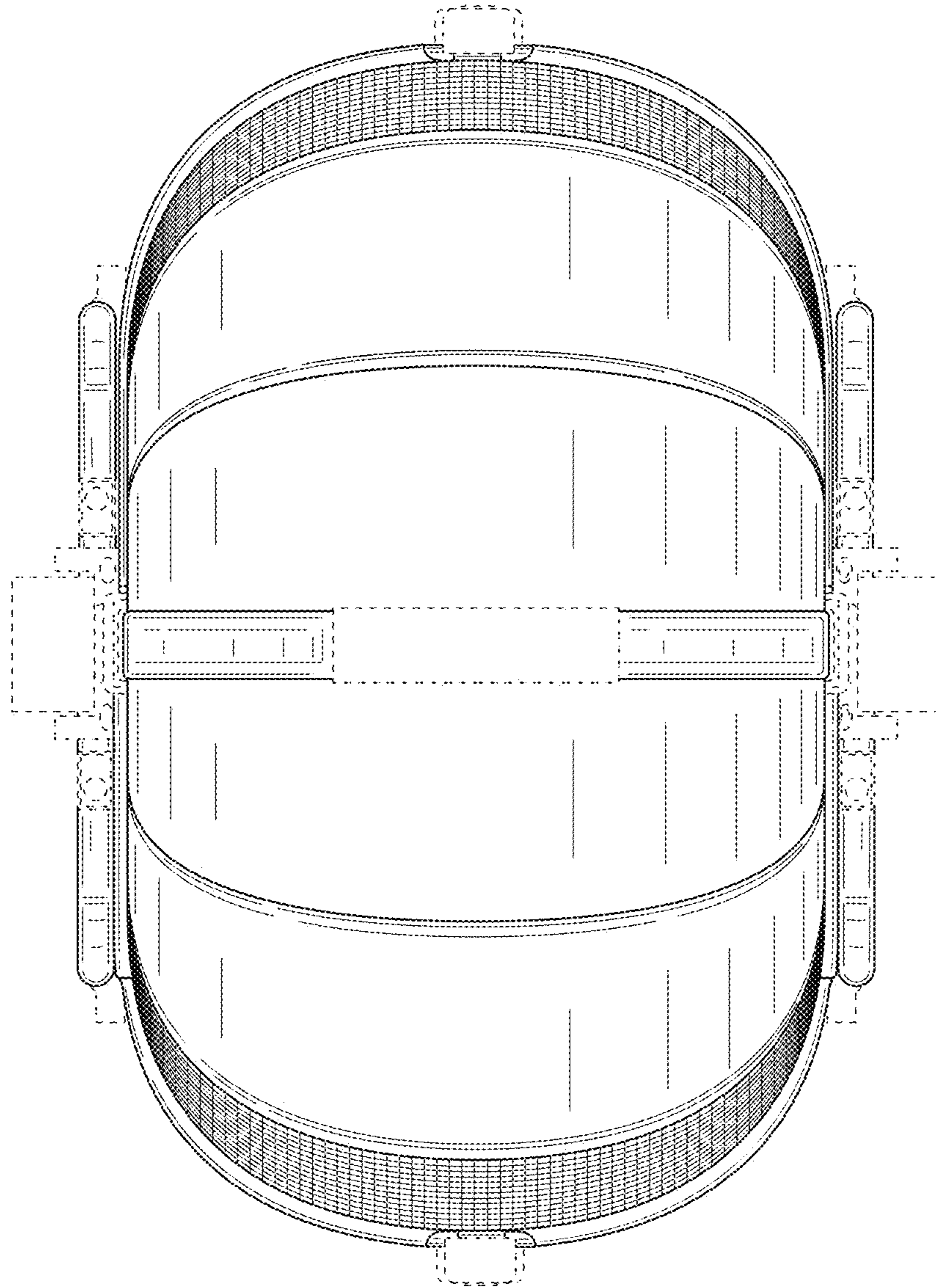


FIG. 13

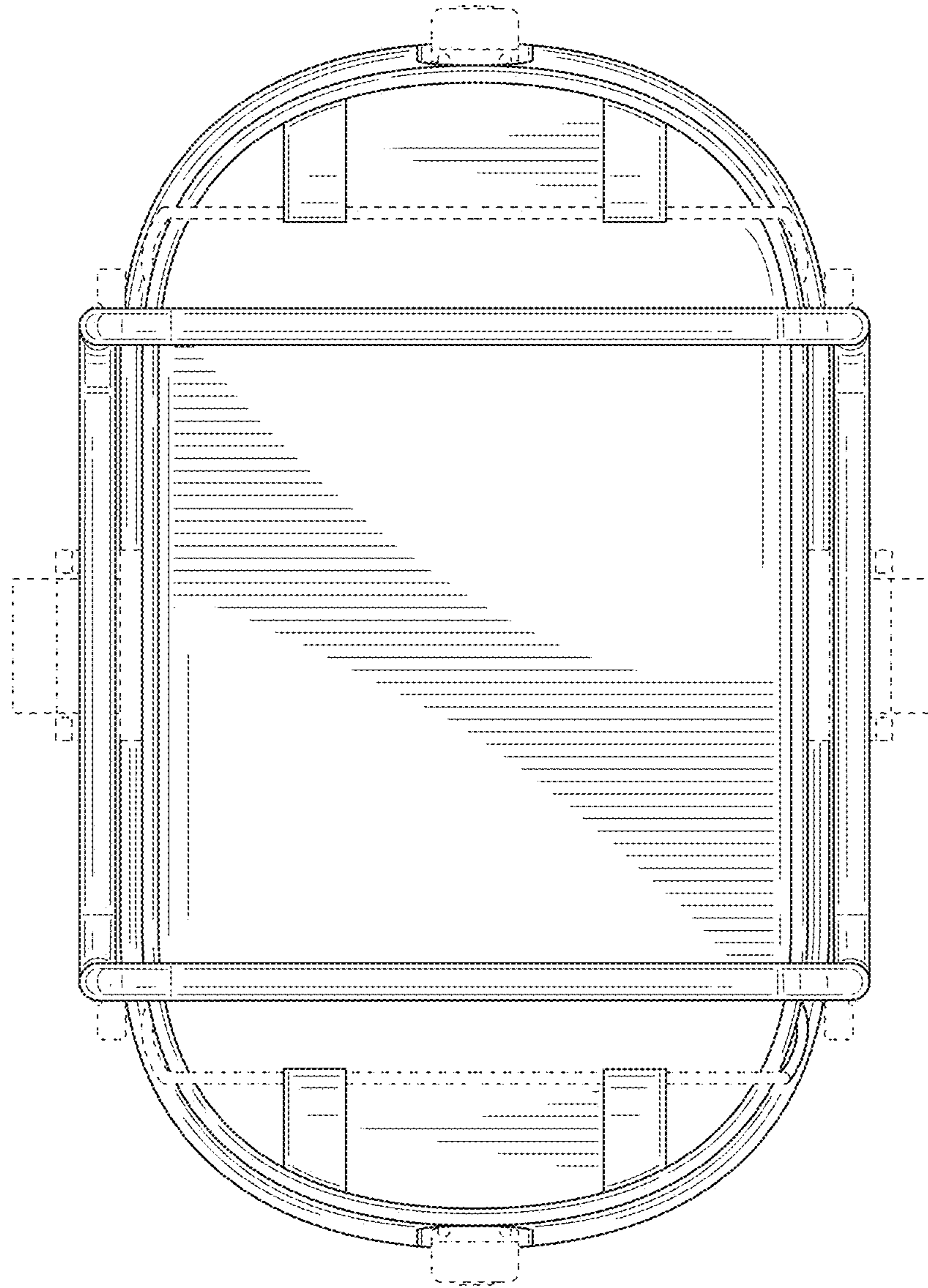


FIG. 14