

US00D960769S

(12) **United States Design Patent**
Chen

(10) **Patent No.:** **US D960,769 S**

(45) **Date of Patent:** **** Aug. 16, 2022**

(54) **ELECTRIC BICYCLE**

(71) Applicant: **GUANGZHOU LIESHENG TRADING CO., LTD.**, Guangzhou (CN)

(72) Inventor: **Yonglie Chen**, Shanwei (CN)

(73) Assignee: **GUANGZHOU LIESHENG TRADING CO., LTD.**, Guangzhou (CN)

(**) Term: **15 Years**

(21) Appl. No.: **29/795,432**

(22) Filed: **Jun. 18, 2021**

(51) **LOC (13) Cl.** **12-11**

(52) **U.S. Cl.**
USPC **D12/111**

(58) **Field of Classification Search**
USPC **D12/107, 110, 111, 114, 117; D21/432, D21/538**

CPC **B62K 11/00; B62K 11/02; B62K 11/04; B62K 11/10; B62K 17/00; B62K 19/00; B62K 2202/00**

See application file for complete search history.

(56) **References Cited**

U.S. PATENT DOCUMENTS

D245,001 S * 7/1977 Hori D12/110
D253,102 S * 10/1979 Hahn D12/110

(Continued)

Primary Examiner — Michelle E. Wilson

Assistant Examiner — Clese Moore, Jr.

(57) **CLAIM**

The ornamental design for an electric bicycle, as shown and described.

DESCRIPTION

FIG. 1 is a perspective view of an electric bicycle showing my new design;

FIG. 2 is another perspective view thereof;

FIG. 3 is a front elevational view thereof;

FIG. 4 is a rear elevational view thereof;

FIG. 5 is a left side elevational view thereof;

FIG. 6 is a right side elevational view thereof;

FIG. 7 is a top plan view thereof;

FIG. 8 is a bottom plan view thereof;

FIG. 9 is an enlarged view of portion 9 shown in FIG. 1;

FIG. 10 is an enlarged view of portion 10 shown in FIG. 1;

FIG. 11 is an enlarged view of portion 11 shown in FIG. 1;

FIG. 12 is an enlarged view of portion 12 shown in FIG. 1;

FIG. 13 is an enlarged view of portion 13 shown in FIG. 1;

FIG. 14 is an enlarged view of portion 14 shown in FIG. 1;

FIG. 15 is an enlarged view of portion 15 shown in FIG. 1;

FIG. 16 is an enlarged view of portion 16 shown in FIG. 2;

FIG. 17 is an enlarged view of portion 17 shown in FIG. 2;

FIG. 18 is an enlarged view of portion 18 shown in FIG. 2;

FIG. 19 is an enlarged view of portion 19 shown in FIG. 2;

FIG. 20 is an enlarged view of portion 20 shown in FIG. 2;

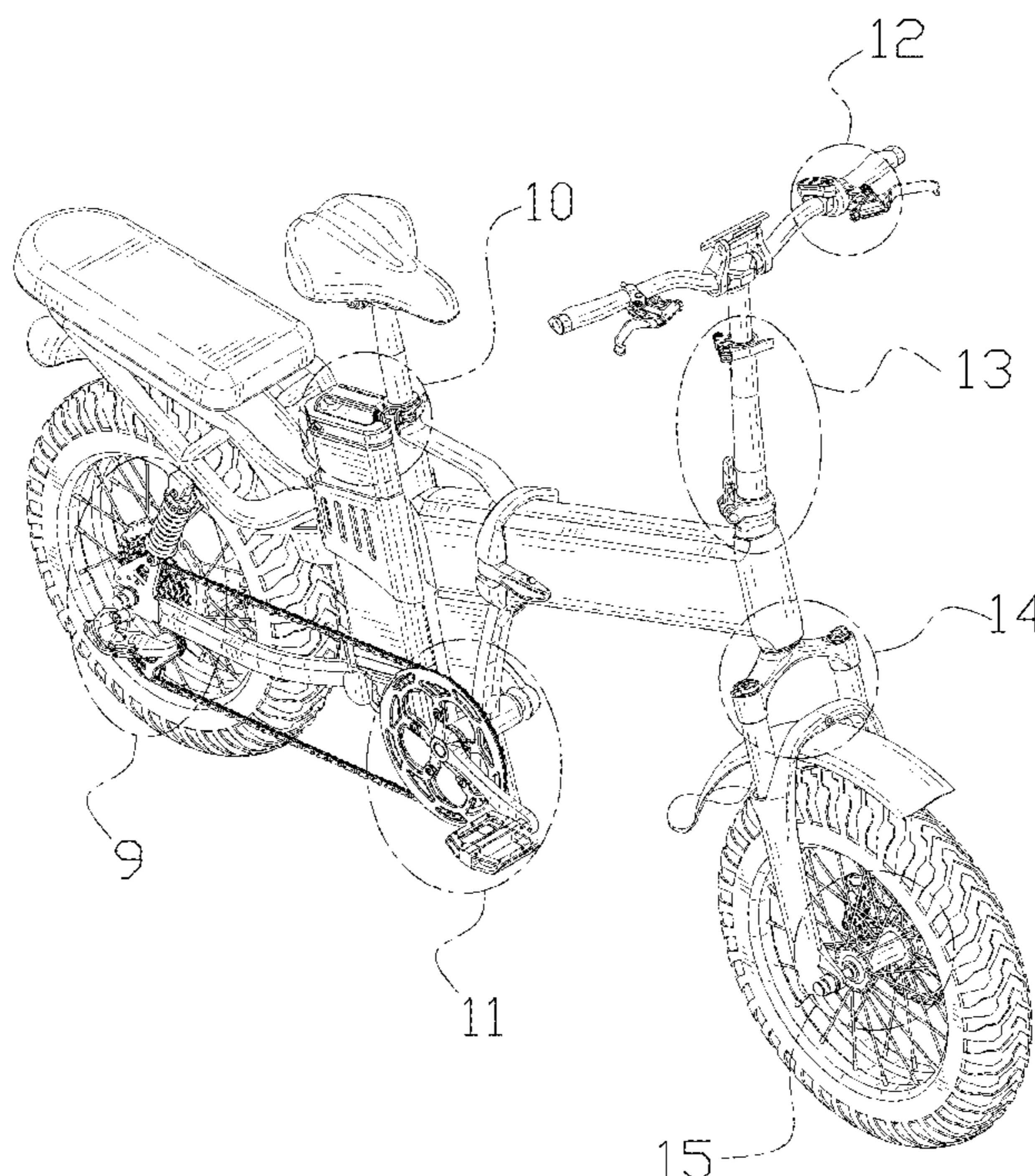
FIG. 21 is an enlarged view of portion 21 shown in FIG. 5;

and,

FIG. 22 is an enlarged view of portion 22 shown in FIG. 8.

The dash-dash broken lines in the drawings depict portions of the electric bicycle that form no part of the claimed design. The dash-dot-dash broken lines in the drawings depict boundaries of the enlarge areas that form no part of the claimed design.

1 Claim, 22 Drawing Sheets



(56)

References Cited

U.S. PATENT DOCUMENTS

D263,038	S *	2/1982	Kobayashi	D12/110
D274,611	S *	7/1984	Nakano	D12/110
D302,801	S *	8/1989	Lacroix	D12/110
D485,512	S *	1/2004	Liu	D12/111
D498,438	S *	11/2004	Ying	D12/111
D538,714	S *	3/2007	Okuyama	D12/110
D620,400	S *	7/2010	Haller	D12/111
D620,401	S *	7/2010	Haller	D12/111
D621,302	S *	8/2010	Tanaka	D12/111
D640,607	S *	6/2011	Schoonhoven	D12/111
D665,707	S *	8/2012	Hecken	D12/111
D727,214	S *	4/2015	Yang	D12/111
D727,215	S *	4/2015	Yang	D12/111
D756,264	S *	5/2016	Thompson	D12/11
D774,971	S	12/2016	Lambri et al.	
D774,972	S *	12/2016	Lambri	D12/111
D797,609	S *	9/2017	Gonzalez-Gancedo Carrillo- Albornoz	D12/111
D807,233	S *	1/2018	Zhang	D12/111
D833,333	S *	11/2018	Yu	D12/111
D843,269	S *	3/2019	Shi	D12/111
D890,633	S *	7/2020	Zhou	D12/111
D903,532	S *	12/2020	Ma	D12/111
D910,496	S *	2/2021	Zhu	D12/111
D917,349	S	4/2021	Fan et al.	
D918,778	S *	5/2021	Shi	D12/111
2014/0209400	A1 *	7/2014	Yao	B62M 6/45 180/167

* cited by examiner

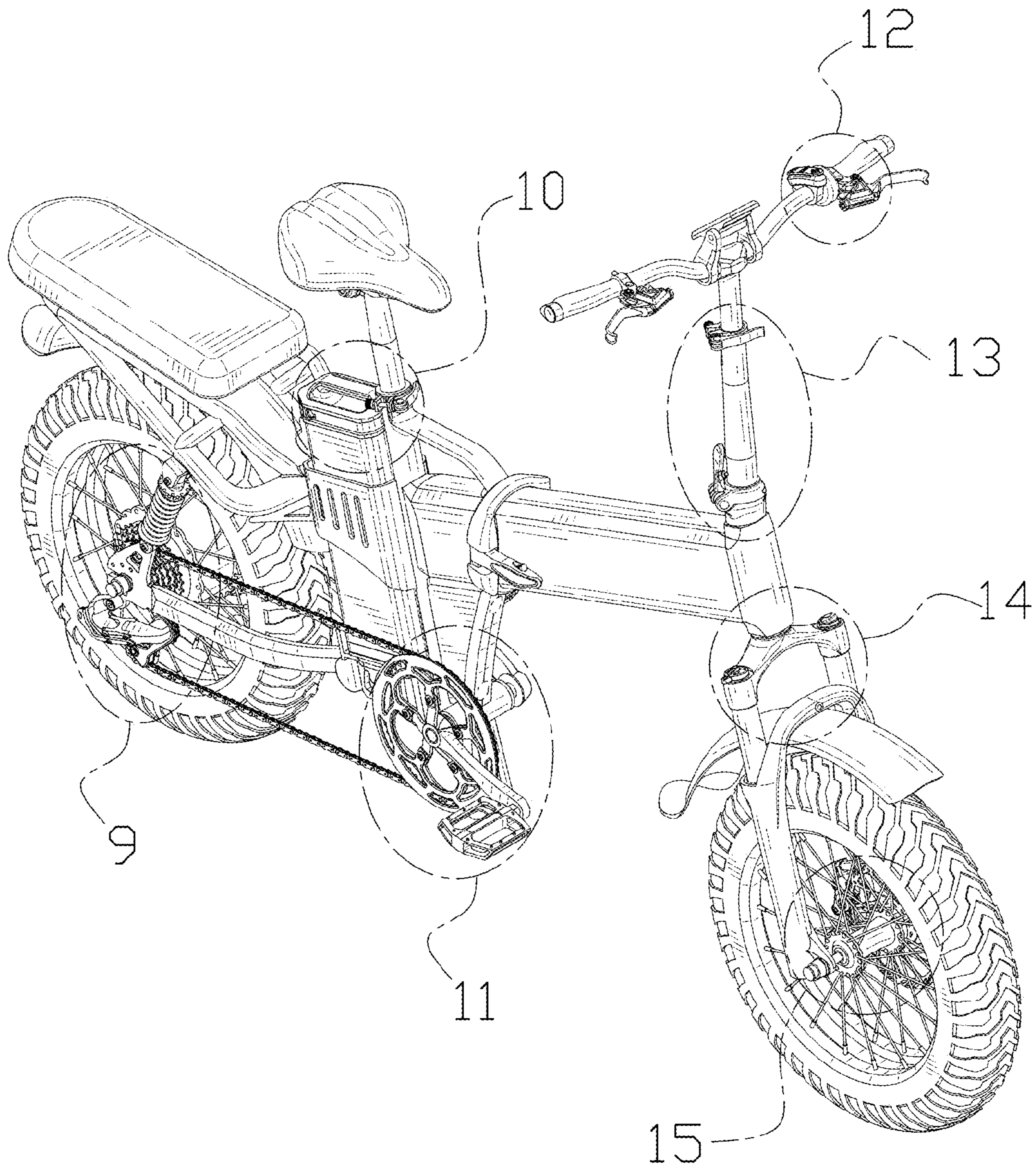


FIG. 1

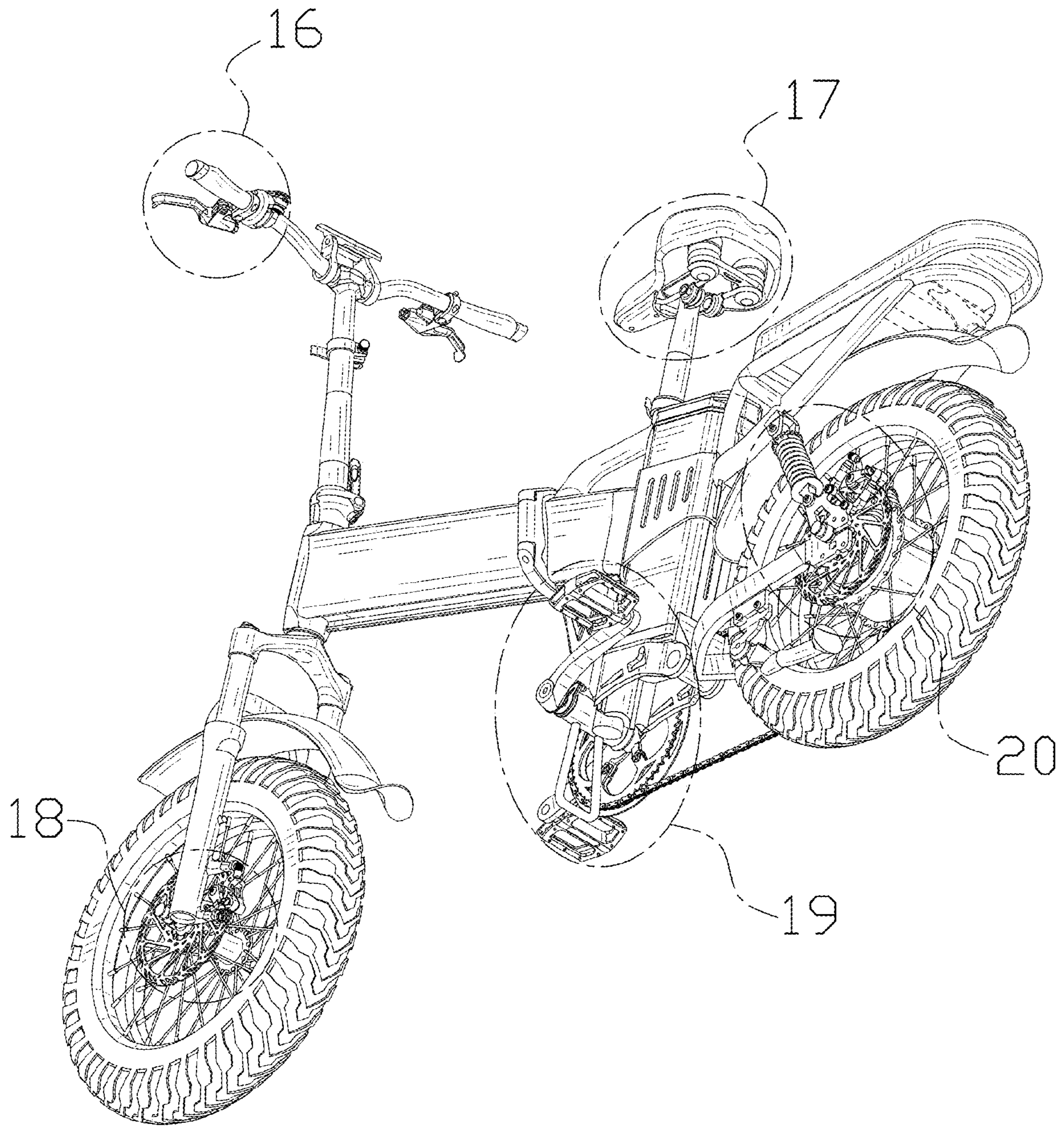


FIG. 2

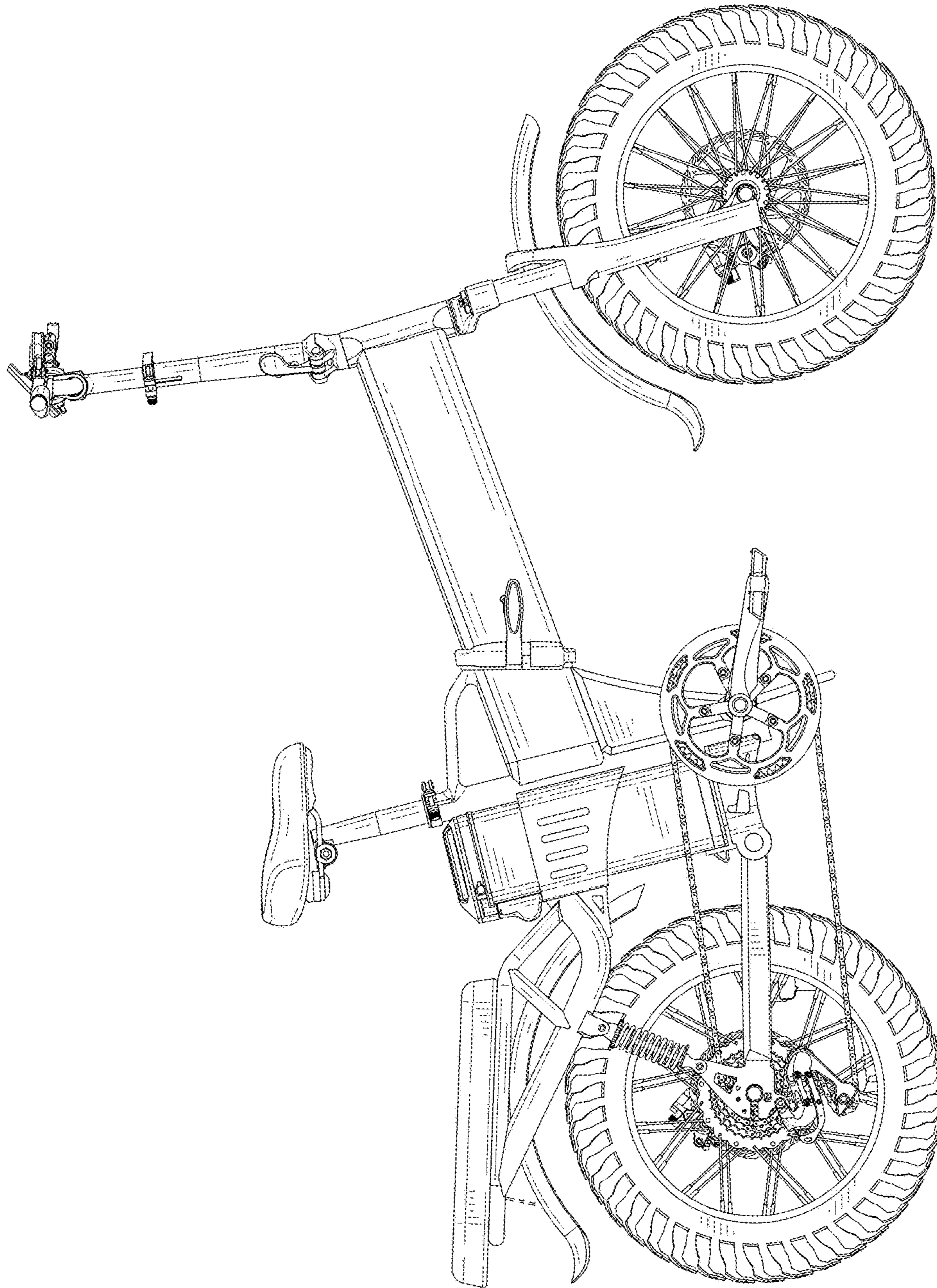


FIG. 3

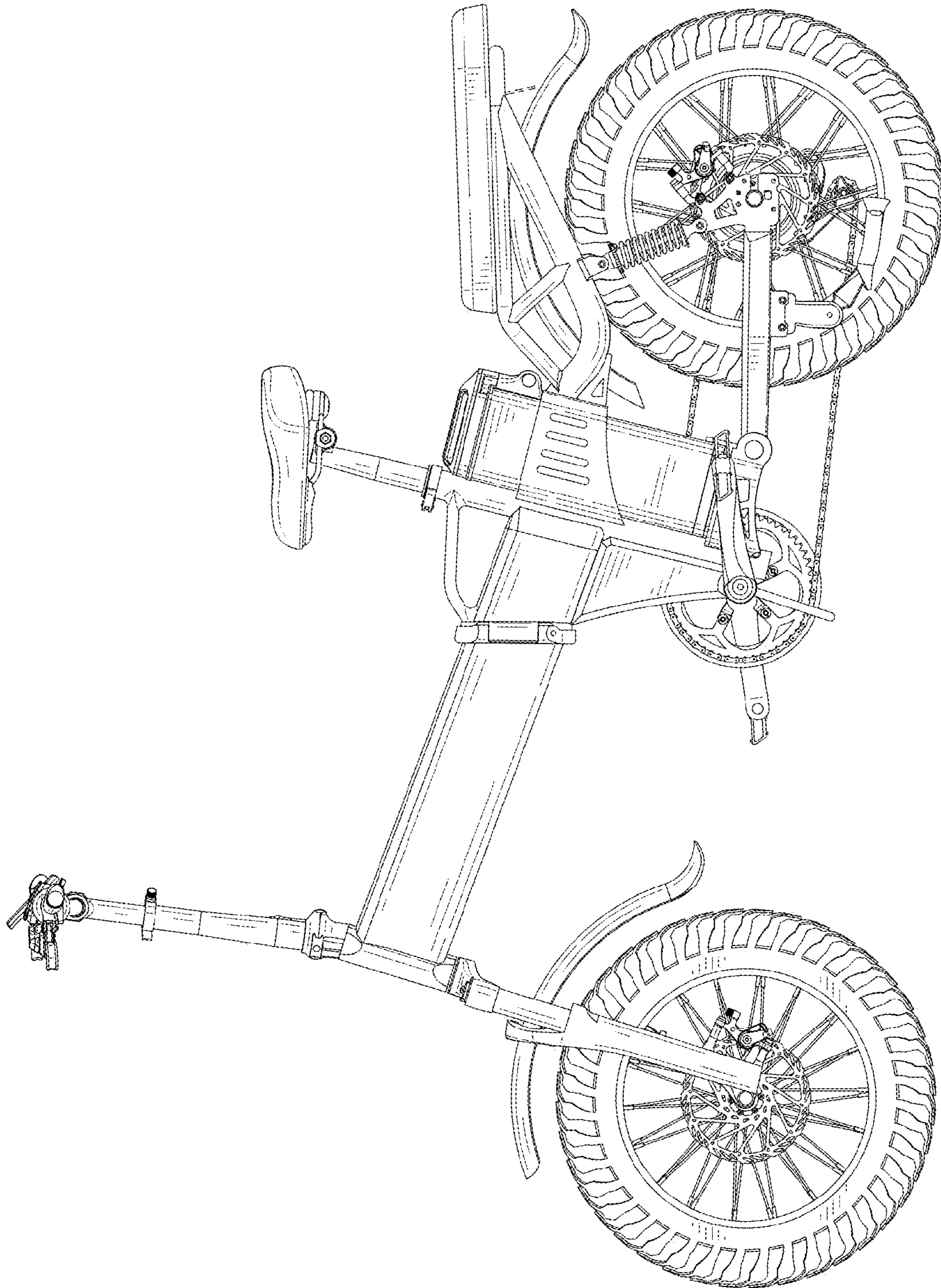


FIG. 4

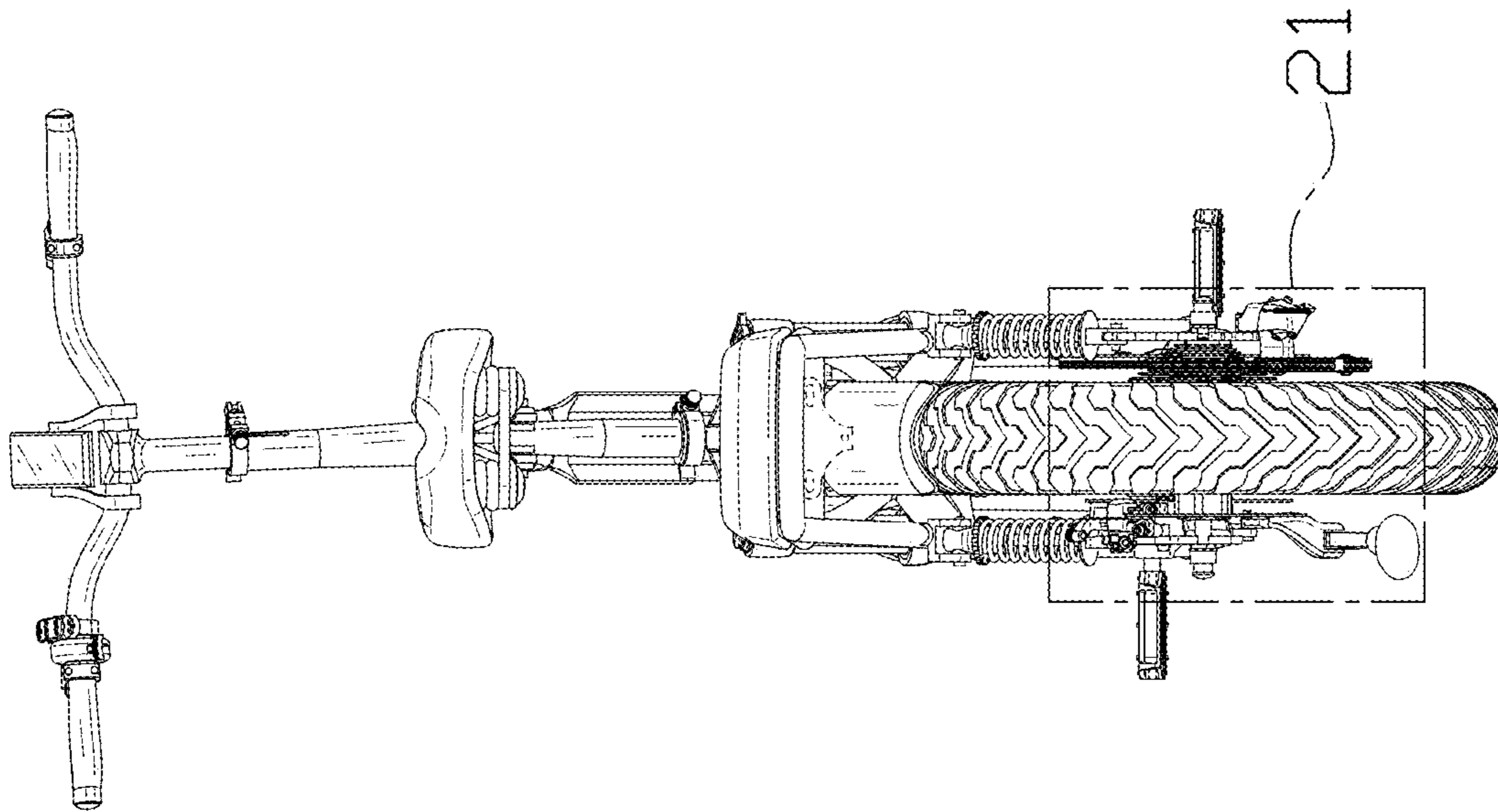


FIG. 5

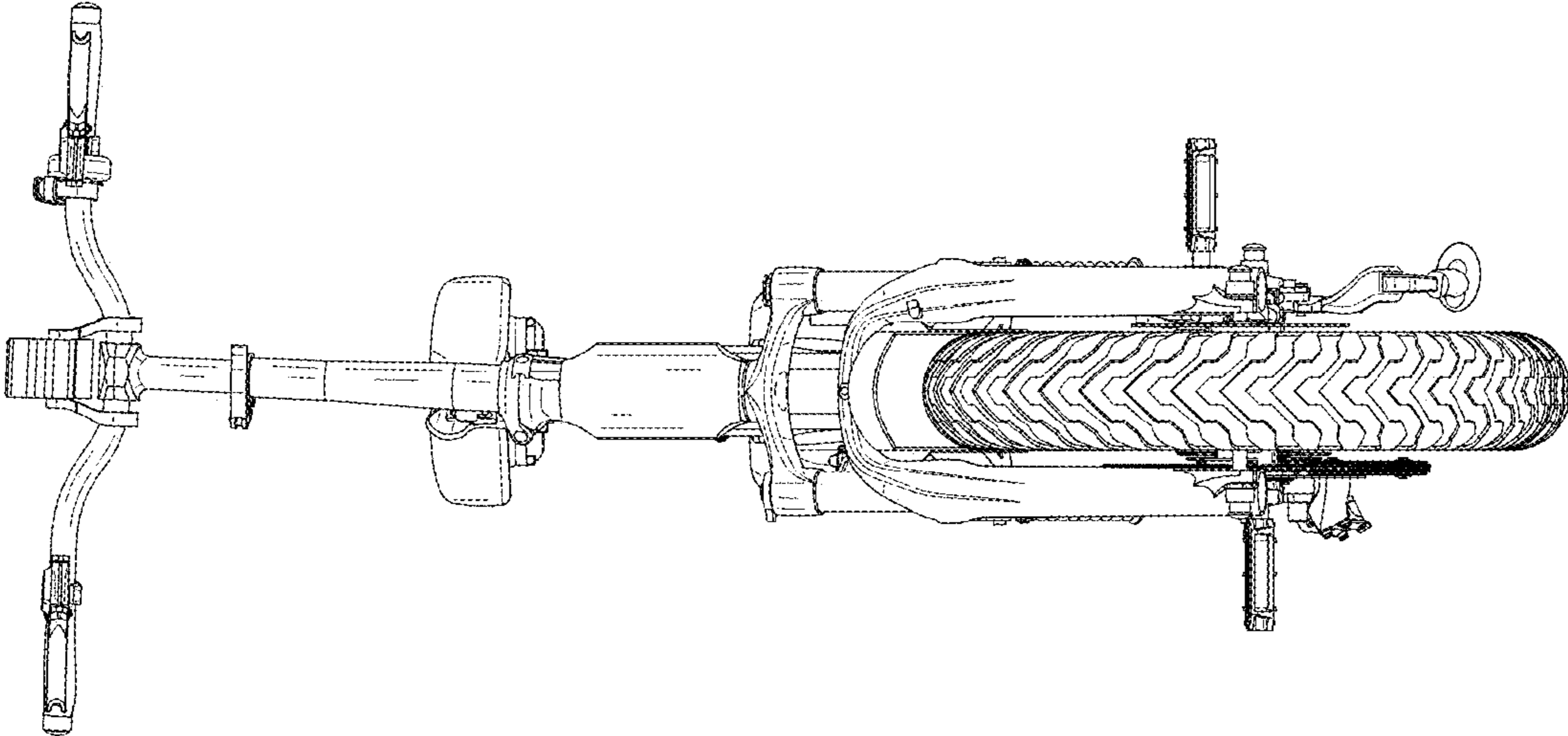


FIG. 6

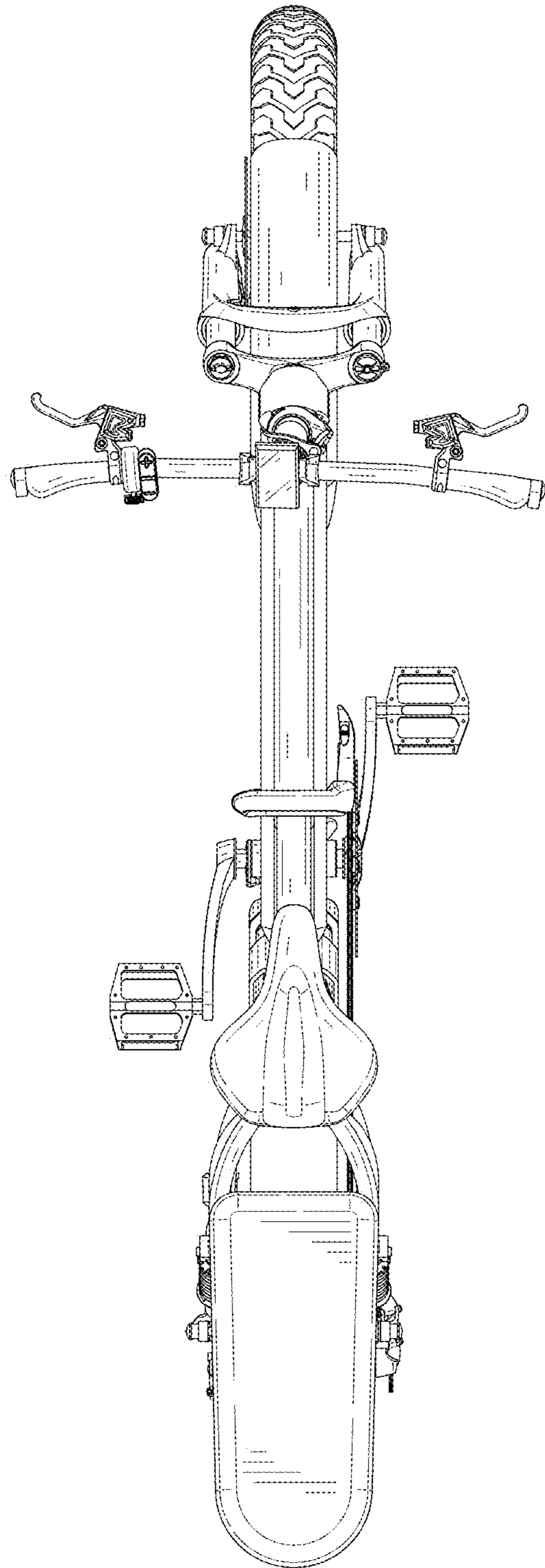


FIG. 7

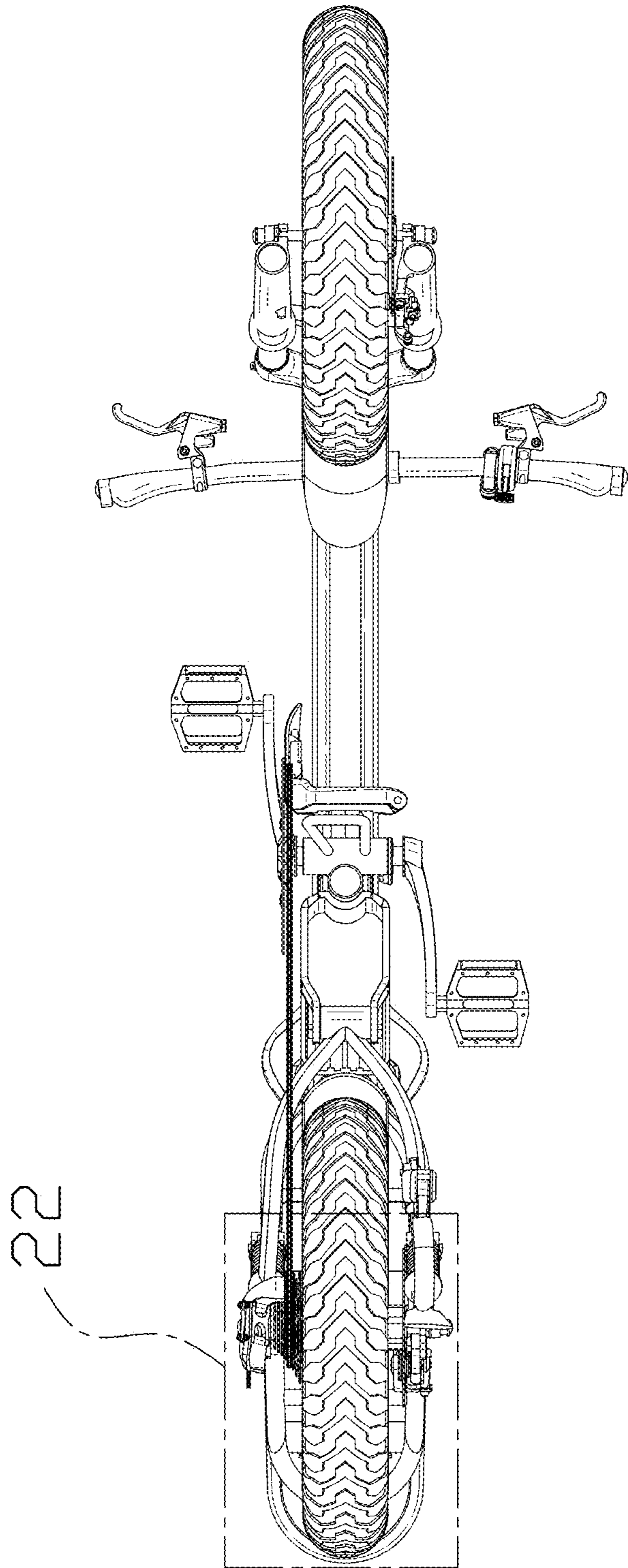


FIG. 8

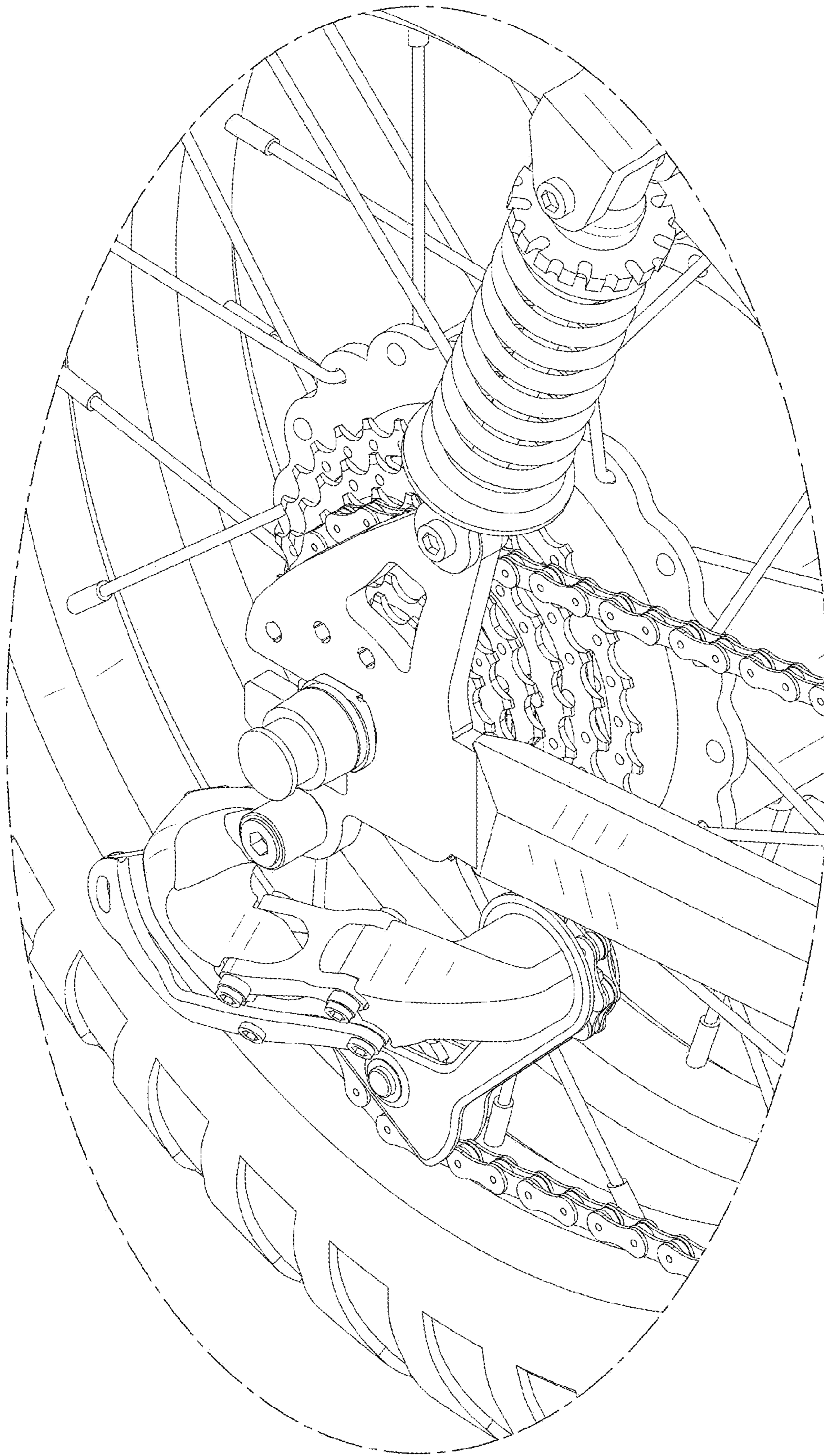


FIG. 9



FIG. 10

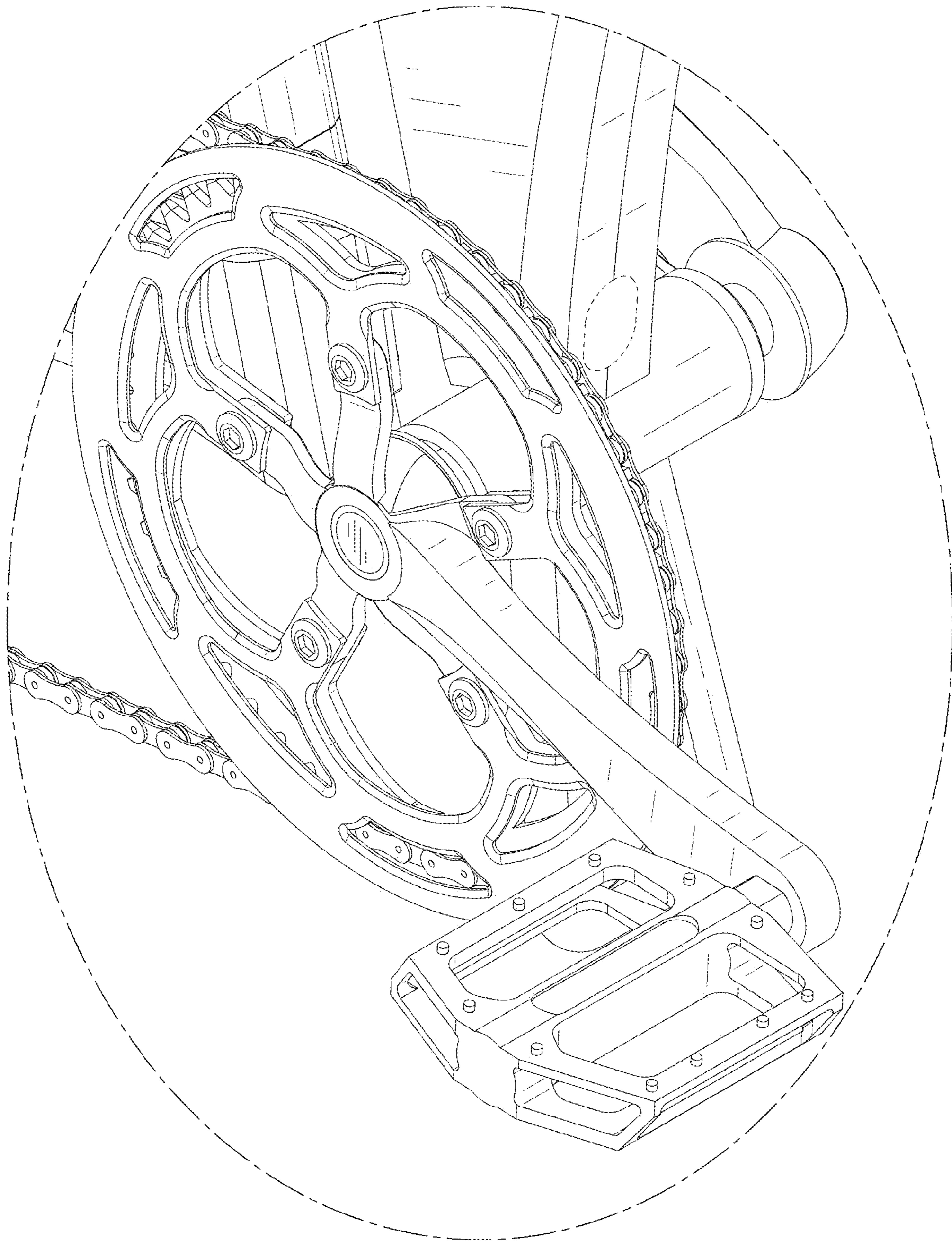


FIG. 11

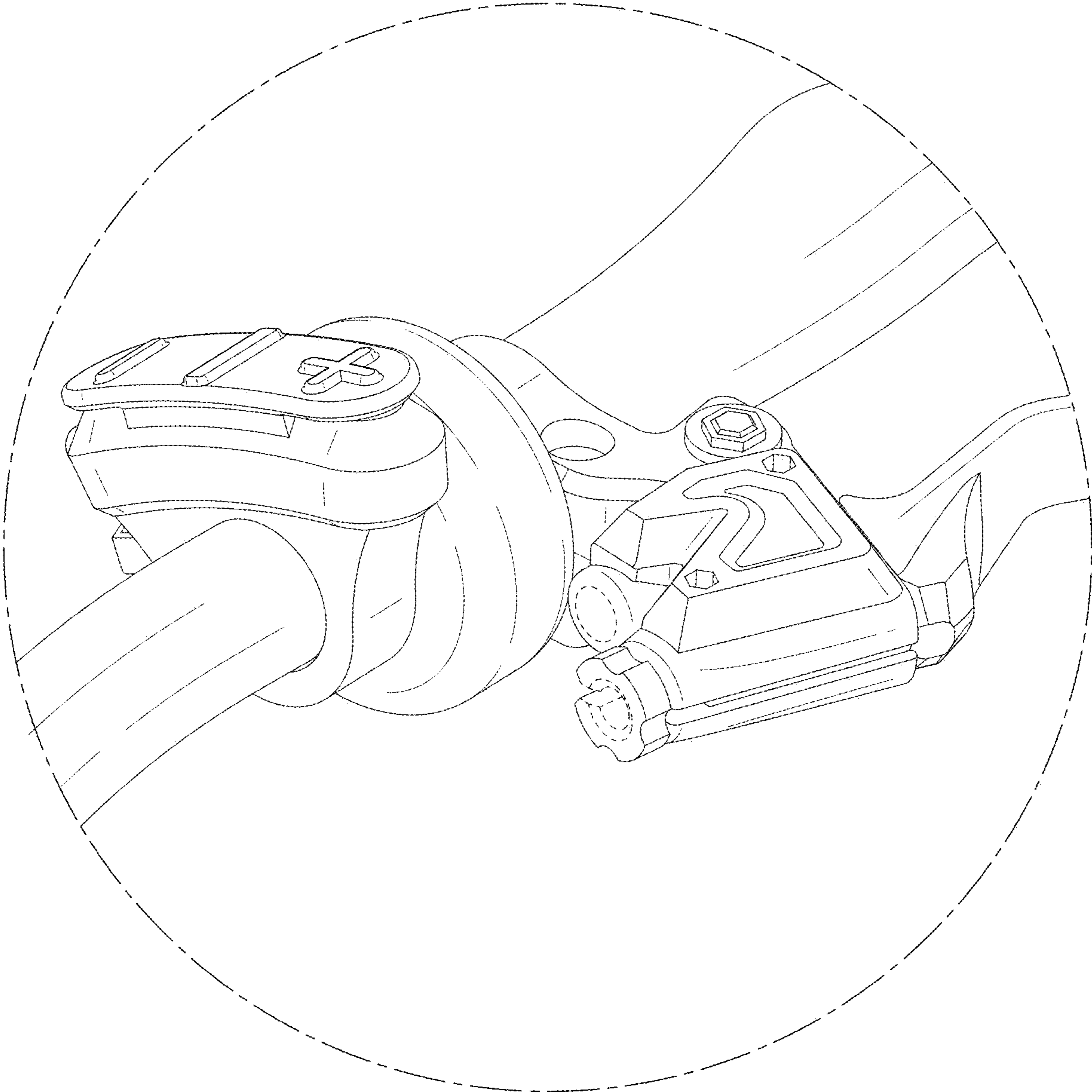


FIG. 12

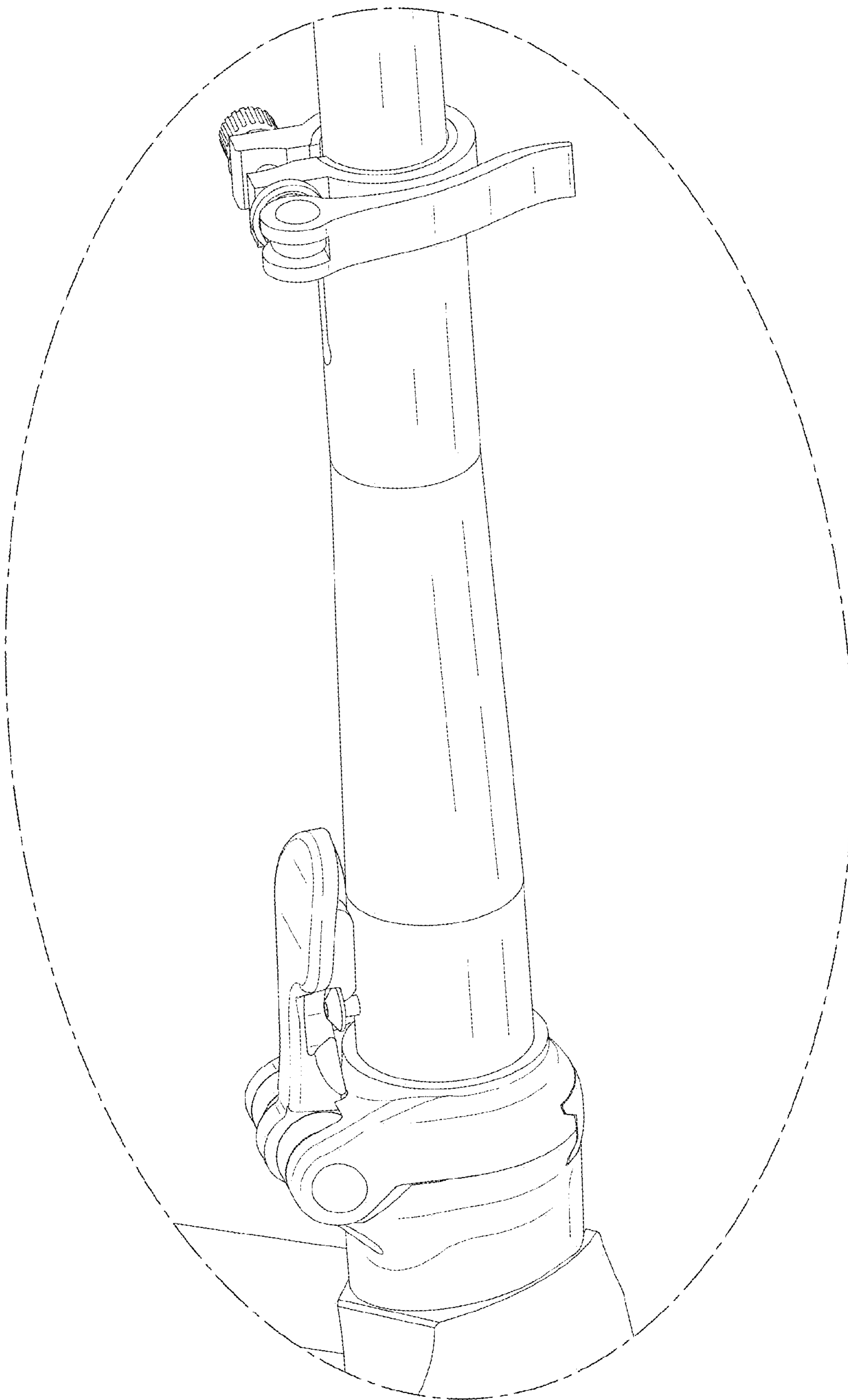


FIG. 13

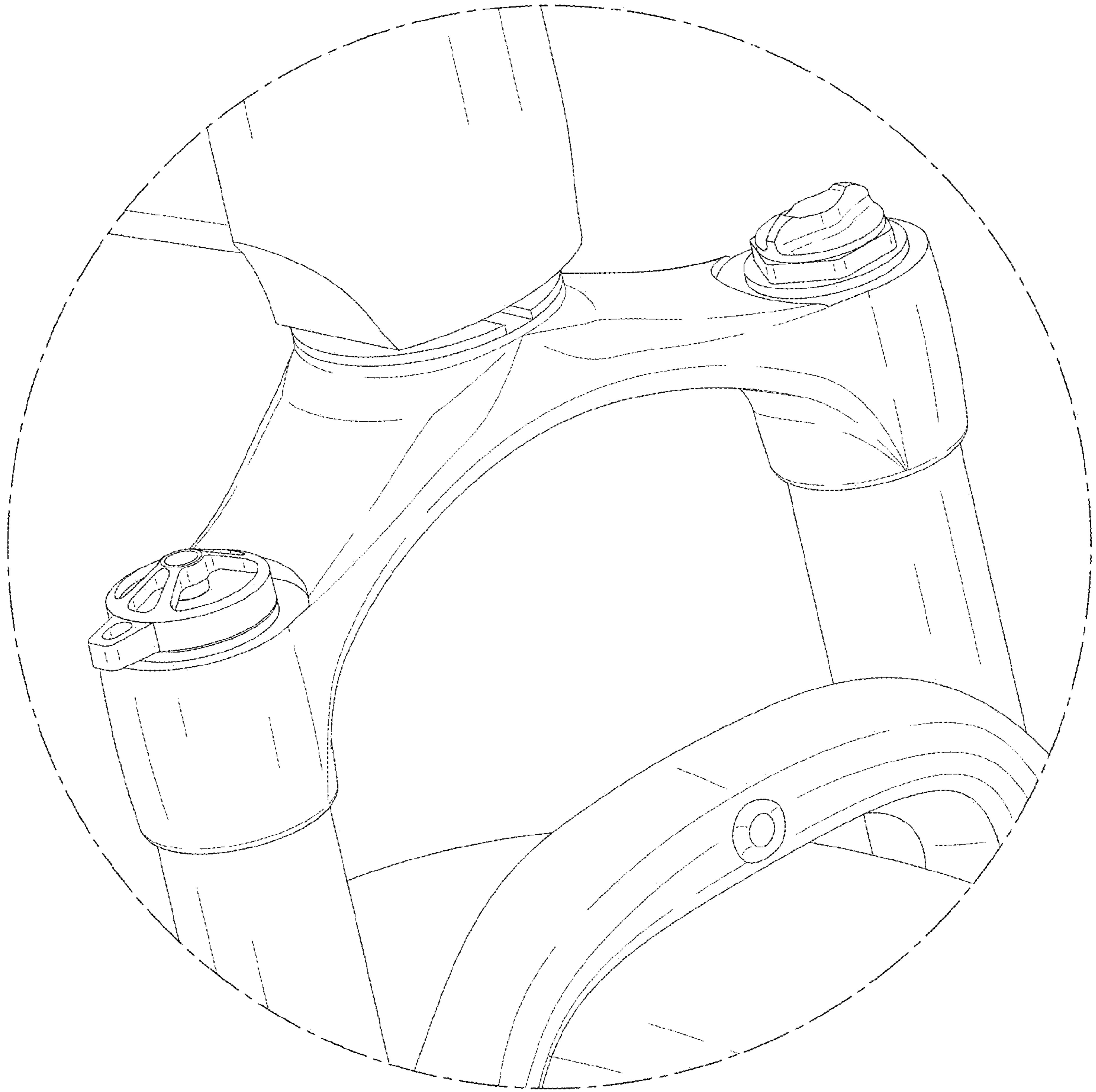


FIG. 14



FIG. 15

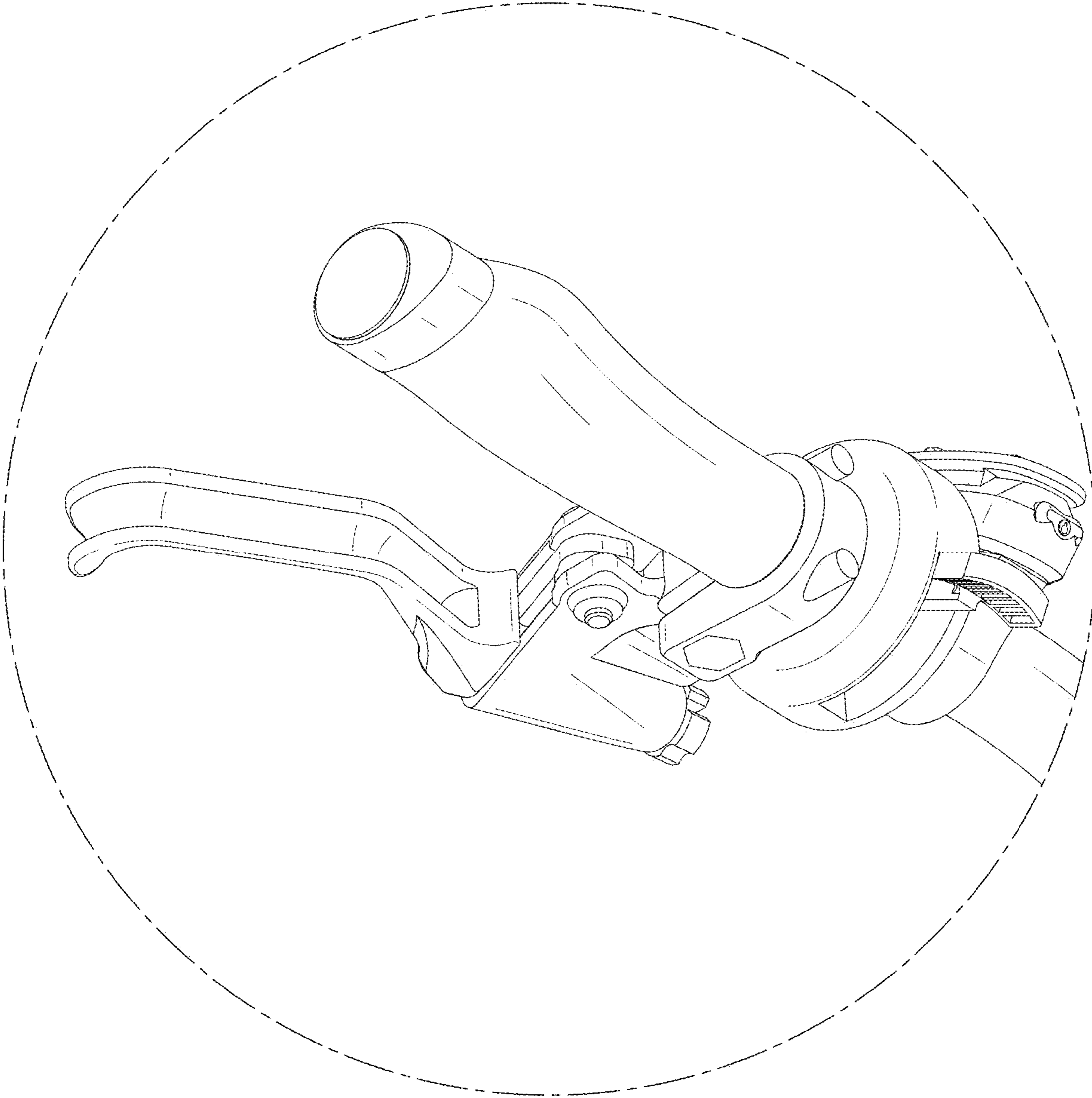


FIG. 16

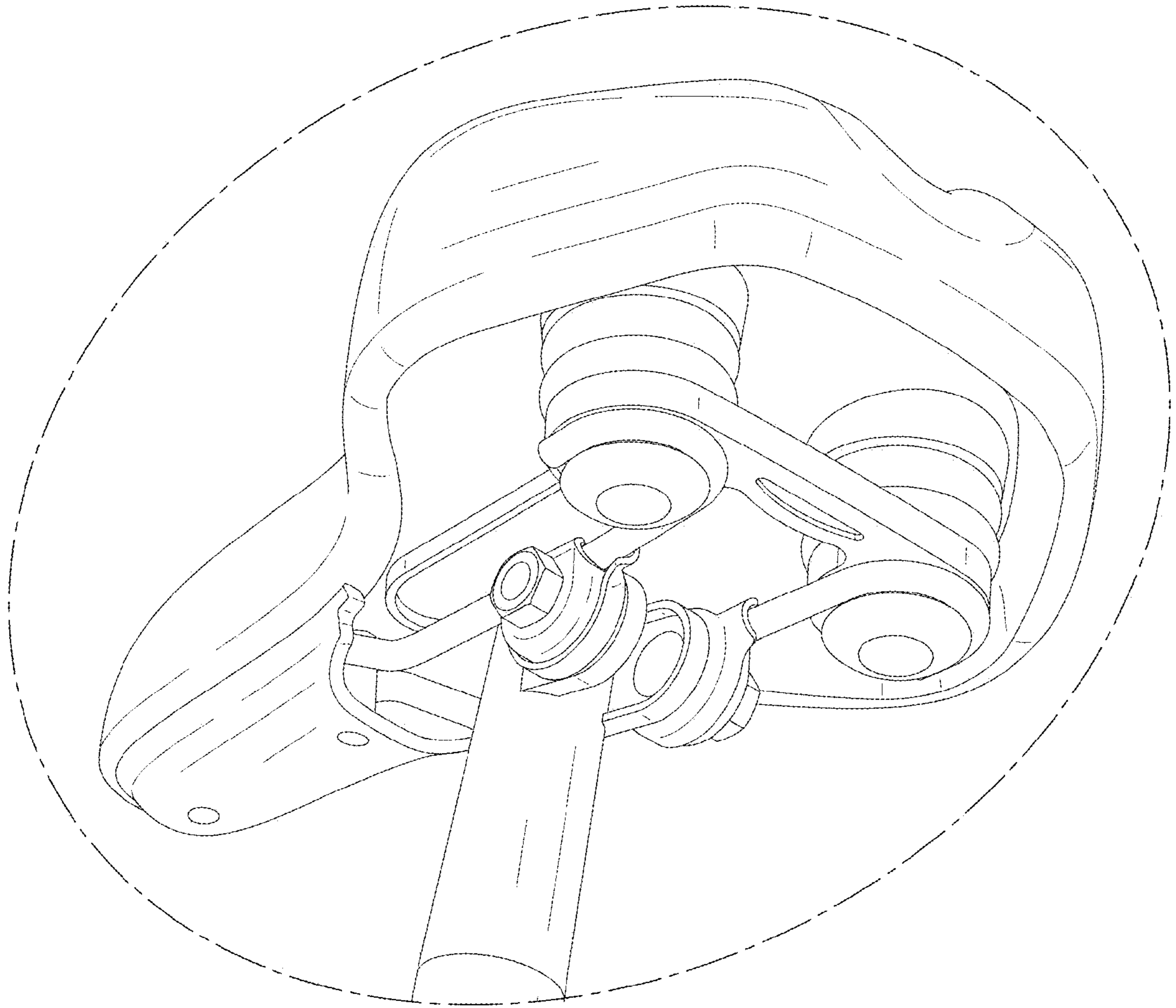


FIG. 17



FIG. 18

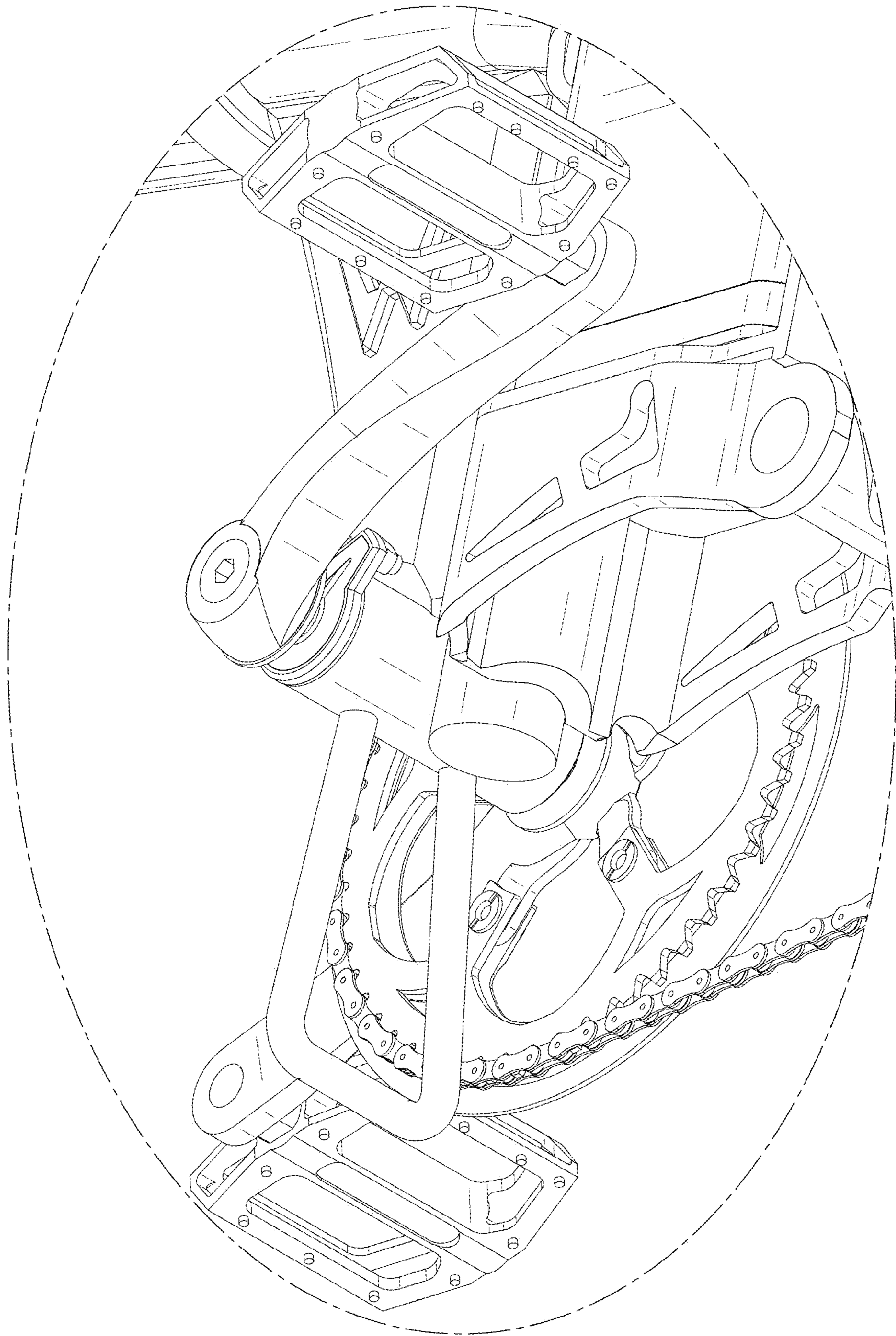


FIG. 19

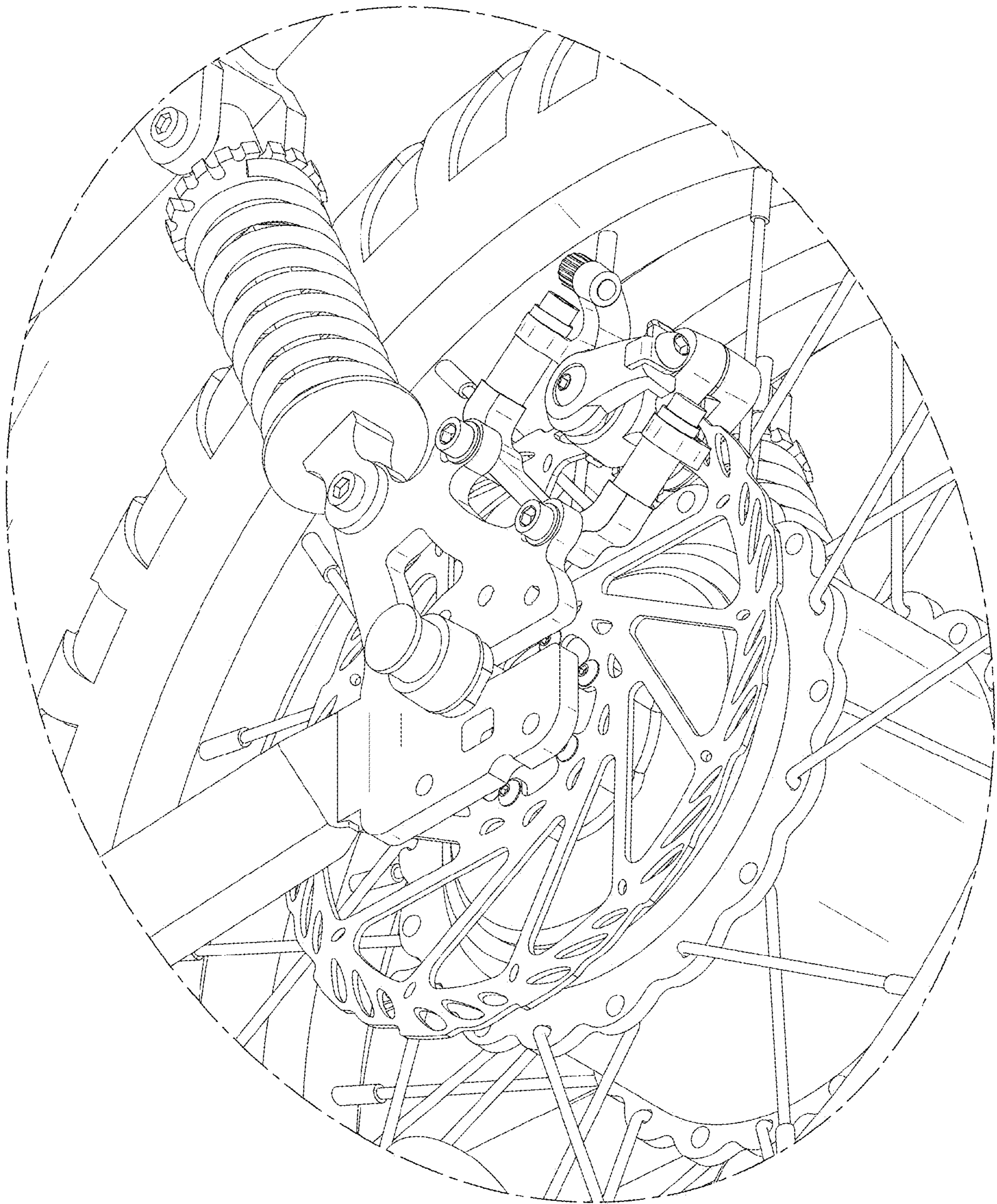


FIG. 20

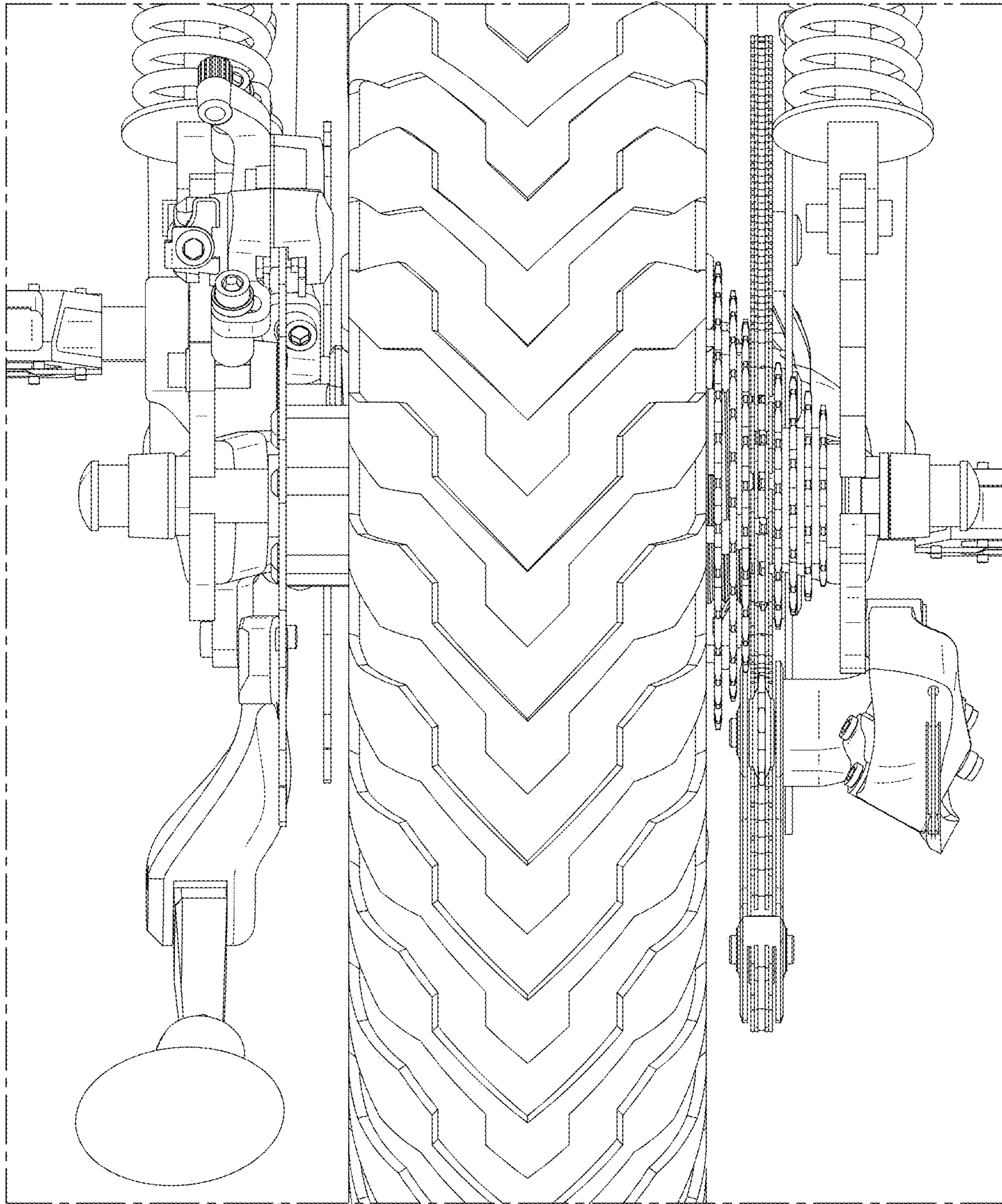


FIG. 21

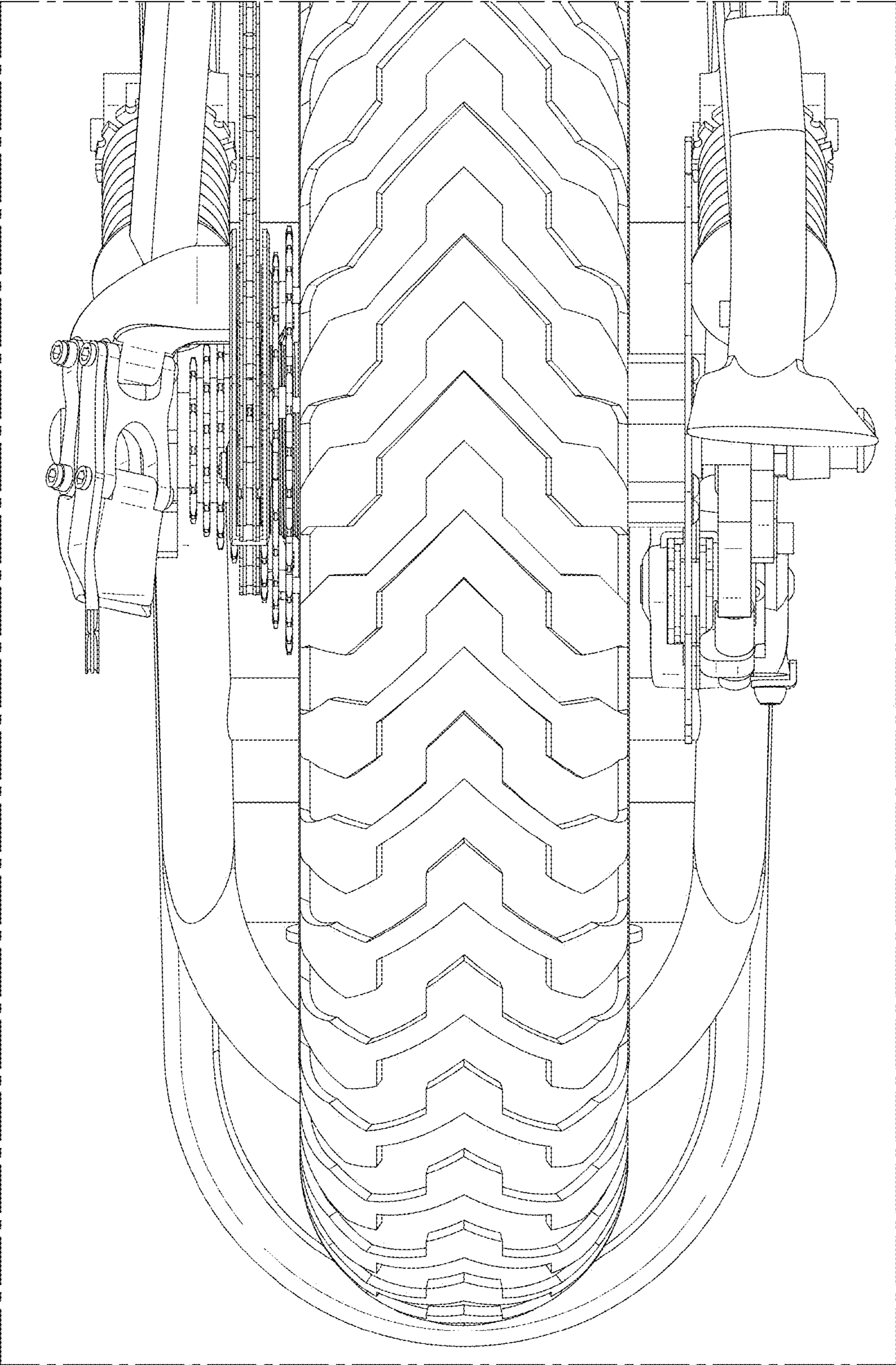


FIG. 22