

US00D960767S

(12) **United States Design Patent** (10) **Patent No.:** **US D960,767 S**
Montesalvo et al. (45) **Date of Patent:** **** Aug. 16, 2022**

(54) **CARAVAN**

(56) **References Cited**

(71) Applicant: **PATRIOT CAMPERS PTY LTD.,**
Molendinar (AU)
(72) Inventors: **Justin Montesalvo,** Meadowbrook
(AU); **Simon Pearce,** Molendinar (AU);
Jack Beet, Molendinar (AU); **Bradley**
Cullen, Molendinar (AU); **Harrison**
Bell, Molendinar (AU); **Kirby James**
Nankivell, Molendinar (AU)
(73) Assignee: **PATRIOT CAMPERS HOLDINGS**
PTY LTD, Molendinar (AU)
(**) Term: **15 Years**
(21) Appl. No.: **29/809,621**
(22) Filed: **Sep. 29, 2021**

U.S. PATENT DOCUMENTS

D233,141 S	10/1974	Ward	
D235,755 S	7/1975	May	
D392,921 S	3/1998	McCloud	
D568,793 S	5/2008	Oliver et al.	
D589,847 S	4/2009	Sasnoswki	
D610,489 S *	2/2010	Rodabaugh	D12/102
8,141,927 B2	3/2012	Kreil	
D707,591 S *	6/2014	Sands	D12/103
D737,726 S	9/2015	Austin	
D762,145 S	7/2016	Van Bosstraeten et al.	
D801,229 S *	10/2017	Brock	B62D 33/046 D12/102
D864,791 S	10/2019	Roberts	
D868,633 S *	12/2019	Krenelka	D12/102
D885,982 S	6/2020	Tatro et al.	
D886,682 S *	6/2020	Matthews	D12/103
D896,705 S *	9/2020	Kartepe	D12/100
D935,352 S *	11/2021	Guo	D12/103
D936,522 S *	11/2021	Zhang	D12/103
D938,863 S *	12/2021	Montesalvo	D12/103
D942,330 S *	2/2022	DeVine	D12/103

(Continued)

Related U.S. Application Data

(63) Continuation of application No. 29/715,589, filed on
Dec. 3, 2019, now Pat. No. Des. 938,863.

Primary Examiner — Susan E Krakower
Assistant Examiner — Jerry Shiuhan-Hua Hsu
(74) *Attorney, Agent, or Firm* — Tucker Ellis LLP

(30) **Foreign Application Priority Data**

Jun. 6, 2019 (AU) 201913100

(51) **LOC (13) Cl.** **12-16**

(52) **U.S. Cl.**
USPC **D12/103**

(58) **Field of Classification Search**
USPC D12/100, 101, 102, 103, 104, 105, 106,
D12/111, 112
CPC B62D 33/046; B62D 35/00; B62D 35/002;
B62D 35/005; B60P 3/34

See application file for complete search history.

(57) **CLAIM**

The ornamental design for a caravan, as shown and
described.

DESCRIPTION

FIG. 1 is a top rear right perspective view of a caravan.

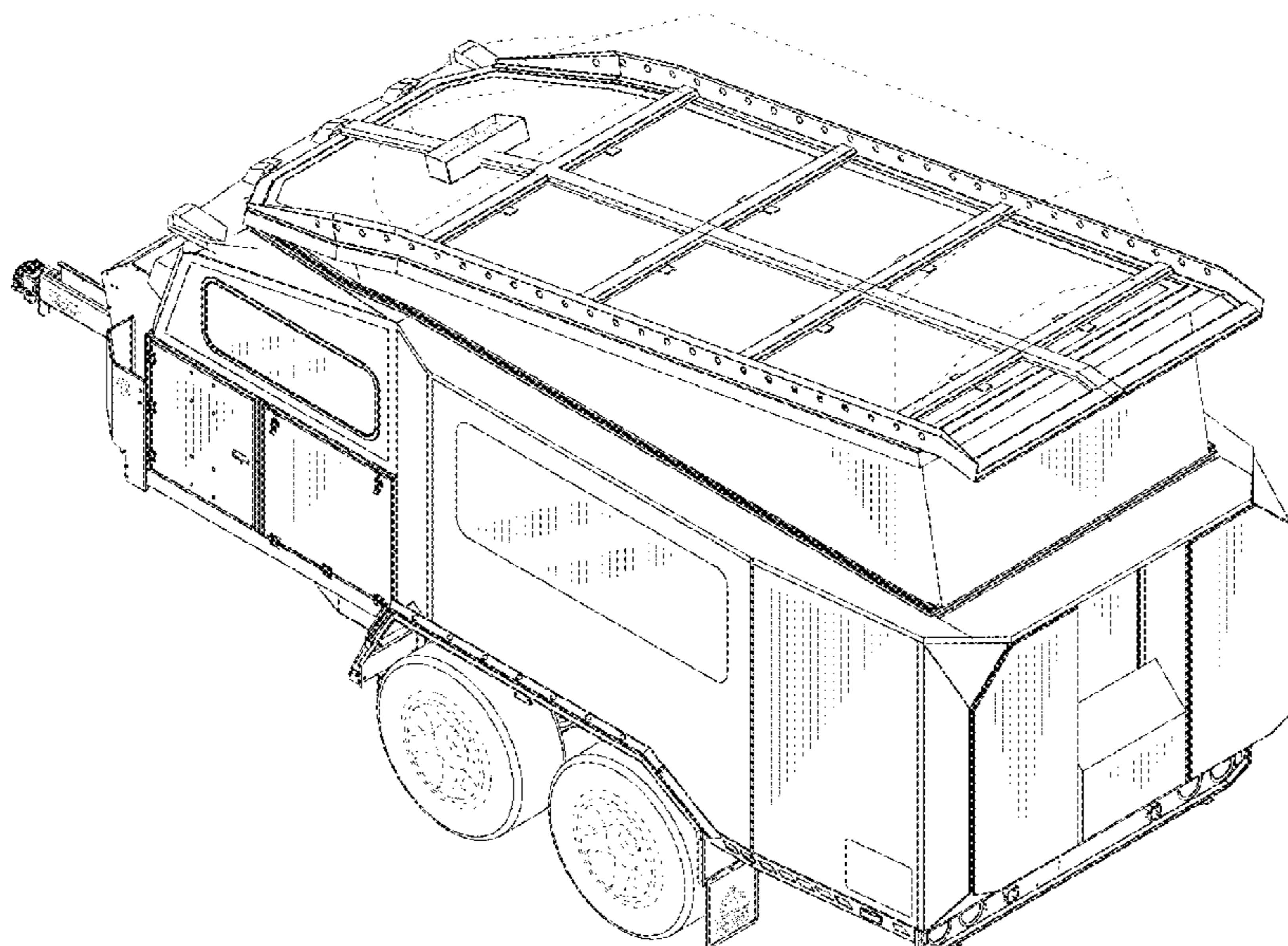
FIG. 2 is a right side view thereof.

FIG. 3 is a top view thereof; and,

FIG. 4 is a rear view thereof.

The broken lines show portions of the caravan that form no
part of the claimed design. The broken lines depicting a boat
on the roof of the caravan shows environmental structure
that forms no part of the claimed design.

1 Claim, 4 Drawing Sheets



(56)

References Cited

U.S. PATENT DOCUMENTS

2008/0211259 A1* 9/2008 Nadeau B60P 3/34
296/173
2020/0385069 A1 12/2020 Montesalvo et al.

* cited by examiner

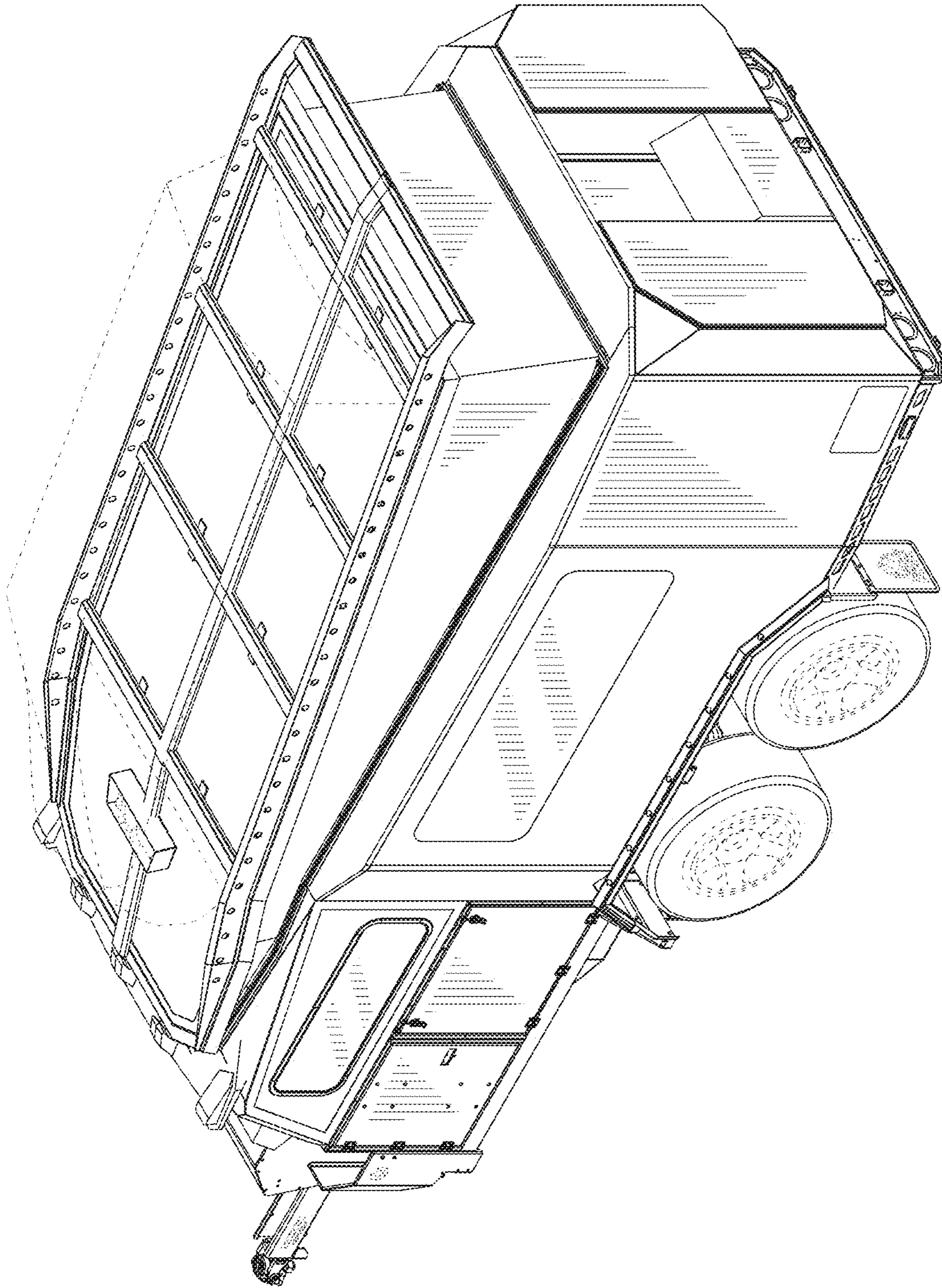


FIG. 1

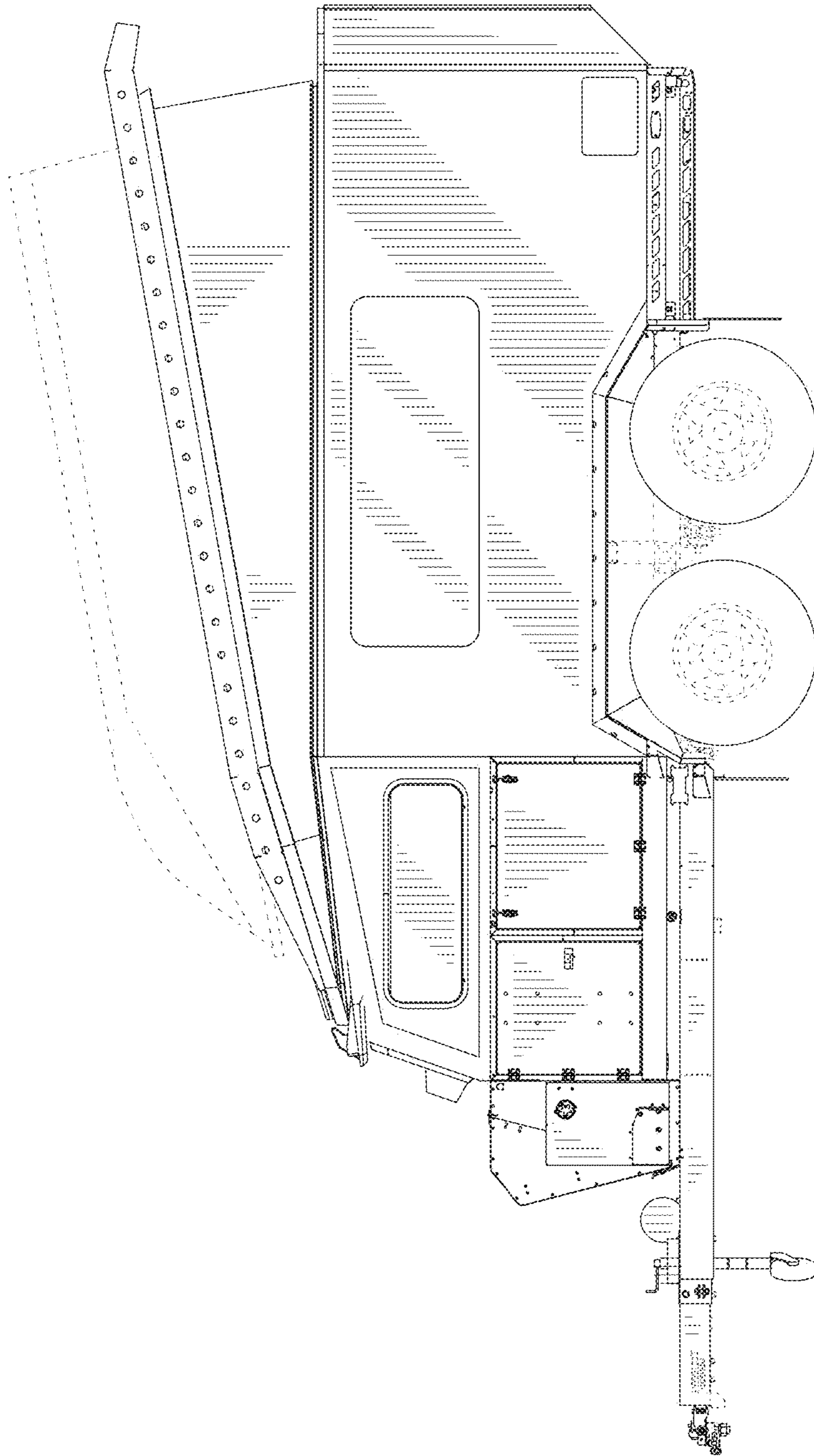


FIG. 2

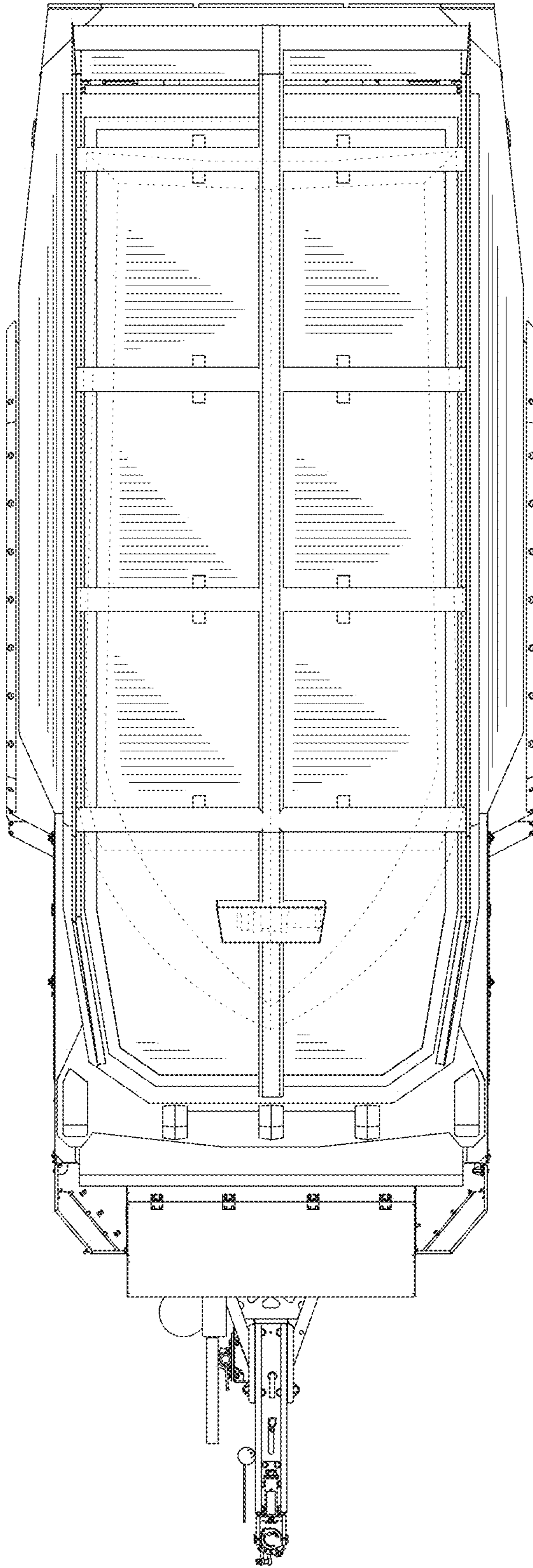


FIG. 3

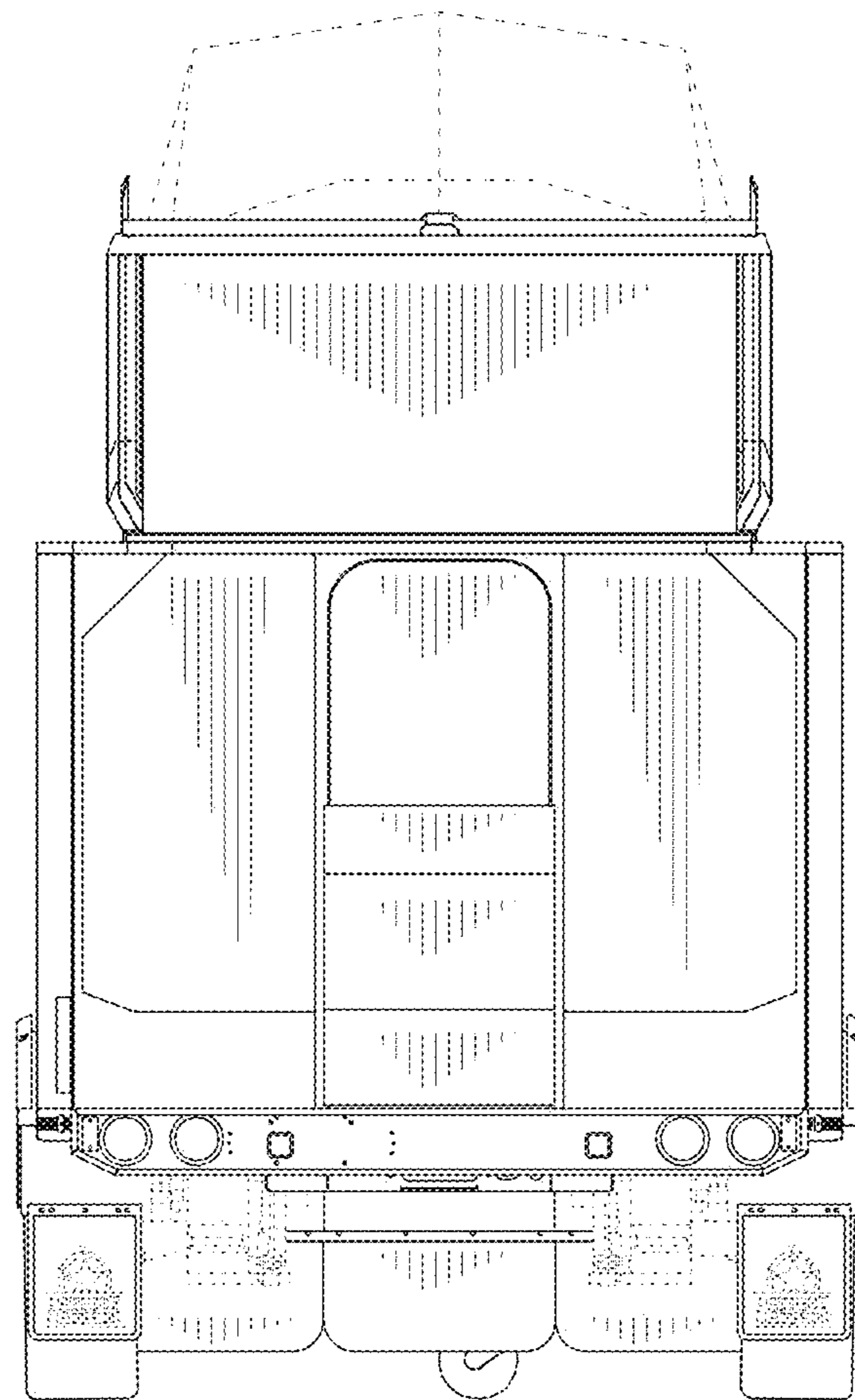


FIG. 4