

US00D960765S

(12) **United States Design Patent**
Manzoni

(10) **Patent No.:** **US D960,765 S**

(45) **Date of Patent:** **** Aug. 16, 2022**

(54) **TOY CAR**

(71) Applicant: **FERRARI S.p.A.**, Modena (IT)

(72) Inventor: **Flavio Manzoni**, Modena (IT)

(73) Assignee: **FERRARI S.p.A.**, Modena (IT)

(**) Term: **15 Years**

(21) Appl. No.: **35/511,900**

(22) Filed: **Nov. 26, 2020**

(80) **Hague Agreement Data**

Int. Filing Date: **Nov. 26, 2020**

Int. Reg. No.: **DM/211480**

Int. Reg. Date: **Nov. 26, 2020**

Int. Reg. Pub. Date: **May 28, 2021**

(30) **Foreign Application Priority Data**

May 26, 2020 (EM) 007968094

(51) **LOC (13) Cl.** **12-08**

(52) **U.S. Cl.**
USPC **D12/92; D12/86**

(58) **Field of Classification Search**
USPC D12/86, 88, 90-92, 184, 196; D21/424,
D21/433, 434, 533, 548
CPC B62D 25/00; B62D 25/02; B62D 25/06;
B62D 35/00; B62D 35/005; B60J 5/04
See application file for complete search history.

(56) **References Cited**

U.S. PATENT DOCUMENTS

D788,642 S	*	6/2017	Manzoni	D12/88
D813,095 S	*	3/2018	Manzoni	D12/92
D830,902 S	*	10/2018	Manzoni	D12/92
D833,912 S	*	11/2018	Manzoni	D12/92
D885,256 S	*	5/2020	Manzoni	D12/88
D902,784 S	*	11/2020	Manzoni	D12/92
D918,312 S	*	5/2021	Manzoni	D12/92
D927,359 S	*	8/2021	Manzoni	D12/92
D928,663 S	*	8/2021	Manzoni	D12/92
D937,709 S	*	12/2021	Manzoni	D12/92

* cited by examiner

Primary Examiner — Michael A. Pratt

(74) *Attorney, Agent, or Firm* — Cowan, Liebowitz & Latman, P.C.; Anastasia Zhadina

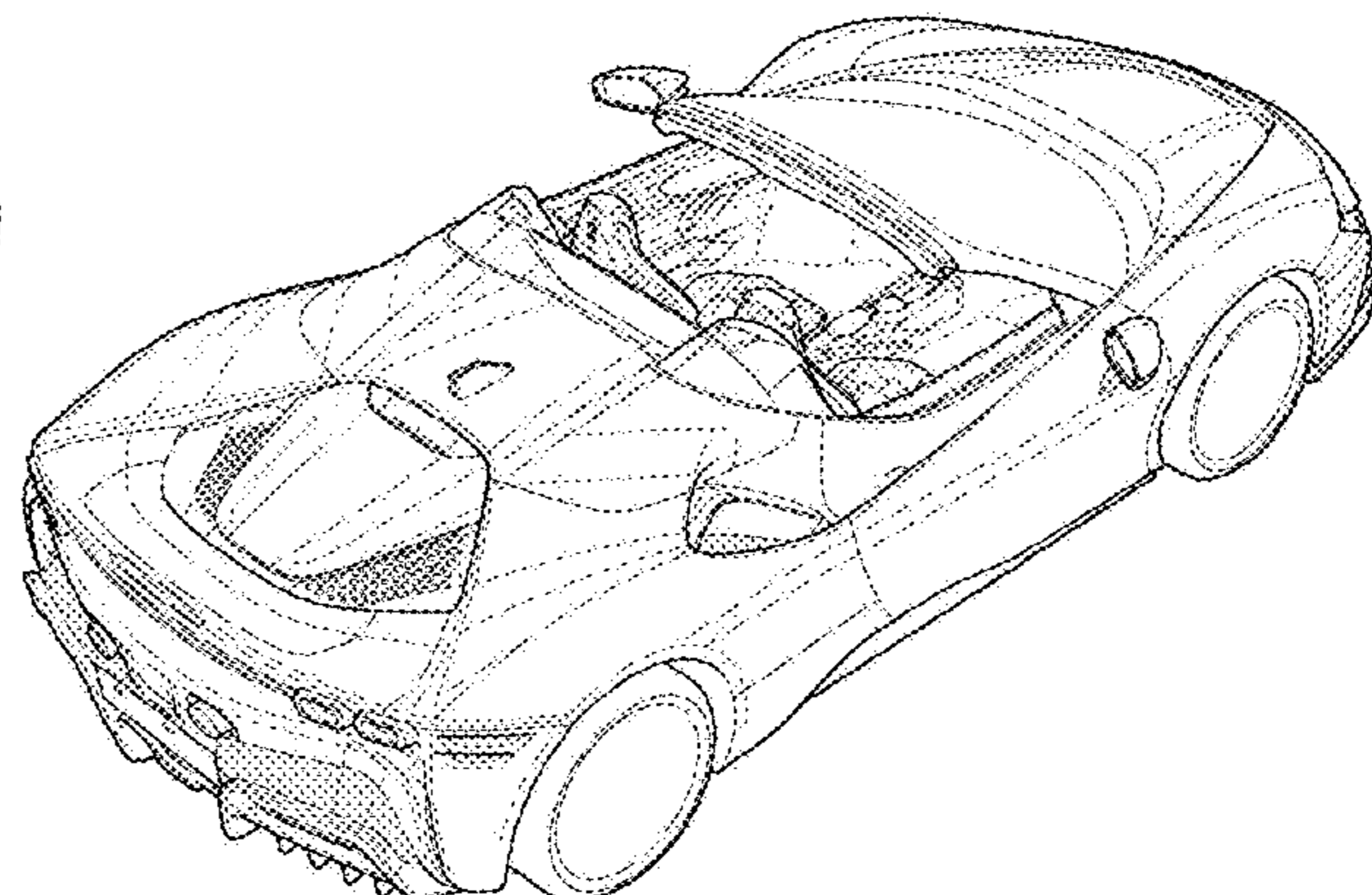
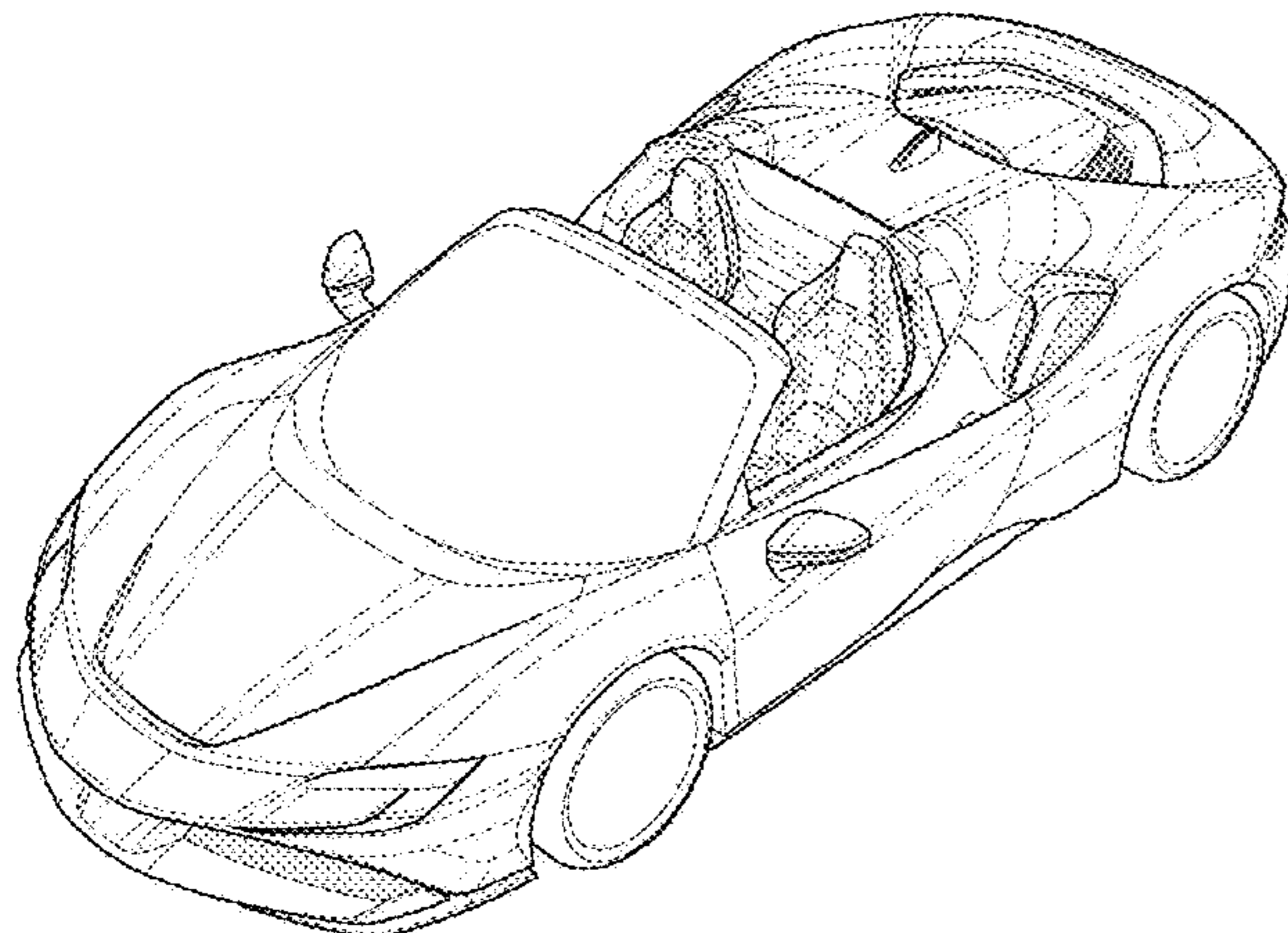
(57) **CLAIM**

The ornamental design for a toy car, as shown and described.

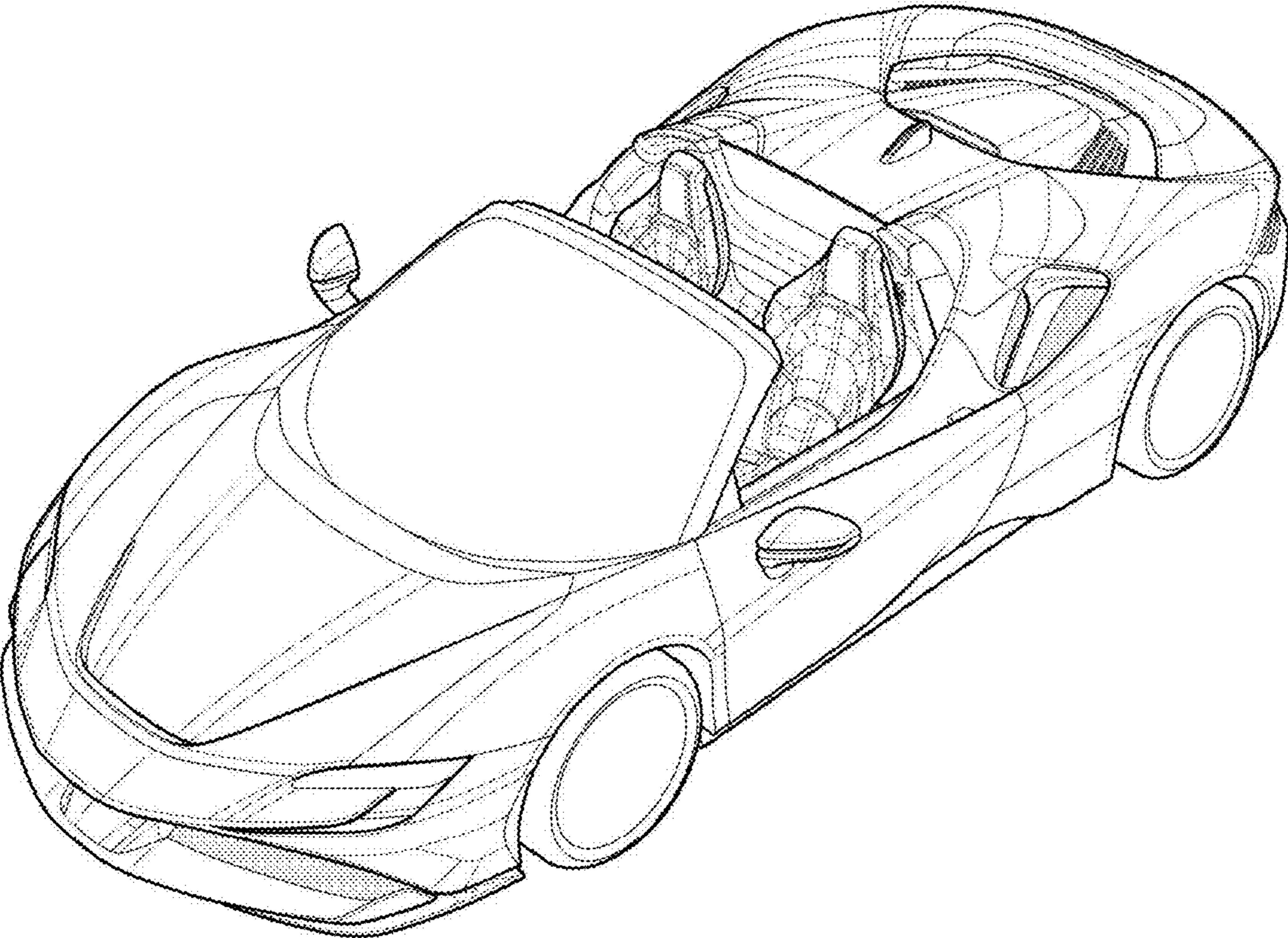
DESCRIPTION

- 1. Toy car
- 1.1 : Front perspective view
- 1.2 : Rear perspective view
- 1.3 : Front
- 1.4 : Rear view
- 1.5 : Lateral view
- 1.6 : Top

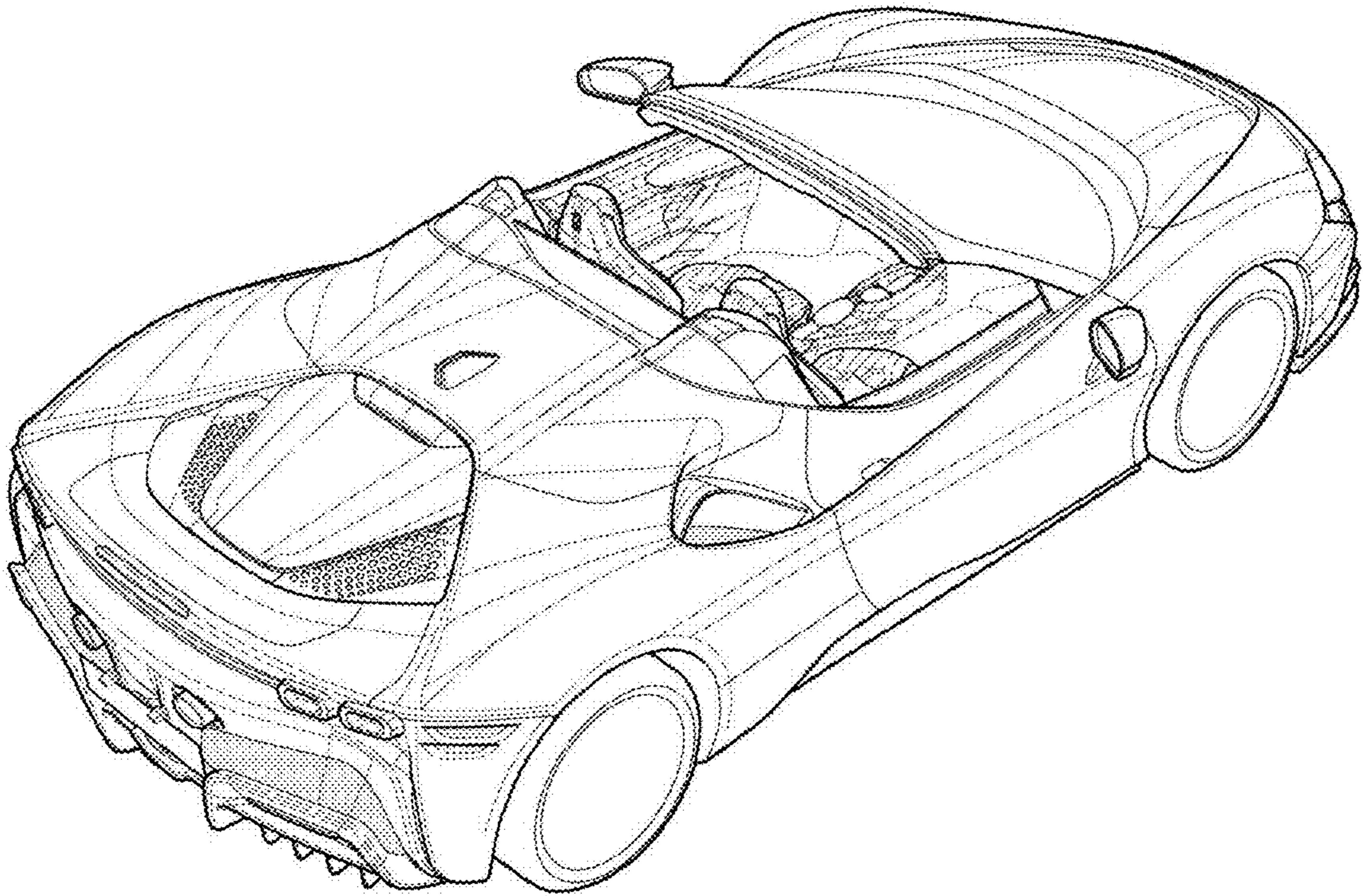
1 Claim, 6 Drawing Sheets



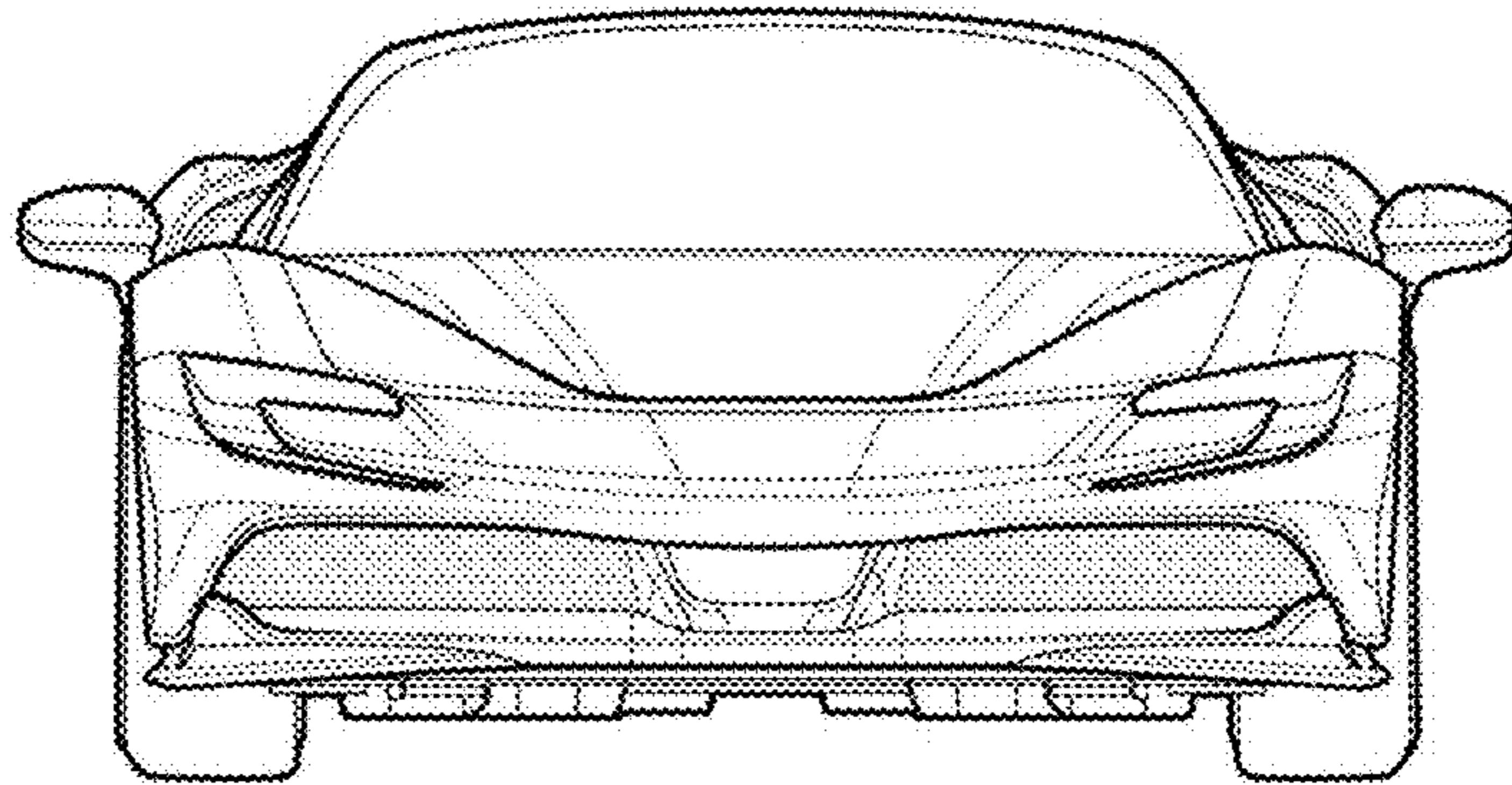
1.1



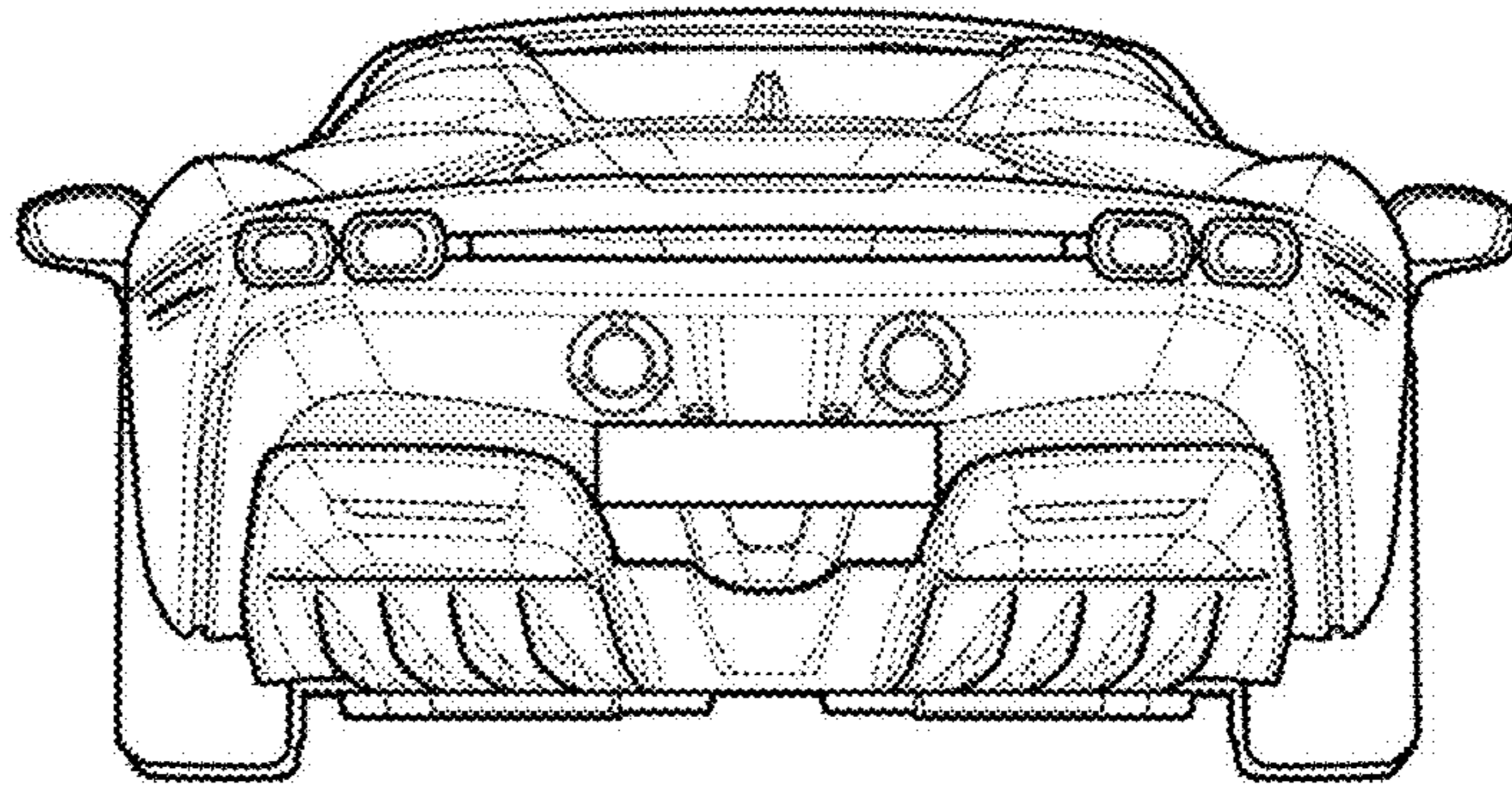
1.2



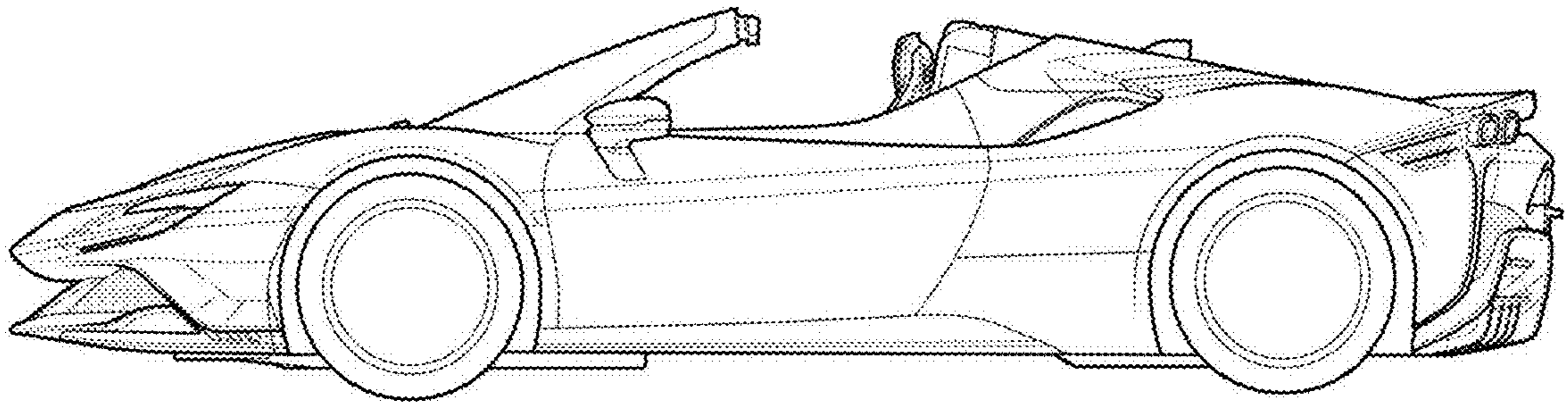
1.3



1.4



1.5



1.6

