

US00D960764S

(12) **United States Design Patent** (10) **Patent No.:** **US D960,764 S**  
**Cattabriga et al.** (45) **Date of Patent:** **\*\* Aug. 16, 2022**

(54) **CAR**  
(71) Applicant: **FERRARI S.p.A.**, Modena (IT)  
(72) Inventors: **Adalberto Cattabriga**, Modena (IT);  
**Luca Zanetti**, Modena (IT); **Matteo Biancalana**, Modena (IT)  
(73) Assignee: **FERRARI S.p.A.**, Modena (IT)  
(\*\*) Term: **15 Years**  
(21) Appl. No.: **35/511,081**  
(22) Filed: **Jun. 30, 2020**  
(80) **Hague Agreement Data**  
Int. Filing Date: **Jun. 30, 2020**  
Int. Reg. No.: **DM/209316**  
Int. Reg. Date: **Jun. 30, 2020**  
Int. Reg. Pub. Date: **Jan. 1, 2021**

(30) **Foreign Application Priority Data**  
Dec. 30, 2019 (EM) ..... 007461595  
(51) **LOC (13) Cl.** ..... **12-08**  
(52) **U.S. Cl.**  
USPC ..... **D12/92**  
(58) **Field of Classification Search**  
USPC ..... D12/86, 90, 91, 92, 98; D21/424, 433,  
D21/434  
CPC ..... B62D 25/00; B62D 25/06; B62D 33/00;  
B62D 35/00  
See application file for complete search history.

(56) **References Cited**  
U.S. PATENT DOCUMENTS  
D680,030 S \* 4/2013 Rodriguez ..... D12/92  
D703,585 S \* 4/2014 Scheinhutte ..... D12/92  
D710,260 S \* 8/2014 Villarreal ..... D12/92

9,073,410 B2 \* 7/2015 Bruant ..... B60J 7/028  
D738,259 S \* 9/2015 Ohnuma ..... D12/92  
D763,737 S \* 8/2016 Varga ..... D12/92  
D786,134 S \* 5/2017 Varga ..... D12/92  
D790,405 S \* 6/2017 Christensen ..... D12/92  
9,725,020 B2 \* 8/2017 Fainello ..... B62D 31/00  
D796,998 S \* 9/2017 Christensen ..... D12/92  
D797,606 S \* 9/2017 Oh ..... D12/92  
D808,302 S \* 1/2018 Oh ..... D12/92  
D809,971 S \* 2/2018 Lee ..... D12/92  
D809,972 S \* 2/2018 Fisker ..... D12/92  
D825,388 S \* 8/2018 Karras ..... D12/92  
D831,542 S \* 10/2018 Russo ..... D12/92  
D836,031 S \* 12/2018 Lim ..... D12/92

(Continued)

*Primary Examiner* — Darlington Ly  
(74) *Attorney, Agent, or Firm* — Cowan, Liebowitz & Latman, P.C.; Anastasia Zhadina

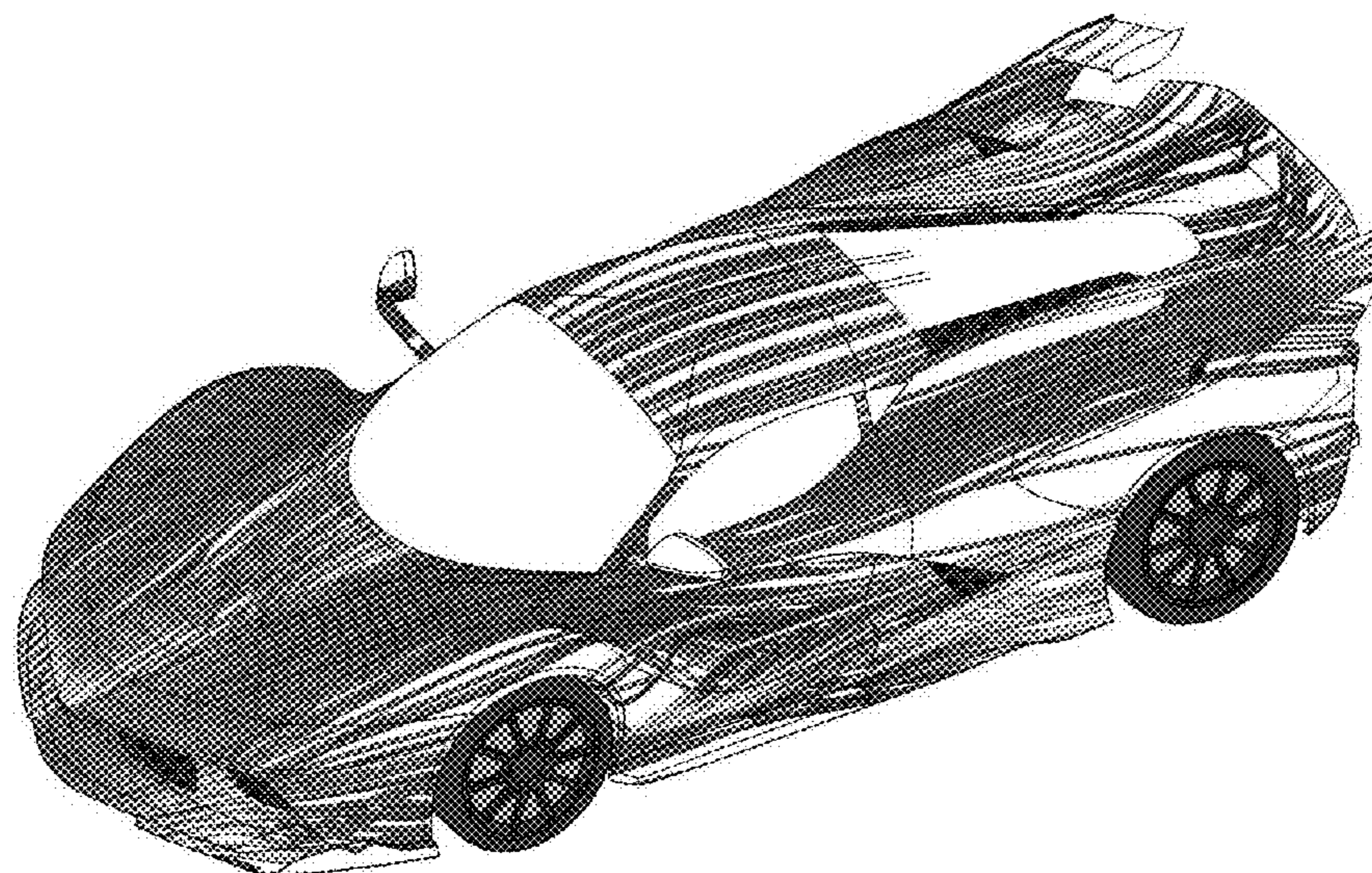
(57) **CLAIM**  
The ornamental design for a car, as shown and described.

**DESCRIPTION**

The patent or application file contains at least one drawing executed in color. Copies of this patent or patent application publication with color drawing(s) will be provided by the Office upon request and payment of the necessary fee.

- 1.-2. Car  
1.1 is a top, front, and left side perspective view of a car embodying our new design in accordance to a first embodiment;  
1.2 is a front elevation view thereof;  
1.3 is a left side elevation view thereof; and  
1.4 is a top plan view thereof.  
2.1 is a top, front, and left side perspective view of a car embodying our new design in accordance to a second embodiment;  
2.2 is a front elevation view thereof;  
2.3 is a left side elevation view thereof; and  
2.4 is a top plan view thereof.

**1 Claim, 8 Drawing Sheets**  
**(4 of 8 Drawing Sheet(s) Filed in Color)**



(56)

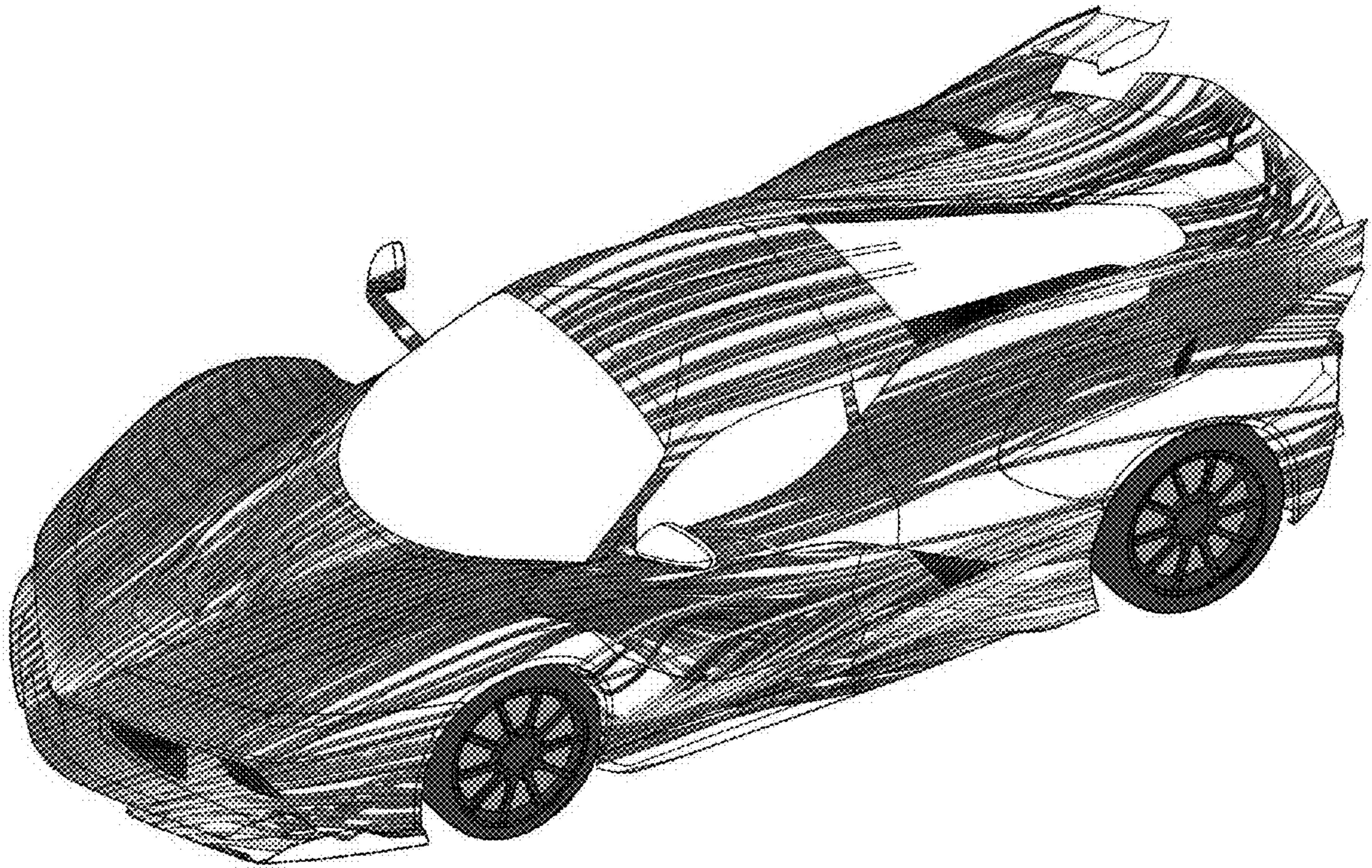
**References Cited**

U.S. PATENT DOCUMENTS

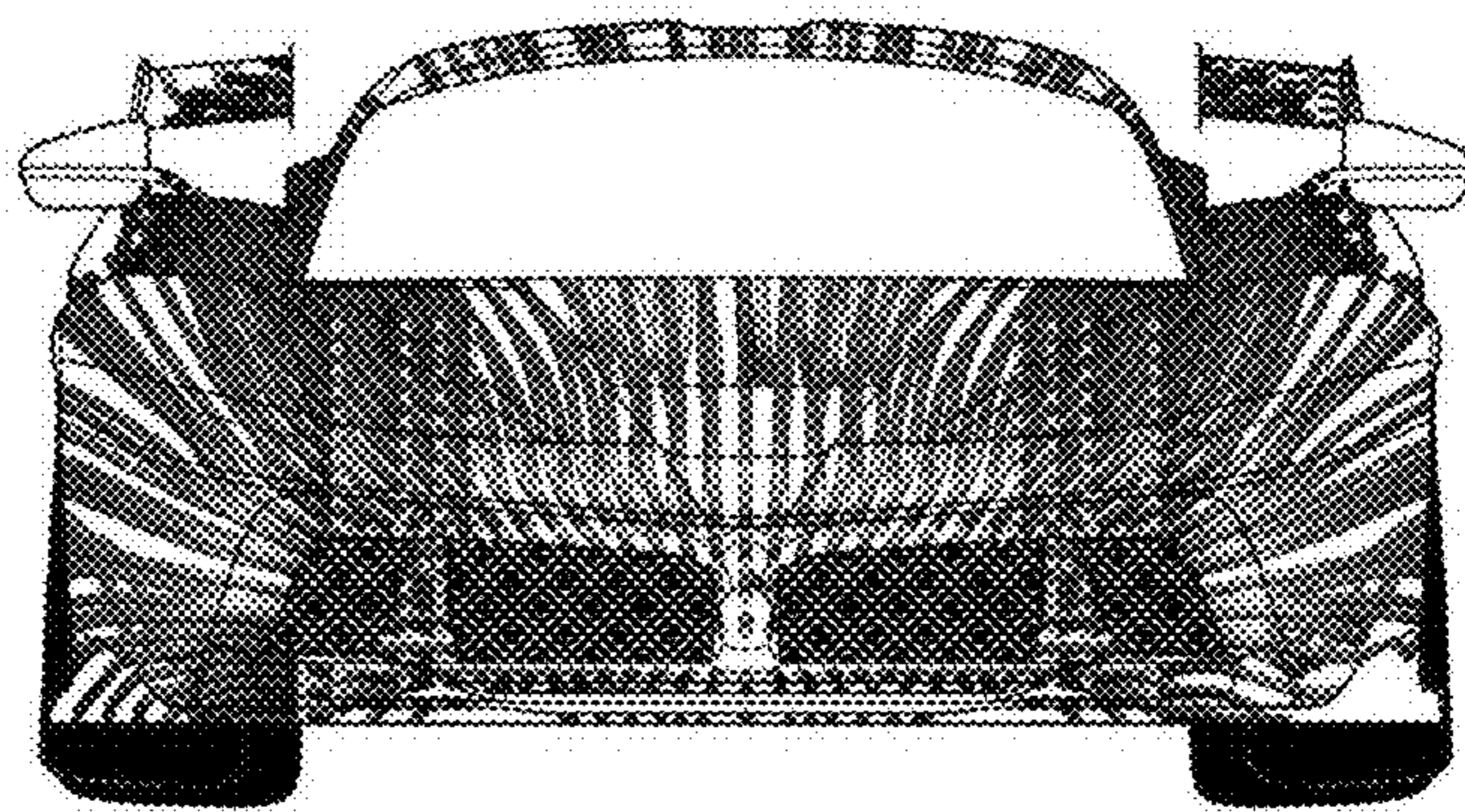
D840,874 S	*	2/2019	Fisker .....	D12/92
D845,174 S	*	4/2019	Iwao .....	D12/92
D847,028 S	*	4/2019	Loeb .....	D12/92

\* cited by examiner

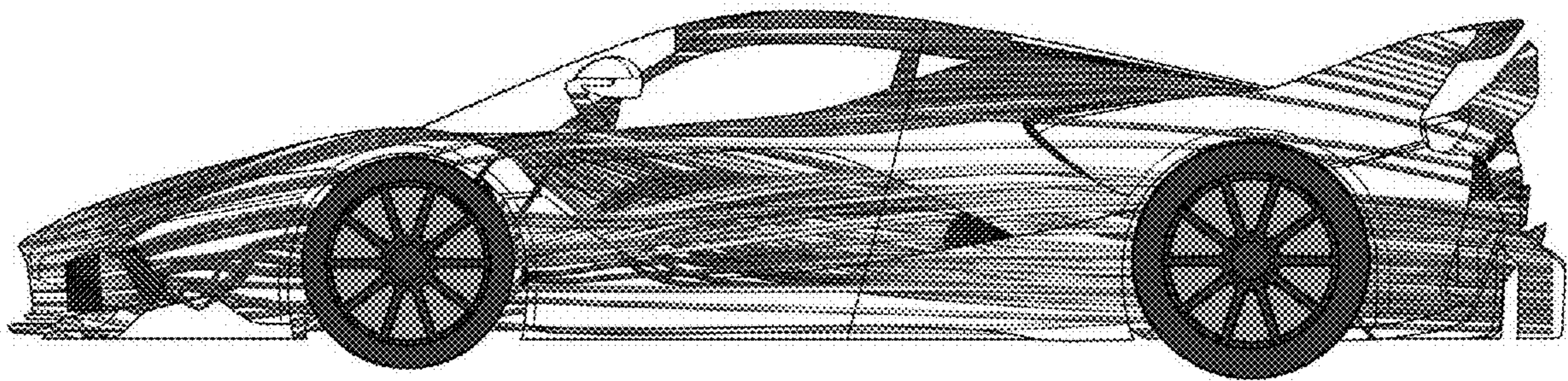
1.1



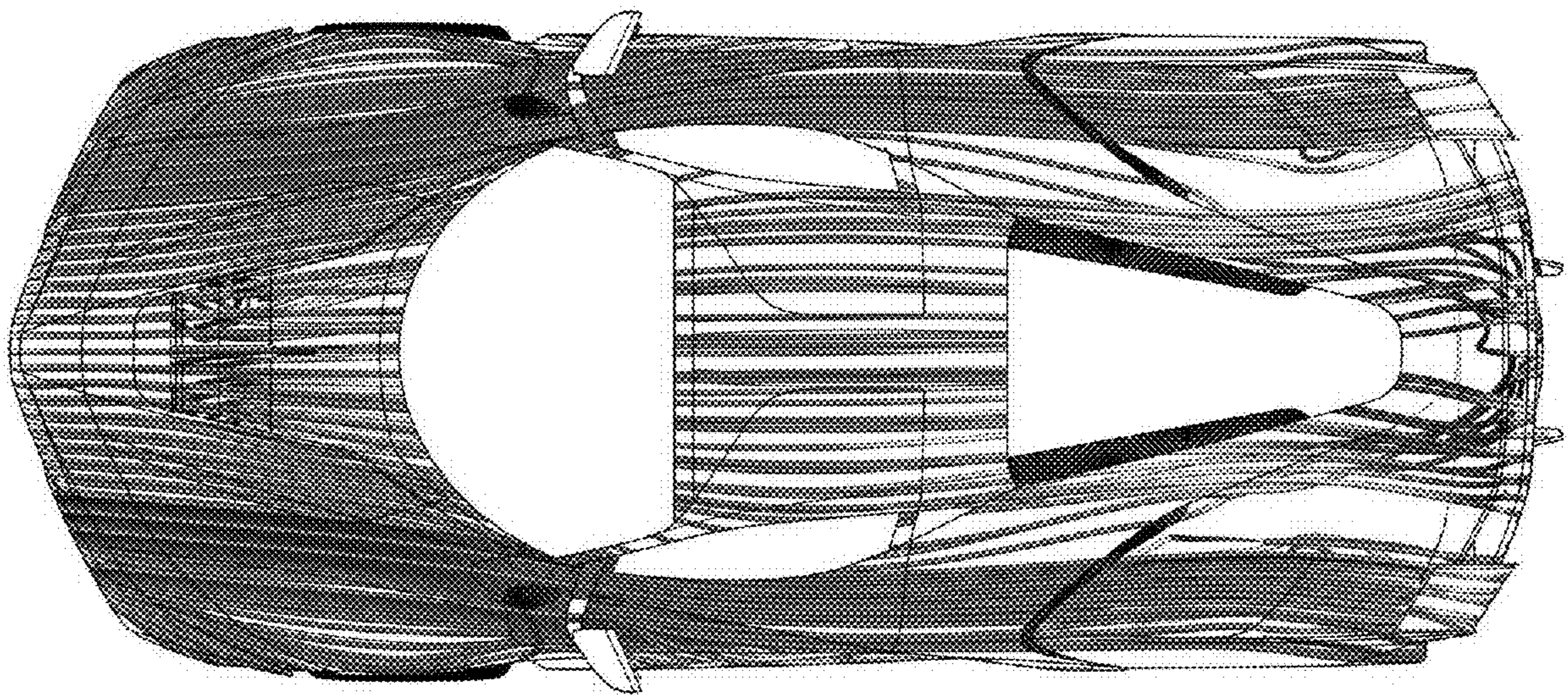
1.2



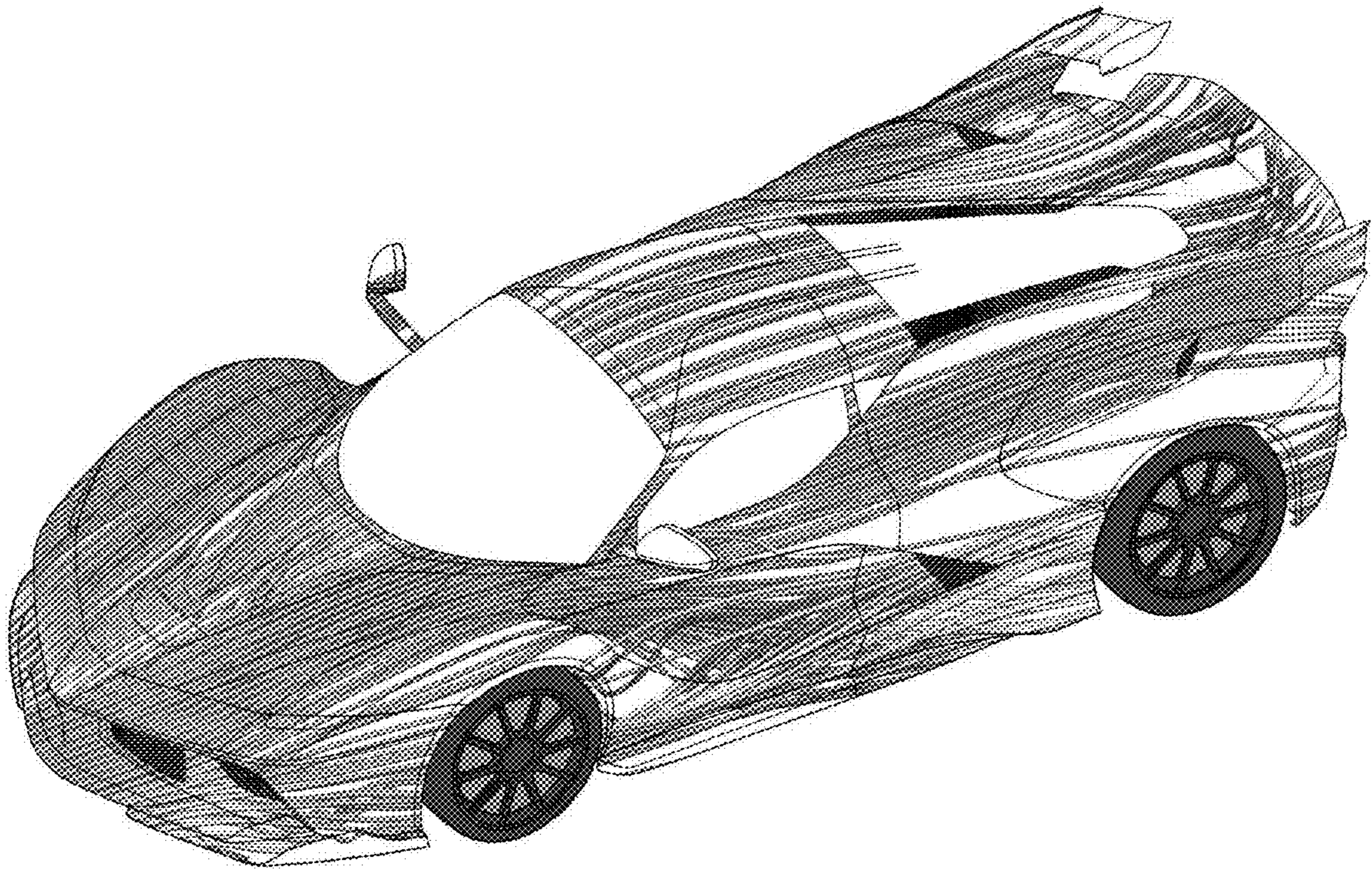
1.3



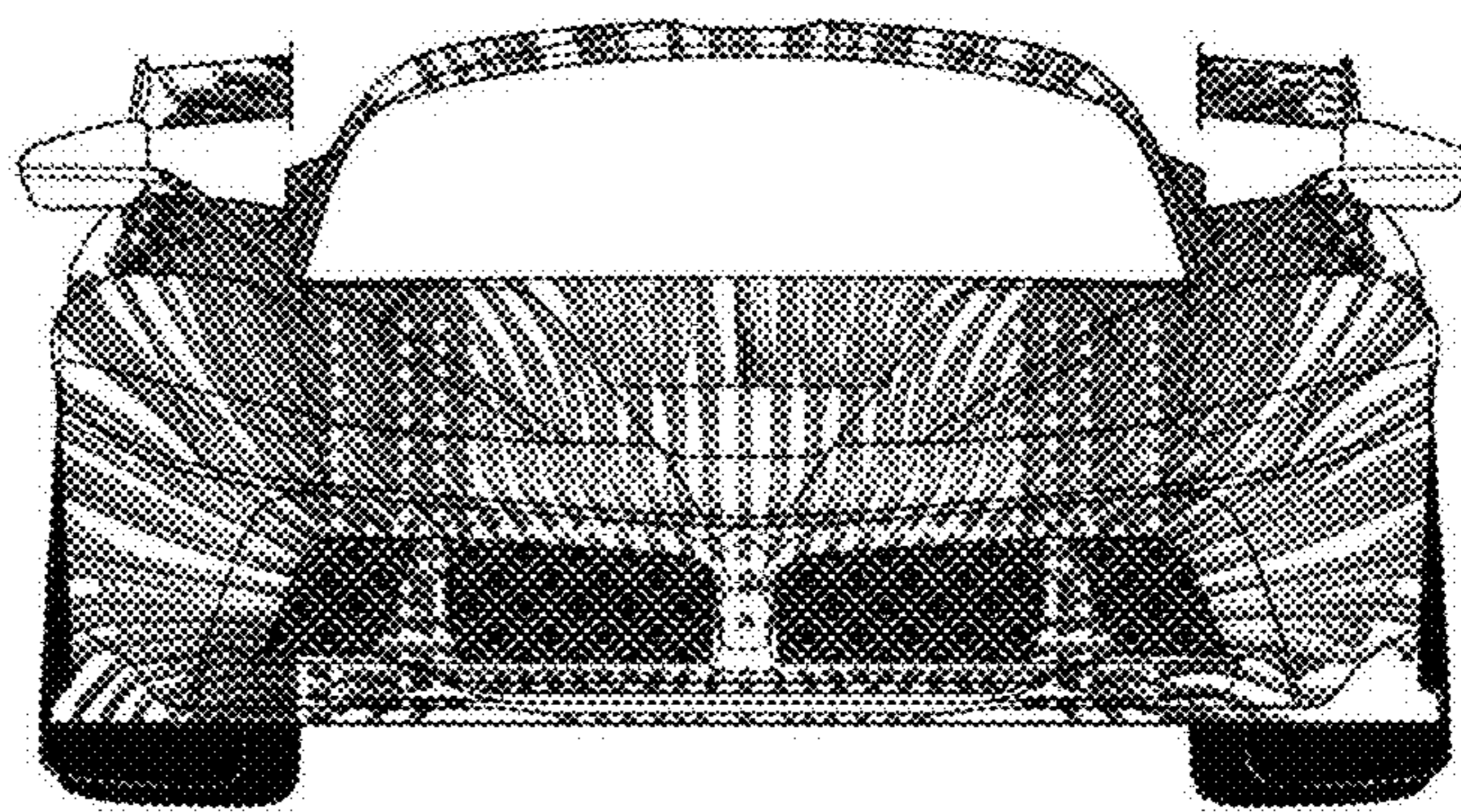
1.4



2.1

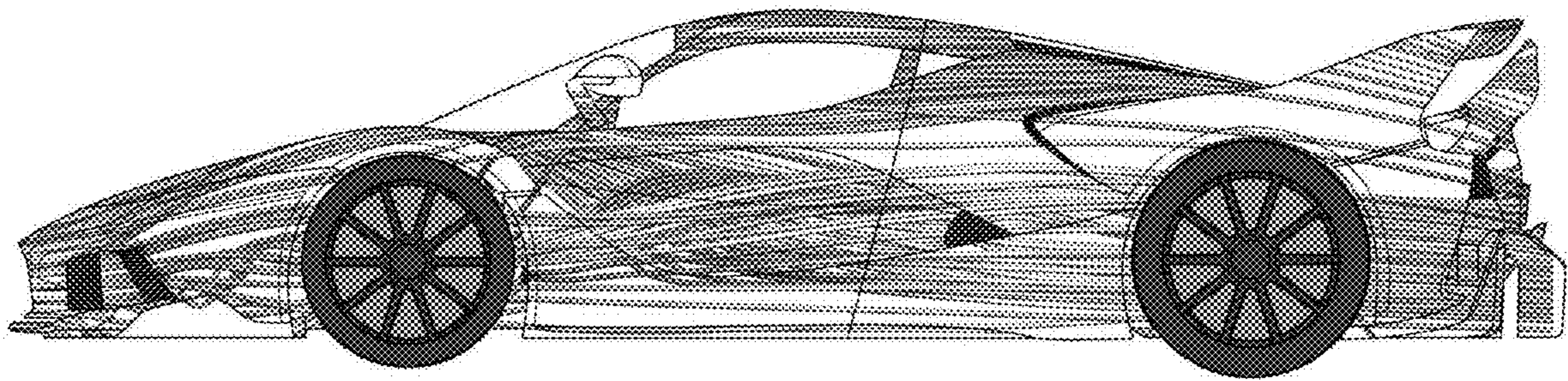


2.2





2.3



2.4

