

US00D960763S

(12) **United States Design Patent**
Vaccarello

(10) **Patent No.:** **US D960,763 S**
(45) **Date of Patent:** **** Aug. 16, 2022**

- (54) **CLASP**
- (71) Applicant: **YVES SAINT LAURENT**, Paris (FR)
- (72) Inventor: **Anthony Vaccarello**, Paris (FR)
- (73) Assignee: **Yves Saint Laurent**, Paris (FR)
- (**) Term: **15 Years**

D821,745 S * 7/2018 Dumas D3/232
 D852,497 S * 7/2019 Ferrero D3/243
 D880,865 S * 4/2020 Fusi D3/318
 D885,764 S * 6/2020 Ferrero D3/324
 (Continued)

- (21) Appl. No.: **29/699,275**
- (22) Filed: **Jul. 24, 2019**

FOREIGN PATENT DOCUMENTS

GB 9006644191-0001 * 7/2019

(30) **Foreign Application Priority Data**

Jul. 23, 2019 (EM) 006644191-0001

- (51) **LOC (13) Cl.** **02-07**
- (52) **U.S. Cl.**
USPC **D11/200; D3/318**
- (58) **Field of Classification Search**
USPC D11/201, 212, 215, 216, 218, 200,
D11/208-210, 214, 220, 221; D3/232,
D3/243, 318, 324; D8/315, 319, 320,
D8/349, 382
CPC A45C 3/06; A45C 13/1084; A45C 13/06;
A45C 13/08; A45C 13/14
See application file for complete search history.

OTHER PUBLICATIONS

PurseForum Saint laurent carre bag, Sep. 12, 2019, [online], [site visited Jan. 15, 2021]. Retrieved from url:https://forum.purseblog.com/threads/saint-laurent-carre-bag.1017300/ (Year: 2019).*

(Continued)

Primary Examiner — Tracey J Bell

(74) *Attorney, Agent, or Firm* — Rothwell, Figg, Ernst & Manbeck, P.C.

(56) **References Cited**

U.S. PATENT DOCUMENTS

1,805,795 A * 5/1931 Zeindlhofer A45C 13/06
292/162
D93,204 S * 9/1934 Carlile D11/221
2,280,999 A * 4/1942 Carlile A44B 19/262
24/419
D152,829 S * 2/1949 Rummelsburg D8/306
4,570,309 A * 2/1986 Ishii A44B 19/26
24/429
D324,660 S * 3/1992 Yuuki D11/200
D736,116 S * 8/2015 Schoenbeck D11/220
D816,329 S * 5/2018 Zeller D3/232

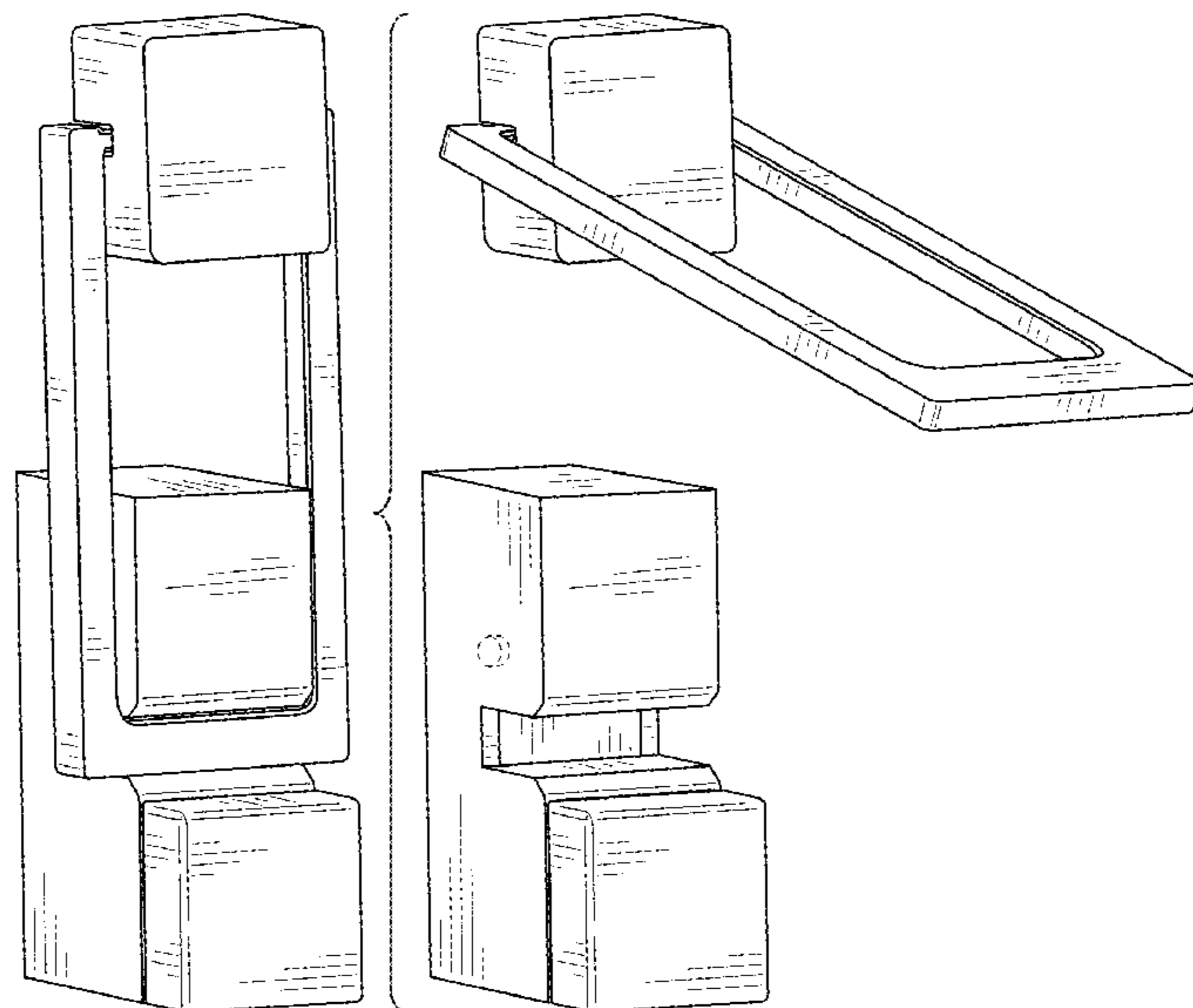
(57) **CLAIM**

The ornamental design for a clasp, as shown and described.

DESCRIPTION

FIG. 1 is a front left perspective view of a clasp showing my new design;
 FIG. 2 is a front view thereof;
 FIG. 3 is a rear view thereof;
 FIG. 4 is a left side view thereof;
 FIG. 5 is a right side view thereof;
 FIG. 6 is a top view thereof;
 FIG. 7 is a bottom view thereof;
 FIG. 8 is a front left perspective view of a clasp in open position thereof; and,
 FIG. 9 is a front left perspective view of a handbag and clasp thereof.
 The portions of FIG. 9 shown in broken lines form no part of the claimed design.

1 Claim, 4 Drawing Sheets



(56)

References Cited

U.S. PATENT DOCUMENTS

D889,824 S * 7/2020 Hanley D3/243
D889,825 S * 7/2020 Slimane D3/245
D897,662 S * 10/2020 Nichols D2/978

OTHER PUBLICATIONS

Le Carre Satchel, as archived on Jan. 15, 2021, [online], [site visited Sep. 11, 2021], Retrieved from url:<https://web.archive.org/web/20210115142013/https://www.ysl.com/en-us/le-carre/le-carre-satchel-in-box-saint-laurent-leather-6332141YF0W9207.html> (Year: 2021).*

YSL Instagram, May 27, 2020, [online], [site visited May 26, 2022], Retrieved from url:<https://www.instagram.com/p/CAs8bAbnuul/> (Year: 2020).*

* cited by examiner

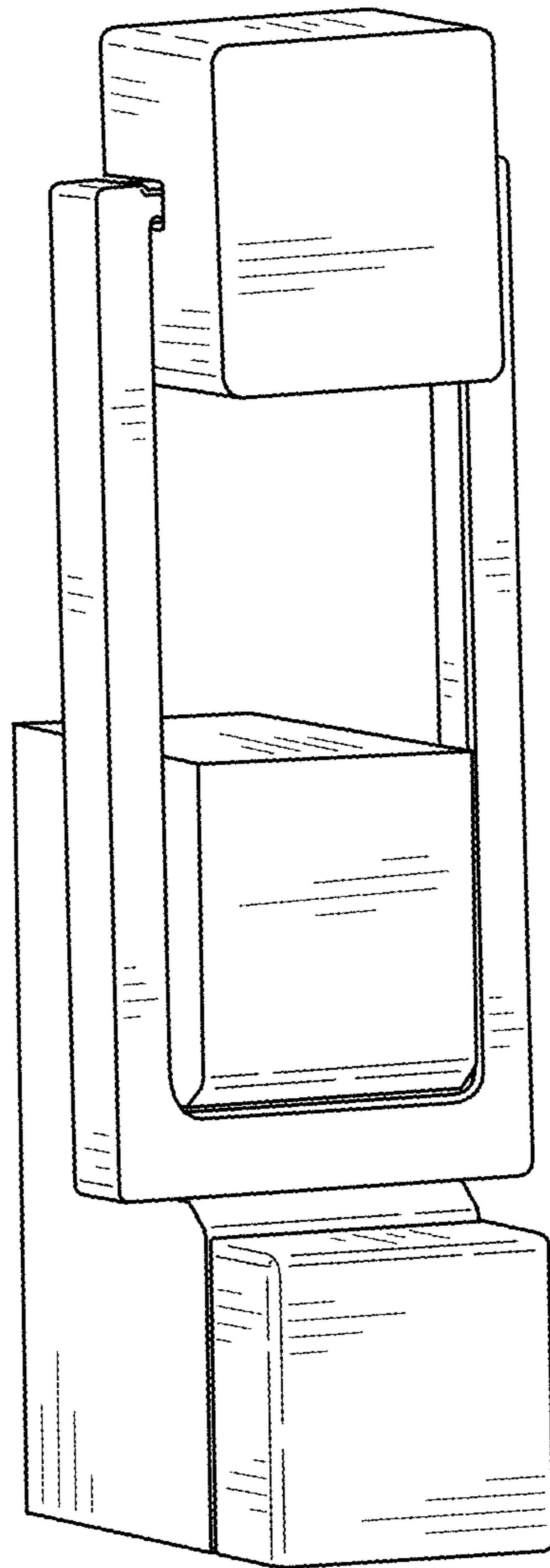


FIG. 1

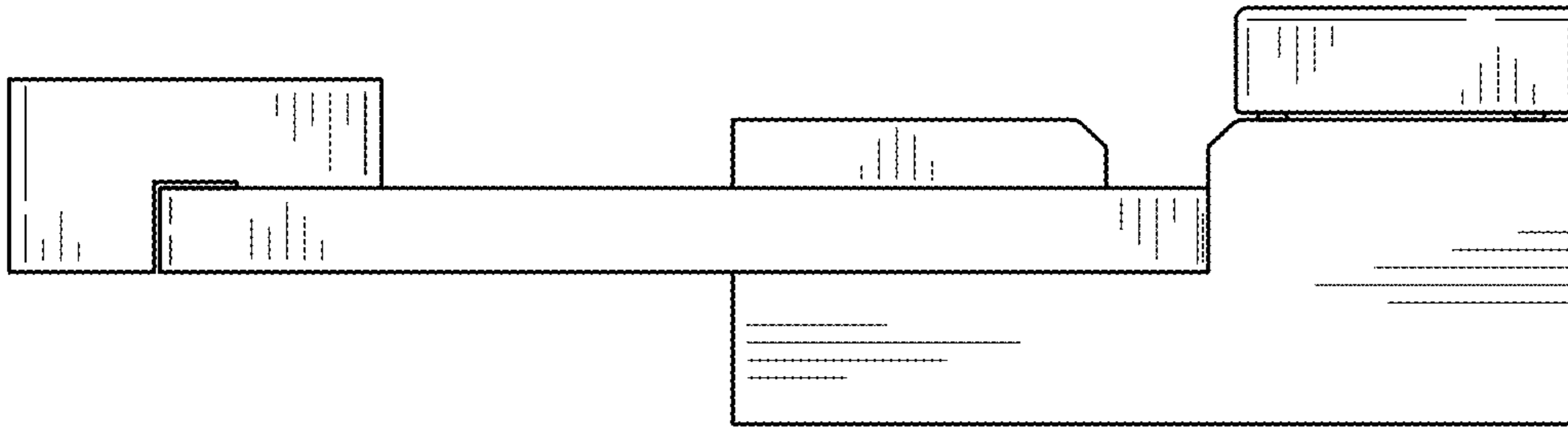


FIG. 5

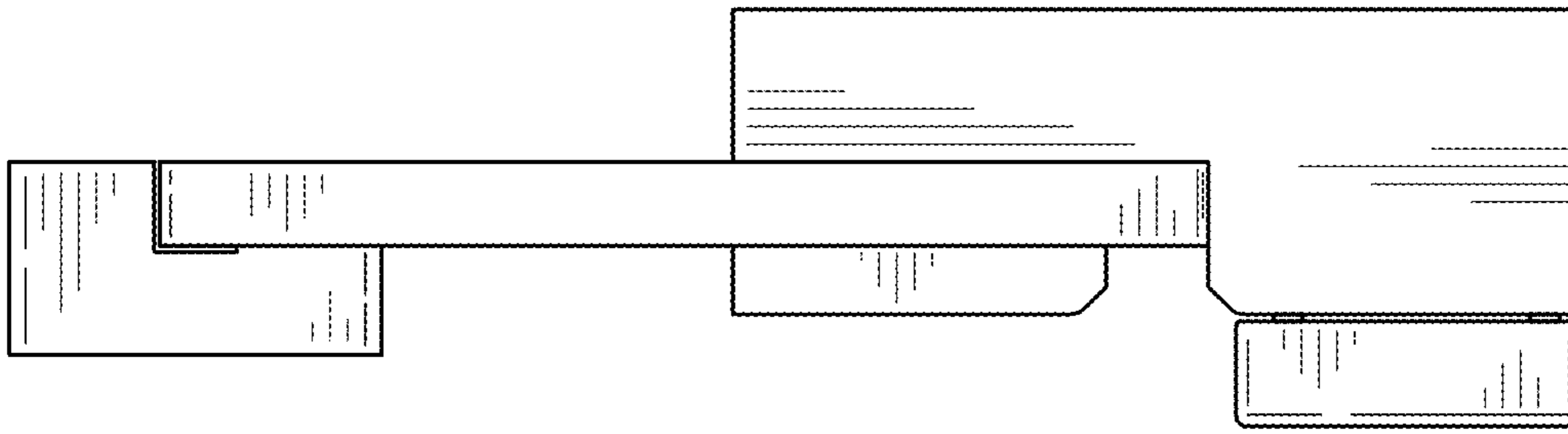


FIG. 4

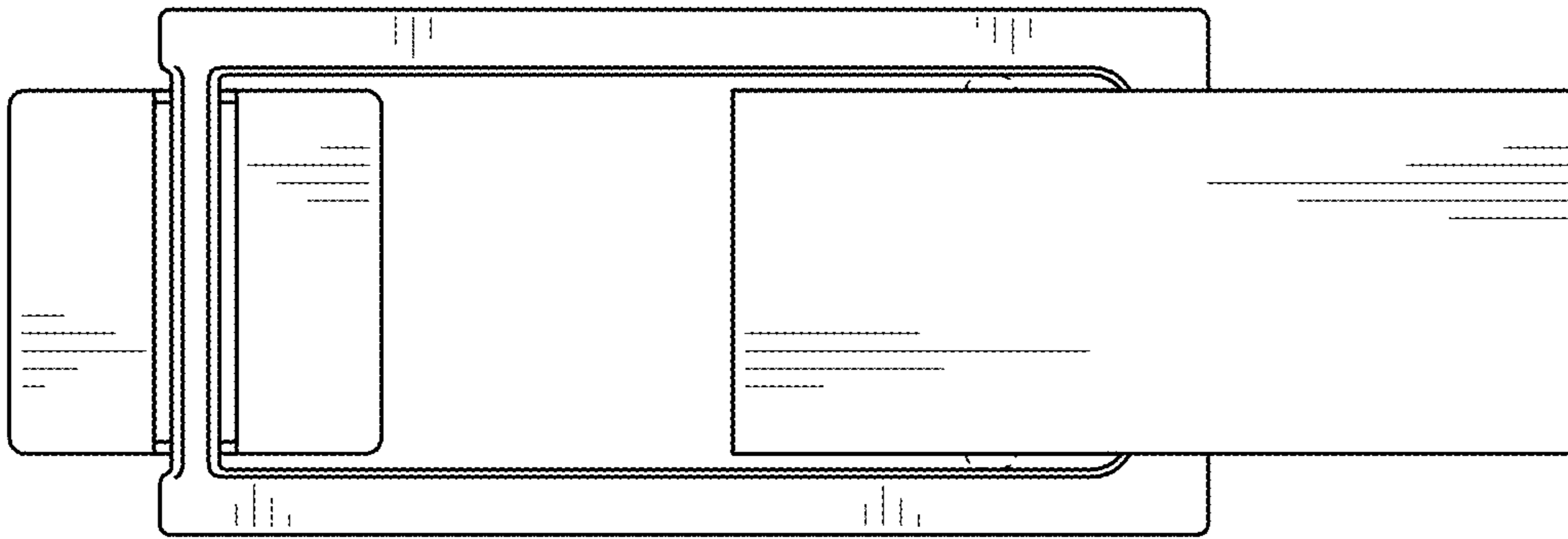


FIG. 3

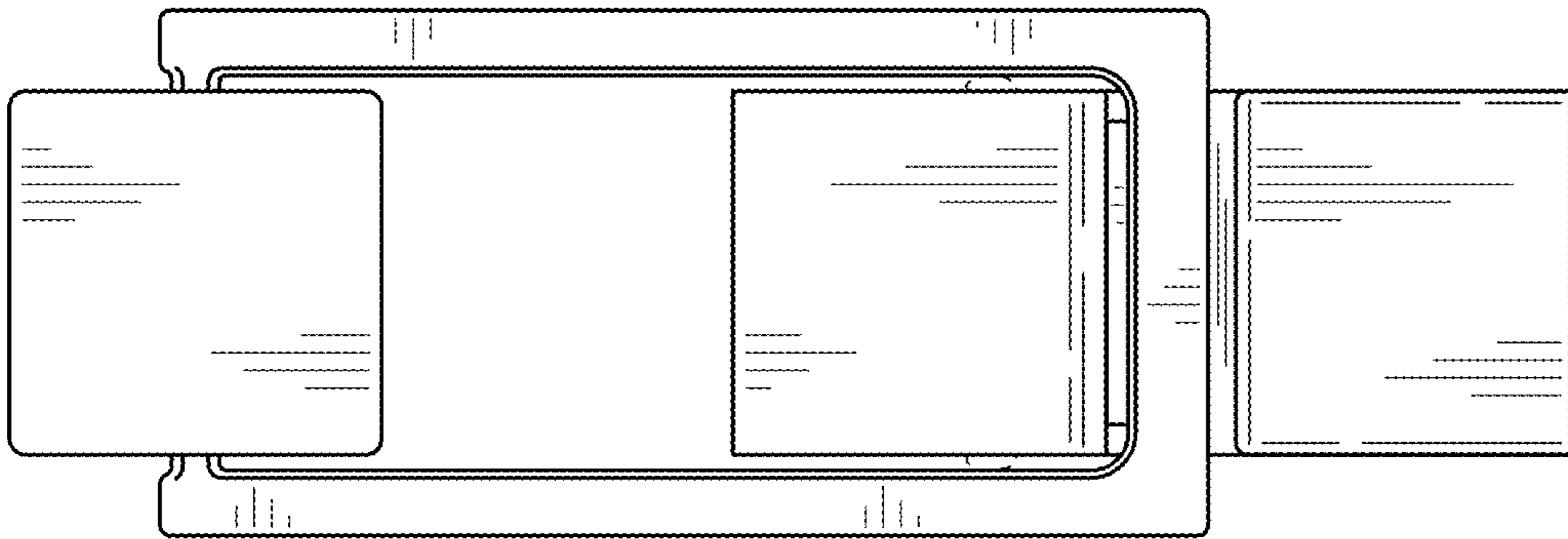


FIG. 2

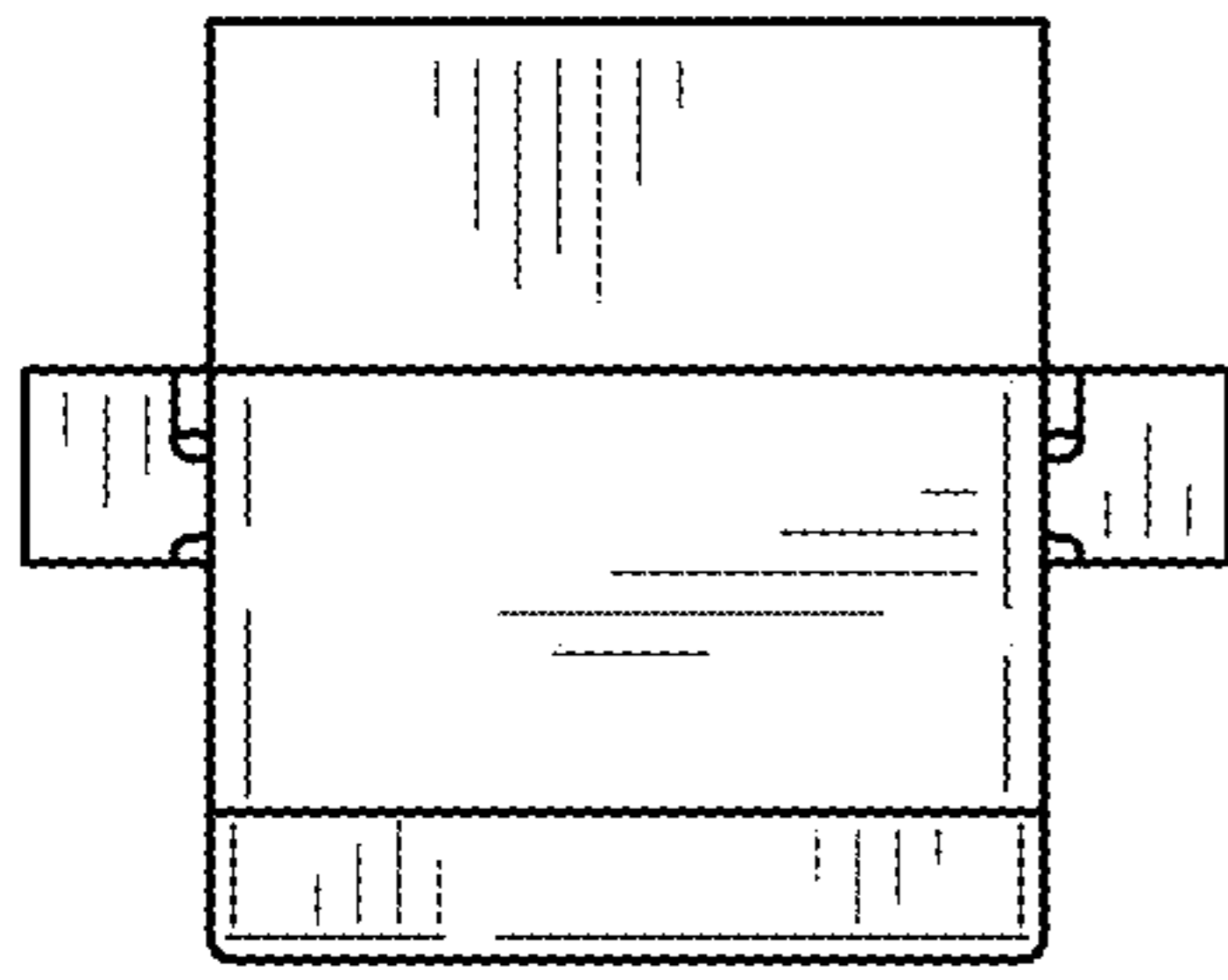


FIG. 6

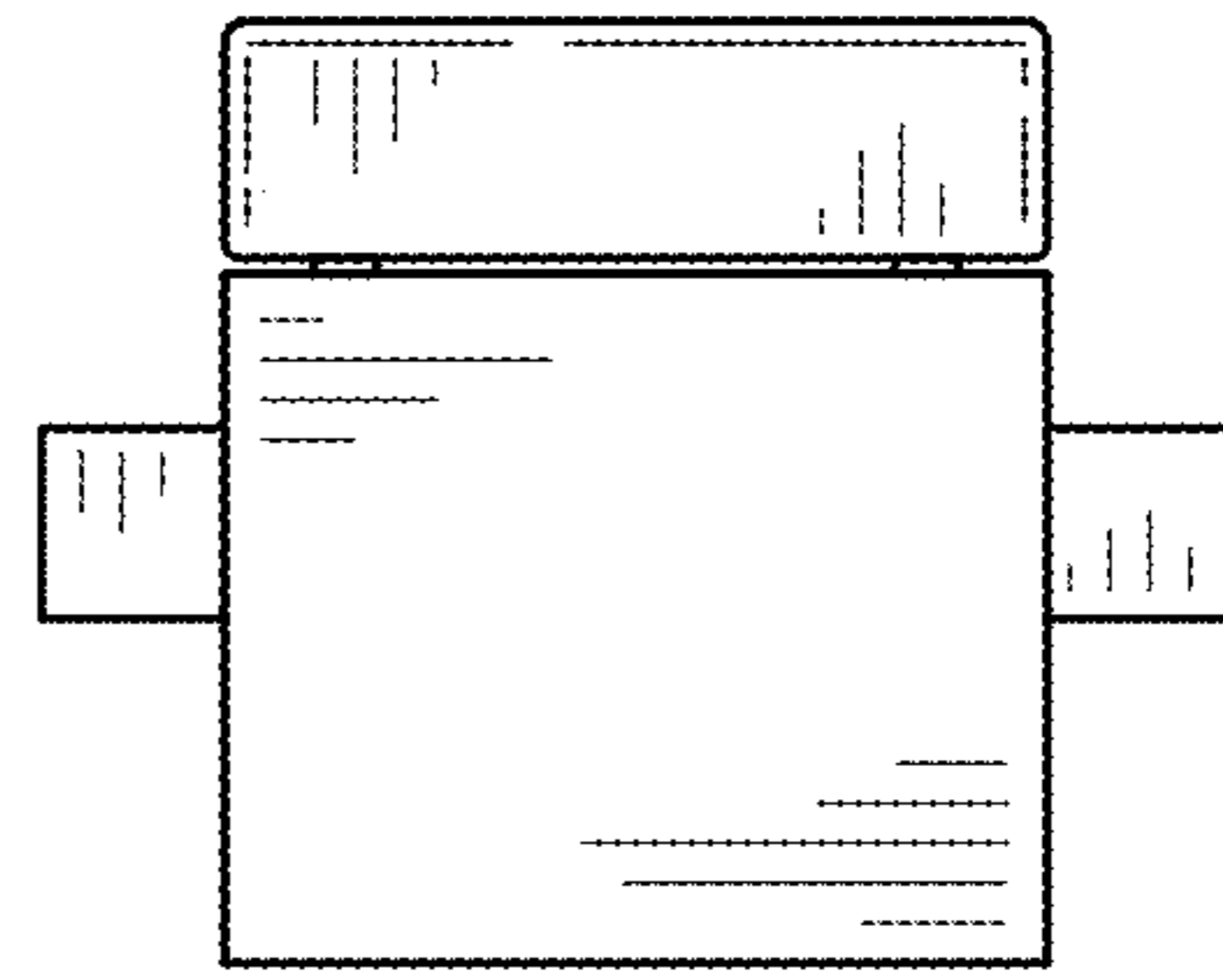


FIG. 7

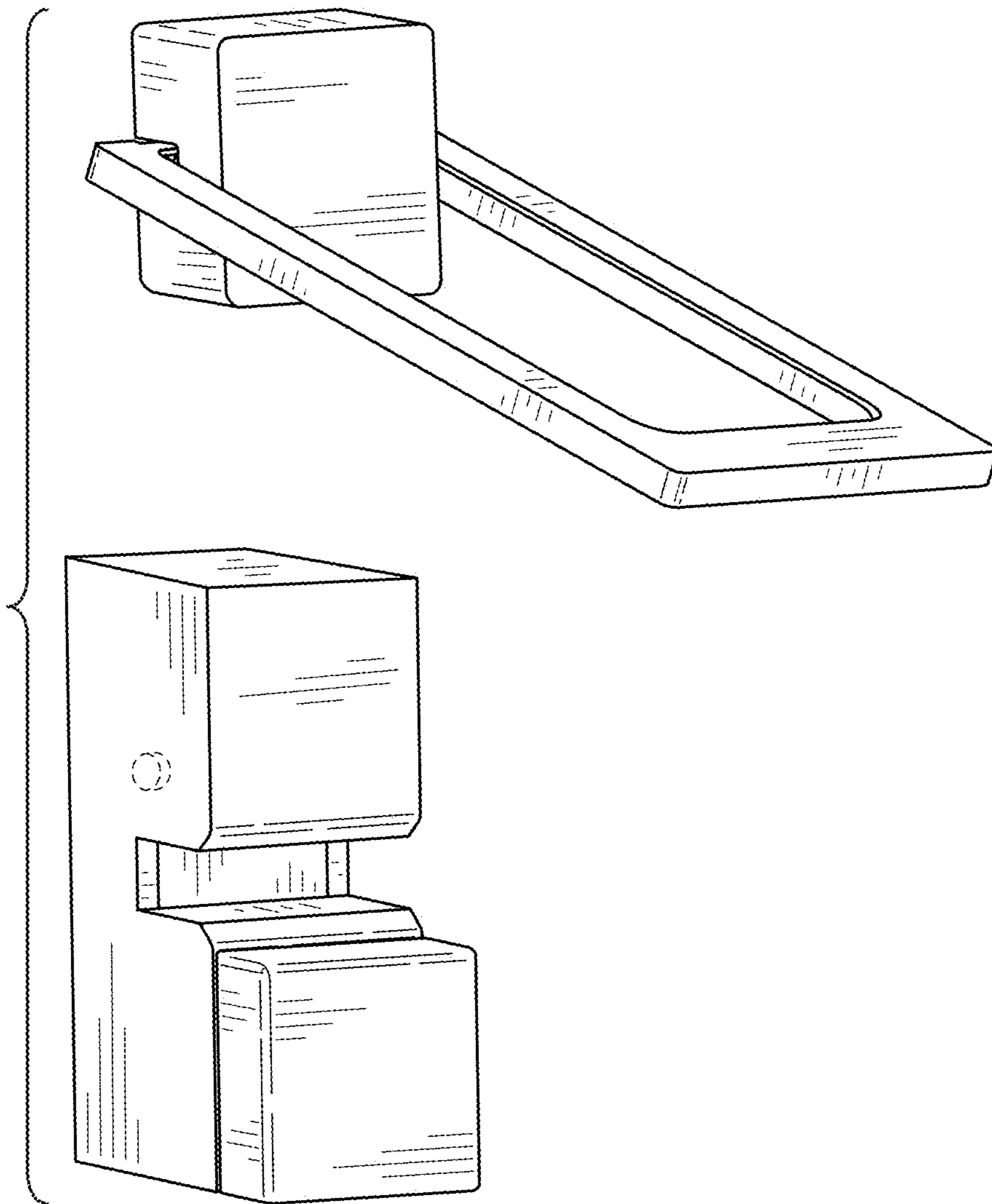


FIG. 8



FIG. 9