



US00D960762S

(12) **United States Design Patent** (10) **Patent No.:** **US D960,762 S**  
**Morris** (45) **Date of Patent:** **\*\* Aug. 16, 2022**

(54) **COMBINED BASE AND LEVITATING BALL**

(71) Applicant: **Flyte, LLC**, New York, NY (US)

(72) Inventor: **Simon Morris**, New York, NY (US)

(73) Assignee: **Flyte, LLC**, New York, NY (US)

(\*\*) Term: **15 Years**

(21) Appl. No.: **29/731,763**

(22) Filed: **Apr. 17, 2020**

(51) **LOC (13) Cl.** ..... **11-02**

(52) **U.S. Cl.**  
USPC ..... **D11/131**

(58) **Field of Classification Search**  
USPC ..... D11/131, 141-144, 157, 184; D21/398,  
D21/404, 465-467; D19/95-97  
CPC ..... H01F 7/0236; H02N 15/00; A63H 33/26  
See application file for complete search history.

(56) **References Cited**

U.S. PATENT DOCUMENTS

D122,265 S *	9/1940	Hanle	.....	D19/84
2,554,489 A *	5/1951	Crane	.....	A45D 33/005 401/125
D242,693 S *	12/1976	Kennedy	.....	D10/62
D319,263 S *	8/1991	Reed	.....	D19/88
D352,966 S *	11/1994	Vana	.....	D11/131
D353,747 S *	12/1994	Lanier	.....	D7/701
D373,195 S *	8/1996	Hoff	.....	D24/211
D414,190 S *	9/1999	Pinchuk	.....	D14/299
6,761,610 B2 *	7/2004	Fisher	.....	A63H 33/26 335/306
D675,955 S *	2/2013	De Togni	.....	D11/131
8,823,479 B2 *	9/2014	Wang	.....	H02N 15/00 335/306
D732,232 S *	6/2015	Fissell	.....	D26/94
D799,100 S *	10/2017	Morris	.....	D26/110
D802,825 S *	11/2017	Michael	.....	D26/93

D836,022 S *	12/2018	Morris	.....	D11/131
D844,796 S *	4/2019	Wise	.....	D24/211
D863,582 S *	10/2019	Wise	.....	D24/211
D885,202 S *	5/2020	Morris	.....	D10/15
D895,130 S *	9/2020	Wise	.....	D24/211
D905,316 S *	12/2020	Bie	.....	D26/93
D907,279 S *	1/2021	Bie	.....	D26/93
D910,864 S *	2/2021	Wise	.....	D24/211
D910,865 S *	2/2021	Wise	.....	D24/211
D912,303 S *	3/2021	Anastasiades	.....	D26/93
D912,880 S *	3/2021	Michael	.....	D26/93
11,175,305 B2 *	11/2021	Elmegreen	.....	G01P 15/18
D943,801 S *	2/2022	Bie	.....	D26/94
2007/0170798 A1 *	7/2007	Gohin	.....	H02N 15/00 310/90.5
2010/0199476 A1 *	8/2010	Cummings	.....	A61G 17/08 27/1
2013/0116100 A1 *	5/2013	Chen	.....	A63B 26/003 482/146
2017/0273850 A1 *	9/2017	Wise	.....	A61H 7/001
2022/0014121 A1 *	1/2022	Chargueraud	.....	H01F 7/0236

\* cited by examiner

*Primary Examiner* — W. A. Teddy Falloway

(74) *Attorney, Agent, or Firm* — Greenberg Traurig LLP;  
Nigamnarayan Acharya

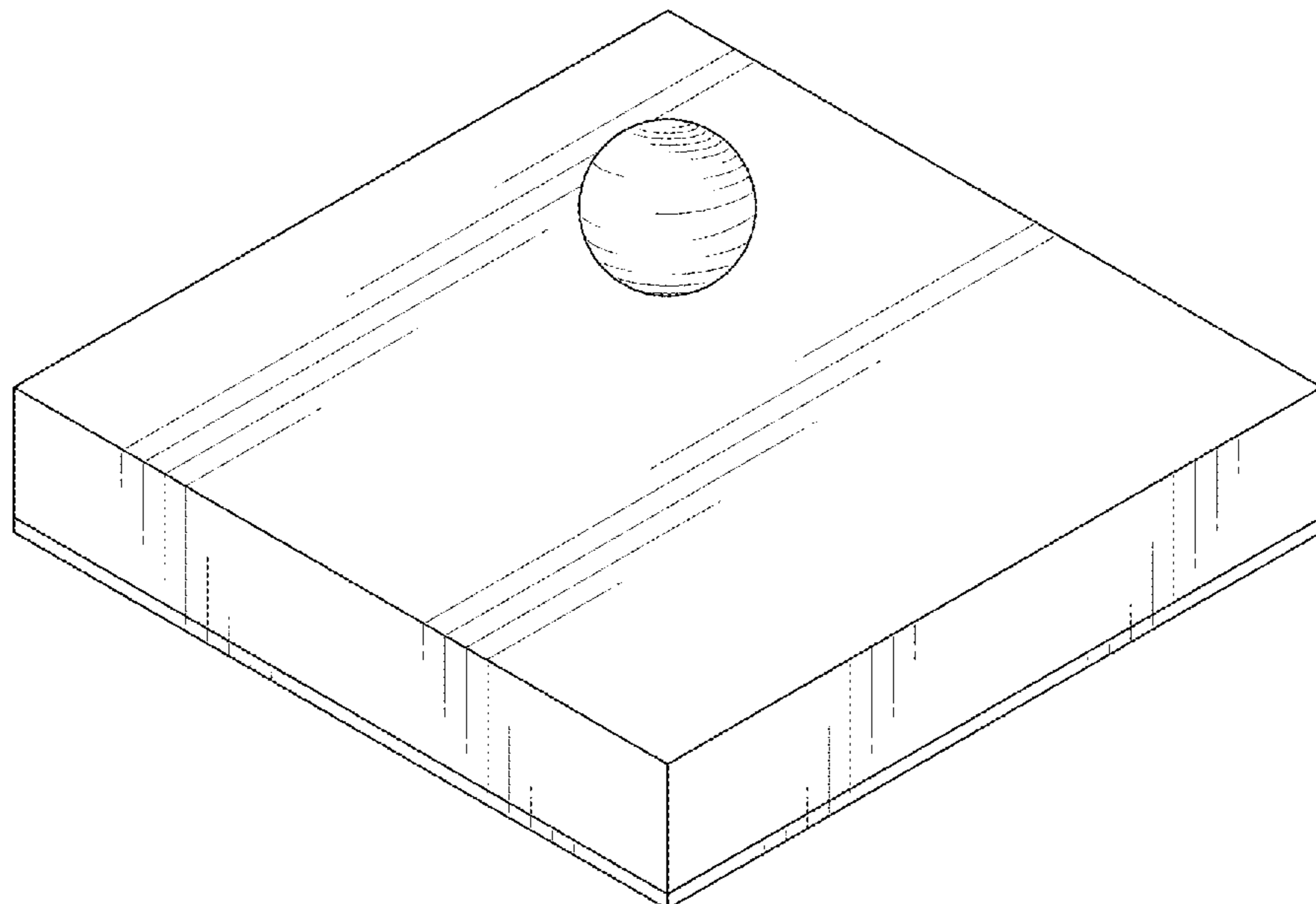
(57) **CLAIM**

The ornamental design for a combined base and levitating ball, as shown and described.

**DESCRIPTION**

FIG. 1 is a perspective view of a combined base and levitating ball;  
FIG. 2 is a side view thereof, with the opposite side being identical;  
FIG. 3 is another side view thereof, with the opposite side being identical;  
FIG. 4 is a top view thereof; and,  
FIG. 5 is a bottom perspective view thereof.

**1 Claim, 4 Drawing Sheets**



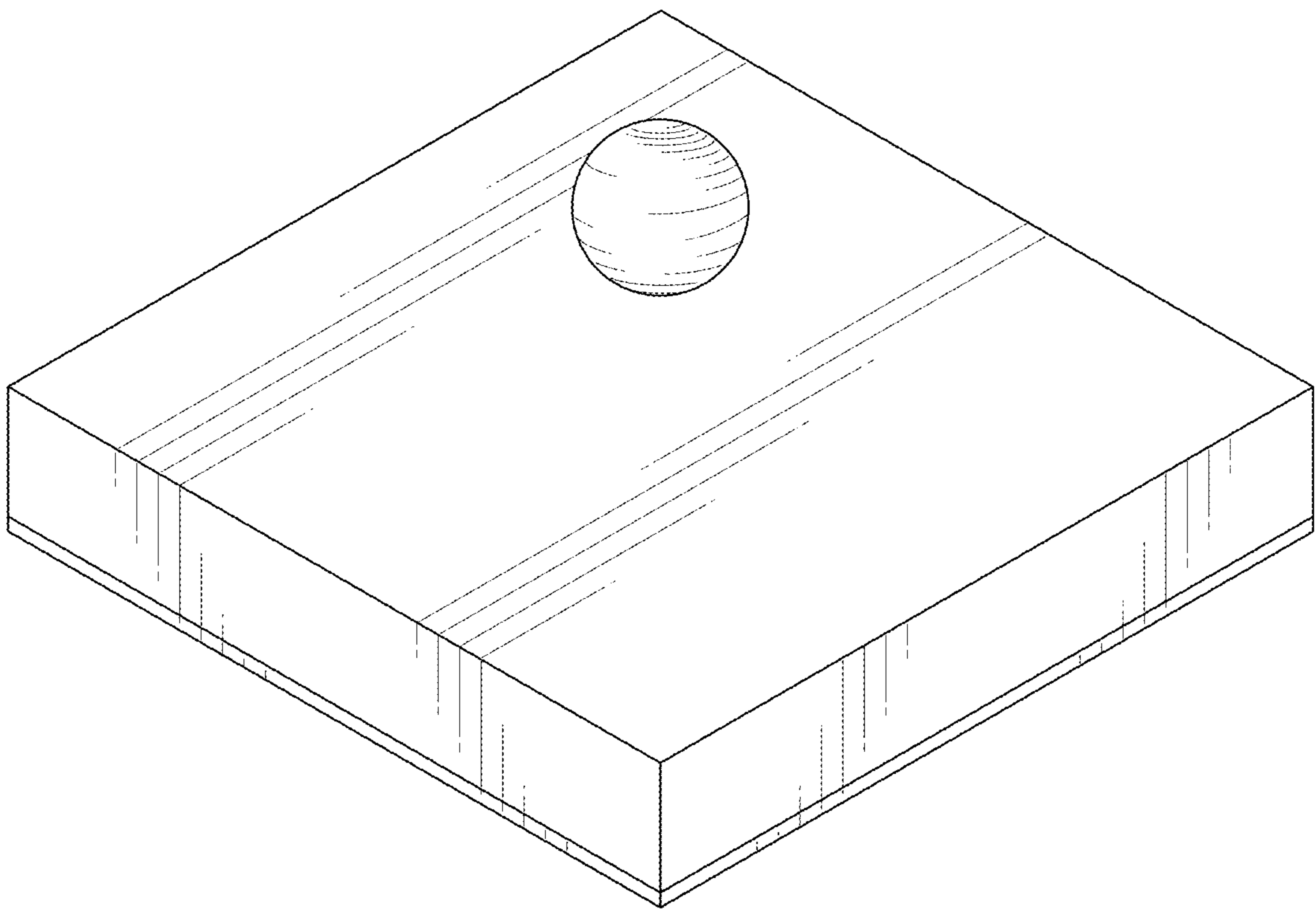


FIG. 1

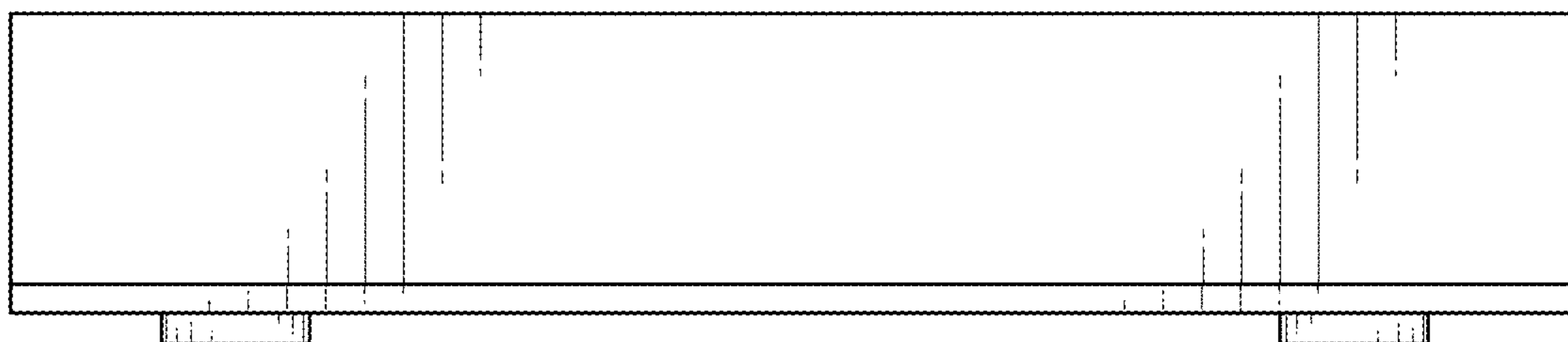
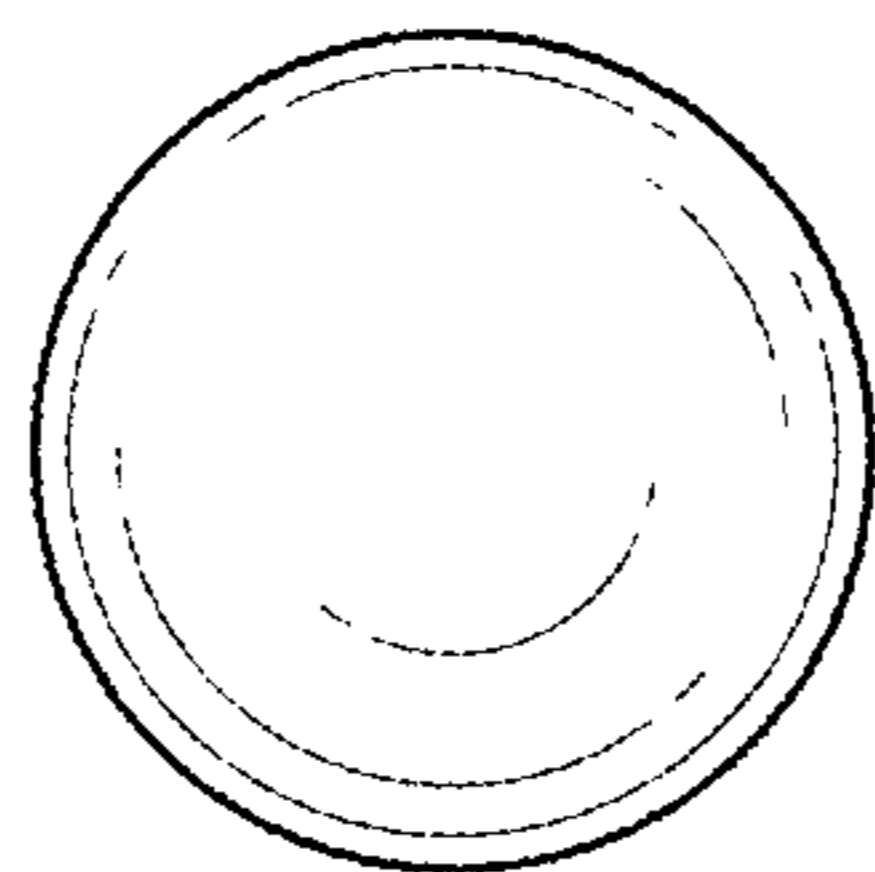


FIG. 2

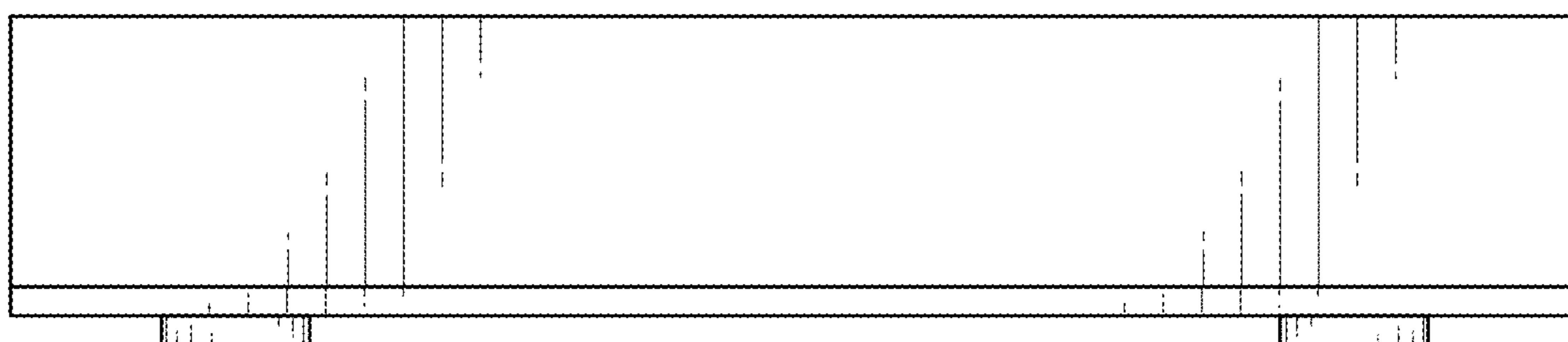
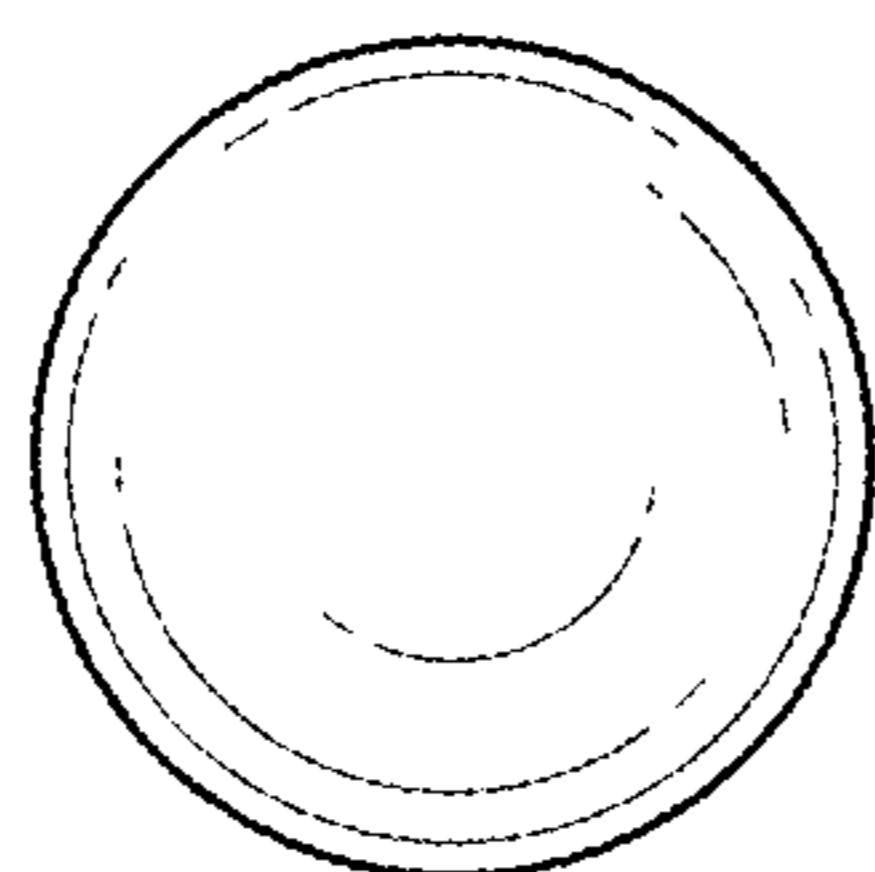


FIG. 3

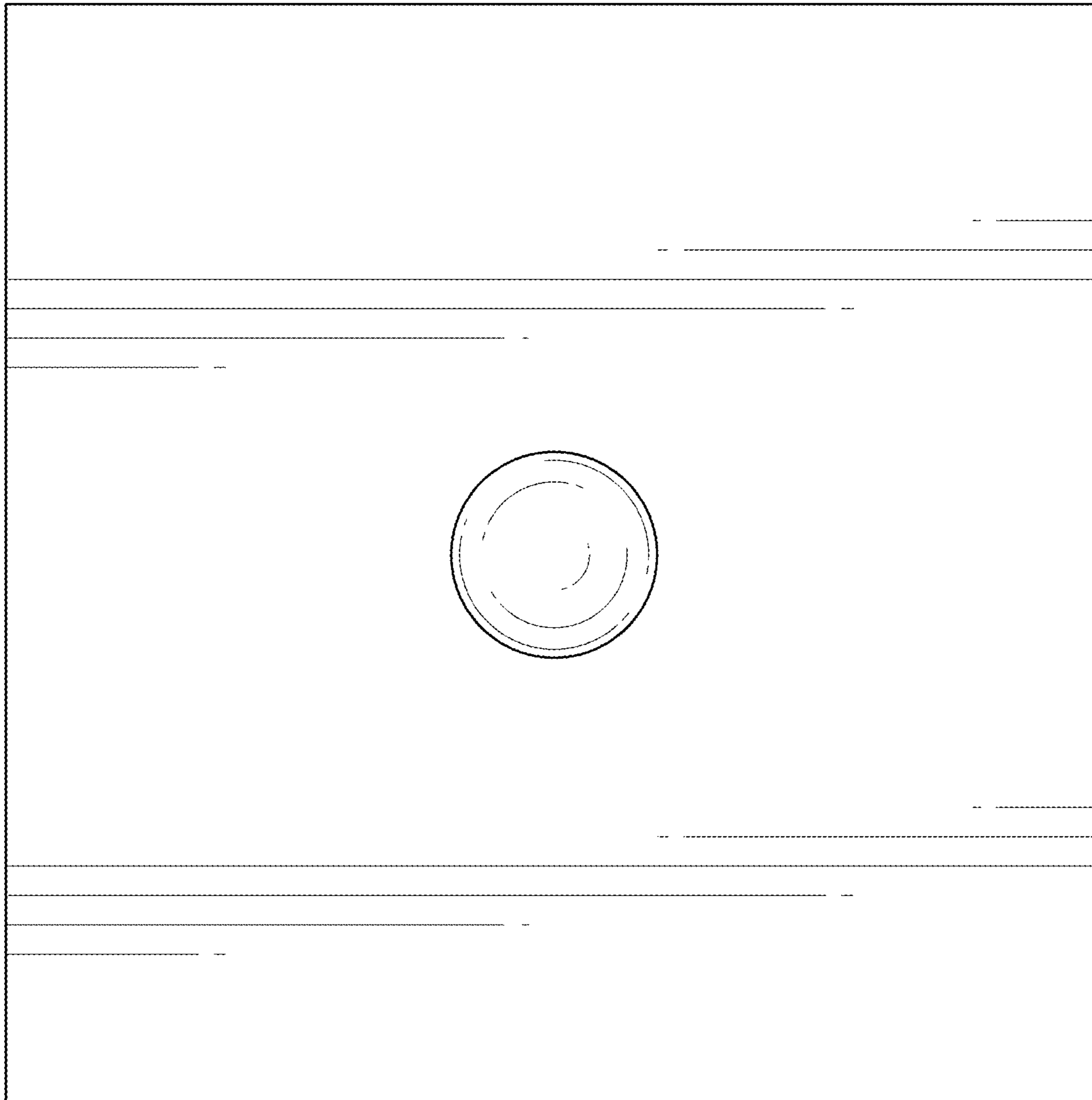


FIG. 4

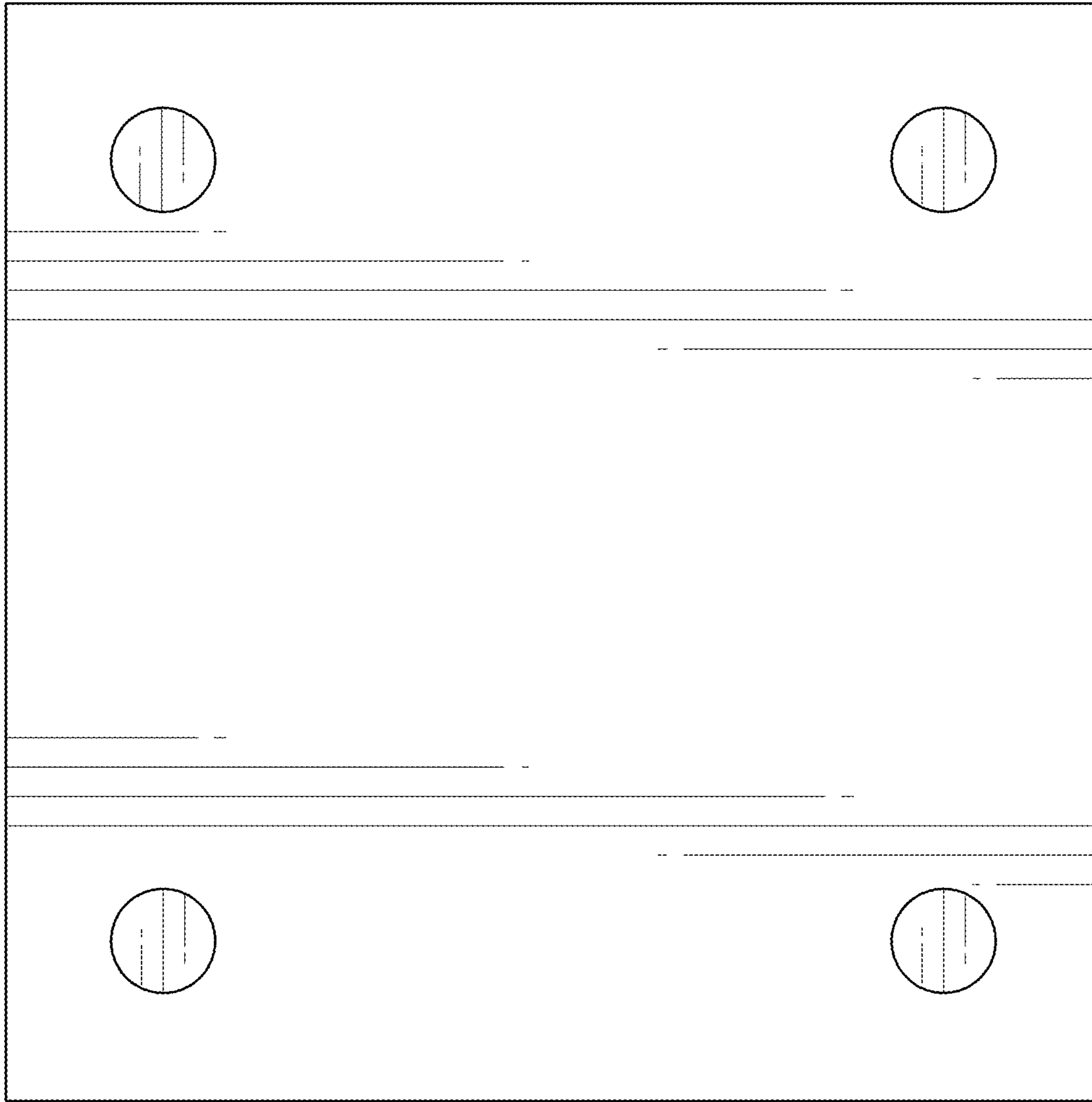


FIG. 5