



US00D960761S

(12) **United States Design Patent** (10) **Patent No.:** **US D960,761 S**
De Hantsetters (45) **Date of Patent:** **** Aug. 16, 2022**

(54) **PRECIOUS STONE**
(71) Applicant: **LOUIS VUITTON MALLETIER**,
Paris (FR)
(72) Inventor: **Bart De Hantsetters**, Antwerp (BE)
(73) Assignee: **Louis Vuitton Malletier**, Paris (FR)
(**) Term: **15 Years**
(21) Appl. No.: **35/509,096**

D442,880 S 5/2001 Zimet et al.
D447,439 S 9/2001 Zimet et al.
D449,558 S 10/2001 Cheng
D462,921 S * 9/2002 Yaskil D11/90
D463,314 S * 9/2002 Elishyov D11/90
D463,753 S 10/2002 Cheng
D464,904 S 10/2002 Yacoubian
D465,742 S 11/2002 Yacoubian
D466,044 S * 11/2002 Yacoubian D11/90
D467,516 S 12/2002 Yacoubian
D481,327 S 10/2003 Ho
D485,205 S 1/2004 Yuan
D493,381 S 7/2004 Yuan
D497,829 S * 11/2004 Yaskil D11/90

(22) Filed: **Apr. 11, 2019**

(Continued)

(80) **Hague Agreement Data**

FOREIGN PATENT DOCUMENTS

Int. Filing Date: **Apr. 11, 2019**
Int. Reg. No.: **DM/206969**
Int. Reg. Date: **Apr. 11, 2019**
Int. Reg. Pub. Date: **Apr. 17, 2020**

WO DM026076 7/1993
WO DM045419 12/1998

(Continued)

(30) **Foreign Application Priority Data**

OTHER PUBLICATIONS

Oct. 12, 2018 (FR) 2018-4627
Oct. 12, 2018 (FR) 2018-4629

[Online] <https://www.wmagazine.com/story/vuitton-diamond>. Posted online Nov. 1, 2008. Retrieved Jul. 13, 2021.*

(51) **LOC (13) Cl.** **11-01**
(52) **U.S. Cl.**
USPC **D11/90**

Primary Examiner — Melanie Pellegrini

(74) *Attorney, Agent, or Firm* — Fross Zelnick Lehrman & Zissu, P.C.; Charles T. J. Weigell, Esq.

(58) **Field of Classification Search**
USPC D11/89, 90, 91, 92, 1, 2, 34, 35, 36
CPC A44C 17/00; A44C 17/001; A44C 17/002;
A44C 17/003; A44C 17/005; A44C
17/006; A44C 17/007; A44C 17/008;
A44C 17/02; A44C 17/0208; A44C
17/0216; A44C 17/0225; A44C 17/0233;
A44C 17/0241; A44C 17/025; A44C
17/0258; A44C 17/0266; A44C 17/0275;
A44C 17/0283; A44C 17/0291

(57) **CLAIM**

The ornamental design for a precious stone, as shown and described.

See application file for complete search history.

DESCRIPTION

(56) **References Cited**

1.1: perspective

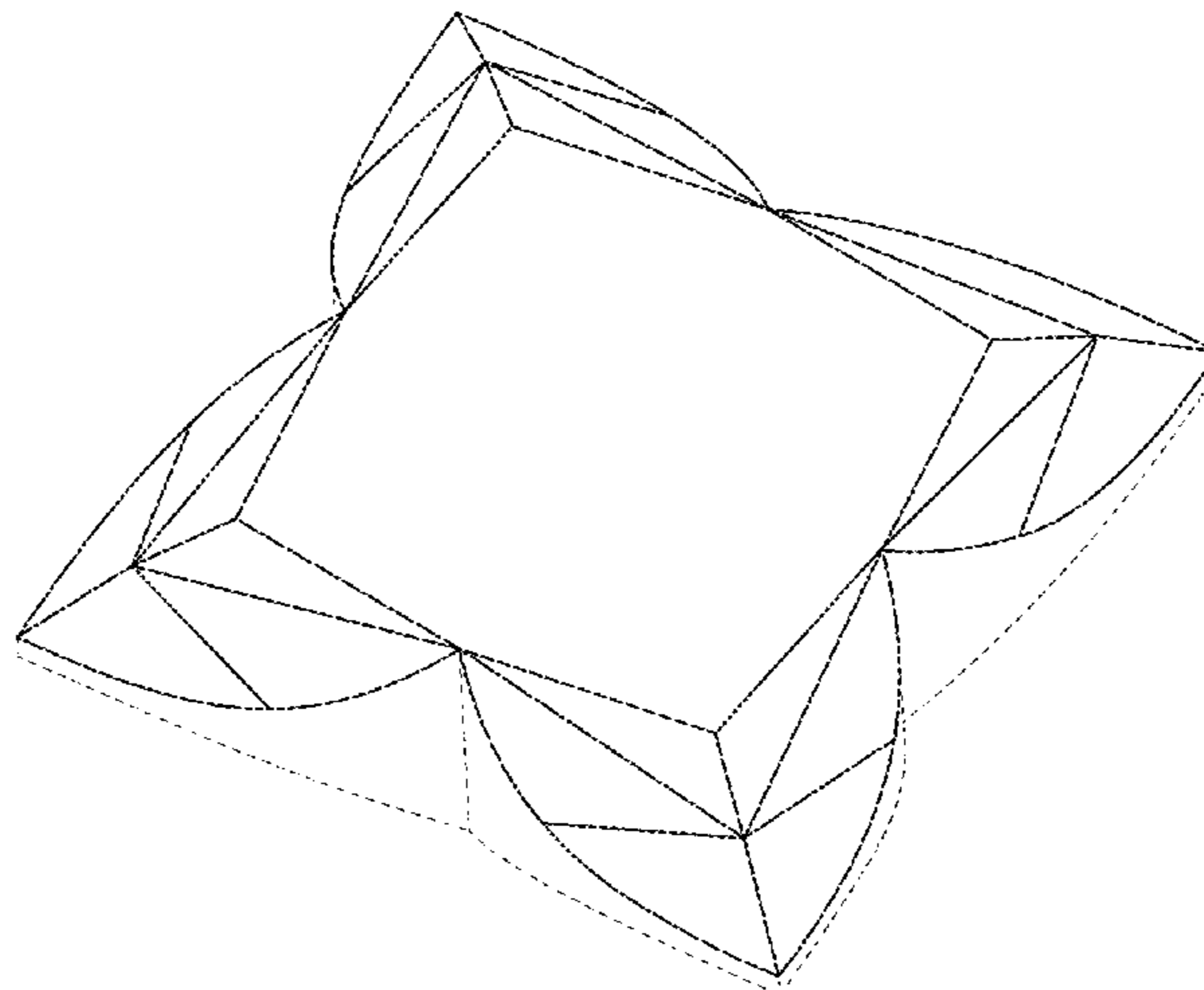
1.2: top

The dotted broken lines in the drawings represent environmental matter that forms no part of the claimed design.

U.S. PATENT DOCUMENTS

D384,592 S * 10/1997 Siman-Tov D11/90
D398,552 S 9/1998 Siman-tov et al.

1 Claim, 2 Drawing Sheets



(56)

References Cited

U.S. PATENT DOCUMENTS

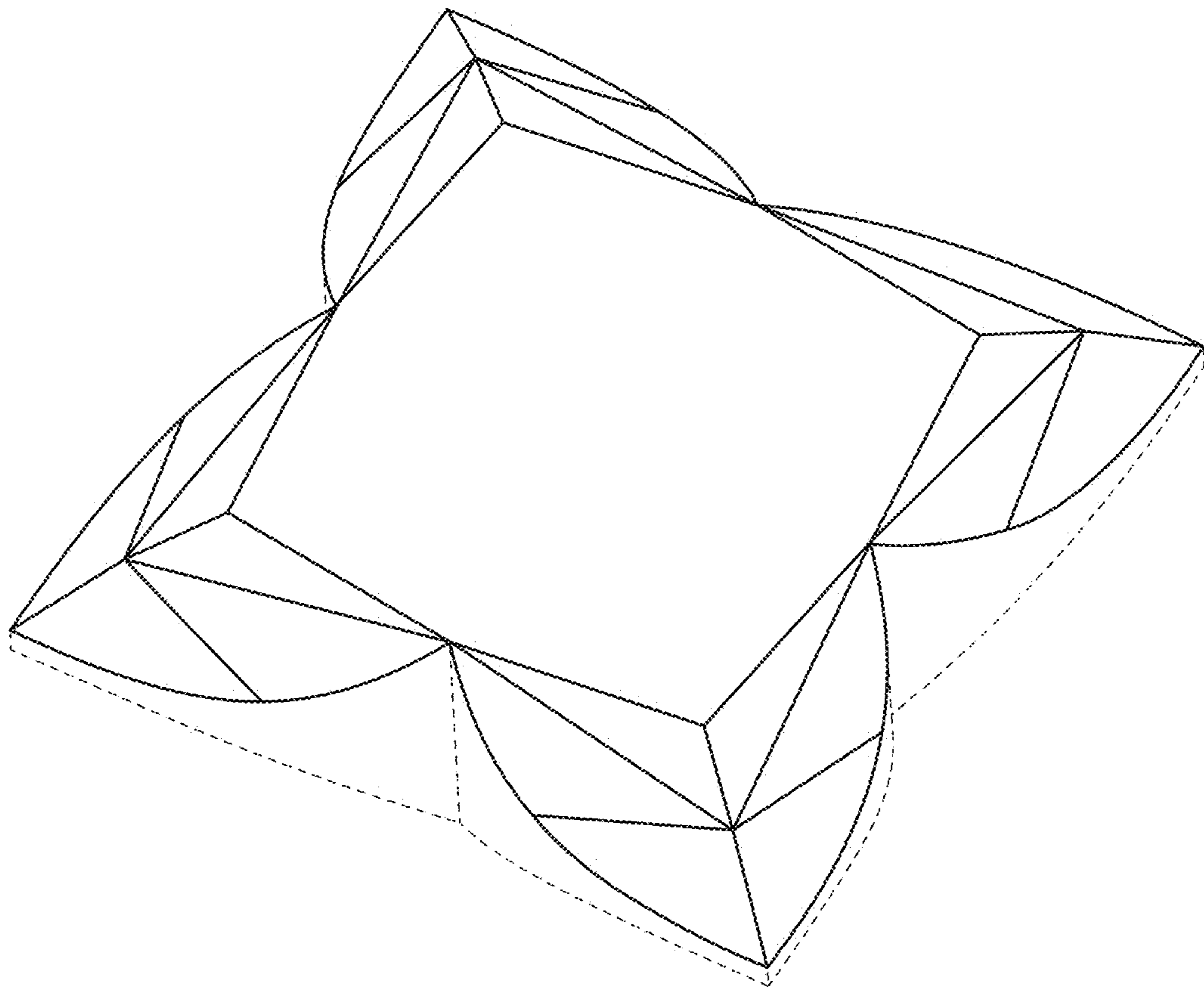
D506,946 S 7/2005 Ishii
 D512,935 S 12/2005 Gershi
 D513,205 S 12/2005 Ho
 D526,237 S 8/2006 Yuan
 D528,461 S 9/2006 Siman-tov et al.
 D530,643 S 10/2006 Yuan
 D544,391 S 6/2007 Winkler
 D553,540 S * 10/2007 Siman-Tov D11/90
 D554,558 S * 11/2007 Siman-Tov D11/90
 D589,395 S 3/2009 Siman-tov et al.
 D593,434 S 6/2009 Swarovski
 D594,771 S 6/2009 Neuner
 D605,973 S 12/2009 Taran
 D607,367 S * 1/2010 Schweiger D11/89
 D608,240 S 1/2010 Swarovski
 D624,844 S 10/2010 So
 D625,646 S * 10/2010 Gersh D11/89
 D627,254 S 11/2010 Gersh
 D632,995 S 2/2011 Husar et al.
 D633,408 S 3/2011 So
 D633,817 S 3/2011 So
 D633,818 S 3/2011 So
 D641,276 S 7/2011 Greppi
 D643,771 S 8/2011 Aletto

D648,648 S 11/2011 Richter
 D652,760 S 1/2012 Greppi
 D662,439 S 6/2012 Kejejian
 D662,851 S 7/2012 Siman-tov et al.
 D684,883 S * 6/2013 Siman-tov D11/89
 D684,884 S * 6/2013 Siman-tov D11/89
 D703,575 S * 4/2014 Shimansky D11/89
 D703,576 S 4/2014 Shimansky
 D727,781 S 4/2015 Ghassabian
 D739,292 S 9/2015 Hamers
 D795,126 S 8/2017 Yurman et al.
 D892,671 S * 8/2020 Buccellati D11/90

FOREIGN PATENT DOCUMENTS

WO DM/051559 6/2000
 WO DM100583-56 4/2018
 WO DM100583-59 4/2018
 WO DM100583-62 4/2018
 WO DM100583-68 4/2018
 WO DM100583-72 4/2018
 WO DM100583-76 4/2018
 WO DM206969 4/2020
 WO DM/212543 2/2021
 WO DM/212544 2/2021

* cited by examiner



1.1

