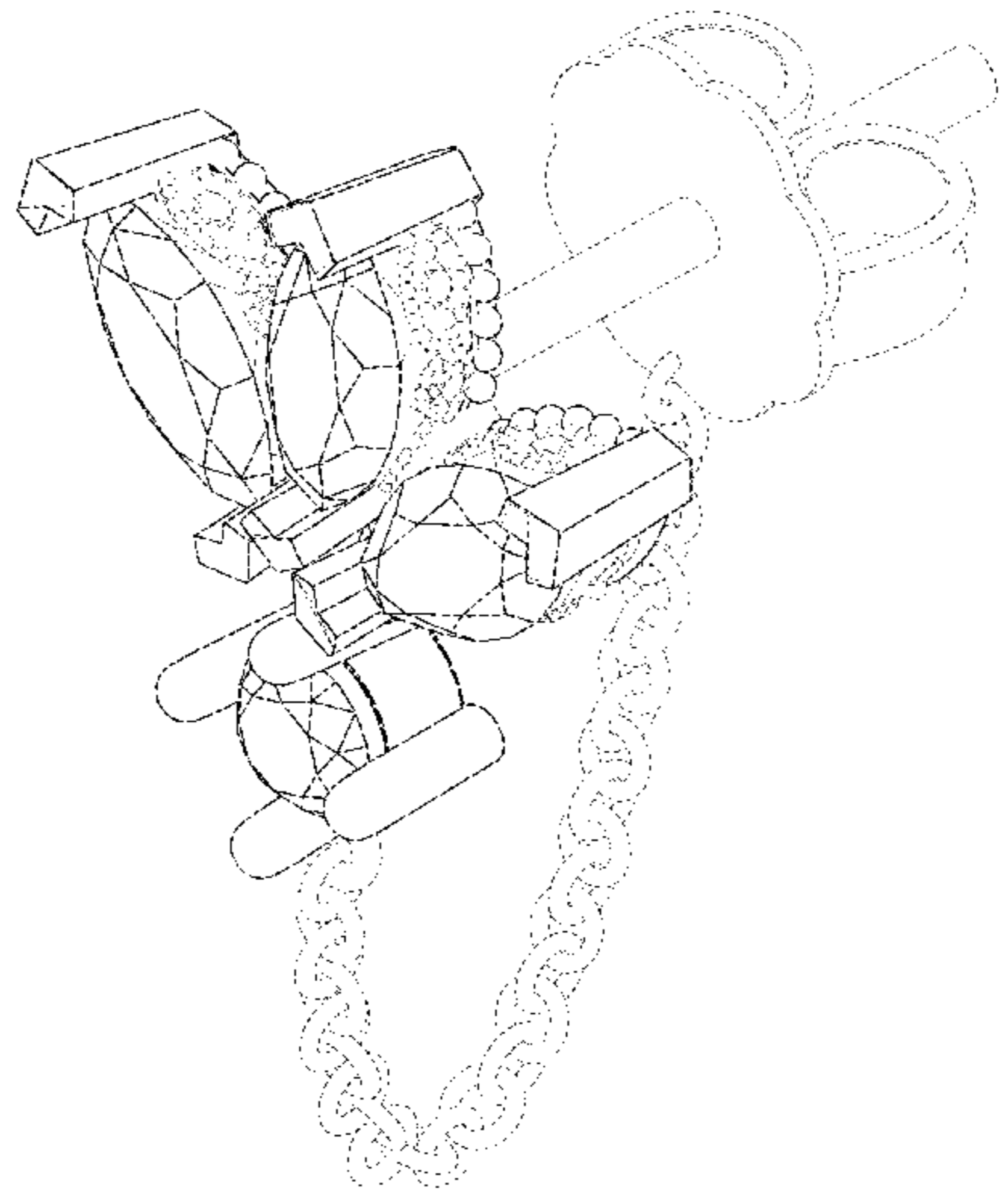


US00D960759S

(12) **United States Design Patent** (10) **Patent No.:** **US D960,759 S**
Tashjian (45) **Date of Patent:** **** Aug. 16, 2022**

- (54) **EARRING** 292,810 A 2/1884 Hartmann
D32,523 S 4/1900 Zell
(71) Applicant: **Venus by Maria Tash, Inc.**, New York, NY (US) D88,265 S * 11/1932 Stern D11/90
D88,266 S * 11/1932 Stern D11/90
D136,958 S 10/1943 Rubel
(72) Inventor: **Maria Tashjian**, New York, NY (US) D137,112 S 10/1943 Rubel
D139,254 S 8/1944 Philippe
(73) Assignee: **Venus by Maria Tash, Inc.**, New York, NY (US) D150,589 S 9/1947 Katz
D150,612 S 10/1947 Katz
D151,171 S 1/1948 Philippe
D154,608 S 1/1949 Katz
(**) Term: **15 Years** D156,271 S 7/1949 Philippe
D156,312 S 8/1949 Bogoff
(21) Appl. No.: **29/799,167** D159,118 S 2/1950 Weinberg
2,502,386 A 3/1950 Mailand
(22) Filed: **Jul. 13, 2021** D159,410 S * 7/1950 Frackman D11/91
D161,286 S 9/1950 Semensohn
D161,289 S 9/1950 Semensohn
Related U.S. Application Data D162,461 S 12/1950 Philippe
D164,946 S 7/1951 Philippe
(63) Continuation of application No. 29/758,997, filed on Nov. 19, 2020, now Pat. No. Des. 929,252, which is a continuation of application No. 29/698,112, filed on Jul. 15, 2019, now Pat. No. Des. 902,772. D169,726 S 1/1953 Bell
D170,349 S 5/1953 Bell
D170,266 S 6/1953 Katz
D171,728 S 11/1953 Philippe
D171,708 S 3/1954 Katz
(51) **LOC (13) Cl.** **11-01** D173,990 S 2/1955 Katz
(52) **U.S. Cl.** D176,782 S 1/1956 Katz
USPC **D11/40; D11/91** D177,121 S 3/1956 Katz
(58) **Field of Classification Search** D177,130 S * 3/1956 Katz D11/45
D177,131 S * 3/1956 Katz D11/45
USPC D11/40-49, 1, 3, 4, 716, 79-86, 89, 90, D187,812 S 5/1960 Randall
D11/91, 92, 118, 124, 125 3,382,589 A 5/1968 Dowling
CPC A44C 7/00; A44C 7/002; A44C 7/003; D242,670 S 12/1976 Northup
A44C 7/004; A44C 7/005; A44C 7/006; D244,126 S 4/1977 Ladjimi
A44C 7/007; A44C 7/008; A44C 7/009; D244,920 S 7/1977 Kelman
A44C 25/00; A44C 25/001; A44C D245,650 S 9/1977 Mueller et al.
25/002; A44C 25/007; A44C 1/00; A44C D246,357 S 11/1977 Durante
5/00; A44C 5/0084; A44C 15/005; A44C D247,614 S 3/1978 Kelman
17/02; A44C 17/0208; A44C 17/0216; D248,380 S 7/1978 Burchett
A44C 17/0225; A44C 17/0233; A44C D248,458 S 7/1978 Gatof et al.
17/0241; A44C 17/025; A44C 17/0258; D248,801 S 8/1978 Tafoya
A44C 17/0266; A44C 17/0275; A44C D249,129 S 8/1978 Fishman
17/0283; A44C 17/0291 D249,130 S 8/1978 Fishman
D249,252 S 9/1978 Gatof
D249,337 S 9/1978 DiOrio
D250,456 S 12/1978 Fishman
D250,457 S 12/1978 Fishman
D250,516 S 12/1978 Fishman
D250,517 S 12/1978 Fishman
D251,715 S 5/1979 Fishman
D255,670 S 7/1980 Ambler
D255,885 S 7/1980 Andrews
D256,003 S 7/1980 Barr
- See application file for complete search history.
- (56) **References Cited**
- U.S. PATENT DOCUMENTS
- 20,480 A 6/1858 Carpenter
130,771 A 8/1872 Tryner



US D960,759 S

Page 2

D257,023 S	9/1980	Barr	D308,179 S	5/1990	Perlmutter et al.
D257,024 S	9/1980	Barr	D308,180 S	5/1990	Bulgari
D257,026 S	9/1980	Barr	D308,348 S	6/1990	Leopoldi
D259,110 S	5/1981	Russell	D308,349 S	6/1990	Bulgari
D260,622 S	9/1981	Barr	D308,650 S	6/1990	Bulgari
D260,744 S	9/1981	Barr	D308,651 S	6/1990	Bulgari
D261,245 S	10/1981	Epstein	D308,652 S	6/1990	Bulgari
D261,246 S	10/1981	Epstein	D308,838 S	6/1990	Bulgari
D261,247 S	10/1981	Epstein	D308,949 S	7/1990	Bulgari
D261,372 S	10/1981	Fried	D308,950 S	7/1990	Greenhouse
D262,272 S	12/1981	Block	D309,879 S	8/1990	Bulgari
D264,060 S	4/1982	Epstein	D310,926 S	10/1990	Bass et al.
D265,641 S	8/1982	Bongiorno	D310,979 S	10/1990	Perry
D265,811 S	8/1982	Barr	D311,502 S	10/1990	Bulgari
D265,894 S	8/1982	Barr	D313,202 S	12/1990	Bulgari
D265,895 S	8/1982	Barr	D313,370 S	1/1991	Steiner
D267,241 S	12/1982	Bulgari	D315,211 S	3/1991	Reil
D268,016 S	2/1983	Block	D315,248 S	3/1991	Marshall
D271,952 S	12/1983	Altman	D315,654 S	3/1991	Hummel
D272,327 S	1/1984	Bulgari	D317,095 S	5/1991	Albers et al.
D272,994 S	3/1984	Serapiglia	D317,422 S	6/1991	Hardy
D273,371 S	4/1984	Bulgari	D318,197 S	7/1991	Butler
D273,472 S	4/1984	Goldstein	D319,801 S	9/1991	Bulgari
D274,418 S	6/1984	Bruce	D320,573 S	10/1991	Bulgari
D274,709 S	7/1984	Bulgari	D320,798 S	10/1991	Holt
D278,987 S	5/1985	Zauderer	D320,799 S	10/1991	Holt
D279,082 S	6/1985	Bulgari	D320,951 S	10/1991	Bulgari
D279,874 S	7/1985	Moon	D321,149 S	10/1991	Royer
D279,875 S	7/1985	Moon	D321,150 S	10/1991	Bulgari
D279,876 S	7/1985	Moon	D322,890 S	1/1992	Drews
D279,877 S	7/1985	Moon	D324,350 S	3/1992	Owens, Jr.
D279,878 S	7/1985	Moon	D324,871 S	3/1992	Cordet et al.
D279,879 S	7/1985	Moon	D325,542 S	4/1992	Rubin et al.
D279,880 S	7/1985	Moon	D325,543 S	4/1992	Gueit
D279,881 S	7/1985	Moon	D326,066 S	5/1992	Sprague
D279,882 S	7/1985	Moon	D326,429 S	5/1992	Azielant
D279,883 S	7/1985	Moon	D326,430 S	5/1992	Ortega
D279,884 S	7/1985	Moon	D326,595 S	6/1992	Badgerow et al.
D279,885 S	7/1985	Moon	D326,828 S	6/1992	Bulgari
4,538,429 A	9/1985	Bradford	D327,030 S	6/1992	Young
D281,149 S	10/1985	Krogh	D327,850 S	7/1992	Reil
D281,767 S	12/1985	Mason	D327,982 S	7/1992	Williams
D282,647 S	2/1986	Bulgari	D329,341 S	9/1992	Rhodes
D283,205 S	4/1986	Stephenson	D329,565 S	9/1992	Kane et al.
D284,952 S	8/1986	Ricks	D330,872 S	11/1992	Ball
D286,758 S	11/1986	Bulgari	5,161,391 A	11/1992	Lorberfeld
D287,230 S	12/1986	Bulgari	D331,891 S	12/1992	Foley
D287,231 S	12/1986	Copeland	D332,025 S	12/1992	Caldwell et al.
D287,577 S	1/1987	Lorberfeld	D333,279 S	2/1993	Fryklund
D290,446 S	6/1987	Bulgari	D334,003 S	3/1993	Vogelsang
4,688,400 A	8/1987	Chioffe	D334,004 S	3/1993	Mandelbaum
D292,501 S	10/1987	Jones	D334,010 S	3/1993	Mandelbaum
D292,560 S	11/1987	Di Maria et al.	D334,153 S	3/1993	Mandelbaum
D292,685 S	11/1987	Bulgari	D334,353 S	3/1993	Lorberfeld
D292,686 S	11/1987	Bulgari	D334,855 S	4/1993	Harrington et al.
D292,687 S	11/1987	Pesonen	D335,959 S	6/1993	Blake
D292,780 S	11/1987	Galask	D335,995 S	6/1993	Soles
D293,899 S	1/1988	Bulgari	D336,574 S	6/1993	Rhodes
D294,473 S	3/1988	Bulgari	D336,621 S	6/1993	Vogelsang
D294,684 S	3/1988	Saraga	D337,741 S	7/1993	Garfolo
D295,151 S	4/1988	Saraga	D337,910 S	8/1993	Paluba
D295,267 S	4/1988	Saraga	D337,963 S	8/1993	Gladorisi
D298,611 S	11/1988	Saraga	D338,117 S	8/1993	Caldwell et al.
D301,120 S	5/1989	Alviti	D339,310 S	9/1993	Azielant
D301,314 S	5/1989	Shapiro	D342,691 S	12/1993	Milgrom
D301,561 S	6/1989	Westmoland	D342,894 S	1/1994	DiDomenico
D301,562 S	6/1989	Gaskill	D343,535 S	1/1994	Scott
D302,252 S	7/1989	Sykes	D343,749 S	2/1994	Thompson
D302,400 S	7/1989	Bulgari	D344,910 S	3/1994	Nelson
D302,401 S	7/1989	Weingast	D345,051 S	3/1994	Wills
D303,230 S	9/1989	Westmoland	D346,343 S	4/1994	Haugh
D303,999 S	10/1989	Hansson	D347,801 S	6/1994	Church
D304,433 S	11/1989	McConnell, Jr.	D348,023 S	6/1994	Horner et al.
D304,532 S	11/1989	Campbell	D348,854 S	7/1994	Salsgiver
D304,533 S	11/1989	Campbell	D348,997 S	7/1994	Menner
D305,311 S	1/1990	Roberts	D350,027 S	8/1994	Downes et al.
D305,996 S	2/1990	Bulgari	D352,190 S	11/1994	Tucker
D307,989 S	5/1990	Stewart	5,363,675 A	11/1994	Carter
D308,027 S	5/1990	Bulgari	D353,120 S	12/1994	Pandel

US D960,759 S

D353,501 S	12/1994	Kral	D407,344 S	3/1999	Dubnicka
D354,016 S	1/1995	Schubert	D408,315 S	4/1999	Lavalais
D354,927 S	1/1995	Andrau	D408,317 S	4/1999	Karmeli
D356,751 S	3/1995	Gross et al.	D410,589 S	6/1999	Lagergren
D358,067 S	5/1995	Graves	D413,830 S	9/1999	Moten
D358,210 S	5/1995	Reil	D415,446 S	10/1999	Kattan
D359,254 S	6/1995	Gross et al.	D417,636 S	12/1999	Ambar
D359,705 S	6/1995	Ball	D418,079 S	12/1999	Porcell
D359,706 S	6/1995	DeAngelis	D419,908 S	2/2000	Leonard
D361,451 S	8/1995	Reiland	D420,304 S	2/2000	Porcell
D362,821 S	10/1995	Marchessault	D420,934 S	2/2000	Montaquila
D363,218 S	10/1995	Mann	D423,979 S	5/2000	Montaquila
D363,602 S	10/1995	Asher	D424,468 S	5/2000	Bergagnini
D363,683 S	10/1995	Spurgeon et al.	D424,695 S	5/2000	Rell
D365,779 S	1/1996	Archambeault	D427,540 S	7/2000	Calvani
D366,729 S	1/1996	Reil	D429,658 S	8/2000	Biagi
D367,384 S	2/1996	DiFranco et al.	D430,815 S	9/2000	Montaquila
D368,671 S	4/1996	Ross	D434,877 S	12/2000	Harral
D370,372 S	6/1996	Kraft	D435,476 S	12/2000	Gruosi
D370,866 S	6/1996	Lange	D436,727 S	1/2001	Hsu
D371,754 S	7/1996	Dunham	D439,190 S	3/2001	Itzkowitz
D371,982 S	7/1996	Price	D439,193 S	3/2001	Gruosi
D372,312 S	7/1996	Lange	D441,313 S	5/2001	Turner
D372,380 S	8/1996	Montalbo et al.	D450,615 S	11/2001	Ambar
D373,742 S	9/1996	Janice	D454,810 S	3/2002	Knee
D374,637 S	10/1996	Esser	D455,974 S	4/2002	Torres
D374,837 S	10/1996	Austin	D458,182 S	6/2002	Gruosi
D375,703 S	11/1996	Lowe et al.	D461,409 S	8/2002	Kardush
D376,335 S	12/1996	Shechter	D468,494 S	1/2003	Holloway
D376,476 S	12/1996	Tepen et al.	D472,497 S	4/2003	Bonnet
D376,768 S	12/1996	Ross	D474,353 S	5/2003	Gist Skinner
5,588,309 A	12/1996	Chioffe	D479,145 S	9/2003	Newman
D377,461 S	1/1997	Kloppenburg, Jr. et al.	D481,326 S	10/2003	Bonifacio
D378,360 S	3/1997	Montaquila	D481,646 S	11/2003	Bonifacio
D378,808 S	4/1997	Shechter	D484,822 S	1/2004	Crova
D379,305 S	5/1997	VanFleet	D485,203 S	1/2004	Pachachi
D379,601 S	6/1997	Itzkowitz	D485,204 S	1/2004	Sandberg
D380,978 S	7/1997	Matye	D486,091 S	2/2004	Pachachi
D381,925 S	8/1997	Bergannini	D486,416 S	2/2004	Pachachi
5,660,061 A	8/1997	Magida	D487,408 S	3/2004	Coin
D383,699 S	9/1997	Bulgari	D489,639 S	5/2004	Castle
D383,700 S	9/1997	Bulgari	D506,406 S	6/2005	Sandberg
D383,706 S	9/1997	Archambault	D507,985 S	8/2005	Sandberg
D383,998 S	9/1997	Condron	D511,310 S	11/2005	Gruosi
D385,814 S	11/1997	Kilpatrick	D513,392 S	1/2006	Arbore
D386,108 S	11/1997	Montaquila	D515,452 S	2/2006	Arbore
D386,439 S	11/1997	Itzkowitz	D516,453 S	3/2006	Kayamori et al.
D386,711 S	11/1997	Matye	D520,897 S	5/2006	Sandberg
D388,011 S	12/1997	Leonard	D531,078 S	10/2006	Chan
D388,012 S	12/1997	Matye	D533,803 S	12/2006	Corso
D388,013 S	12/1997	Rich	D535,580 S	1/2007	Arbore
D388,357 S	12/1997	Montaquila	D537,377 S	2/2007	Becker
D388,734 S	1/1998	Montaquila	D537,750 S	3/2007	Allin
D388,735 S	1/1998	Webber	D537,751 S	3/2007	Becker
D389,085 S	1/1998	Montaquila	D538,195 S	3/2007	Williams
D389,424 S	1/1998	Montaquila	D538,701 S	3/2007	Williams
D389,775 S	1/1998	Bulgari	D539,690 S	4/2007	Allin
D389,776 S	1/1998	Montaquila	D540,212 S	4/2007	Becker
D390,151 S	2/1998	Blum et al.	D541,694 S	5/2007	Ping
D390,802 S	2/1998	Bulgari	D542,169 S *	5/2007	Johari D11/34
D391,516 S	3/1998	Kothari	D542,170 S	5/2007	Bruno et al.
D391,756 S	3/1998	Horne	D542,696 S	5/2007	Cilluffo
D391,887 S	3/1998	Barr	7,217,014 B2	5/2007	Nielson
D391,888 S	3/1998	Fox	D544,389 S	6/2007	Ooten
D392,041 S	3/1998	Reil	D545,716 S	7/2007	Bulgari
D392,042 S	3/1998	Reil	D549,125 S	8/2007	Malone
D392,206 S	3/1998	Kothari	D549,607 S	8/2007	Mouclier
D393,604 S	4/1998	Webber	D550,583 S	9/2007	Karachi-Langane
D393,812 S	4/1998	Silveri	D554,020 S	10/2007	Bruno et al.
D394,021 S	5/1998	Matye	D555,030 S	11/2007	Hardy
D394,769 S	6/1998	Flint	D556,620 S	12/2007	Chan
D394,821 S	6/1998	Montaquila	D562,718 S	2/2008	Wong
D394,823 S	6/1998	Vos	D567,132 S	4/2008	Bulgari
D398,875 S	9/1998	Kothari	D567,133 S	4/2008	Crawford
D398,876 S	9/1998	Kothari	D567,134 S	4/2008	Bulgari
D401,182 S	11/1998	Bulgari	D567,702 S	4/2008	Walters
D401,486 S	11/1998	Becker	D574,745 S	8/2008	Nolan
D401,884 S	12/1998	Gruosi	D574,746 S	8/2008	Nolan
D406,544 S	3/1999	Leonard	D588,490 S	3/2009	Momjian

US D960,759 S

D591,192 S	4/2009	Nolan	D684,085 S	6/2013	Papadimitriou
D592,538 S	5/2009	Momjian	D689,392 S	9/2013	Parvex
D599,694 S	9/2009	Nolan	D692,261 S	10/2013	Sharp
D599,695 S	9/2009	Nolan	D692,342 S	10/2013	Bennett
D600,586 S	9/2009	Nolan	D693,260 S	11/2013	Papadimitriou
D601,056 S	9/2009	Atallah	D693,721 S	11/2013	Papadimitriou
D601,917 S	10/2009	Nolan et al.	D694,146 S	11/2013	Beeson
D603,289 S	11/2009	Lebail	D703,084 S	4/2014	Parvex
D605,968 S	12/2009	Colombani	D707,151 S	6/2014	Kimbrough et al.
D605,970 S	12/2009	Colombani	D707,152 S	6/2014	Shields
D606,443 S	12/2009	Traglio	D708,540 S	7/2014	Norendzayan
D606,896 S	12/2009	Traglio	D708,541 S	7/2014	Norendzayan
D607,363 S	1/2010	Traglio	D709,792 S	7/2014	Singer et al.
D607,364 S	1/2010	Marks	8,763,357 B1	7/2014	Arnone
D608,239 S	1/2010	Mccarty-O'Brien	D714,673 S	10/2014	Bradley
D610,033 S	2/2010	Colombani	D716,685 S	11/2014	Oh
D610,934 S	3/2010	Papadimitriou	D718,649 S	12/2014	Harel-Klein et al.
D610,935 S	3/2010	Papadimitriou	D718,650 S	12/2014	Weems
D614,073 S	4/2010	Cabarbaye	D720,647 S	1/2015	Kwon
D619,030 S	7/2010	Papadimitriou	D722,907 S	2/2015	Miceli
D619,488 S	7/2010	Gruosi	D726,577 S	4/2015	Weems
D620,833 S	8/2010	Papadimitriou	D727,773 S	4/2015	Kwon
D621,279 S	8/2010	Janssen	D727,774 S	4/2015	Kwon
D621,281 S	8/2010	Janssen	D727,775 S	4/2015	Yatsugi-Kang
D621,721 S	8/2010	Walker-Spry	D727,776 S	4/2015	Weems
D623,081 S	9/2010	Papadimitriou	D727,778 S	4/2015	Levinson et al.
D624,843 S	10/2010	Colombani	D728,410 S	5/2015	Yatsugi-Kang
D626,881 S	11/2010	Meneau	D729,107 S	5/2015	Riviere
D627,252 S	11/2010	Warren	D729,108 S	5/2015	Kwon
D627,253 S	11/2010	Meneau	D731,347 S	6/2015	Zeuner
D628,113 S	11/2010	Papadimitriou	D733,574 S	7/2015	Walker-Spry
D628,114 S	11/2010	Papadimitriou	D737,717 S	9/2015	Weems
D629,325 S	12/2010	Papadimitriou	D738,774 S	9/2015	Vartanian
D630,965 S	1/2011	Papadimitriou	D738,775 S	9/2015	Vartanian
D630,967 S	1/2011	Lebail	D740,153 S	10/2015	Vartanian
D631,383 S	1/2011	Papadimitriou	D740,154 S	10/2015	Vartanian
D631,384 S	1/2011	Papadimitriou	D742,779 S	11/2015	Traglio
D631,385 S	1/2011	Lebail	D743,293 S	11/2015	Weems
D632,605 S	2/2011	Marchand	D746,719 S	1/2016	Weems
D634,214 S	3/2011	Janssen	D747,665 S	1/2016	Hooper
D635,608 S	4/2011	Gray	D747,666 S	1/2016	Yatsugi-Kang
D636,696 S	4/2011	Lebail	D748,003 S	1/2016	Vartanian
D637,103 S	5/2011	Lebail	D748,004 S	1/2016	Vartanian
D637,104 S	5/2011	Papadimitriou	D748,005 S	1/2016	Vartanian
D639,692 S	6/2011	Papadimitriou	D748,006 S	1/2016	Vartanian
D639,694 S	6/2011	Papadimitriou	D748,522 S	2/2016	Vartanian
D640,585 S	6/2011	Nolan	D748,524 S	2/2016	Vartanian
D642,086 S	7/2011	Modi	D748,525 S	2/2016	Tatsugi-Kang
7,980,095 B1	7/2011	Masterson	D749,456 S	2/2016	Gruosi
D647,421 S	10/2011	Nolan	D749,978 S	2/2016	Holubar
D648,242 S	11/2011	Hara	D749,981 S	2/2016	Vartanian
D653,151 S	1/2012	Bennett	D751,451 S *	3/2016	Kwon D11/42
D655,193 S	3/2012	Janssen	D752,472 S	3/2016	Riviere
D658,090 S	4/2012	Papadimitriou	D753,012 S	4/2016	Yatsugi-Kang
D658,529 S	5/2012	Papadimitriou	D753,015 S	4/2016	Crafton et al.
D658,530 S	5/2012	Papadimitriou	D753,533 S	4/2016	Roth
D659,583 S	5/2012	Papadimitriou	D758,911 S *	6/2016	Kwon D11/43
D660,743 S	5/2012	Crafton	D760,110 S	6/2016	Miller
D660,744 S	5/2012	Papadimitriou	D760,618 S *	7/2016	Yatsugi-Kang D11/43
D660,745 S	5/2012	Papadimitriou	D761,658 S	7/2016	Walker-Spry
D661,219 S	6/2012	Papadimitriou	D763,720 S	8/2016	Yatsugi-Kang
D662,005 S	6/2012	Bennett	D764,342 S	8/2016	Bulgari
D664,061 S	7/2012	Papadimitriou	D764,343 S	8/2016	Bulgari
D664,062 S	7/2012	Papadimitriou	D772,099 S	11/2016	Roth
D665,297 S	8/2012	Parris	D778,200 S	2/2017	Iacomucci
D665,298 S	8/2012	Papadimitriou	D780,034 S	2/2017	Kwon
D665,693 S	8/2012	Bennett	D780,036 S	2/2017	Silvestri
D668,986 S	10/2012	Friedman	D780,037 S	2/2017	Magallanes-Leal
D669,386 S	10/2012	Papadimitriou	D780,038 S *	2/2017	Riviere D11/43
D669,387 S	10/2012	Kwon	D780,039 S	2/2017	Abdourahim
D670,191 S	11/2012	Bennett	D780,040 S	2/2017	Galli
D671,439 S	11/2012	Bennett	D781,739 S	3/2017	Nickels
D672,681 S	12/2012	Bennett	D782,934 S	4/2017	Riviere
D673,070 S	12/2012	Papadimitriou	D783,442 S	4/2017	Yatsugi-Kang
D674,719 S	1/2013	Bennett	D784,846 S	4/2017	Abdourahim
D674,720 S	1/2013	Bennett	D785,491 S *	5/2017	Yatsugi-Kang D11/43
D676,349 S	2/2013	Papadimitriou	D789,826 S	6/2017	Riviere
D678,101 S	3/2013	Parvex	D792,266 S	7/2017	Hardy
D680,024 S	4/2013	Le Bail	D792,803 S	7/2017	Abdourahim

D796,372 S	9/2017	Gruosi	
D797,599 S	9/2017	Yatsugi-Kang	
D800,012 S	10/2017	Oliner-Katz	
D807,774 S	1/2018	Hardy	
D808,851 S	1/2018	Kwon	
D809,419 S	2/2018	Hardy	
D809,960 S	2/2018	Marchand	
D809,961 S	2/2018	Magallanes-Leal	
D809,962 S	2/2018	Le Bail	
D810,612 S	2/2018	Corey et al.	
D811,928 S	3/2018	Stern	
D812,510 S	3/2018	Levy	
D813,080 S	3/2018	Sallard	
D813,708 S	3/2018	Lane	
D813,709 S	3/2018	Dholakiya	
D814,291 S	4/2018	Taylor	
D815,556 S	4/2018	Stern	
D816,538 S	5/2018	Nickels	
D818,867 S	5/2018	Heller	
D820,145 S *	6/2018	Galli	D11/40
D822,531 S	7/2018	Stern	
D822,532 S	7/2018	Stern	
D824,276 S	7/2018	Blootacker	
D824,277 S	7/2018	Sallard	
D826,080 S	8/2018	Gentile et al.	
D834,988 S	12/2018	Silvestri	
D836,018 S	12/2018	An	
D842,753 S	3/2019	Morin	
D846,423 S	4/2019	Buccellati	
D847,683 S	5/2019	Buccellati	
D851,532 S	6/2019	Yamada	
D852,079 S	6/2019	Sivriere	
D878,236 S *	3/2020	Tashjian	D11/42
D878,958 S	3/2020	Tashjian	
D891,973 S *	8/2020	Tashjian	D11/45
D902,772 S *	11/2020	Tashjian	D11/45
D902,773 S *	11/2020	Tashjian	D11/45
D929,252 S *	8/2021	Tashjian	D11/92
2008/0022720 A1	1/2008	Cicccone	
2010/0212356 A1	8/2010	Namiki	
2011/0083471 A1	4/2011	Chough	
2013/0186134 A1	7/2013	Goldstein	
2014/0150496 A1	6/2014	Briggs-Jenkins	
2017/0079388 A1	3/2017	Kita	
2018/0343990 A1	12/2018	Repossi	

OTHER PUBLICATIONS

10 pairs of tiny stud and hoop earrings that look really expensive, Get the Gloss, <https://www.getthegloss.com/article/the-best-tiny-stud-and-hoop-earrings-to-buy-on-a-budget> downloaded from Internet Nov. 2020 (1 page).
 Amethyst Triple Marquise Stud Earrings, Curated Los Angeles, <https://www.curated-losangeles.com/products/amethyst-triple-marquise-stud-earrings> downloaded from Internet Nov. 2020 (1 page).
 Blue Buddha Boutique, Cre8time Movement: Jewelry Project in 8 steps of Less—Coiled Earrings, <http://www.bluebuddhaboutique.com/blog/2013/04/cre8time-movement-jewelry-project-in-8-steps-or-less-coiled-earrings/>, Apr. 6, 2013 (6 pages).
 BVLA Rose Gold Mini Kandy, Mercari, https://www.mercari.com/us/item/m42382037488/?ref~brand_detail downloaded from Internet Nov. 2020 (1 page).
 Casasconil.info Chandelier, Glass Crystal Chandelier Drops, Jul. 28, 2018 (54 pages).
 Crafty Blog Stalker, Howto Make Crystal Drop Earrings, <https://thecraftyblogstalker.com/diy-rhinestone-drop-earrings/>, last updated Jun. 17, 2019 (12 pages).
 Crystal Dangle Hoop Earrings 925 Sterling Silver Dianty Dangling Charms Cubic Zirconia Small Huggie Round Hoops 10mm Delicate Jewelry for Women Girls Birthday Gifts: Clothing, Amazon.com, <https://www.amazon.com/Earrings-Sterling-Dangling-Zirconia-Delicate/dp/B0895FQB6X> downloaded from Internet Nov. 2020 (1 page).
 CZ Marquise Dangle screw flat back cartilage stud, helix earring, Etsy, https://www.etsy.com/listing/777314953/cz-marquise-s-dangle-screw-flat-back?ga_order=most_relevant&ga_search_type=all&ga_

[view_type=gallery&ga_search_query=triple+marquise+stud&ref=sr_gallery-1-8&pr_o=1](#) downloaded from Internet Nov. 2020 (1 page).
 Dangling Gemstone Earring 925 Solid Sterling Silver Rose Gold, Etsy, https://www.etsy.com/listing/851972585/dangling-gemstone-earring-925-solid?ga_order=most_relevant&ga_search_type=all&ga_view_type=gallery&ga_search_query=MARIA+TASH&ref=sr_gallery-1-1&organic_search_click=1&frs=1&col downloaded from Internet Nov. 2020 (1 page).
 Djula, Gold and Diamond Multi tassel hoop piercing, <https://www.diula.fr/en/piercings/567-multi-tassel-hoop-piercing.html> downloaded from Internet Nov. 2020 (1 page).
 Free People, 6.5mm Gold Tassel Eternity Single Earring <https://www.freepeople.com/shop/65mm-gold-tassel-eternityingle-earring/> Retrieved by USPTO Examiner Aug. 31, 2019.
 Fringe Hoop Earrings for Sale at Auction on Tue, Feb. 22, 2011—07:00—Pair of White Gold, Blue Topaz, Pink Tourmaline and Diamond Earrings, Fine Jewelry and Contents of Abandoned Safe Deposit Boxes from Bank of America, Doyle Auction House, <https://doyle.com/auctions/11j101-fine-jewelry-and-contents-of-abandoned-safe-deposit-boxes-from-bank-of-america-148> downloaded from Internet Nov. 2020 (1 page).
 Luxury Exaggeration Big Round Pearl Hoop Earrings For Women Boho Geometric Large Statement Hanging Earrings 2019 Fashion Jewelry Hoop Earrings—AliExpress, https://www.aliexpress.com/item/33011429560.html?spm=a2g0o.productlist.0.0.8bf2647ds4vMa6&algo_pvid=9ea83007-0e57-451b-9bca-bcdedcd698d7&algo_expid=9ea83007-0e57-451b-9bca-bcdedcd698d7-30&btsid=0bb0622f16033748731547472ee84d&ws_ab_test=searchweb0_0.searchweb201602_.searchweb201603 downloaded from Internet Nov. 2020 (1 page).
 Maria Tash 14g 8mm Single Chain Septum Spinner, <https://www.mariatash.com/14g-8mm-single-chain-septum-spinner.html#>; downloaded from Internet Aug. 31, 2020 (1 page).
 Maria Tash 16mm Diamond In-Set Lotus Coronet Hoops Pair, <https://www.mariatash.com/16mm-diamond-inet-lotcoronet-hoops-pair.html?metal=White%20Gold>. Retrieved by USPTO Examiner Sep. 9, 2019.
 Maria Tash 3mm Diamond Engraved Lotus Threaded Stud, <https://www.mariatash.com/jewelry/helix-jewelry/3mm-diamond-enaraved-lotus-threaded-stud.html#> downloaded from Internet Nov. 2020 (1 page).
 Maria Tash 6.5mm Diamond Eternity Ring and Two Cuffs, <https://www.mariatash.com/jewelry/earlobe/diamond-1-4-tripie-eternity-ringnd-two-cuffs-earlobe.html?metal=White%20Gold>. Retrieved by USPTO Examiner Sep. 9, 2019.
 Maria Tash 6.5mm Diamond Tassel Eternity Ring, <https://www.mariatash.com/jewelry/earlobe/1-4-diamond-tassel-eternity-ring.html?metal=White%20Gold>. Retrieved by USPTO Examiner Aug. 31, 2019.
 Maria Tash Black Rainbow Sapphire 14k Yellow Gold, eBay, <https://www.ebay.com/itm/14k-Yellow-Gold-Maria-Black-Rainbow-Sapphire-Nwt-358-Vry-Maria-Tash-TLL/293780593993?hash=item4466b01049:g:JP4AAOSwZRNfLe~Z> downloaded from Internet Nov. 2020 (1 page).
 Maria Tash Brand, Amato Fine Jewelry, <https://www.amatopiercing.com/brand/maria-tash/> downloaded from Internet Nov. 2020 (1 page).
 Maria Tash Brand, ShopoTam, Ebay, <http://shopotam.ru/brand/mafia-tash/> downloaded from Internet Nov. 2020 (1 page).
 Maria Tash Coronet Earrings, Cheaponline, <https://ar.cheaponline2020.net/category?name=coronet%20earrings> downloaded from Internet Nov. 2020 (1 page).
 Maria Tash Diamond and Chain Orbit Joining Earring White Gold 2mm, PicClick UK, <https://picclick.co.uk/Maria-Tash-White-Gold-2mm-Diamond-and-Chain-174458974872.html> downloaded from Internet Nov. 2020 (1 page).
 Maria Tash Diamond Butterfly, RisingBastards, <https://risingbastards.com/2020/10/20/diamond-butterfly-maria-tash/> downloaded from Internet Nov. 2020 (1 page).
 Maria Tash Diamond Delia and Marquise Dangle Chain Orbital, <https://www.mariatash.com/jewelry/earlobe/diamond-delia-marquisend-rounds-chainnd-dangles-orbital.html?metal=Rose%20Gold>. Retrieved by USPTO Examiner Aug. 17, 2019.

- Maria Tash Diamond Eternity Ring and Cuff, <https://modesens.com/product/maria-tash-diamond-eternity-rinnd-cuff-18kt-rose-goldingle-earring-pink-5724852/> Retrieved by USPTO Examiner Sep. 9, 2019.
- Maria Tash Diamond Princess Ring 2mm White Gold, https://rootip.rosendalehistorical.org/index.php?main_page=product_info&products_id=11835 downloaded from Internet Nov. 2020 (1 page).
- Maria Tash Diamond Spike Eternity Earring 18K Yellow Gold 8mm Diameter, PicClick, <https://pickclick.com/Maria-Tash-Diamond-Spike-Eternity-Earring-18K-Yellow-333743759231.html> downloaded from Internet Nov. 2020 (1 page).
- Maria Tash Double Row Gem Clicker Ring 14ct White Gold, Isha Body, <https://ishabodyjewellery.co.uk/products/14ct-white-gold-elegant-clicker-ring?variant29157947572317> downloaded from Internet Nov. 2020 (1 page).
- Maria Tash Earrings, <https://mariatash.com/jewelry/earlobe.html> downloaded from Internet Jun. 30, 2019 (35 pages).
- Maria Tash EUC Silver Tone Mirrored Compact, Poshmark, <https://poshmark.com/listing/EUC-Maria-Tash-Silver-Tone-Mirrored-Compact-5f4fef19e1316439c30fdd81> downloaded from Internet Nov. 2020 (1 page).
- Maria Tash Gold Clicker Eternity Earring Yellow Gold and Pearl Hoop, The Luxury Closet, <https://theluxurycloset.com/us-en/women/maria-tash-gold-clicker-eternity-yellow-gold-and-pearl-single-hoop-earring-p286862> downloaded from Internet Nov. 2020 (1 page).
- Maria Tash Gold Jewelry, Bodyartforms, <https://bodyartforms.com/products.asp?brand=venus+by+maria+tash> downloaded from Internet Nov. 2020 (1 page).
- Maria Tash Inspired Gold Earring With Chain Ring, <https://www.sekaimon.com/s/maria%20tash/-/all> downloaded from Internet Nov. 2020 (1 page).
- Maria Tash Invisible Diamond Lotus Close Garland Ear Climber, <https://www.mariatash.com/jewelry/invisible-diamond-lotus-garland-ear-climber.html>, Retrieved by Examiner Jul. 5, 2020 (2 pages).
- Maria Tash Jewelry, Stylight, <https://www.stylight.com/Maria-Tash/Jewelry/> downloaded from Internet Nov. 2020 (1 page).
- Maria Tash Navel Ring Belly Button Ring, Poshmark, <https://poshmark.com/listing/Maria-Tash-navel-ring-belly-button-ring-5c7ac13c8ad2f9c803c2d159> downloaded from Internet Nov. 2020 (1 Page).
- Maria Tash Products, Pirate Piercing, <https://shop.piratepiercing.be/> downloaded from Internet Nov. 2020 (1 page).
- Maria Tash Septum Chains, Poshmark, <https://poshmark.com/listing/Maria-Tash-Septum-Chains-599706fef739bc9b4401c73c> downloaded from Internet Nov. 2020 (1 page).
- Maria Tash Verkooppunt Vederland, Piercing Boutique, <https://www.piercingboutique.nl/pages/maria-tash-verkooppunt> downloaded from Internet Nov. 2020 (1 page).
- Marquise Baguette Dangling Chains Wrap Stud Earrings, Etsy, https://www.etsy.com/listing/853121609/cartilage-stud-earrings-cartilage-chain?ga_order=most_relevant&ga_search_type=all&ga_view_type=gallery&ga_search_query=marquise%2Bbearings&ga_ref=sc_gallery-2-19&ga_bplkey=76c432b01b045f75add569a8af782f33fe250c00%3A853121609&ga_pro=1&ga_bcol=1 downloaded from Internet Nov. 2020 (1 page).
- Marquise Chain Stud Earrings Retro 18k Gold Plated Sterling Silver CZ—Alibaba.com, https://www.alibaba.com/product-detail/18K-gold-plated-sterling-silver-CZ_1600101995122.html?spm=a2700.galleryofferlist.normal_offer.d_image.798a14a2tpXmMR downloaded from Internet Nov. 2020 (1 page).
- Marquise CZ Flower Shaped Stud Earrings With Dangling Chain—Alibaba.com, https://www.alibaba.com/product-detail/Marquise-CZ-Flower-Shaped-Stud-Earrings_1700001431499.html?spm=a2700.galleryofferlist.normal_offer.d_image.798a14a2tpXmMR downloaded from Internet Nov. 2020 (1 page).
- Marquise CZ Flower Stud Earrings, S925 Sterling Silver Post 14K Gold Plated Minimalist Dainty Flower Shaped Stud Earrings With Dangling Charm Marquise Studs Earrings Cartilage Earring: Jewelry, Amazon.com, https://www.amazon.com/Marquise-Earrings-Sterling-Minimalist-Cartilage/dp/B08BCQ8PMG/ref=sr_1_18?dchild=1&keywords=marquise%2Bstud%2Bbearings&qid=1603376238&sr=8-18&th=1 downloaded from Internet Nov. 2020 (1 page).
- Marquise Dangle Stud Gold Earring, Adina's Jewels <https://adinasjewels.com/products/marquise-dangle-stud-earring> downloaded from Internet Nov. 2020 (1 page).
- Marquise Diamond Simple In Style Earrings Jewelry S925 Sterling Silver—Alibaba.com, https://www.alibaba.com/product-detail/S925-sterling-silver-marquise-diamond-simple_1600118221984.html?spm=a2700.galleryofferlist.normal_offer.d_title.798a14a2tpXmMR downloaded from Internet Nov. 2020 (1 page).
- Marquise Shape Diamond Stud Earring, SGL Certified 0.64 Ct Diamond Flower Earring, Body Jewellery, Petal Cartilage Earring, Helix Piercing, 18K Yellow Gold Flat Screw on Back 7mm: Jewelry, Amazon.com, https://www.amazon.com/Marquise-Certified-Jewellery-Cartilage-Piercing/dp/B08JX7S7V2/ref=sr_1_96?dchild=1&keywords=marquise+stud+earrings&qid=1603376238&sr=8-96 downloaded from Internet Nov. 2020 (1 page).
- Marquise turquoise studs, 925 earrings, gold stud earrings, Etsy, https://www.etsy.com/listing/832205081/925-earrings-marquise-turquoise-studs?ga_order=most_relevant&ga_search_type=all&ga_view_type=gallery&ga_search_query=marquise+studs&ref=sr_gallery-2-3&pro=1 downloaded from Internet Nov. 2020 (1 page).
- Minimalist Marquise CZ Flower Shaped Stud Earrings With Dangling Charm, Etsy, https://www.etsy.com/listing/740432826/minimalist-marquise-cz-flower-studs?ga_order=most_relevant&ga_search_type=all&ga_view_type=gallery&ga_search_query=marquise+studs&ref=sc_gallery-2-20&plkey=5824c downloaded from Internet Nov. 2020 (1 page).
- Minimalist Marquise CZ Flower studs Dainty earrings Cz gold, Etsy, https://www.etsy.com/listing/740432826/minimalist-marquise-cz-flower-studs?ga_order=most_relevant&ga_search_type=all&ga_view_type=gallery&ga_search_query=marquise+studs&ref=sc_gallery-2-20&plkey=5824c downloaded from Internet Nov. 2020 (1 page).
- Minimalist Marquise Tiny Cz Cubic Zirconia Stud Earrings Jewelry—Buy 925 Minimalist Marquise Cz Stud Earrings, 925 Silver Small Tiny Earrings Jewelry, Earrings For Women Product, Alibaba.com, https://www.alibaba.com/product-detail/2020-NEW-925-Sterling-Silver-minimalist_1600125651312.html?spm=a2700.galleryofferlist.normal_offer.d_image.798a14a2tpXmMR downloaded from Internet Nov. 2020 (1 page).
- Moet, Mercury Mist Threadless End, Buddha Jewelry Organics, <https://www.buddhajewelryorganics.com> downloaded from Internet Nov. 2020 (1 page).
- Rhinestone Fringe Hoop Earrings 1 pair, Shein USA, <https://us.shein.com/Rhinestone-Fringe-Hoop-Earrings-1pair-p-621973-cat-1757.html> downloaded from Internet Nov. 2020 (1 page).
- Rustic Diamond Marquise Three Leaf Earrings, TWISTonline, <https://www.twistonline.com/collections/dangles/products/rustic-diamond-marquise-three-leaf-earrings> downloaded from Internet Nov. 2020 (1 page).
- Sequito Elegant Costume Jewelry Pave Purple CZ with Light Green Water Drop Tassel Drop Hoop Earrings for Women Boho Round Earring SE-190, Lazada PH, <https://www.lazada.com.ph/products/sequito-elegant-costume-jewelry-pave-purple-cz-diamond-with-light-green-water-drop-tassel-drop-hoop-earrings-for-women-boho-round-earring-se-190-1925580578.html> downloaded from Internet Nov. 2020 (1 page).
- Single Half Pair 18k Gold Genuine Diamond Lotus Flower, Etsy, https://www.etsy.com/listing/836784442/new-single-half-pair-18k-gold-genuine?ga_order=most_relevant&ga_search_type=all&ga_view_type=gallery&ga_search_query=MARIA+TASH&ref=sr_gallery-2-14&organic_search_click=1&pro=1&frs=1 downloaded from Internet Nov. 2020 (1 page).
- Sparkly Marquise Dangle Cubic Zircon Chain Stud Gold Plated Earrings Jewelry 925 Sterling Silver—Alibaba.com, https://www.alibaba.com/product-detail/Gold-Plated-Earrings-Jewelry-925-Sterling_62451516048.html?spm=a2700.galleryofferlist.normal_offer.d_title.798a14a2tpXmMR downloaded from Internet Nov. 2020 (1 page).
- Sparkly Marquise Dangle Stud Earrings, J&CO Jewellery, <https://www.cojewellery.com/collections/nature/products/sparkly-marquise-dangle-stud-earrings> downloaded from Internet Nov. 2020 (1 page).
- Triple Marquise CZ Leaf Helix earring Conch Earring, Etsy, <https://www.etsy.com/listing/750423781/triple-marquise-cz-leaf-helix->

earring?ga_order=most_relevant&ga_search_type=all&ga_view_type=gallery&ga_search_query=triple+marquise+stud&ref=sr_gallery-1-5&col= downloaded from Internet Nov. 2020 (1 page).

Umba Sapphire Baby Teardrop Fringe Hoops(18k), TalismanUnlimited.com, <https://www.talismanunlimited.com/products/umba-sapphire-baby-teardrop-fringe-hoops> downloaded from Internet Nov. 2020 (1 page).

Yeslady Tassel Hoop Earrings, Small CZ Rhinestone Dangle Earrings at Amazon.in, <https://www.amazon.in/YESLADY-Tassel-Earrings-Rhinestone-Dangle/dp/B07QZQ14RF> downloaded from Internet Nov. 2020 (1 page).

* cited by examiner

Primary Examiner — Melanie Pellegrini

(74) *Attorney, Agent, or Firm* — Dentons US LLP

(57)

CLAIM

An ornamental design for an earring, as shown and described.

DESCRIPTION

FIG. 1 is a front perspective view of an earring;
FIG. 2 is a front side view of the earring;
FIG. 3 is a back side view of the earring;
FIG. 4 is a right side view of the earring;
FIG. 5 is a left side view of the earring;
FIG. 6 is a bottom side view of the earring; and,
FIG. 7 is a top side view of the earring.
Broken lines shown in drawings illustrate portions of the earring that form no part of claimed design.

1 Claim, 7 Drawing Sheets

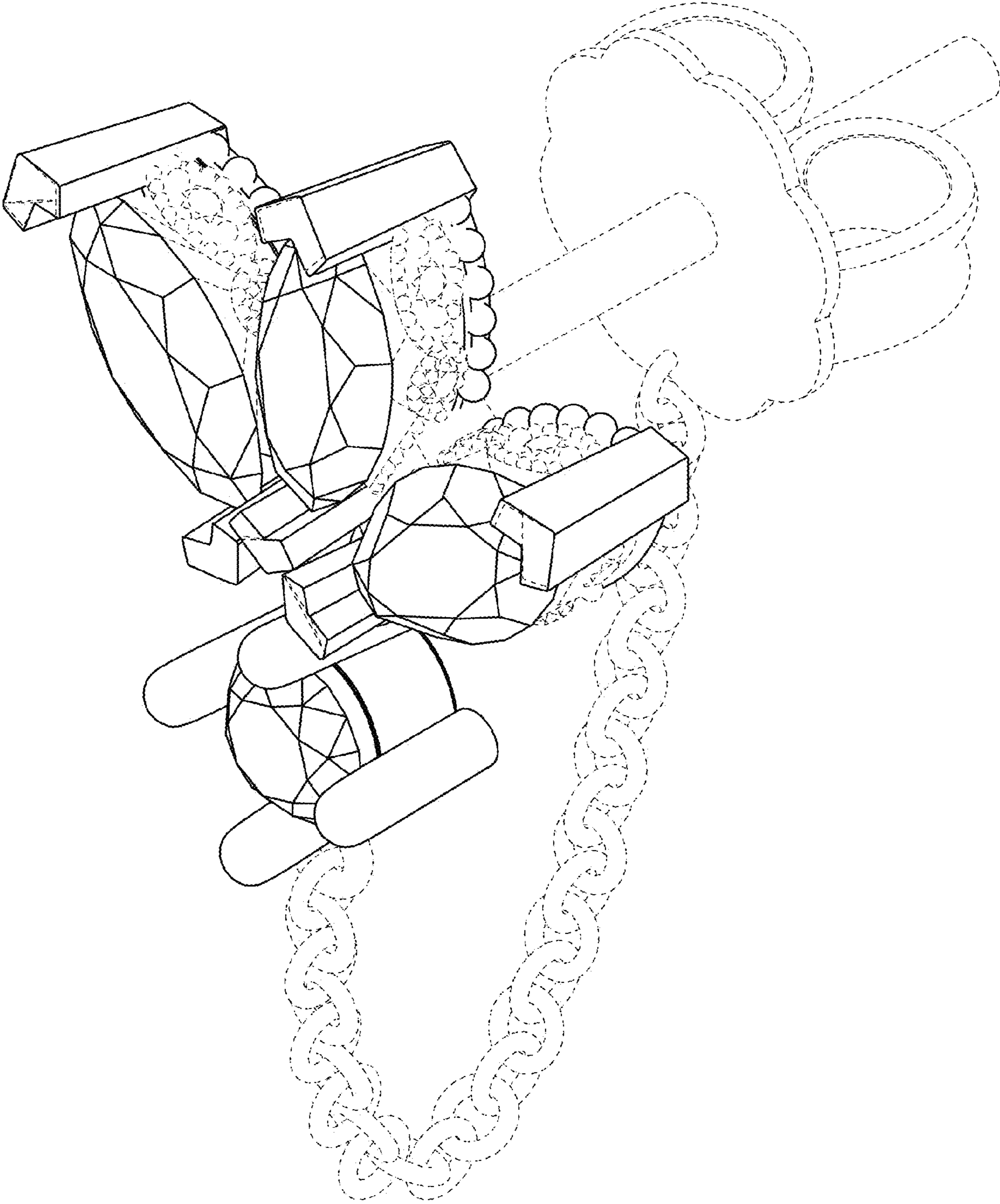


FIG. 1

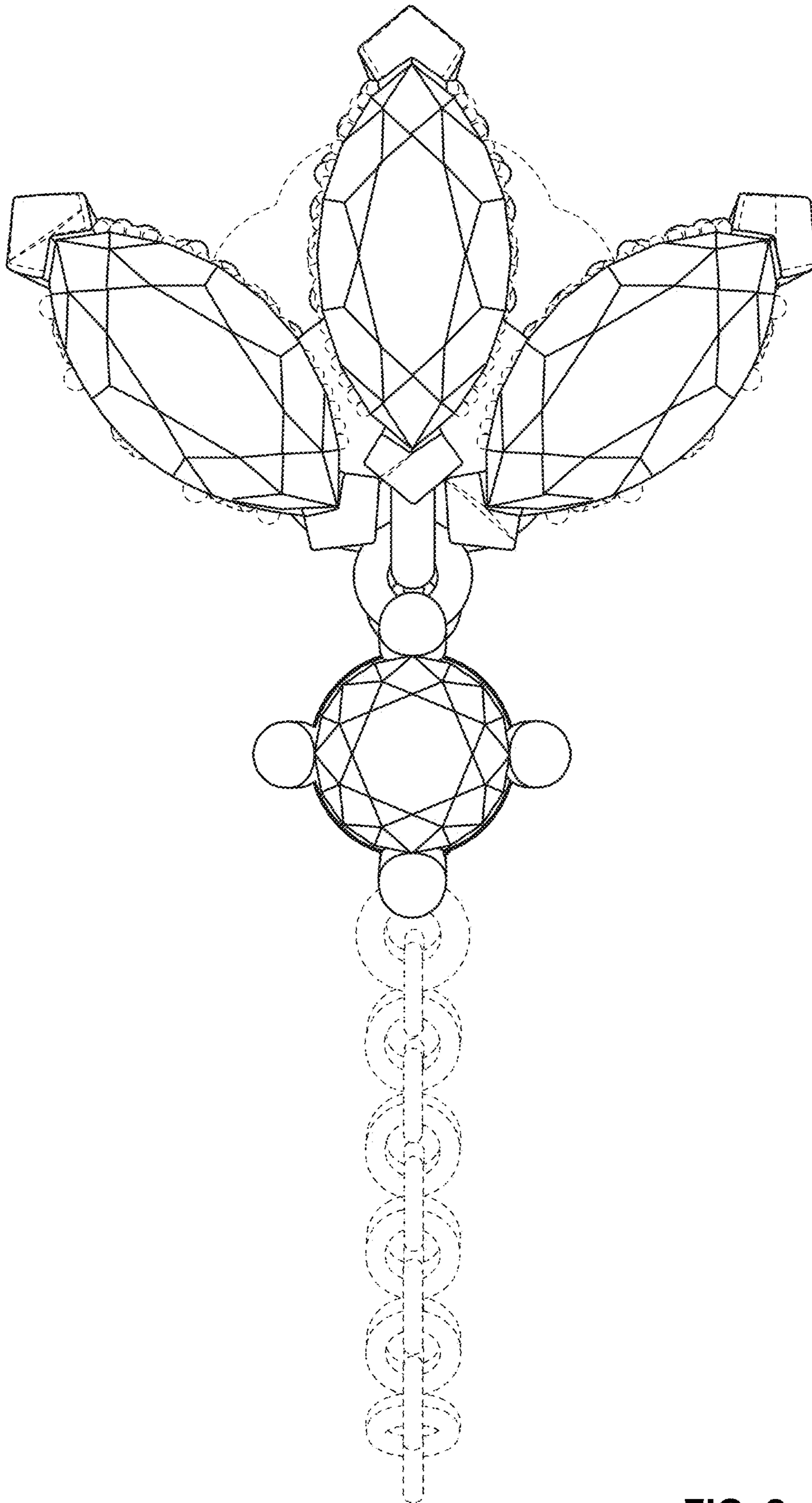


FIG. 2

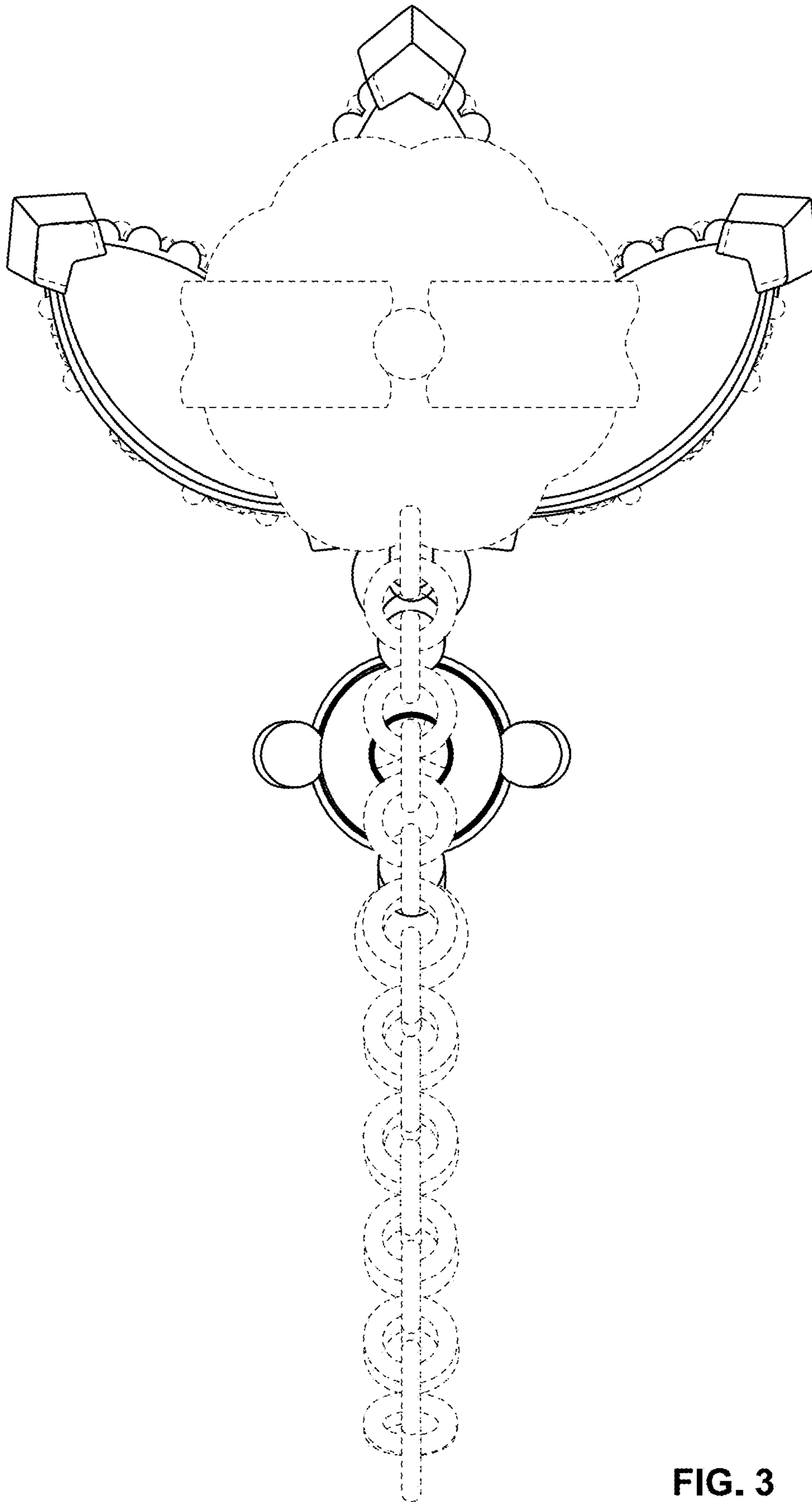


FIG. 3

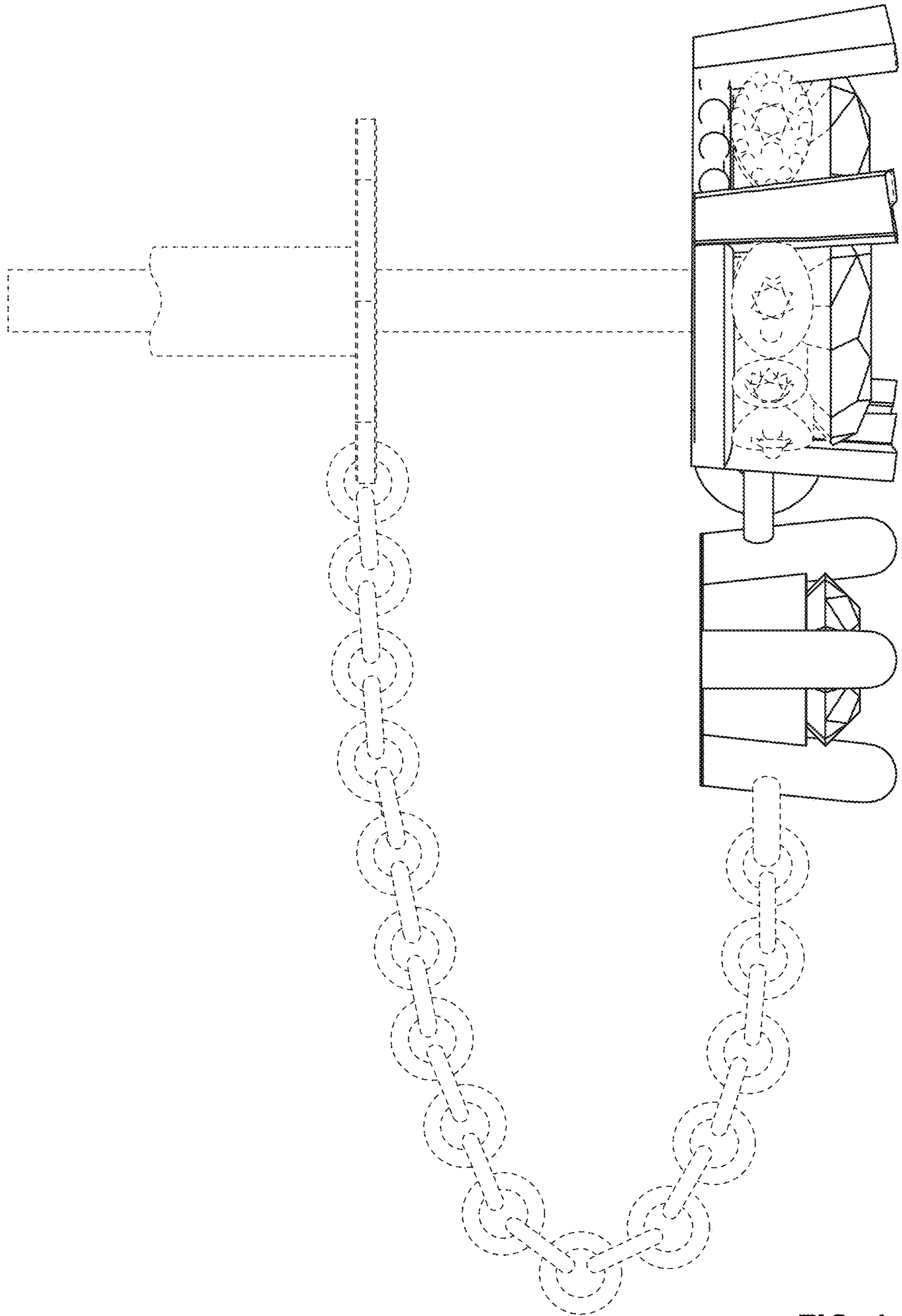


FIG. 4

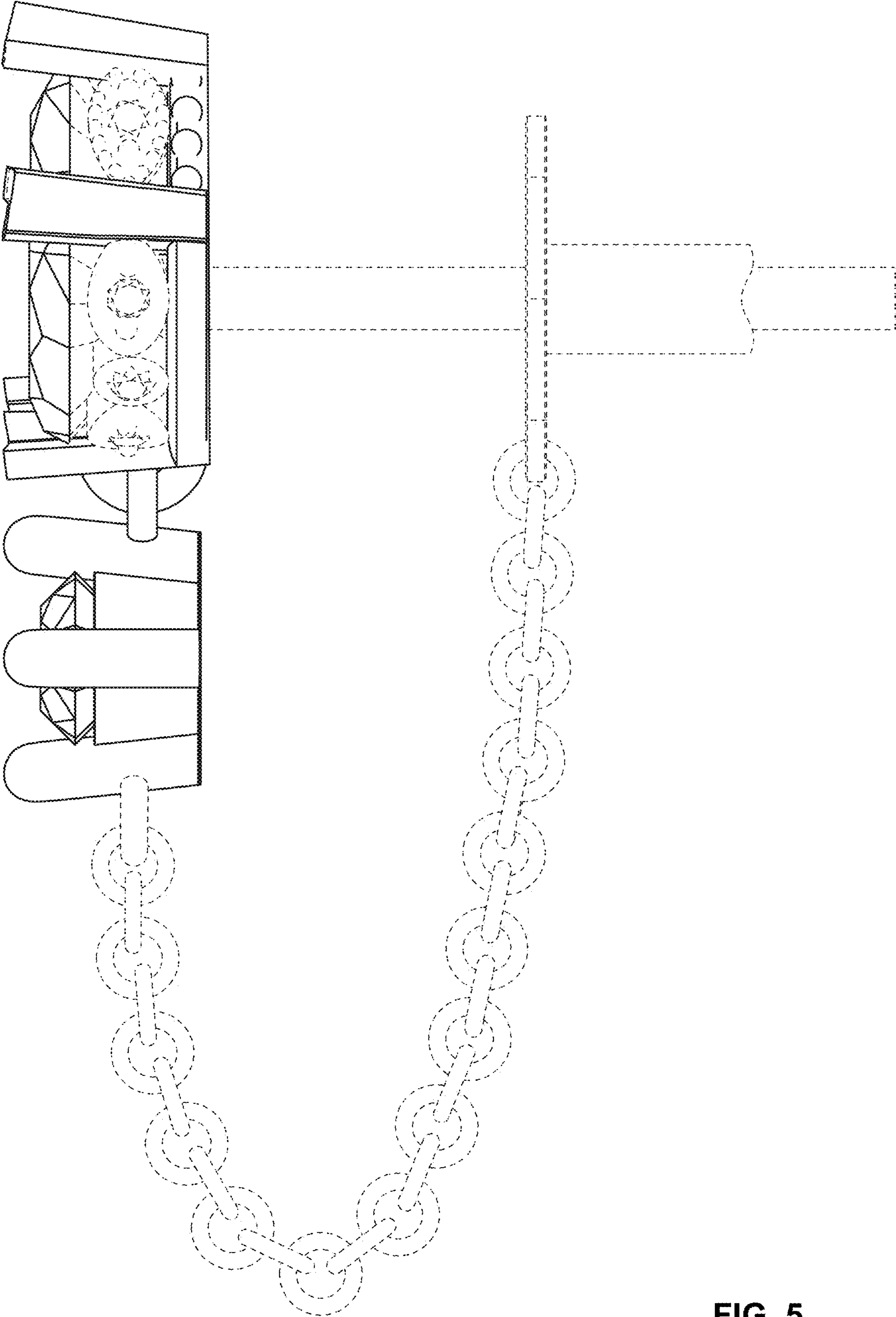


FIG. 5

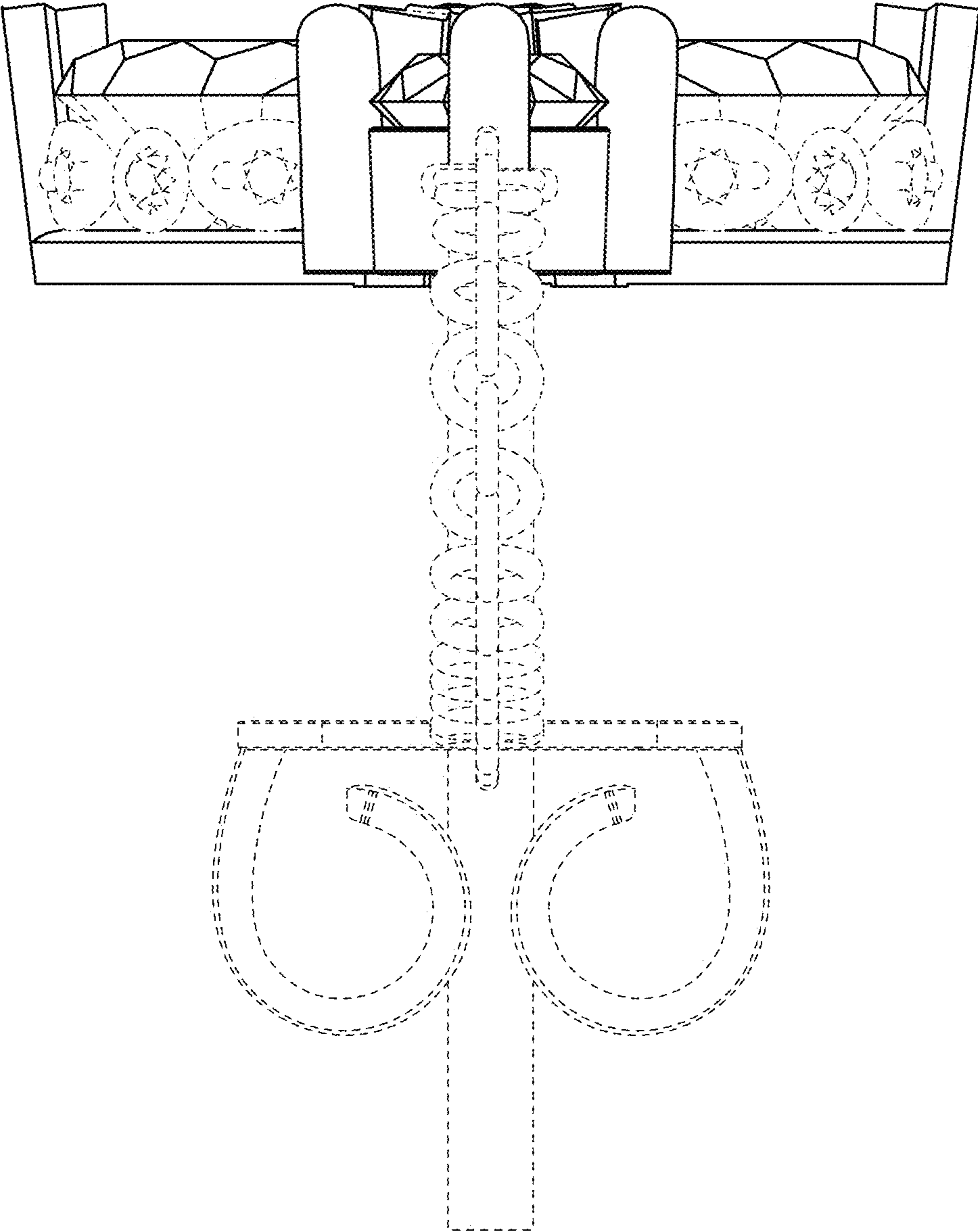


FIG. 6

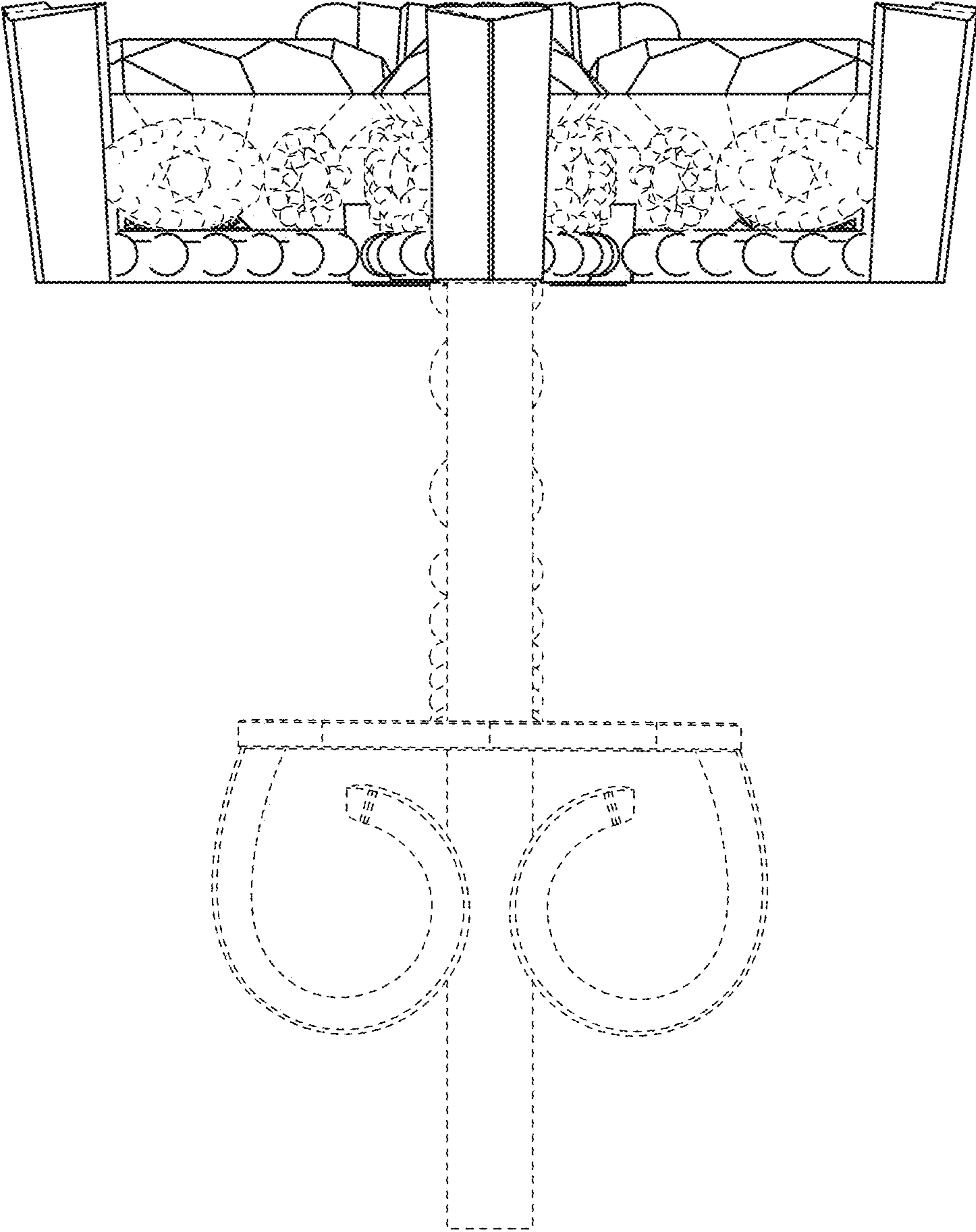


FIG. 7