

US00D960758S

(12) **United States Design Patent** (10) **Patent No.:** **US D960,758 S**
Tashjian (45) **Date of Patent:** **** Aug. 16, 2022**

(54) **EARRING**

(56)

References Cited

(71) Applicant: **Venus by Maria Tash, Inc.**, New York, NY (US)

U.S. PATENT DOCUMENTS

(72) Inventor: **Maria Tashjian**, New York, NY (US)

(73) Assignee: **Venus by Maria Tash, Inc.**, New York, NY (US)

(**) Term: **15 Years**

(21) Appl. No.: **29/796,898**

(22) Filed: **Jun. 28, 2021**

Related U.S. Application Data

(63) Continuation of application No. 29/727,941, filed on Mar. 13, 2020, which is a continuation of application No. 29/698,106, filed on Jul. 15, 2019, now Pat. No. Des. 878,236.

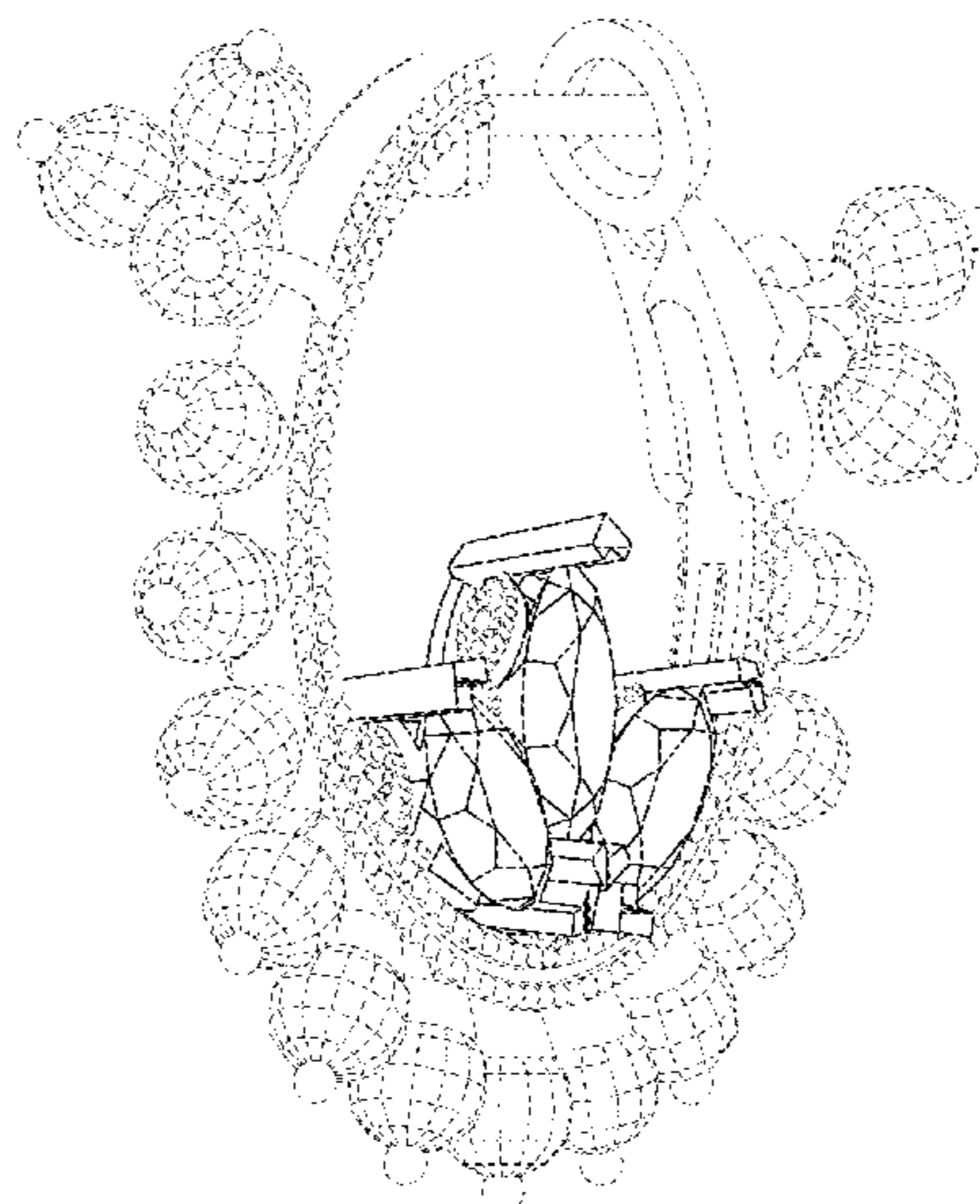
(51) **LOC (13) Cl.** **11-01**

(52) **U.S. Cl.**
USPC **D11/40; D11/91**

(58) **Field of Classification Search**
USPC D11/40-49, 1, 3, 4, 716, 79-86, 89, 90, D11/91, 92, 118, 124, 125
CPC A44C 7/00; A44C 7/002; A44C 7/003; A44C 7/004; A44C 7/005; A44C 7/006; A44C 7/007; A44C 7/008; A44C 7/009; A44C 25/00; A44C 25/001; A44C 25/002; A44C 25/007; A44C 1/00; A44C 5/00; A44C 5/0084; A44C 15/005; A44C 17/02; A44C 17/0208; A44C 17/0216; A44C 17/0225; A44C 17/0233; A44C 17/0241; A44C 17/025; A44C 17/0258; A44C 17/0266; A44C 17/0275; A44C 17/0283; A44C 17/0291

See application file for complete search history.

20,480 A	6/1858	Carpenter	
130,771 A	8/1872	Tryner	
292,810 A	2/1884	Hartmann	
D32,523 S	4/1900	Zell	
D136,958 S	10/1943	Rubel	
D137,112 S	10/1943	Rubel	
D139,254 S	8/1944	Philippe	
D150,589 S	9/1947	Katz	
D150,612 S	10/1947	Katz	
D151,171 S	1/1948	Philippe	
D154,608 S	1/1949	Katz	
D156,271 S	7/1949	Philippe	
D156,312 S	8/1949	Bogoff	
D159,118 S	2/1950	Weinberg	
2,502,386 A	3/1950	Mailand	
D159,846 S *	8/1950	Philippe	D11/70
D161,286 S	9/1950	Semensohn	
D161,289 S	9/1950	Semensohn	
D162,461 S	12/1950	Philippe	
D164,946 S	7/1951	Philippe	
D169,726 S	1/1953	Bell	
D170,349 S	5/1953	Bell	
D170,266 S	6/1953	Katz	
D171,728 S	11/1953	Philippe	
D171,708 S	3/1954	Katz	
D173,990 S	2/1955	Katz	
D176,782 S	1/1956	Katz	
D177,121 S	3/1956	Katz	
D177,130 S *	3/1956	Katz	D11/45
D187,812 S	5/1960	Randall	
3,382,589 A	5/1968	Dowling	
D242,670 S	12/1976	Northup	
D244,126 S	4/1977	Ladjimi	
D244,920 S	7/1977	Kelman	
D245,650 S	9/1977	Mueller et al.	
D246,357 S	11/1977	Durante	
D247,614 S	3/1978	Kelman	
D248,380 S	7/1978	Burchett	
D248,458 S	7/1978	Gatof et al.	
D248,801 S	8/1978	Tafoya	
D249,129 S	8/1978	Fishman	
D249,130 S	8/1978	Fishman	
D249,252 S	9/1978	Gatof	
D249,337 S	9/1978	DiOrio	
D250,456 S	12/1978	Fishman	
D250,457 S	12/1978	Fishman	
D250,516 S	12/1978	Fishman	
D250,517 S	12/1978	Fishman	
D251,715 S	5/1979	Fishman	



US D960,758 S

Page 2

D255,670 S	7/1980	Ambler	D305,996 S	2/1990	Bulgari
D255,885 S	7/1980	Andrews	D307,989 S	5/1990	Stewart
D256,003 S	7/1980	Barr	D308,027 S	5/1990	Bulgari
D257,023 S	9/1980	Barr	D308,179 S	5/1990	Perlmutter et al.
D257,024 S	9/1980	Barr	D308,180 S	5/1990	Bulgari
D257,026 S	9/1980	Barr	D308,348 S	6/1990	Leopoldi
D259,110 S	5/1981	Russell	D308,349 S	6/1990	Bulgari
D260,622 S	9/1981	Barr	D308,650 S	6/1990	Bulgari
D260,744 S	9/1981	Barr	D308,651 S	6/1990	Bulgari
D261,245 S	10/1981	Epstein	D308,652 S	6/1990	Bulgari
D261,246 S	10/1981	Epstein	D308,838 S	6/1990	Bulgari
D261,247 S	10/1981	Epstein	D308,949 S	7/1990	Bulgari
D261,372 S	10/1981	Fried	D308,950 S	7/1990	Greenhouse
D262,272 S	12/1981	Block	D309,879 S	8/1990	Bulgari
D264,060 S	4/1982	Epstein	D310,926 S	10/1990	Bass et al.
D265,641 S	8/1982	Bongiorno	D310,979 S	10/1990	Perry
D265,811 S	8/1982	Barr	D311,502 S	10/1990	Bulgari
D265,894 S	8/1982	Barr	D313,202 S	12/1990	Bulgari
D265,895 S	8/1982	Barr	D313,370 S	1/1991	Steiner
D267,241 S	12/1982	Bulgari	D315,211 S	3/1991	Reil
D268,016 S	2/1983	Block	D315,248 S	3/1991	Marshall
D271,952 S	12/1983	Altman	D315,654 S	3/1991	Hummel
D272,327 S	1/1984	Bulgari	D317,095 S	5/1991	Albers et al.
D272,994 S	3/1984	Serapiglia	D317,422 S	6/1991	Hardy
D273,371 S	4/1984	Bulgari	D318,197 S	7/1991	Butler
D273,472 S	4/1984	Goldstein	D319,801 S	9/1991	Bulgari
D274,418 S	6/1984	Bruce	D320,573 S	10/1991	Bulgari
D274,709 S	7/1984	Bulgari	D320,798 S	10/1991	Holt
D278,987 S	5/1985	Zauderer	D320,799 S	10/1991	Holt
D279,082 S	6/1985	Bulgari	D320,951 S	10/1991	Bulgari
D279,874 S	7/1985	Moon	D321,149 S	10/1991	Royer
D279,875 S	7/1985	Moon	D321,150 S	10/1991	Bulgari
D279,876 S	7/1985	Moon	D322,890 S	1/1992	Drews
D279,877 S	7/1985	Moon	D324,350 S	3/1992	Owens, Jr.
D279,878 S	7/1985	Moon	D324,871 S	3/1992	Cordet et al.
D279,879 S	7/1985	Moon	D325,542 S	4/1992	Rubin et al.
D279,880 S	7/1985	Moon	D325,543 S	4/1992	Gueit
D279,881 S	7/1985	Moon	D326,066 S	5/1992	Sprague
D279,882 S	7/1985	Moon	D326,429 S	5/1992	Azrielant
D279,883 S	7/1985	Moon	D326,430 S	5/1992	Ortega
D279,884 S	7/1985	Moon	D326,595 S	6/1992	Badgerow et al.
D279,885 S	7/1985	Moon	D326,828 S	6/1992	Bulgari
4,538,429 A	9/1985	Bradford	D327,030 S	6/1992	Young
D281,149 S	10/1985	Krogh	D327,850 S	7/1992	Reil
D281,767 S	12/1985	Mason	D327,982 S	7/1992	Williams
D282,647 S	2/1986	Bulgari	D329,341 S	9/1992	Rhodes
D283,205 S	4/1986	Stephenson	D329,565 S	9/1992	Kane et al.
D284,952 S	8/1986	Ricks	D330,872 S	11/1992	Ball
D286,758 S	11/1986	Bulgari	5,161,391 A	11/1992	Lorberfeld
D287,230 S	12/1986	Bulgari	D331,891 S	12/1992	Foley
D287,231 S	12/1986	Copeland	D332,025 S	12/1992	Caldwell et al.
D287,577 S	1/1987	Lorberfeld	D333,279 S	2/1993	Fryklund
D290,446 S	6/1987	Bulgari	D334,003 S	3/1993	Vogelsang
4,688,400 A	8/1987	Chioffe	D334,004 S	3/1993	Mandelbaum
D292,501 S	10/1987	Jones	D334,010 S	3/1993	Mandelbaum
D292,560 S	11/1987	Di Maria et al.	D334,153 S	3/1993	Mandelbaum
D292,685 S	11/1987	Bulgari	D334,353 S	3/1993	Lorberfeld
D292,686 S	11/1987	Bulgari	D334,855 S	4/1993	Harrington et al.
D292,687 S	11/1987	Pesonen	D335,959 S	6/1993	Blake
D292,780 S	11/1987	Galask	D335,995 S	6/1993	Soles
D293,899 S	1/1988	Bulgari	D336,574 S	6/1993	Rhodes
D294,473 S	3/1988	Bulgari	D336,621 S	6/1993	Vogelsang
D294,684 S	3/1988	Saraga	D337,741 S	7/1993	Garfolo
D295,151 S	4/1988	Saraga	D337,910 S	8/1993	Paluba
D295,267 S	4/1988	Saraga	D337,963 S	8/1993	Gladorisi
D298,611 S	11/1988	Saraga	D338,117 S	8/1993	Caldwell et al.
D301,120 S	5/1989	Alviti	D339,310 S	9/1993	Azrielant
D301,314 S	5/1989	Shapiro	D342,691 S	12/1993	Milgrom
D301,561 S	6/1989	Westmoland	D342,894 S	1/1994	DiDomenico
D301,562 S	6/1989	Gaskill	D343,535 S	1/1994	Scott
D302,252 S	7/1989	Sykes	D343,749 S	2/1994	Thompson
D302,400 S	7/1989	Bulgari	D344,910 S	3/1994	Nelson
D302,401 S	7/1989	Weingast	D345,051 S	3/1994	Wills
D303,230 S	9/1989	Westmoland	D346,343 S	4/1994	Haugh
D303,999 S	10/1989	Hansson	D347,801 S	6/1994	Church
D304,433 S	11/1989	McConnell, Jr.	D348,023 S	6/1994	Horner et al.
D304,532 S	11/1989	Campbell	D348,854 S	7/1994	Salsgiver
D304,533 S	11/1989	Campbell	D348,997 S	7/1994	Menner
D305,311 S	1/1990	Roberts	D350,027 S	8/1994	Downes et al.

US D960,758 S

D352,190 S	11/1994	Tucker	D401,486 S	11/1998	Becker
5,363,675 A	11/1994	Carter	D401,884 S	12/1998	Gruosi
D353,120 S	12/1994	Pandel	D406,544 S	3/1999	Leonard
D353,501 S	12/1994	Kral	D407,344 S	3/1999	Dubnicka
D354,016 S	1/1995	Schubert	D408,315 S	4/1999	Lavalais
D354,927 S	1/1995	Andrau	D408,317 S	4/1999	Karmeli
D356,751 S	3/1995	Gross et al.	D410,589 S	6/1999	Lagergren
D358,067 S	5/1995	Graves	D413,830 S	9/1999	Moten
D358,210 S	5/1995	Rell	D415,446 S	10/1999	Kattan
D359,254 S	6/1995	Gross et al.	D417,636 S	12/1999	Ambar
D359,705 S	6/1995	Ball	D418,079 S	12/1999	Porcell
D359,706 S	6/1995	DeAngelis	D419,908 S	2/2000	Leonard
D361,451 S	8/1995	Reiland	D420,304 S	2/2000	Porcell
D362,821 S	10/1995	Marchessault	D420,934 S	2/2000	Montaquila
D363,218 S	10/1995	Mann	D423,979 S	5/2000	Montaquila
D363,602 S	10/1995	Asher	D424,468 S	5/2000	Bergagnini
D363,683 S	10/1995	Spurgeon et al.	D424,695 S	5/2000	Rell
D365,779 S	1/1996	Archambeault	D427,540 S	7/2000	Calvani
D366,729 S	1/1996	Rell	D429,658 S	8/2000	Biagi
D367,384 S	2/1996	DiFranco et al.	D430,815 S	9/2000	Montaquila
D368,671 S	4/1996	Ross	D434,877 S	12/2000	Harral
D370,372 S	6/1996	Kraft	D435,476 S	12/2000	Gruosi
D370,866 S	6/1996	Lange	D436,727 S	1/2001	Hsu
D371,754 S	7/1996	Dunham	D439,190 S	3/2001	Itzkowitz
D371,982 S	7/1996	Price	D439,193 S	3/2001	Gruosi
D372,312 S	7/1996	Lange	D441,313 S	5/2001	Turner
D372,380 S	8/1996	Montalbo et al.	D450,615 S	11/2001	Ambar
D373,742 S	9/1996	Janice	D454,810 S	3/2002	Knee
D374,637 S	10/1996	Esser	D455,974 S	4/2002	Torres
D374,837 S	10/1996	Austin	D458,182 S	6/2002	Gruosi
D375,703 S	11/1996	Lowe et al.	D461,409 S	8/2002	Kardush
D376,335 S	12/1996	Shechter	D468,494 S	1/2003	Holloway
D376,476 S	12/1996	Tepen et al.	D472,497 S	4/2003	Bonnet
D376,768 S	12/1996	Ross	D474,353 S	5/2003	Gist Skinner
5,588,309 A	12/1996	Chioffe	D479,145 S	9/2003	Newman
D377,461 S	1/1997	Kloppenbug, Jr. et al.	D481,326 S	10/2003	Bonifacio
D378,360 S	3/1997	Montaquila	D481,646 S	11/2003	Bonifacio
D378,808 S	4/1997	Shechter	D484,822 S	1/2004	Crova
D379,305 S	5/1997	VanFleet	D485,203 S	1/2004	Pachachi
D379,601 S	6/1997	Itzkowitz	D485,204 S	1/2004	Sandberg
D380,978 S	7/1997	Matye	D486,091 S	2/2004	Pachachi
D381,925 S	8/1997	Bergannini	D486,416 S	2/2004	Pachachi
5,660,061 A	8/1997	Magida	D487,408 S	3/2004	Coin
D383,699 S	9/1997	Bulgari	D489,639 S	5/2004	Castle
D383,700 S	9/1997	Bulgari	D505,092 S *	5/2005	Kothari D11/91
D383,706 S	9/1997	Archambault	D506,406 S	6/2005	Sandberg
D383,998 S	9/1997	Condron	D507,985 S	8/2005	Sandberg
D385,814 S	11/1997	Kilpatrick	D511,310 S	11/2005	Gruosi
D386,108 S	11/1997	Montaquila	D513,392 S	1/2006	Arbore
D386,439 S	11/1997	Itzkowitz	D515,452 S	2/2006	Arbore
D386,711 S	11/1997	Matye	D516,453 S	3/2006	Kayamori et al.
D388,011 S	12/1997	Leonard	D520,897 S	5/2006	Sandberg
D388,012 S	12/1997	Matye	D531,078 S	10/2006	Chan
D388,013 S	12/1997	Rich	D533,104 S *	12/2006	Ho D11/90
D388,357 S	12/1997	Montaquila	D533,803 S	12/2006	Corso
D388,734 S	1/1998	Montaquila	D535,580 S	1/2007	Arbore
D388,735 S	1/1998	Webber	D537,377 S	2/2007	Becker
D389,085 S	1/1998	Montaquila	D537,750 S	3/2007	Allin
D389,424 S	1/1998	Montaquila	D537,751 S	3/2007	Becker
D389,775 S	1/1998	Bulgari	D538,195 S	3/2007	Williams
D389,776 S	1/1998	Montaquila	D538,701 S	3/2007	Williams
D390,151 S	2/1998	Blum et al.	D539,690 S	4/2007	Allin
D390,802 S	2/1998	Bulgari	D540,212 S	4/2007	Becker
D391,516 S	3/1998	Kothari	D541,694 S	5/2007	Ping
D391,756 S	3/1998	Horne	D542,169 S *	5/2007	Johari D11/34
D391,887 S	3/1998	Barr	D542,170 S	5/2007	Bruno et al.
D391,888 S	3/1998	Fox	D542,696 S	5/2007	Cilluffo
D392,041 S	3/1998	Reil	7,217,014 B2	5/2007	Nielson
D392,042 S	3/1998	Reil	D544,389 S	6/2007	Ooten
D392,206 S	3/1998	Kothari	D545,716 S	7/2007	Bulgari
D393,604 S	4/1998	Webber	D549,125 S	8/2007	Malone
D393,812 S	4/1998	Silveri	D549,607 S	8/2007	Mouclier
D394,021 S	5/1998	Matye	D550,583 S	9/2007	Karachi-Langane
D394,769 S	6/1998	Flint	D554,020 S	10/2007	Bruno et al.
D394,821 S	6/1998	Montaquila	D555,030 S	11/2007	Hardy
D394,823 S	6/1998	Vos	D556,620 S	12/2007	Chan
D398,875 S	9/1998	Kothari	D562,718 S	2/2008	Wong
D398,876 S	9/1998	Kothari	D567,132 S	4/2008	Bulgari
D401,182 S	11/1998	Bulgari	D567,133 S	4/2008	Crawford

US D960,758 S

D567,134 S	4/2008	Bulgari	D673,070 S	12/2012	Papadimitriou
D567,702 S	4/2008	Walters	D674,719 S	1/2013	Bennett
D574,745 S	8/2008	Nolan	D674,720 S	1/2013	Bennett
D574,746 S	8/2008	Nolan	D676,349 S	2/2013	Papadimitriou
D588,490 S	3/2009	Momjian	D676,785 S *	2/2013	Kothari D11/91
D591,192 S	4/2009	Nolan	D678,101 S	3/2013	Parvex
D592,538 S	5/2009	Momjian	D680,024 S	4/2013	Le Bail
D599,694 S	9/2009	Nolan	D684,085 S	6/2013	Papadimitriou
D599,695 S	9/2009	Nolan	D689,392 S	9/2013	Parvex
D600,586 S	9/2009	Nolan	D691,510 S *	10/2013	Ho D11/92
D601,056 S	9/2009	Atallah	D692,261 S	10/2013	Sharp
D601,917 S	10/2009	Nolan et al.	D692,342 S	10/2013	Bennett
D603,289 S	11/2009	Lebail	D693,260 S	11/2013	Papadimitriou
D605,968 S	12/2009	Colombani	D693,721 S	11/2013	Papadimitriou
D605,970 S	12/2009	Colombani	D694,146 S	11/2013	Beeson
D606,443 S	12/2009	Traglio	D703,084 S	4/2014	Parvex
D606,896 S	12/2009	Traglio	D707,151 S	6/2014	Kimbrough et al.
D607,363 S	1/2010	Traglio	D707,152 S	6/2014	Shields
D607,364 S	1/2010	Marks	D708,540 S	7/2014	Norendzayan
D608,239 S	1/2010	McCarty-O'Brien	D708,541 S	7/2014	Norendzayan
D610,033 S	2/2010	Colombani	D709,792 S	7/2014	Singer et al.
D610,934 S	3/2010	Papadimitriou	8,763,357 B1	7/2014	Arnone
D610,935 S	3/2010	Papadimitriou	D714,673 S	10/2014	Bradley
D614,073 S	4/2010	Cabarbaye	D716,685 S	11/2014	Oh
D619,030 S	7/2010	Papadimitriou	D718,649 S	12/2014	Harel-Klein et al.
D619,488 S	7/2010	Gruosi	D718,650 S	12/2014	Weems
D620,833 S	8/2010	Papadimitriou	D720,647 S	1/2015	Kwon
D621,279 S	8/2010	Janssen	D722,907 S	2/2015	Miceli
D621,281 S	8/2010	Janssen	D726,577 S	4/2015	Weems
D621,721 S	8/2010	Walker-Spry	D727,773 S	4/2015	Kwon
D623,081 S	9/2010	Papadimitriou	D727,774 S	4/2015	Kwon
D624,843 S	10/2010	Colombani	D727,775 S	4/2015	Yatsugi-Kang
D626,881 S	11/2010	Meneau	D727,776 S	4/2015	Weems
D627,252 S	11/2010	Warren	D727,778 S	4/2015	Levinson et al.
D627,253 S	11/2010	Meneau	D728,410 S	5/2015	Yatsugi-Kang
D628,113 S	11/2010	Papadimitriou	D729,107 S	5/2015	Riviere
D628,114 S	11/2010	Papadimitriou	D729,108 S	5/2015	Kwon
D629,325 S	12/2010	Papadimitriou	D731,347 S	6/2015	Zeuner
D630,965 S	1/2011	Papadimitriou	D733,574 S	7/2015	Walker-Spry
D630,967 S	1/2011	Lebail	D737,717 S	9/2015	Weems
D631,383 S	1/2011	Papadimitriou	D738,774 S	9/2015	Vartanian
D631,384 S	1/2011	Papadimitriou	D738,775 S	9/2015	Vartanian
D631,385 S	1/2011	Lebail	D740,153 S	10/2015	Vartanian
D632,605 S	2/2011	Marchand	D740,154 S	10/2015	Vartanian
D634,214 S	3/2011	Janssen	D742,779 S	11/2015	Traglio
D635,608 S	4/2011	Gray	D743,293 S	11/2015	Weems
D636,696 S	4/2011	Lebail	D746,719 S	1/2016	Weems
D637,103 S	5/2011	Lebail	D747,665 S	1/2016	Hooper
D637,104 S	5/2011	Papadimitriou	D747,666 S	1/2016	Yatsugi-Kang
D639,692 S	6/2011	Papadimitriou	D748,003 S	1/2016	Vartanian
D639,694 S	6/2011	Papadimitriou	D748,004 S	1/2016	Vartanian
D640,585 S	6/2011	Nolan	D748,005 S	1/2016	Vartanian
D642,086 S	7/2011	Modi	D748,006 S	1/2016	Vartanian
7,980,095 B1	7/2011	Masterson	D748,522 S	2/2016	Vartanian
D647,421 S	10/2011	Nolan	D748,524 S	2/2016	Vartanian
D647,817 S *	11/2011	Kothari D11/91	D748,525 S	2/2016	Tatsugi-Kang
D648,242 S	11/2011	Hara	D749,456 S	2/2016	Gruosi
D653,151 S	1/2012	Bennett	D749,978 S	2/2016	Holubar
D655,193 S	3/2012	Janssen	D749,981 S	2/2016	Vartanian
D658,090 S	4/2012	Papadimitriou	D751,451 S *	3/2016	Kwon D11/42
D658,529 S	5/2012	Papadimitriou	D752,472 S	3/2016	Riviere
D658,530 S	5/2012	Papadimitriou	D753,012 S	4/2016	Yatsugi-Kang
D659,583 S	5/2012	Papadimitriou	D753,015 S	4/2016	Crafton et al.
D660,743 S	5/2012	Crafton	D753,533 S	4/2016	Roth
D660,744 S	5/2012	Papadimitriou	D758,911 S	6/2016	Kwon
D660,745 S	5/2012	Papadimitriou	D760,110 S	6/2016	Miller
D661,219 S	6/2012	Papadimitriou	D760,618 S	7/2016	Yatsugi-Kang
D662,005 S	6/2012	Bennett	D761,658 S	7/2016	Walker-Spry
D664,061 S	7/2012	Papadimitriou	D763,720 S	8/2016	Yatsugi-Kang
D664,062 S	7/2012	Papadimitriou	D764,342 S	8/2016	Bulgari
D665,297 S	8/2012	Parris	D764,343 S	8/2016	Bulgari
D665,298 S	8/2012	Papadimitriou	D772,099 S	11/2016	Roth
D665,693 S	8/2012	Bennett	D778,200 S	2/2017	Iacomucci
D668,986 S	10/2012	Friedman	D780,034 S	2/2017	Kwon
D669,386 S	10/2012	Papadimitriou	D780,036 S	2/2017	Silvestri
D669,387 S	10/2012	Kwon	D780,037 S	2/2017	Magallanes-Leal
D670,191 S	11/2012	Bennett	D780,038 S	2/2017	Riviere
D671,439 S	11/2012	Bennett	D780,039 S	2/2017	Abdourahim
D672,681 S	12/2012	Bennett	D780,040 S	2/2017	Galli

D781,739 S	3/2017	Nickels	
D782,934 S	4/2017	Riviere	
D783,442 S	4/2017	Yatsugi-Kang	
D784,846 S	4/2017	Abdourahim	
D785,491 S	5/2017	Yatsugi-Kang	
D789,826 S	6/2017	Riviere	
D792,266 S	7/2017	Hardy	
D792,803 S	7/2017	Abdourahim	
D796,372 S	9/2017	Gruosi	
D797,599 S	9/2017	Yatsugi-Kang	
D800,012 S	10/2017	Oliner-Katz	
D807,774 S	1/2018	Hardy	
D808,851 S	1/2018	Kwon	
D809,419 S	2/2018	Hardy	
D809,960 S	2/2018	Marchand	
D809,961 S	2/2018	Magallanes-Leal	
D809,962 S	2/2018	Le Bail	
D810,612 S	2/2018	Corey et al.	
D811,928 S	3/2018	Stern	
D812,510 S	3/2018	Levy	
D813,080 S	3/2018	Sallard	
D813,708 S	3/2018	Lane	
D813,709 S	3/2018	Dholakiya	
D814,291 S	4/2018	Taylor	
D815,556 S	4/2018	Stern	
D816,538 S	5/2018	Nickels	
D818,867 S	5/2018	Heller	
D820,145 S	6/2018	Galli	
D822,531 S	7/2018	Stern	
D822,532 S	7/2018	Stern	
D824,276 S	7/2018	Blootacker	
D824,277 S	7/2018	Sallard	
D826,080 S	8/2018	Gentile et al.	
D834,988 S	12/2018	Silvestri	
D836,018 S	12/2018	An	
D842,753 S	3/2019	Morin	
D846,423 S	4/2019	Buccellati	
D847,683 S	5/2019	Buccellati	
D851,532 S	6/2019	Yamada	
D852,079 S	6/2019	Sivriere	
D878,236 S *	3/2020	Tashjian	D11/42
D878,958 S	3/2020	Tashjian	
D934,728 S *	11/2021	Wuest	D11/42
2008/0022720 A1	1/2008	Ciccione	
2010/0212356 A1	8/2010	Namiki	
2011/0083471 A1	4/2011	Chough	
2013/0186134 A1	7/2013	Goldstein	
2014/0150496 A1	6/2014	Briggs-Jenkins	
2017/0079388 A1	3/2017	Kita	
2018/0343990 A1	12/2018	Repossi	

OTHER PUBLICATIONS

10 pairs of tiny stud and hoop earrings that look really expensive, Get the Gloss, <https://www.getthegloss.com/article/the-best-tiny-stud-and-hoop-earrings-to-buy-on-a-budget> downloaded from Internet Nov. 2020 (1 page).
 Amethyst Triple Marquise Stud Earrings, Curated Los Angeles, <https://www.curated-losangeles.com/products/amethyst-triple-marquise-stud-earrings> downloaded from Internet Nov. 2020 (1 page).
 Blue Buddha Boutique, Cre8time Movement: Jewelry Project in 8 steps of Less—Coiled Earrings, <http://www.bluebuddhaboutique.com/blog/2013/04/cre8time-movement-jewelry-project-in-8-steps-or-less-coiled-earrings/>, Apr. 6, 2013 (6 pages).
 BVLA Rose Gold Mini Kandy, Mercari, https://www.mercari.com/us/item/m42382037488/?ref~brand_detail downloaded from Internet Nov. 2020 (1 page).
 Casasconil.info Chandelier, Glass Crystal Chandelier Drops, Jul. 28, 2018 (54 pages).
 Crafty Blog Stalker, How to Make Crystal Drop Earrings, <https://thecraftyblogstalker.com/diy-rhinestone-drop-earrings/>, last updated Jun. 17, 2019 (12 pages).
 Crystal Dangle Hoop Earrings 925 Sterling Silver Dianty Dangling Charms Cubic Zirconia Small Huggie Round Hoops 10mm Delicate Jewelry for Women Girls Birthday Gifts: Clothing, Amazon.com,

<https://www.amazon.com/Earrings-Sterling-Dangling-Zirconia-Delicate/dp/B0895FQB6X> downloaded from Internet Nov. 2020 (1 page).
 CZ Marquise DANGLE screw flat back cartilage stud, helix earring, Etsy, https://www.etsy.com/listing/777314953/cz-marquise-s-dangle-screw-flat-back?ga_order=most_relevant&ga_search_type=all&ga_view_type=gallery&ga_search_query=triple+marquise+stud&ref=sr_gallery-1-8&pr_o=1 downloaded from Internet Nov. 2020 (1 page).
 Dangling Gemstone Earring 925 Solid Sterling Silver Rose Gold, Etsy, https://www.etsy.com/listing/851972585/dangling-gemstone-earring-925-solid?ga_order=most_relevant&ga_search_type=all&ga_view_type=gallery&ga_search_query=MARIA+TASH&ref=sr_gallery-1-1&organic_search_click=1&frs=1&col=1 downloaded from Internet Nov. 2020 (1 page).
 Djula, Gold and Diamond Multi tassel hoop piercing, <https://www.djula.fr/en/piercings/567-multi-tassel-hoop-piercing.html> downloaded from Internet Nov. 2020 (1 page).
 Free People, 6.5mm Gold Tassel Eternity Single Earring <https://www.freepeople.com/shop/65mm-gold-tassel-eternityingle-earring/>.
 Fringe Hoop Earrings for Sale at Auction on Tue, Feb. 22, 2011—07:00—Pair of White Gold, Blue Topaz, Pink Tourmaline and Diamond Earrings, Fine Jewelry and Contents of Abandoned Safe Deposit Boxes from Bank of America, Doyle Auction House, <https://doyle.com/auctions/11j101-fine-jewelry-and-contents-of-abandoned-safe-deposit-boxes-from-bank-of-america-148> downloaded from Internet Nov. 2020 (1 page).
 Luxury Exaggeration Big Round Pearl Hoop Earrings For Women Boho Geometric Large Statement Hanging Earrings 2019 Fashion Jewelry Hoop Earrings—AliExpress, https://www.aliexpress.com/item/33011429560.html?spm=a2g0o.productlist.0.0.8bf2647ds4vMa6&algo_pvid=9ea83007-0e57-451b-9bca-bcdedcd698d7&algo_expid=9ea83007-0e57-451b-9bca-bcdedcd698d7-30&btsid=0bb0622f16033748731547472ee84d&ws_ab_test=searchweb0_0.searchweb201602_searchweb201603 downloaded from Internet Nov. 2020 (1 page).
 Maria Tash 14g 8mm Single Chain Septum Spinner, <https://www.mariatash.com/14g-8mm-single-chain-septum-spinner.html#>; downloaded from Internet Aug. 31, 2020 (1 page).
 Maria Tash 16mm Diamond In-Set Lotus Coronet Hoops Pair, <https://www.mariatash.com/16mm-diamond-inet-lotcoronet-hoops-pair.html?metal=White%20Gold>.
 Maria Tash 3mm Diamond Engraved Lotus Threaded Stud, <https://www.mariatash.com/jewelry/helix-jewelry/3mm-diamond-engraved-lotus-threaded-stud.html#> downloaded from Internet Nov. 2020 (1 page).
 Maria Tash 6.5mm Diamond Eternity Ring and Two Cuffs, <https://www.mariatash.com/jewelry/earlobe/diamond-1-4-triple-eternity-ringnd-two-cuffs-earlobe.html?metal=White%20Gold>.
 Maria Tash 6.5mm Diamond Tassel Eternity Ring, <https://www.mariatash.com/jewelry/earlobe/1-4-diamond-tassel-eternity-ring.html?metal=White%20Gold>.
 Maria Tash Black Rainbow Sapphire 14k Yellow Gold, eBay, <https://www.ebay.com/itm/14k-Yellow-Gold-Maria-Black-Rainbow-Sapphire-Nwt-358-Vry-Maria-Tash-TLL/293780593993?hash=item4466b01d49:g:JP4AAOSwZRNfLe~Z> downloaded from Internet Nov. 2020 (1 page).
 Maria Tash Brand, Amato Fine Jewelry, <https://www.amatopiercing.com/brand/maria-tash/> downloaded from Internet Nov. 2020 (1 page).
 Maria Tash Brand, ShopoTam, Ebay, <http://shopotam.ru/brand/mariatash/> downloaded from Internet Nov. 2020 (1 page).
 Maria Tash Coronet Earrings, Cheaponline, <https://ar.cheaponline2020.net/category?name=coronet%20earrings> downloaded from Internet Nov. 2020 (1 page).
 Maria Tash Diamond and Chain Orbit Joining Earring White Gold 2mm, PicClick UK, <https://picclick.co.uk/Maria-Tash-White-Goid-2mm-Diamond-and-Chain-174458974872.html> downloaded from Internet Nov. 2020 (1 page).
 Maria Tash Diamond Butterfly, RisingBastards, <https://risingbastards.com/2020/10/20/diamond-butterfly-maria-tash/> downloaded from Internet Nov. 2020 (1 page).

- Maria Tash Diamond Delia and Marquise Dangle Chain Orbital, <https://www.mariatash.com/jewelry/earlobe/diamond-delia-marquisend-rounds-chainnd-dangles-orbital.html?metal=Rose%20Gold>.
- Maria Tash Diamond Eternity Ring and Cuff, <https://modesens.com/product/maria-tash-diamond-eternity-rinnd-cuff-18kt-rose-goldinggle-earring-pink-5724852/>.
- Maria Tash Diamond Princess Ring 2mm White Gold, https://rootip.rosendalehistorical.org/index.php?main_page=product_info&products_id=11835 downloaded from Internet Nov. 2020 (1 page).
- Maria Tash Diamond Spike Eternity Earring 18K Yellow Gold 8mm Diameter, PicClick, <https://pickclick.com/Maria-Tash-Diamond-Spike-Eternity-Earring-18K-Yellow-333743759231.html> downloaded from Internet Nov. 2020 (1 page).
- Maria Tash Double Row Gem Clicker Ring 14ct White Gold, Isha Body, <https://ishabodyjewellery.co.uk/products/14ct-white-gold-elegant-clicker-ring?variant29157947572317> downloaded from Internet Nov. 2020 (1 page).
- Maria Tash Earrings, <https://mariatash.com/jewelry/earlobe.html> downloaded from Internet Jun. 30, 2019 (35 pages).
- Maria Tash EUC Silver Tone Mirrored Compact, Poshmark, <https://poshmark.com/listing/EUC-Maria-Tash-Silver-Tone-Mirrored-Compact-5f4fef19e1316439c30fdd81> downloaded from Internet Nov. 2020 (1 page).
- Maria Tash Gold Clicker Eternity Earring Yellow Gold and Pearl Hoop, The Luxury Closet, <https://theluxurycloset.com/us-en/women/maria-tash-gold-clicker-eternity-yellow-gold-and-pearl-single-hoop-earring-p286862> downloaded from Internet Nov. 2020 (1 page).
- Maria Tash Gold Jewelry, Bodyartforms, <https://bodyartforms.com/products.asp?brand=venus+by+maria+tash> downloaded from Internet Nov. 2020 (1 page).
- Maria Tash Inspired Gold Earring With Chain Ring, <https://www.sekaimon.com/s/maria%20tash/-/all> downloaded from Internet Nov. 2020 (1 page).
- Maria Tash Invisible Diamond Lotus Close Garland Ear Climber, <https://www.mariatash.com/jewelry/invisible-diamond-lotus-garland-ear-climber.html>, (2 pages).
- Maria Tash Jewelry, Stylight, <https://www.stylight.com/Maria-Tash/Jewelry/> downloaded from Internet Nov. 2020 (1 page).
- Maria Tash Navel Ring Belly Button Ring, Poshmark, <https://poshmark.com/listing/Maria-Tash-navel-ring-belly-button-ring-5c7ac13c8ad2f9c803c2d159> downloaded from Internet Nov. 2020 (1 Page).
- Maria Tash Products, Pirate Piercing, <https://shop.piratepiercing.be/> downloaded from Internet Nov. 2020 (1 page).
- Maria Tash Septum Chains, Poshmark, <https://poshmark.com/listing/Maria-Tash-Septum-Chains-599706fef739bc9b4401c73c> downloaded from Internet Nov. 2020 (1 page).
- Maria Tash Verkooppunt Vederland, Piercing Boutique, <https://www.piercingboutique.nl/pages/maria-tash-verkooppunt> downloaded from Internet Nov. 2020 (1 page).
- Marquise Baguette Dangling Chains Wrap Stud Earrings, Etsy, https://www.etsy.com/listing/853121609/cartilage-stud-earrings-cartilage-chain?ga_order=most_relevant&ga_search_type=all&ga_view_type=gallery&ga_search_query=marquise%2Bbearings&ga_bref=sc_gallery-2-19&ga_bplkey=76c432b01b045f75add569a8af782f33fe250c00%3A853121609&ga_bpro=1&ga_bcol=1 downloaded from Internet Nov. 2020 (1 page).
- Marquise Chain Stud Earrings Retro 18k Gold Plated Sterling Silver CZ—Alibaba.com, https://www.alibaba.com/product-detail/18K-gold-plated-sterling-silver-CZ_1600101995122.html?spm=a2700.galleryofferlist.normal_offer.d_image.798a14a2tpXmMR downloaded from Internet Nov. 2020 (1 page).
- Marquise CZ Flower Shaped Stud Earrings With Dangling Chain—Alibaba.com, https://www.alibaba.com/product-detail/Marquise-CZ-Flower-Shaped-Stud-Earrings_1700001431499.html?spm=a2700.galleryofferlist.normal_offer.d_image.798a14a2tpXmMR downloaded from Internet Nov. 2020 (1 page).
- Marquise CZ Flower Stud Earrings, S925 Sterling Silver Post 14K Gold Plated Minimalist Dainty Flower Shaped Stud Earrings With Dangling Charm Marquise Studs Earrings Cartilage Earring: Jewelry, Amazon.com, https://www.amazon.com/Marquise-Earrings-Sterling-Minimalist-Cartilage/dp/B08BCQ8PMG/ref=sr_1_18?dchild=1&keywords=marquise%2Bstud%2Bbearings&qid=1603376238&sr=8-18&th=1 downloaded from Internet Nov. 2020 (1 page).
- Marquise Dangle Stud Gold Earring, Adina's Jewels <https://adinasjewels.com/products/marquise-dangle-stud-earring> downloaded from Internet Nov. 2020 (1 page).
- Marquise Diamond Simple In Style Earrings Jewelry S925 Sterling Silver—Alibaba.com, https://www.alibaba.com/product-detail/S925-sterling-silver-marquise-diamond-simple_1600118221984.html?spm=a2700.galleryofferlist.normal_offer.d_title.798a14a2tpXmMR downloaded from Internet Nov. 2020 (1 page).
- Marquise Shape Diamond Stud Earring, SGL Certified 0.64 Ct Diamond Flower Earring, Body Jewellery, Petal Cartilage Earring, Helix Piercing, 18K Yellow Gold Flat Screw on Back 7mm: Jewelry, Amazon.com, https://www.amazon.com/Marquise-Certified-Jewellery-Cartilage-Piercing/dp/B08JX7S7V2/ref=sr_1_96?dchild=1&keywords=marquise+stud+earrings&qid=1603376238&sr=8-96 downloaded from Internet Nov. 2020 (1 page).
- Marquise turquoise studs, 925 earrings, gold stud earrings, Etsy, https://www.etsy.com/listing/832205081/925-earrings-marquise-turquoise-studs?ga_order=most_relevant&ga_search_type=all&ga_view_type=gallery&ga_search_query=marquise+studs&ref=sr_gallery-2-3&pro=1 downloaded from Internet Nov. 2020 (1 page).
- Minimalist Marquise CZ Flower Shaped Stud Earrings With Dangling Charm, Etsy, https://www.etsy.com/listing/740432826/minimalist-marquise-cz-flower-studs?ga_order=most_relevant&ga_search_type=all&ga_view_type=gallery&ga_search_query=marquise+studs&ref=sc_gallery-2-20&plkey=5824c downloaded from Internet Nov. 2020 (1 page).
- Minimalist Marquise CZ Flower studs Dainty earrings Cz gold, Etsy, https://www.etsy.com/listing/740432826/minimalist-marquise-cz-flower-studs?ga_order=most_relevant&ga_search_type=all&ga_view_type=gallery&ga_search_query=marquise+studs&ref=sc_gallery-2-20&plkey=5824c downloaded from Internet Nov. 2020 (1 page).
- Minimalist Marquise Tiny Cz Cubic Zirconia Stud Earrings Jewelry—Buy 925 Minimalist Marquise Cz Stud Earrings, 925 Silver Small Tiny Earrings Jewelry, Earrings For Women Product, Alibaba.com, https://www.alibaba.com/product-detail/2020-NEW-925-Sterling-Silver-minimalist_1600125651312.html?spm=a2700.galleryofferlist.normal_offer.d_image.798a14a2tpXmMR downloaded from Internet Nov. 2020 (1 page).
- Moet, Mercury Mist Threadless End, Buddha Jewelry Organics, <https://www.buddhajewelryorganics.com> downloaded from Internet Nov. 2020 (1 page).
- Rhinestone Fringe Hoop Earrings 1 pair, Shein USA, <https://us.shein.com/Rhinestone-Fringe-Hoop-Earrings-1pair-p-621973-cat-1757.html> downloaded from Internet Nov. 2020 (1 page).
- Rustic Diamond Marquise Three Leaf Earrings, TWISTonline, <https://www.twistonline.com/collections/dangles/products/rustic-diamond-marquise-three-leaf-earrings> downloaded from Internet Nov. 2020 (1 page).
- Sequito Elegant Costume Jewelry Pave Purple CZ with Light Green Water Drop Tassel Drop Hoop Earrings for Women Boho Round Earing SE-190, Lazada PH, <https://www.lazada.com-ph/products/sequito-elegant-costume-jewelry-pave-purple-cz-diamond-with-light-green-water-drop-tassel-drop-hoop-earrings-for-women-boho-round-earring-se-190-1925580578.html> downloaded from Internet Nov. 2020 (1 page).
- Single Half Pair 18k Gold Genuine Diamond Lotus Flower, Etsy, https://www.etsy.com/listing/836784442/new-single-half-pair-18k-gold-genuine?ga_order=most_relevant&ga_search_type=all&ga_view_type=gallery&ga_search_query=MARIA+TASH&ref=sr_gallery-2-14&organic_search_click=1&pro=1&frs=1 downloaded from Internet Nov. 2020 (1 page).
- Sparkly Marquise Dangle Cubic Zircon Chain Stud Gold Plated Earrings Jewelry 925 Sterling Silver—Alibaba.com, https://www.alibaba.com/product-detail/Gold-Plated-Earrings-Jewelry-925-Sterling_62451516048.html?spm=a2700.galleryofferlist.normal_offer.d_title.798a14a2tpXmMR downloaded from Internet Nov. 2020 (1 page).
- Sparkly Marquise Dangle Stud Earrings, J&CO Jewellery, <https://www.jcojewellery.com/collections/nature/products/sparkly-marquise-dangle-stud-earrings> downloaded from Internet Nov. 2020 (1 page).

Triple Marquise CZ Leaf Helix earring Conch Earring, Etsy, https://www.etsy.com/listing/750423781/triple-marquise-cz-leaf-helix-earring?ga_order=most_relevant&ga_search_type=all&ga_view_type=gallery&ga_search_query=triple+marquise+stud&ref=sr_gallery-1-5&col= downloaded from Internet Nov. 2020 (1 page).

Umba Sapphire Baby Teardrop Fringe Hoops(18k), TalismanUnlimited.com, <https://www.talismanunlimited.com/products/umba-sapphire-baby-teardrop-fringe-hoops> downloaded from Internet Nov. 2020 (1 page).

Yeslady Tassel Hoop Earrings, Small CZ Rhinestone Dangle Earrings at Amazon.in, <https://www.amazon.in/YESLADY-Tassel-Earrings-Rhinestone-Dangle/dp/B07QZQ14RF> downloaded from Internet Nov. 2020 (1 page).

* cited by examiner

Primary Examiner — Melanie Pellegrini
(74) *Attorney, Agent, or Firm* — Dentons US LLP

(57) **CLAIM**

An ornamental design for an earring, as shown and described.

DESCRIPTION

FIG. 1 is a front perspective view of a first embodiment of an earring;

FIG. 2 is a left side view of the earring;

FIG. 3 is a right side view of the earring;

FIG. 4 is a back side view of the earring;

FIG. 5 is a front side view of the earring;

FIG. 6 is a bottom side view of the earring; and

FIG. 7 is a top side view of the earring.

FIG. 8 is a front perspective view of a second embodiment of an earring;

FIG. 9 is a left side view of the earring;

FIG. 10 is a right side view of the earring;

FIG. 11 is a back side view of the earring;

FIG. 12 is a front side view of the earring;

FIG. 13 is a bottom side view of the earring; and,

FIG. 14 is a top side view of the earring.

Broken lines shown in drawings illustrate portions of the earring that form no part of claimed design.

1 Claim, 14 Drawing Sheets

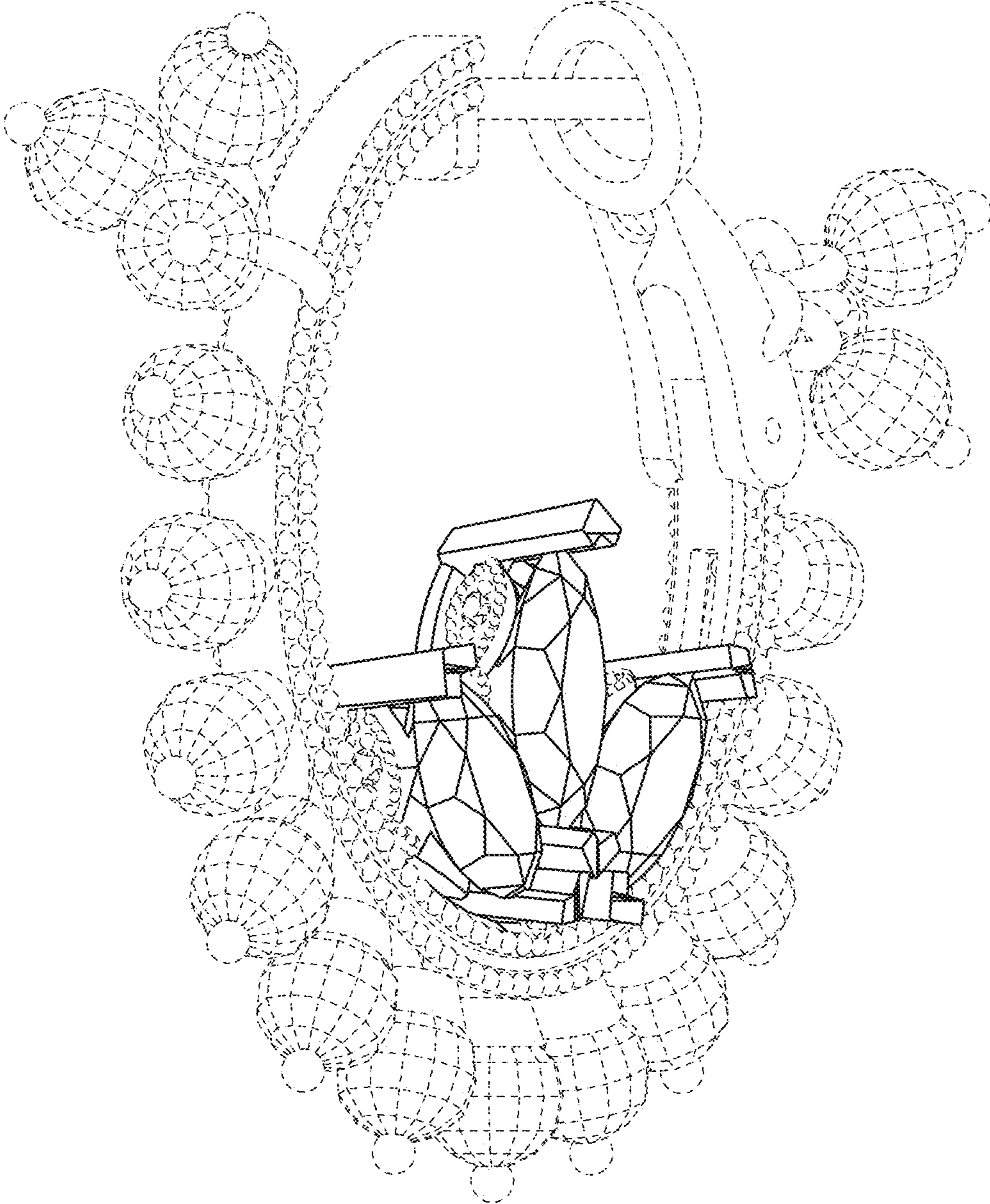


FIG. 1

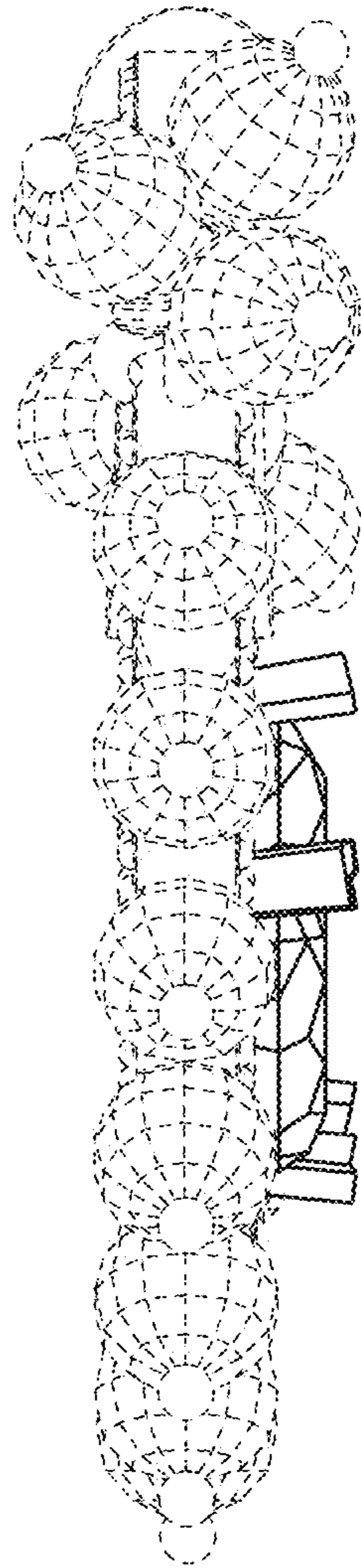


FIG. 2

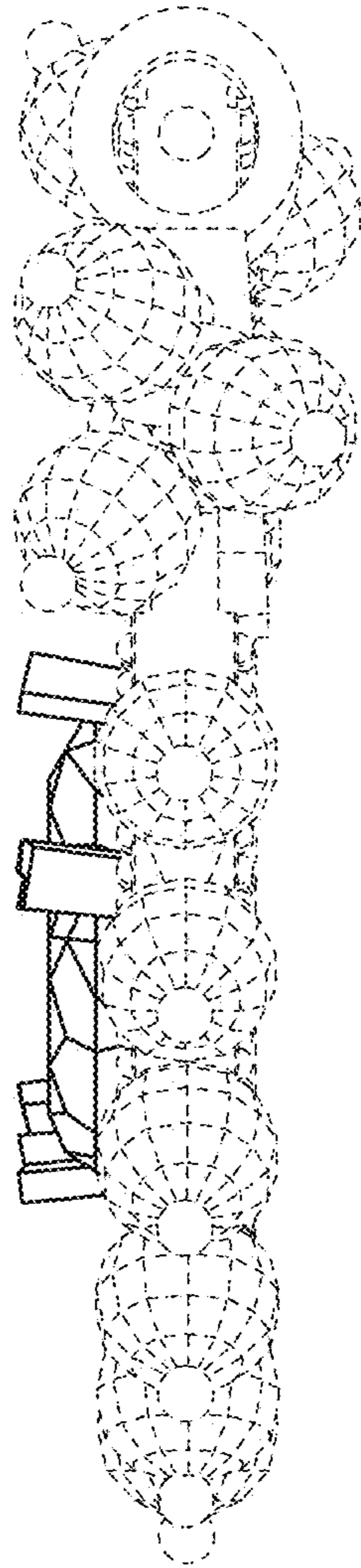


FIG. 3

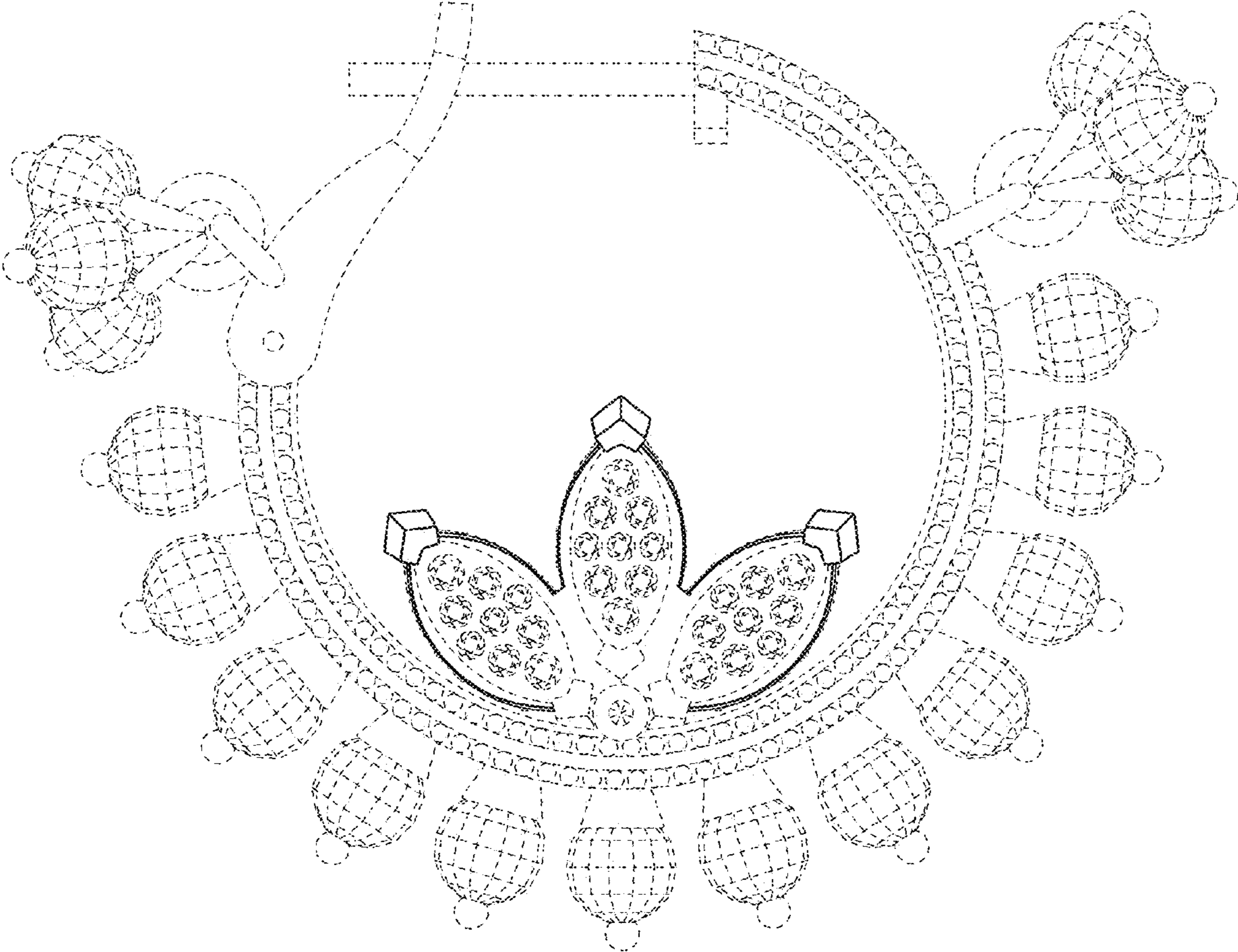


FIG. 4

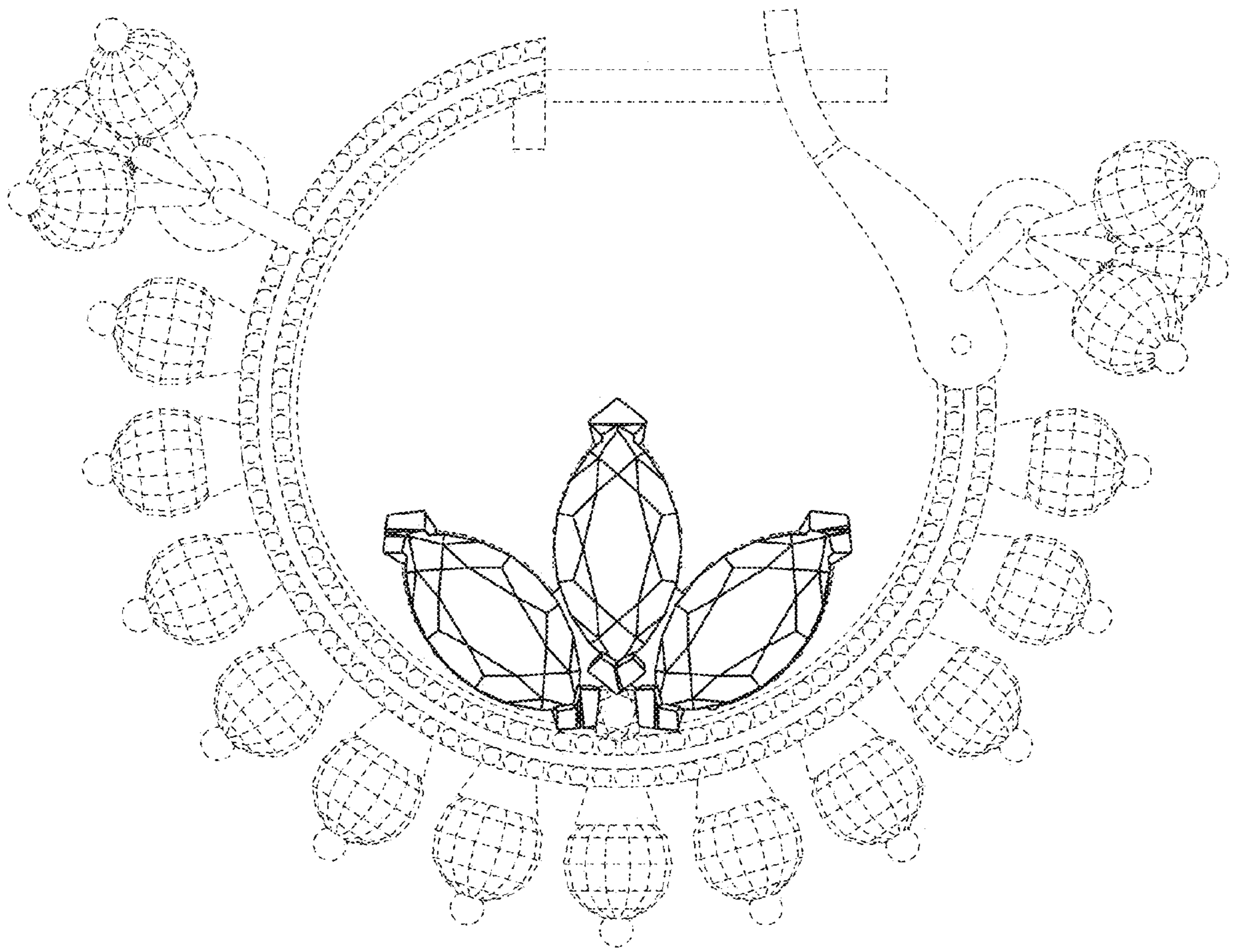


FIG. 5

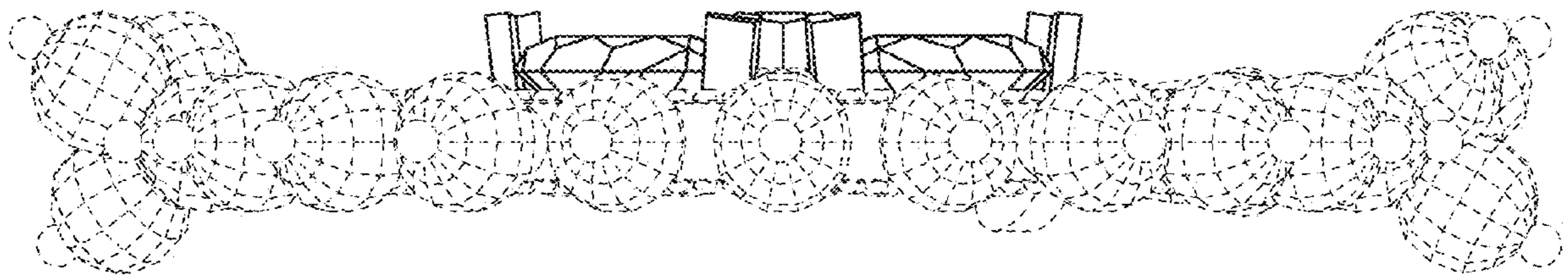


FIG. 6

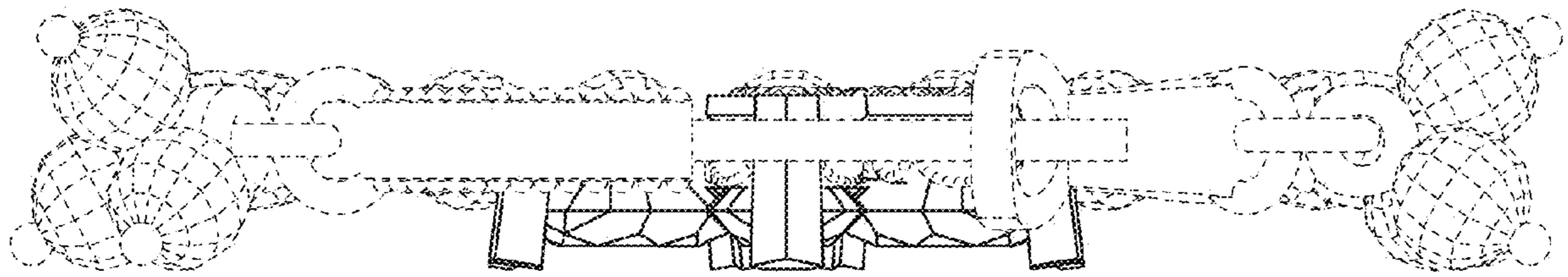


FIG. 7

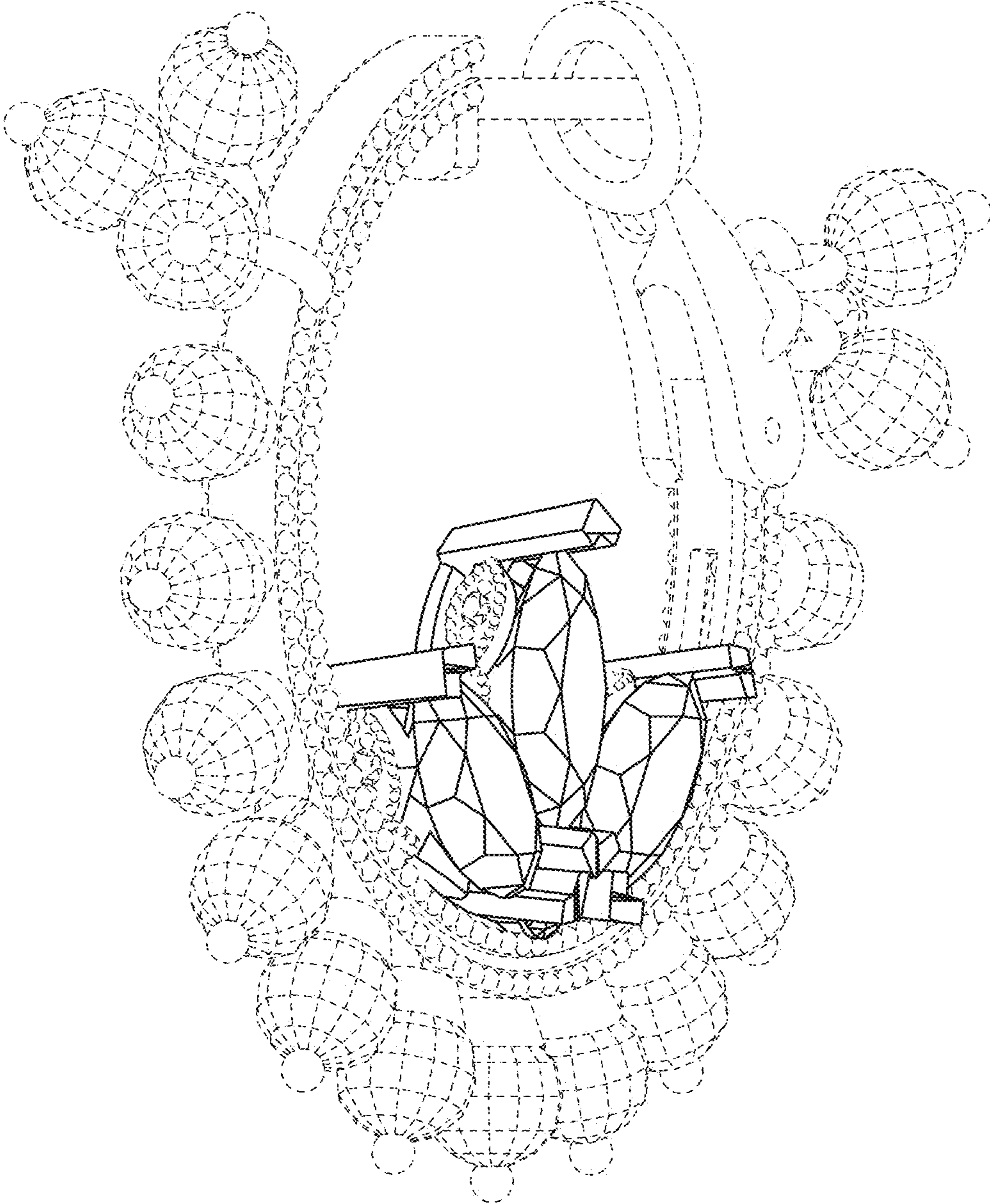


FIG. 8

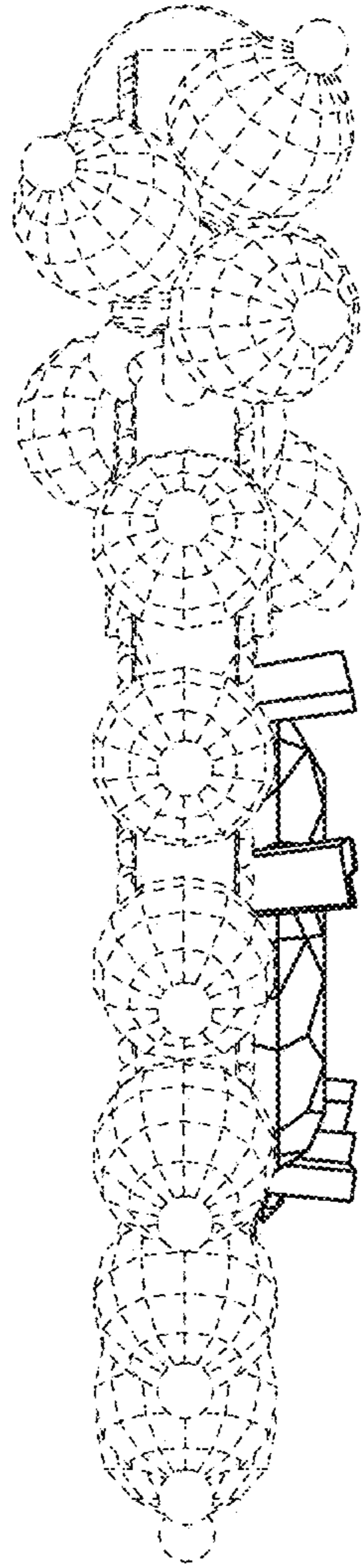


FIG. 9

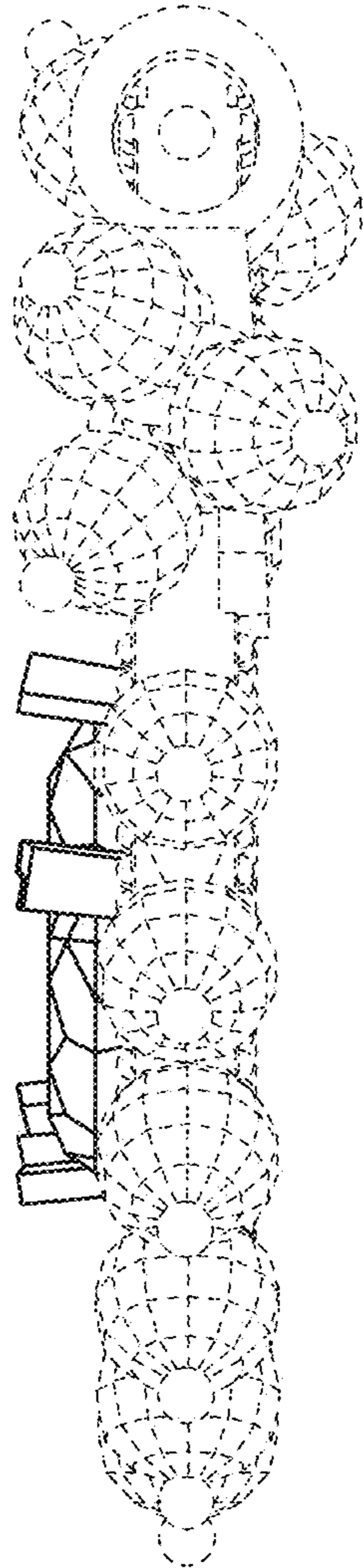


FIG. 10

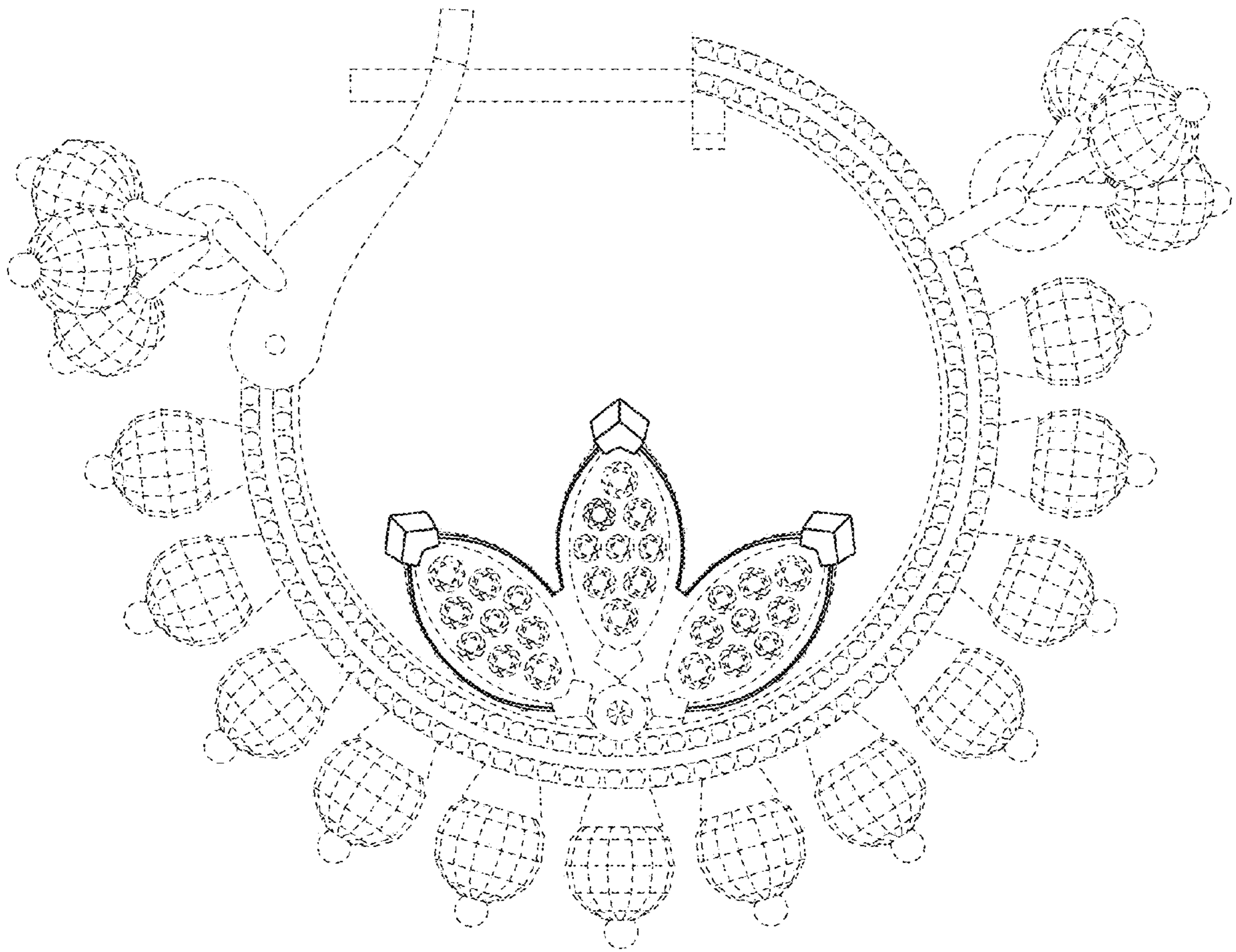


FIG. 11

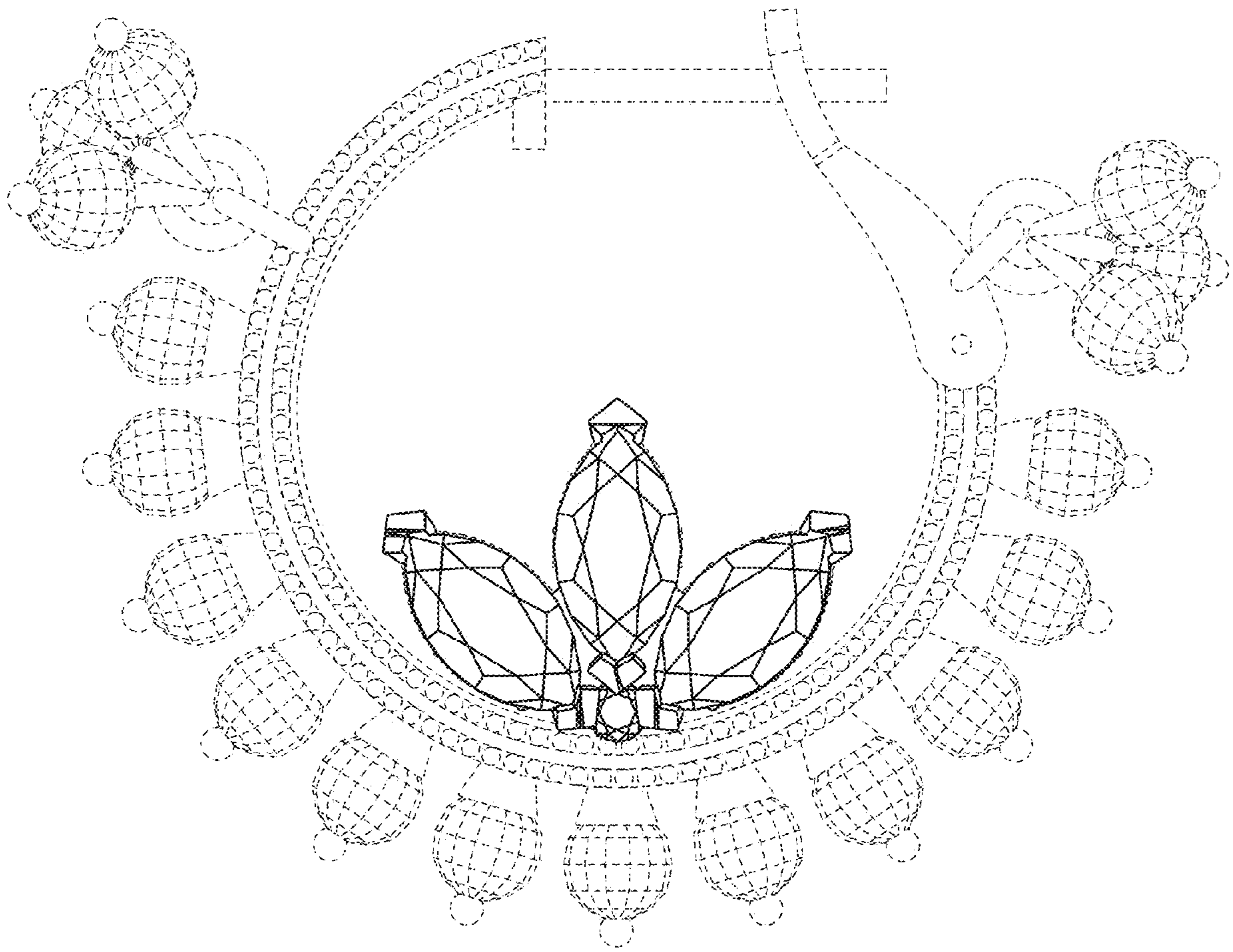


FIG. 12

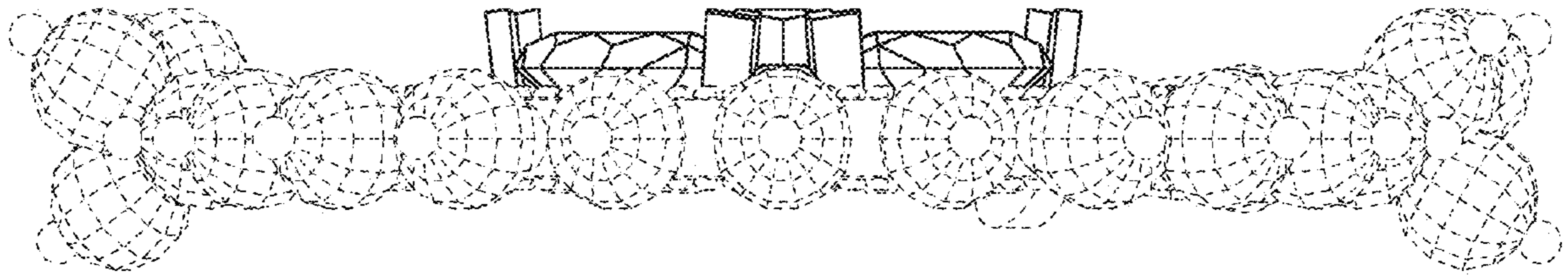


FIG. 13

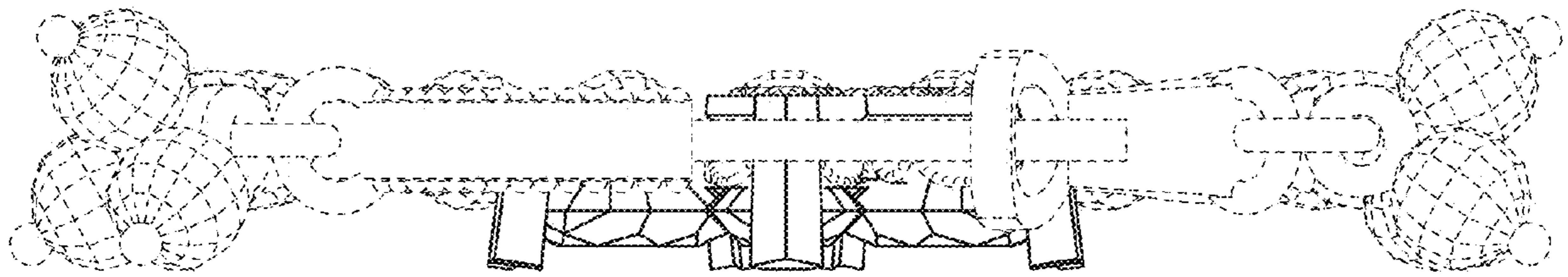


FIG. 14