



US00D960745S

(12) **United States Design Patent** (10) **Patent No.:** **US D960,745 S**
Akana et al. (45) **Date of Patent:** **** Aug. 16, 2022**

(54) **BAND**

(71) Applicant: **Apple Inc.**, Cupertino, CA (US)

(72) Inventors: **Jody Akana**, San Francisco, CA (US); **Molly Anderson**, San Francisco, CA (US); **Bartley K. Andre**, Palo Alto, CA (US); **Shota Aoyagi**, San Francisco, CA (US); **Anthony Michael Ashcroft**, San Francisco, CA (US); **Jeremy Bataillou**, San Francisco, CA (US); **Daniel J. Coster**, San Francisco, CA (US); **Daniele De Iuliis**, San Francisco, CA (US); **M. Evans Hankey**, San Francisco, CA (US); **Julian Hoenig**, San Francisco, CA (US); **Richard P. Howarth**, San Francisco, CA (US); **Jonathan P. Ive**, San Francisco, CA (US); **Duncan Robert Kerr**, San Francisco, CA (US); **Marc A. Newson**, London (GB); **Matthew Dean Rohrbach**, San Francisco, CA (US); **Peter Russell-Clarke**, San Francisco, CA (US); **Benjamin Andrew Shaffer**, San Jose, CA (US); **Mikael Silvano**, San Francisco, CA (US); **Christopher J. Stringer**, Woodside, CA (US); **Eugene Antony Whang**, San Francisco, CA (US); **Rico Zörkendörfer**, San Francisco, CA (US)

(73) Assignee: **Apple Inc.**, Cupertino, CA (US)

(**) Term: **15 Years**

(21) Appl. No.: **29/708,942**

(22) Filed: **Oct. 10, 2019**

Related U.S. Application Data

(63) Continuation of application No. 29/614,587, filed on Aug. 21, 2017, now Pat. No. Des. 863,094, which is a continuation of application No. 29/557,217, filed on Mar. 7, 2016, now Pat. No. Des. 795,121.

(51) **LOC (13) Cl.** 11-01

(52) **U.S. Cl.**
USPC **D11/3**

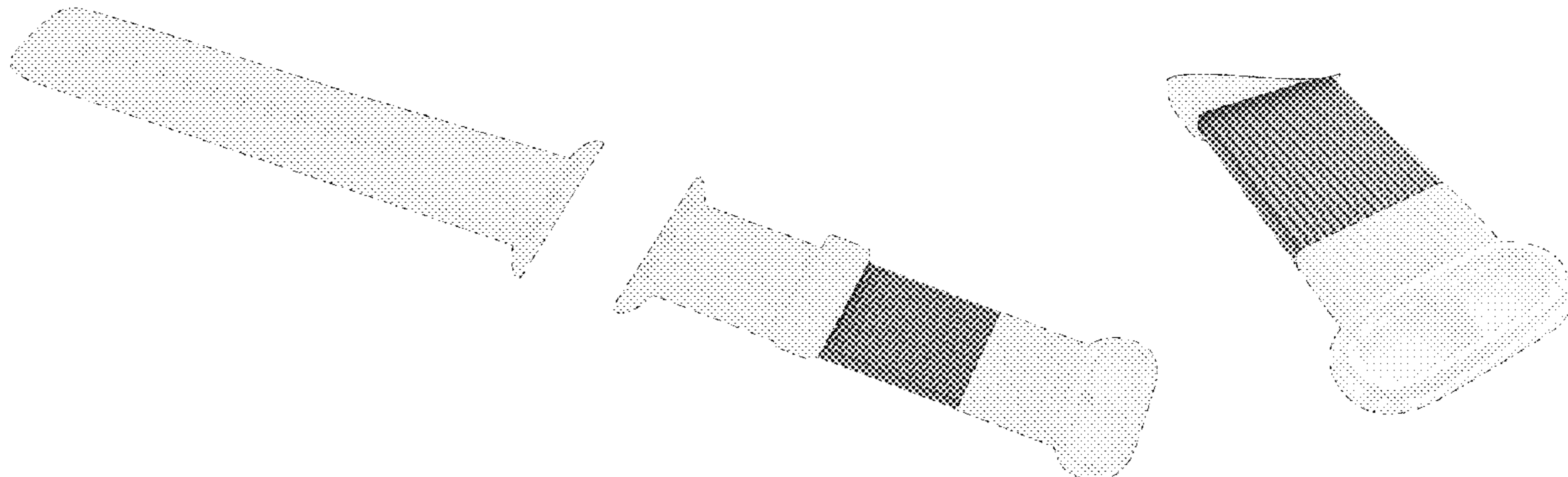
(58) **Field of Classification Search**
USPC D10/31, 32, 38, 39, 46, 70; D11/1-25, D11/86, 87; D14/344
CPC A44C 5/12; A44C 5/14; A44C 5/18; A44C 5/0053; A44C 5/0069; A44C 5/0076; A44C 5/00; A44C 5/0007; A44C 5/0015; A44C 5/0023; A44C 5/003; A44C 5/0061; A44C 5/147; A44C 5/185; A44C 5/2047; A44C 5/2052; G04B 37/00; G04B 37/1486; A44B 11/006; A44B 11/24

See application file for complete search history.

(56) **References Cited**

U.S. PATENT DOCUMENTS

137,989 A	4/1873	Whitney, Jr.
D47,833 S	9/1915	Slayter
1,725,786 A	8/1929	Eklund
D80,307 S	1/1930	Conant
1,807,440 A	5/1931	Schraysshuen et al.
2,266,953 A	12/1941	Blue et al.
2,280,490 A	4/1942	Keltie
2,397,797 A	4/1946	Curto
2,451,750 A	10/1948	Kreisler et al.
D181,889 S	1/1958	Taylor
D184,937 S	4/1959	Howell
3,030,686 A	4/1962	Burkhardt
3,203,067 A	8/1965	Elsner
3,204,314 A	9/1965	Sokoloff
3,346,930 A	10/1967	Browning
3,394,438 A	7/1968	Nelson
3,609,963 A	10/1971	Minoru
3,640,065 A	2/1972	Lederrey et al.
3,665,565 A	5/1972	Kruger
3,675,284 A	7/1972	Rieth
3,999,251 A	12/1976	Payant
D270,430 S	9/1983	Fukuoka
D287,471 S	12/1986	Sato et al.
4,627,231 A	12/1986	Kiuchi
D303,635 S	9/1989	Kurzina et al.
D305,743 S	1/1990	Hirsch
D317,413 S	6/1991	Veronesi
D320,356 S	10/1991	Boyer et al.
D323,783 S	2/1992	Margaritelli
D331,020 S	11/1992	Ishii et al.



US D960,745 S

5,201,789 A	4/1993	Fontana	D724,176 S	3/2015	Maestas
5,265,009 A	11/1993	Colavita	D724,469 S	3/2015	Akana et al.
D343,584 S	1/1994	Olmes et al.	D726,056 S	4/2015	Riddiford et al.
D344,038 S	2/1994	Phillips et al.	D727,183 S	4/2015	Park et al.
D350,351 S	9/1994	Nakamura	D727,197 S	4/2015	Akana et al.
5,363,351 A	11/1994	Carney	D727,198 S	4/2015	Akana et al.
5,386,933 A	2/1995	Greene et al.	D727,199 S	4/2015	Akana et al.
5,574,701 A	11/1996	Harilela	D727,759 S	4/2015	Martinez et al.
5,589,376 A	12/1996	Anderson et al.	D727,787 S	4/2015	Akana et al.
D377,613 S	1/1997	Consolo	D728,624 S	5/2015	Akana et al.
D377,914 S	2/1997	Riley	D729,670 S	5/2015	Nuovo et al.
D379,327 S	5/1997	Navera	D730,209 S	5/2015	Wolos et al.
D379,775 S	6/1997	Gazzola	D731,346 S	6/2015	Akana et al.
D379,940 S	6/1997	Riley	D732,022 S	6/2015	Song
D382,819 S	8/1997	Shapiro et al.	9,060,683 B2	6/2015	Tran
D383,985 S	9/1997	Davenport	D734,330 S	7/2015	Huang et al.
D386,980 S	12/1997	Houlihan	D737,156 S	8/2015	Akana et al.
D394,402 S	5/1998	Riley et al.	D737,157 S	8/2015	Akana et al.
5,886,669 A	3/1999	Kita	D737,158 S	8/2015	Akana et al.
D409,504 S	5/1999	Collier	D737,159 S	8/2015	Akana et al.
D438,812 S	3/2001	Bert	D738,971 S	9/2015	Riddiford et al.
D439,172 S	3/2001	Brzezinski	D739,780 S	9/2015	Akana et al.
D440,901 S	4/2001	Bruce et al.	D741,726 S	10/2015	Akana et al.
6,219,303 B1	4/2001	Morohoshi et al.	9,155,168 B2	10/2015	Araujo et al.
D441,680 S	5/2001	Bruce et al.	9,171,434 B2	10/2015	Faaborg et al.
6,238,083 B1	5/2001	Hirano et al.	D744,356 S	12/2015	Akana et al.
D455,662 S	4/2002	Johnston et al.	D745,421 S	12/2015	Akana et al.
D461,726 S	8/2002	Jamin	D745,515 S	12/2015	Solomon et al.
6,450,345 B1	9/2002	Adams et al.	D746,707 S	1/2016	Akana et al.
D473,818 S	4/2003	Salvisberg	D748,008 S	1/2016	Akana et al.
6,655,831 B1	12/2003	Ruffieux	D748,009 S	1/2016	Akana et al.
D494,098 S	8/2004	Cohen	D748,010 S	1/2016	Akana et al.
D496,589 S	9/2004	Perrenoud	D748,527 S	2/2016	Akana et al.
6,801,476 B2	10/2004	Gilmour	D749,009 S	2/2016	Akana et al.
6,970,157 B2	11/2005	Siddeeq	D749,460 S	2/2016	Akana et al.
D513,195 S	12/2005	Gruosi	D750,524 S	3/2016	Akana et al.
7,004,469 B2	2/2006	Von Goeben	D750,525 S	3/2016	Akana et al.
D528,439 S	9/2006	Burton	D751,070 S	3/2016	Akana et al.
D528,928 S	9/2006	Burton	D751,550 S	3/2016	Solomon et al.
7,106,197 B2	9/2006	Gaiotto et al.	D752,044 S	3/2016	Akana et al.
D535,205 S	1/2007	Frederick et al.	D753,008 S	4/2016	Akana et al.
7,275,667 B2	10/2007	Bertucci	D755,070 S	5/2016	Akana et al.
D557,903 S	12/2007	Harkenrider	D756,357 S	5/2016	Akana et al.
D558,227 S	12/2007	Cho et al.	D756,824 S	5/2016	Akana et al.
D564,904 S	3/2008	Leung	D757,722 S	5/2016	Akana et al.
D566,972 S	4/2008	Harkenrider	D758,363 S	6/2016	Akana et al.
D572,266 S	7/2008	Anderson et al.	D759,011 S	6/2016	Akana et al.
D574,735 S	8/2008	Landman et al.	D759,725 S	6/2016	Akana et al.
D578,922 S	10/2008	Hoshino	D760,395 S	6/2016	Barbaric et al.
D584,170 S	1/2009	Morrison	D764,340 S	8/2016	Akana et al.
D586,823 S	2/2009	Anderson et al.	D764,341 S	8/2016	Akana et al.
D589,372 S *	3/2009	Miloradovic	D764,967 S	8/2016	Akana et al.
D589,375 S	3/2009	Tang	D766,115 S	9/2016	Ma
D596,610 S	7/2009	Hou	D766,752 S	9/2016	Akana et al.
D599,680 S	9/2009	Schoepfer	D768,025 S	10/2016	Akana et al.
D606,889 S	12/2009	Nusbaumer	D768,030 S	10/2016	Akana et al.
D612,748 S	3/2010	Jorst et al.	D768,623 S	10/2016	Zou et al.
D616,417 S	5/2010	Liao	D768,634 S	10/2016	Akana et al.
7,708,457 B2	5/2010	Girardin et al.	D769,869 S	10/2016	Zhou et al.
D622,164 S	8/2010	Mikkelsen	D771,035 S	11/2016	Akana et al.
D631,373 S	1/2011	Mikkelsen	D771,036 S	11/2016	Akana et al.
D637,094 S	5/2011	Cobbett et al.	D777,163 S	1/2017	Akana et al.
D637,918 S	5/2011	Cobbett et al.	D777,590 S	1/2017	Nielsen et al.
D643,772 S	8/2011	Mikkelsen	D778,912 S	2/2017	Akana et al.
D650,706 S	12/2011	Zanella et al.	D781,171 S	3/2017	Akana et al.
D666,503 S	9/2012	Bulgari	D781,853 S	3/2017	Akana et al.
D674,488 S	1/2013	McKay et al.	D784,831 S	4/2017	Akana et al.
D681,483 S	5/2013	Biegert et al.	D786,127 S	5/2017	Akana et al.
8,490,436 B2	7/2013	Chung et al.	D789,822 S	6/2017	Akana et al.
8,601,784 B2	12/2013	Kaltenrieder	D790,374 S	6/2017	Lean et al.
8,613,544 B2	12/2013	Kitahara et al.	D795,121 S	8/2017	Akana et al.
D699,701 S	2/2014	Kim	9,745,676 B2	8/2017	Hatanaka et al.
8,647,268 B2	2/2014	Tran	D806,071 S	12/2017	Akana et al.
8,766,805 B2	7/2014	Alameh et al.	D812,052 S	3/2018	Akana et al.
D715,674 S	10/2014	Squires	D813,076 S	3/2018	Akana et al.
D719,123 S	12/2014	Park et al.	9,938,646 B2	4/2018	Hamada et al.
D719,467 S	12/2014	Bradbury	D822,529 S	7/2018	Akana et al.
D720,249 S	12/2014	Park et al.	D826,406 S	8/2018	Paschke et al.
8,960,510 B2	2/2015	Bertucci	D828,835 S	9/2018	Akana et al.

D829,123	S	9/2018	Nielsen et al.
D837,082	S	1/2019	Akana et al.
D837,674	S	1/2019	Akana et al.
D838,619	S	1/2019	Akana et al.
D842,855	S	3/2019	Akana et al.
D843,875	S	3/2019	Akana et al.
D853,862	S *	7/2019	Koskinen D10/32
D854,961	S *	7/2019	Akana D11/3
D863,094	S	10/2019	Akana et al.
D871,953	S *	1/2020	Park D11/3
D883,977	S *	5/2020	Akana D14/344
D885,958	S *	6/2020	Akana D10/32
D885,959	S *	6/2020	Akana D11/3
D934,715	S *	11/2021	Akana D11/3
D939,969	S *	1/2022	Johansen D10/32
D939,970	S *	1/2022	Johansen D10/32
D939,971	S *	1/2022	Johansen D10/32
2001/0017663	A1	8/2001	Yamaguchi et al.
2002/0051075	A1	5/2002	Yamaguchi et al.
2007/0070823	A1	3/2007	Sima
2009/0056084	A1	3/2009	Chang
2010/0061191	A1	3/2010	Chen
2011/0197400	A1	8/2011	Chevrolet
2014/0096345	A1	4/2014	Tschumi
2014/0098649	A1	4/2014	Tschumi
2017/0046451	A1	2/2017	Akana et al.
2017/0265607	A1	9/2017	Hatanaka et al.
2018/0138430	A1	5/2018	Chu et al.

FOREIGN PATENT DOCUMENTS

CH	713641	A2	9/2018
DE	19513647	A1	10/1995
DE	10229050	C1	6/2003
EM	004695294-0001		2/2018
EM	004695294-0002		2/2018
EM	004731131-0029		3/2018
EM	005250941-0001		5/2018
EM	005251469-0001		5/2018
EM	005251493-0001		5/2018
EM	005251519-0001		5/2018
EM	005251527-0001		5/2018
EM	005251543-0001		5/2018
EP	1098231	A1	5/2001
EP	001109706-0025		5/2009
EP	2636328	A1	9/2013
ES	001359301-0002		6/2013
GB	618917	A	3/1949
GB	1056574		8/1989
GB	2047767		9/1995
GB	2049316		12/1995
GB	2082277		6/1999
HK	0501949.8		12/2005
HK	1001605.7		12/2010
JP	D1126907		11/2001
JP	D1337795		8/2008
JP	D1423962		9/2011
JP	D1433115		2/2012
JP	D1448029		8/2012
JP	D1462747		2/2013
JP	6311216	B2	4/2018
WO	WO-DM/012262-001		1/1989
WO	WO-DM/049450-002		12/1999
WO	WO-DM/066491-004		3/2005
WO	WO-DM072215		9/2009
WO	WO-DM/077452-004		6/2011
WO	WO-DM/079044-003		9/2012
WO	WO-2013182397	A1	12/2013
WO	WO-2014135709	A2	9/2014
WO	WO-D098234-001		4/2018

OTHER PUBLICATIONS

“Field Ops Watch Band Kit”< <http://www.511tactical.com/field-ops-watch-band-kit.html>>, accessed Nov. 25, 2014.
 “Timex Men’s Q7B808 Ironman Triathlon 30-Lap Resin 16mm Replacement Watchband”<[http://www.amazon.com/Timex-Ironman-Triathlon-Replacement-Watchband/dp/B003OPZ5D0/ref=sr_1_1?s=](http://www.amazon.com/Timex-Ironman-Triathlon-Replacement-Watchband/dp/B003OPZ5D0/ref=sr_1_1?s=apparel&ie=UTF8&qid=1416701895&sr=1-1&keywords=Timex+Men%27s+Q7B808+Ironman+Triathlon+30-Lap+Resin+16mm+Replacement+Watchband)

apparel&ie=UTF8&qid=1416701895&sr=1-1&keywords=Timex+Men%27s+Q7B808+Ironman+Triathlon+30-Lap+Resin+16mm+Replacement+Watchband>, accessed Nov. 25, 2014.
 [Online] http://a.abcnews.com/images/Business/HT_gold_apple_iwatch_jef_140909_4x3_992.jpg, Retrieved on Feb. 4, 2015, 1 page.
 All your Apple Watch bands will fit the new Series 4 models; Date: Sep. 12, 2018 (dated by WayBack Machine), Retrieved from the Internet: (URL: <https://www.idownloadblog.com/2018/09/12/all-apple-watch-bands-fit-series-4/>).
 Alvarez, Edgar, “Basis Peak to get its smartwatch-like features in December,” [engadget.com](http://www.engadget.com/2014/11/20/basis-peak-new-features/),<<http://www.engadget.com/2014/11/20/basis-peak-new-features/>>, dated Nov. 20, 2014, accessed Dec. 15, 2014.
 Apple’s new Woven Nylon band (available online Mar. 23, 2016) Retrieved from the internet Feb. 24, 2016, retrieved from the internet URL: <https://9to5mac.com/2016/03/23/hands-on-apples-new-woven-nylon-band-fo-APPLE-watch-gallery>.
 Cool Material, “Braun Square Digital Watch,”<<http://web.archive.org/web/20111125033014/http://coolmaterial.com/style/braun-square-digital-watch/>>, dated Nov. 25, 2011, accessed Dec. 18, 2014.
 Emily, “Nixon—The Newton Digital,”< <http://www.freshnessmag.com/2009/09/08/nixon-the-newton-digital/>>, freshnessmag.com, dated Sep. 8, 2009, accessed Oct. 9, 2014.
 etsy.com, “1 Set Silver End Cap Clasp—Findings Large Toggle Clasp End Caps Buckle Connector with Five Inside Loops for Jewelry Making 26mm,”< <http://www.etsy.com/listing/101269004/1-set-silver-end-cap-clasp-findings?ref=market>>, Listed on Aug. 29, 2014, accessed Oct. 9, 2014.
 Fitbit, “Fitbit Surge™ Fitness Super Watch”< <https://www.fitbit.com/surge>>, accessed Dec. 15, 2014.
 Free Silicone Band, Inteny Apple Watch Band Series 1 Series 2 Colorful Pattern Woven Nylon Band Replacement Wrist Bracelet Strap Buckle for iWatch, 38mm, Toasted Coffee & Caramel, posted unknown, [retrieved Oct. 27, 2016]. Retrieved from Internet, < URL: <https://www.amazon.com/dp/B01LXBIO6M?psc=1>>.
 geekbuying.com, “Makibes unisex red led digital wrist watch with square case silicone watchband—white,”< <http://www.geekbuying.com/item/Unisex-Red-LED-Digital-Wrist-Watch-with-Square-Case-Silicone-Watchband---White-326443.html>>, accessed Oct. 9, 2014.
 Google’s upcoming smartwatch is an Android project not X Lab, posted Mar. 22, 2013, [retrieved Jul. 22, 2016]. Retrieved from Internet,<URL: <http://www.talkandroid.com/155456-google-upcoming-smartwatch-is-an-android-project-not-x-lab/>>.
 Hiemstra, Graham, “Worn & Wound Model 1 Horween Watch Strap,”<<http://www.coolhunting.com/style/worn-wound-model-1-horween-watch-strap>>, dated Aug. 27, 2013, accessed Nov. 25, 2014.
 Hilbourne, Jason, “Wide Body: straps for Pebble,”<<https://www.kickstarter.com/projects/1171859847/wide-body-straps-for-pebble>>, Listed Apr. 2, 2013, accessed Nov. 25, 2014.
 Hodinkee.com, “Apple iPod Nano Now Available With Mickey Mouse Dial, Also Cheesy, Mechanically Inaccurate Open-Worked Dial,”<<http://web.archive.org/web/20111006043916/http://www.hodinkee.com/blog/2011/10/5/apple-ipod-nano-now-available-with-mickey-mouse-dial-also-ch.html>>, dated Oct. 6, 2011, accessed Dec. 18, 2014.
 Home/smart watches/Apple/Watch Sport 38mm Alluminium Case Nylon Pink, posted Mar. 2015, [retrieved Jun. 20, 2017]. Retrieved from Internet, URL: <https://www.mobileshop.eu/smart-watches/apple/watch-sport-38mm-alluminium-case-nylon-pink/>.
 Homego, “M6 Silver Smart Watch Cell Phone 1.54 inch Bluetooth 3.0 Dialer Outdoor Sports Pedometer,” [amazon.com](http://www.amazon.com/Silver-Bluetooth-Dialer-Outdoor-Pedometer/dp/B00MQTBGK6),< <http://www.amazon.com/Silver-Bluetooth-Dialer-Outdoor-Pedometer/dp/B00MQTBGK6>>, accessed Dec. 15, 2014.
 Ikepod, “Original Ikepod Watch With GMT—Marc Newson Design,” [watchbox.be](http://www.watchbox.be/prod/Others-Watches/Marc%20Newson%20Design/item7165.htm#.VJLm2fAo5D8),<<http://www.watchbox.be/prod/Others-Watches/Marc%20Newson%20Design/item7165.htm#.VJLm2fAo5D8>>, accessed Dec. 17, 2014.
 LG Life’s Good, “LG G Watch (W100),”< <http://www.lg.com/us/smart-watches/lg-W100-g-watch>>, accessed Dec. 18, 2014.

Metawatch, "FRAME—Black (MW3005)," < <http://meta.watch/collections/smartwatch-all/products/frame-ss-black-leather>>, accessed Dec. 15, 2014.

Omate Smartwatch Launches on Kickstarter Offering a Wealth of Features, posted Aug. 22, 2013, [retrieved Jul. 22, 2016]. Retrieved from Internet, URL: <http://www.geeky-gadgets.com/omate-smartwatch-launches-on-kickstarter-offering-a-wealth-of-features-video-22-08-2013/>.

Omate, "Omate TrueSmart: Water-resistant standalone Smartwatch 2.0," < <http://www.kickstarter.com/projects/omate/omate-truesmart-water-resistant-standalone-smartwa>>, dated Aug. 21, 2013, accessed Oct. 8, 2014.

Pebble, "Pebble Smartwatch," [getpebble.com](http://getpebble.com/checkout), < <https://getpebble.com/checkout>>, accessed Dec. 15, 2014.

Samsung, "Galaxy Gear™ Live, Black SM-R3820ZKAXAR," < <http://www.samsung.com/us/mobile/wearable-tech/SM-R3820ZKAXAR>>, accessed Dec. 15, 2014.

Samsung, "Samsung Gear S™, (Sprint), Black SM-R750PZKASPR," < <http://www.samsung.com/us/mobile/wearable-tech/SM-R750PZKASPR>>, accessed Dec. 15, 2014.

Samsung, "Samsung Gear™ 2 Charcoal Black SM-R3800VSAXAR," < <http://www.samsung.com/us/mobile/wearable-tech/SM-R3800VSAXAR>>, accessed Dec. 15, 2014.

Sony, "SmartWatch 3 SWR50," < <http://www.sonymobile.com/us/products/smartwear/smartwatch-3-swr50/>>, accessed Dec. 15, 2014.

Sony, "SmartWatch," < <http://www.sonymobile.com/us/products/accessories/smartwatch/>>, accessed Dec. 15, 2014.

Stables, James, "Clevercare smartwatch aims to help Alzheimer's suffers and carers: Revamped Sony Smartwatch 2 designed for users that need care," Wearable News, < <http://www.wearable.com/wearable-tech/clevercare-smartwatch-aims-to-help-alzheimers-suffers-and-carers-585>>, dated Dec. 15, 2014.

Ted Baker, "Ted Baker Men's TE1054 Time Flies Contemporary Square Digital Case Watch," < <http://www.amazon.com/Ted-Baker-TE1054-Contemporary-Digital/dp/B0045CRTYO%3FSubscriptionId%3DIAJ3U4YRIBWCGGKZ2A%26tag%3Dfrases365-20%26linkCode%3Dsp1%26camp%3D2025%26creative%3D165953%26creativeASIN%3DB0045CRTYO>>, accessed Oct. 9, 2014.

The Alt Team, "Ziiiro Celeste Watch Hands-On", Dec. 12, 2012, (<http://www.gadgetmac.com/alt/ziiiro-celeste-watch-hands-on.html>), accessed Dec. 4, 2014.

The Best Third-party Apple Watch Bands, Dec. 21, 2016 (dated by WayBack Machine), Retrieved from Internet, (URL: <https://watchaware.com/best-apple-watch-bands>).

Top Brand Luxury Style Daniel Wellington Watches DW Watch for Men Nylon Strap Military Quartz Wristwatch Clock Reloj hombre 40mm, posted unknown, [retrieved Oct. 27, 2016]. Retrieved from Internet, URL: <http://www.dhgate.com/product/topbrand-luxury-style-daniel-wellington/239253633.html>.

Velazco, Chris, "ASUS ZenWatch review: subtle and stylish, with a few shortcomings," Engadget.com, < <http://www.engadget.com/2014/12/11/asus-zenwatch-review/>>, dated Dec. 11, 2014, accessed Dec. 15, 2014.

WatchCat Online Shopping Mall, "PJS Seiko," < http://m.watchcat.co.kr/board/product/read.html?board_no=4&no=27504>, dated Oct. 26, 2012, accessed Oct. 8, 2015.

WatchCat Online Shopping Mall, "PVD Zulu style Military Nylon band/strap," < http://www.watchcat.kr/product/detail.html?product_no=5162&cate_no=642&display_group=1>, dated 2010, accessed Oct. 8, 2015.

Watches Infoniac.com, "Hermes Carre H Watch—Extremely Contemporary Design," < <http://watches.infoniac.com/carre-h-watch-hermes.html>>, dated Aug. 13, 2010, accessed Dec. 18, 2014.

Watchismo, "Braun BN0042 Black Date Leather," < <http://web.archive.org/web/20130815073830/http://www.watchismo.com/braun-bn0042bkbk.aspx>>, dated Aug. 15, 2013, accessed Dec. 18, 2014.

Zulu Military Watch Strap 3D woven Nylon Armband | posted at tungchoywatch.com Jun. 2015 [online]. © 2019 Tungchoy, retrieved on [Apr. 1, 2019], Retrieved from Internet: (http://www.tungchoywatch.com/product_info.php/cPath/194_201/products_id/3665), (Year: 2015).

* cited by examiner

Primary Examiner — Richard Kearney

(74) *Attorney, Agent, or Firm* — Sterne, Kessler, Goldstein & Fox P.L.L.C.

(57)

CLAIM

The ornamental design for a band, as shown and described.

DESCRIPTION

FIG. 1 is a front perspective view of a band showing the claimed design;

FIG. 2 is a front view thereof;

FIG. 3 is a rear perspective view thereof;

FIG. 4 is a rear view thereof;

FIG. 5 is a front left side perspective view thereof;

FIG. 6 is a front right side perspective view thereof;

FIG. 7 is a rear left side perspective view thereof;

FIG. 8 is a rear right side perspective view thereof;

FIG. 9 is a bottom rear perspective view thereof;

FIG. 10 is a bottom front perspective view thereof;

FIG. 11 is a magnified portion of a top front perspective view thereof; and,

FIG. 12 is a magnified portion of a top rear perspective view thereof.

The dot-dash lines in the figures and the areas within the dot-dash lines show portions of the band that form no part of the claimed design.

The break lines in the figures and the areas within the break lines and dot-dash lines show portions of the band that form no part of the claimed design.

1 Claim, 5 Drawing Sheets

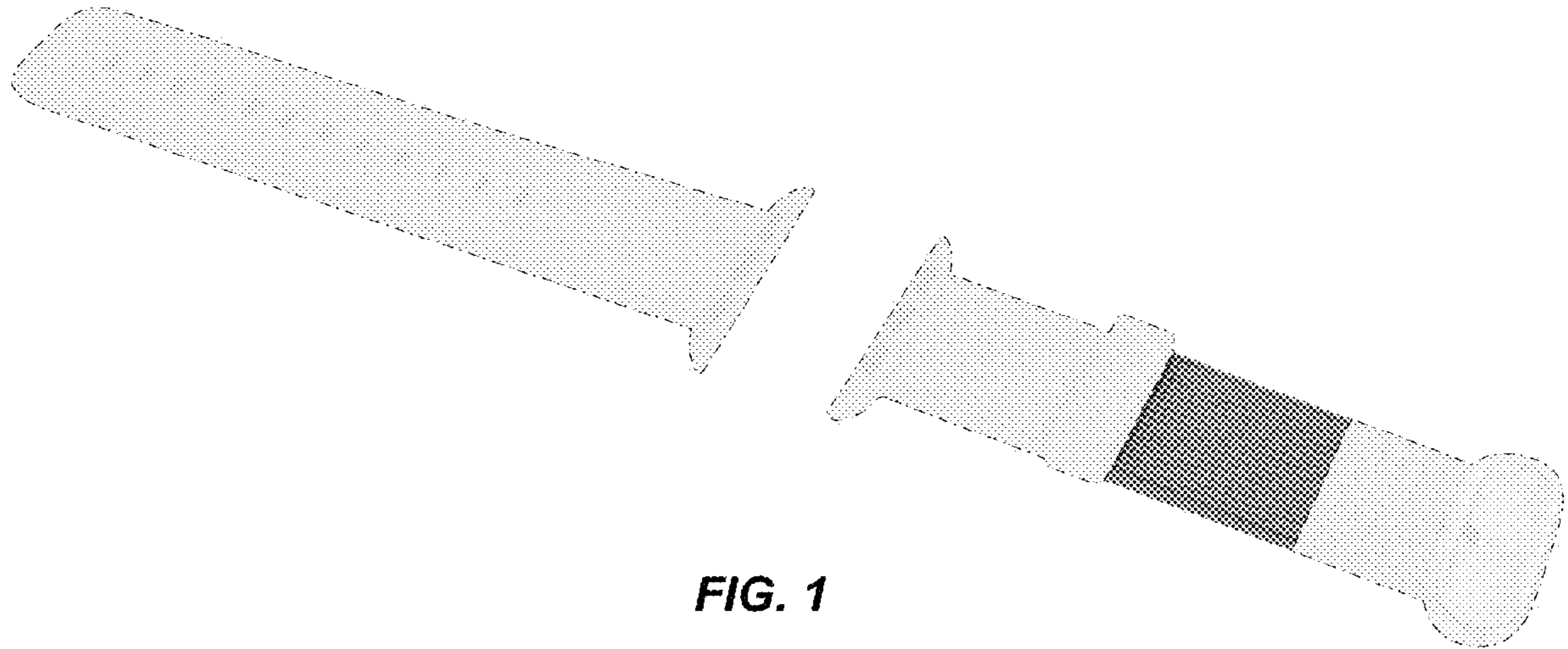


FIG. 1

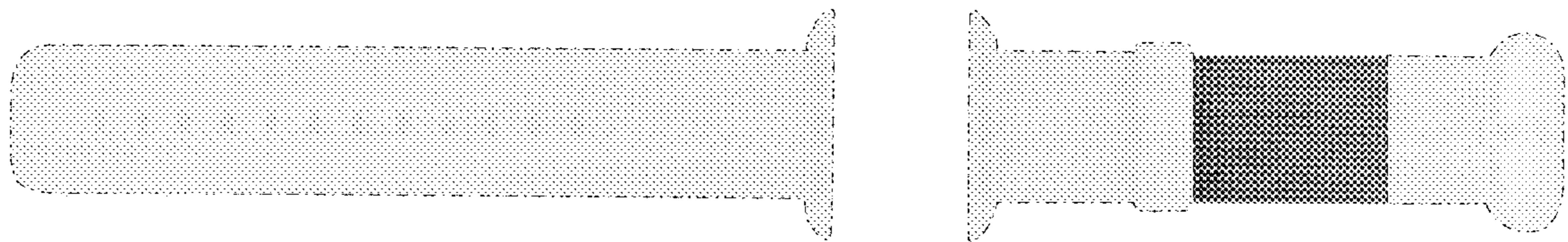
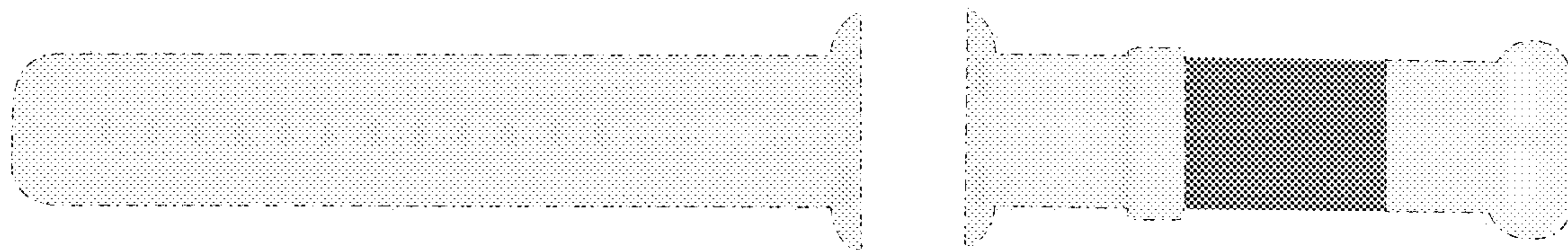
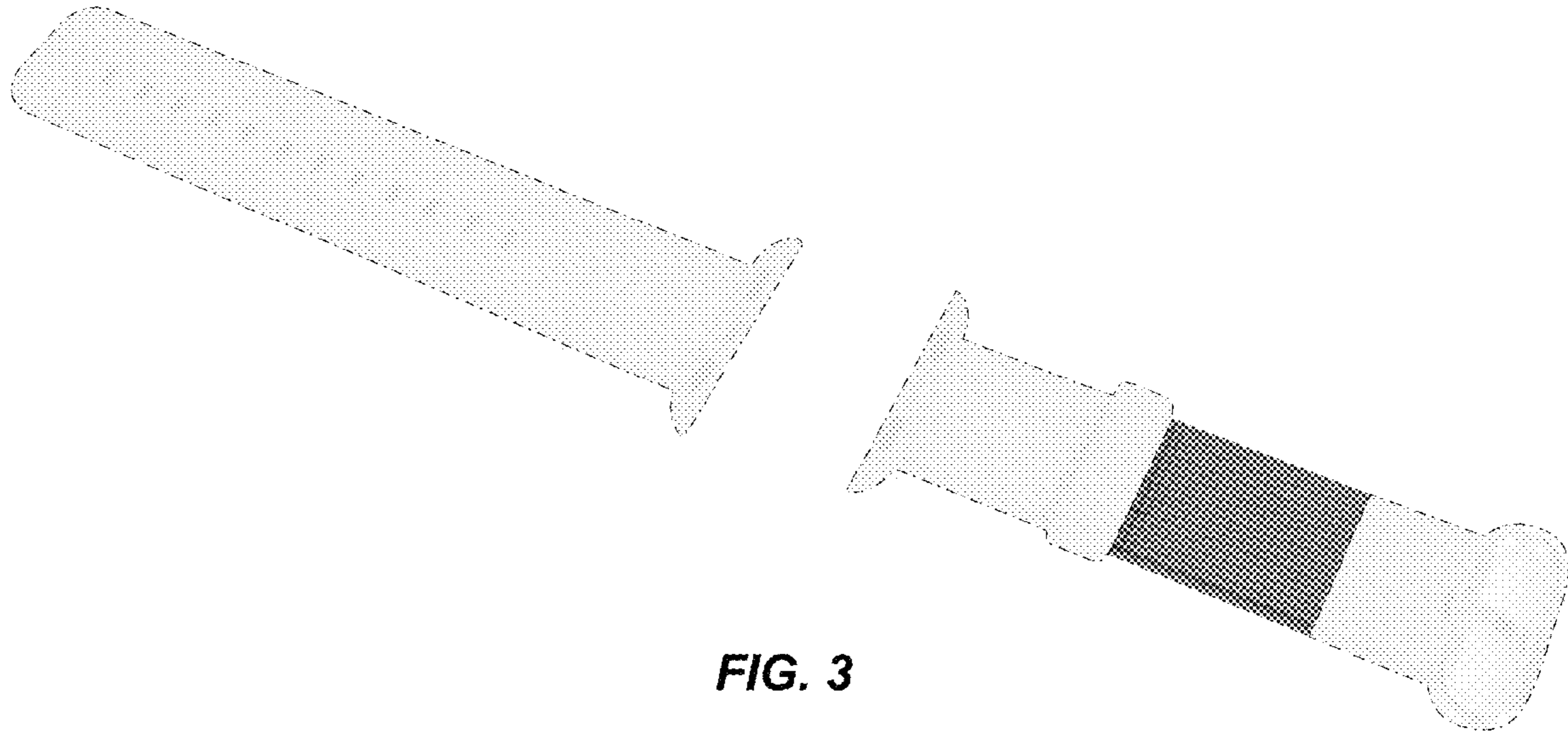


FIG. 2



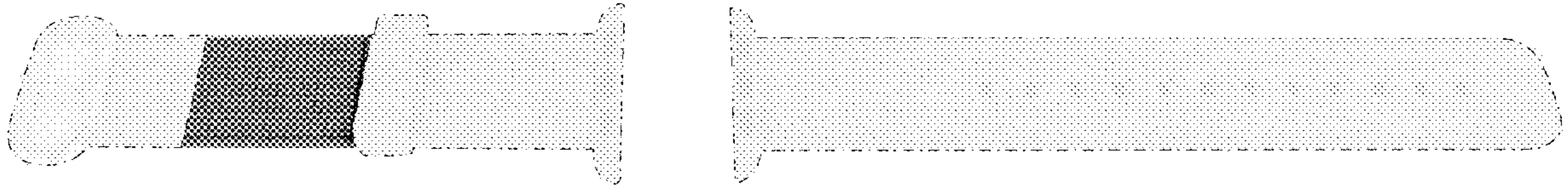


FIG. 5

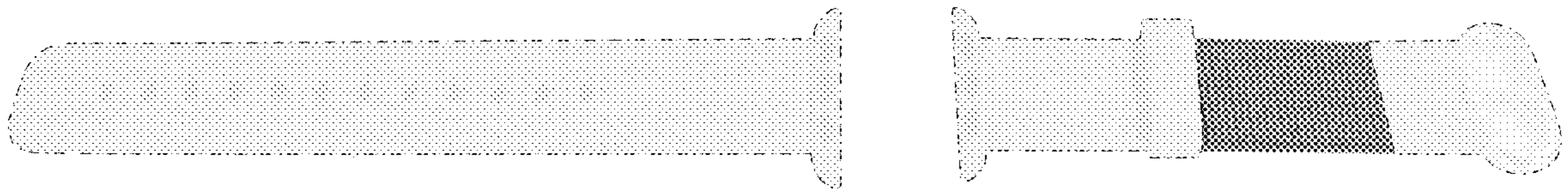


FIG. 6

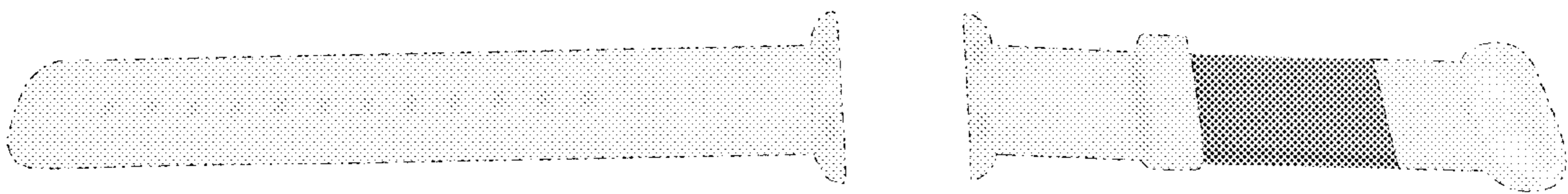


FIG. 7

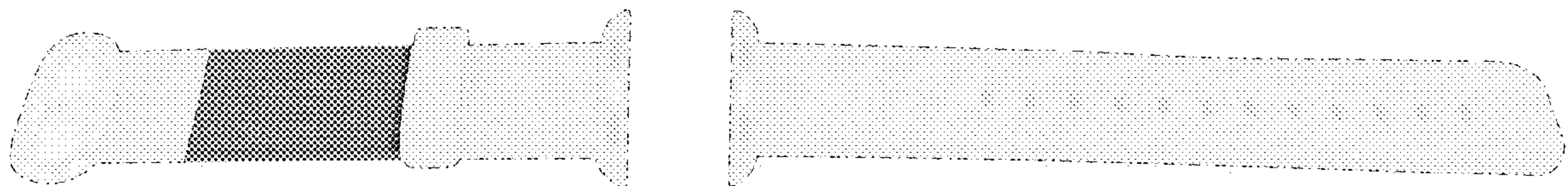


FIG. 8

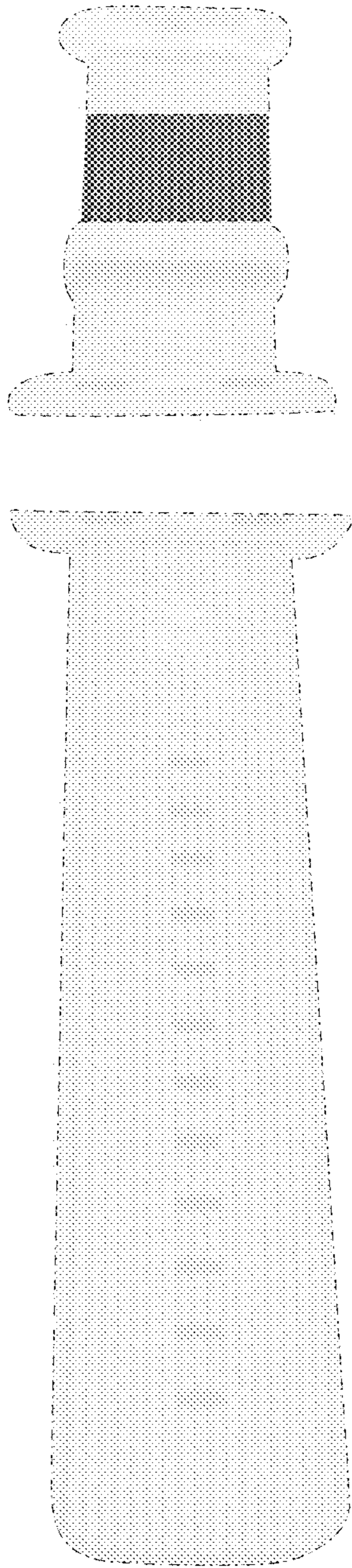


FIG. 9

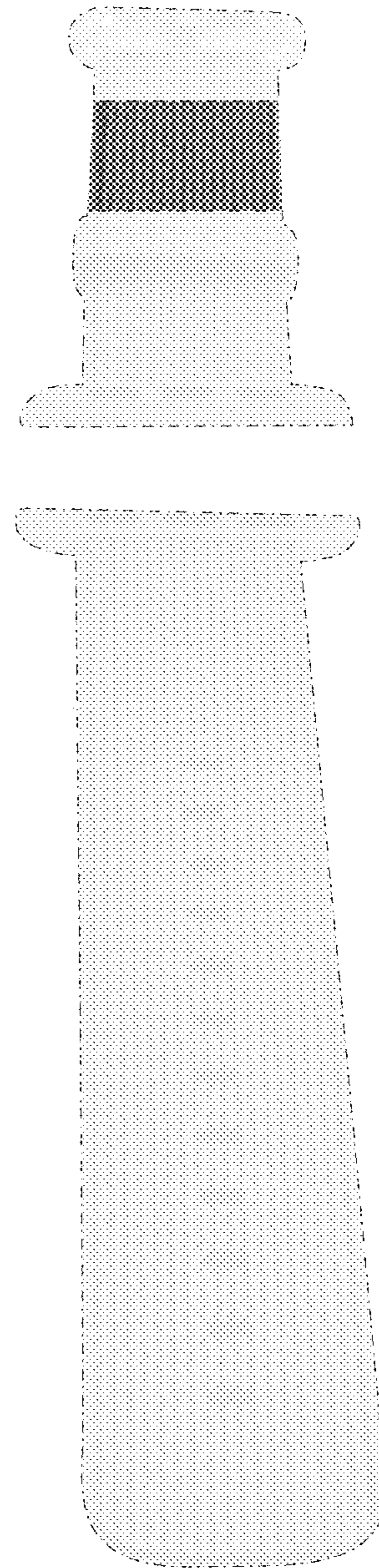


FIG. 10

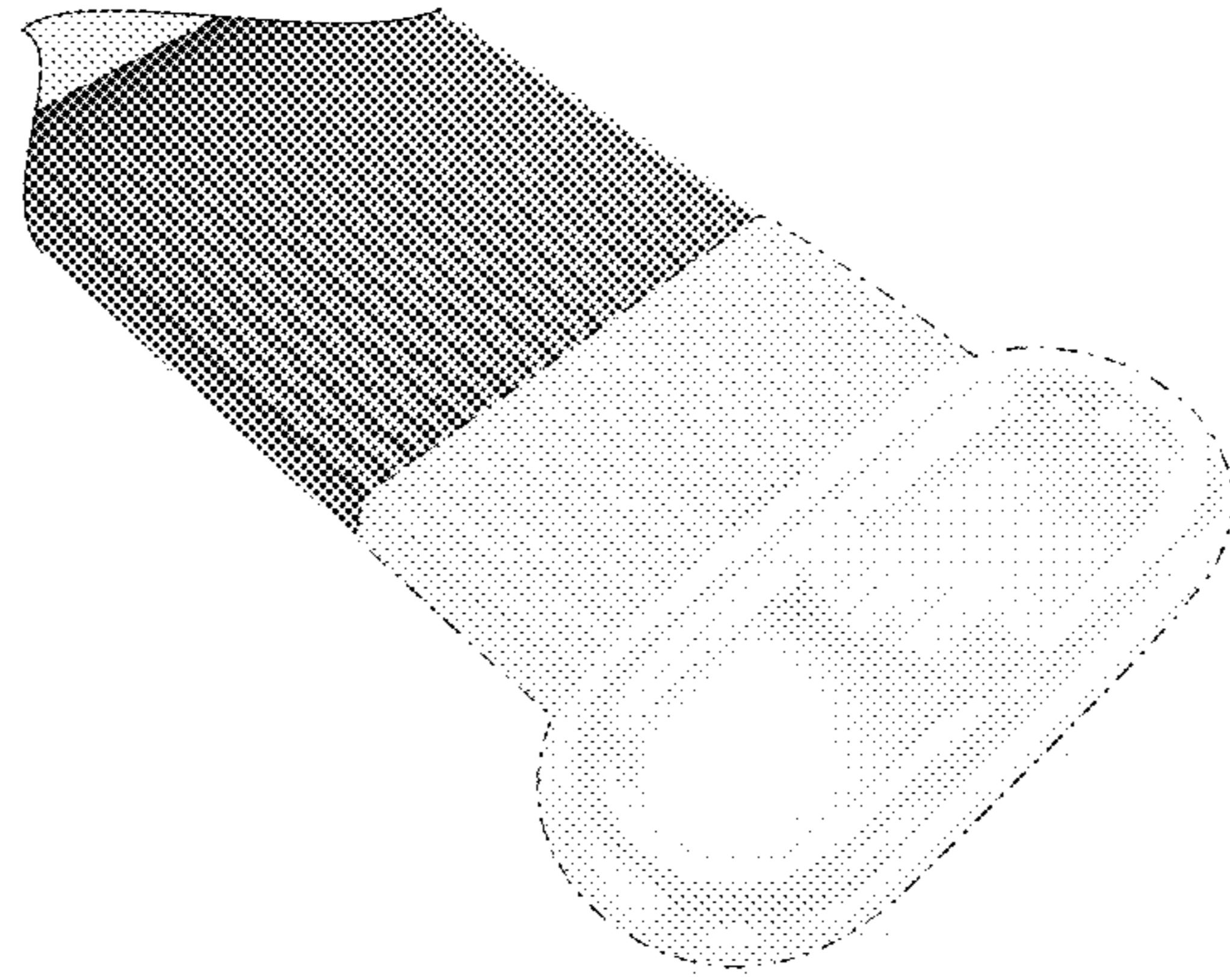


FIG. 11

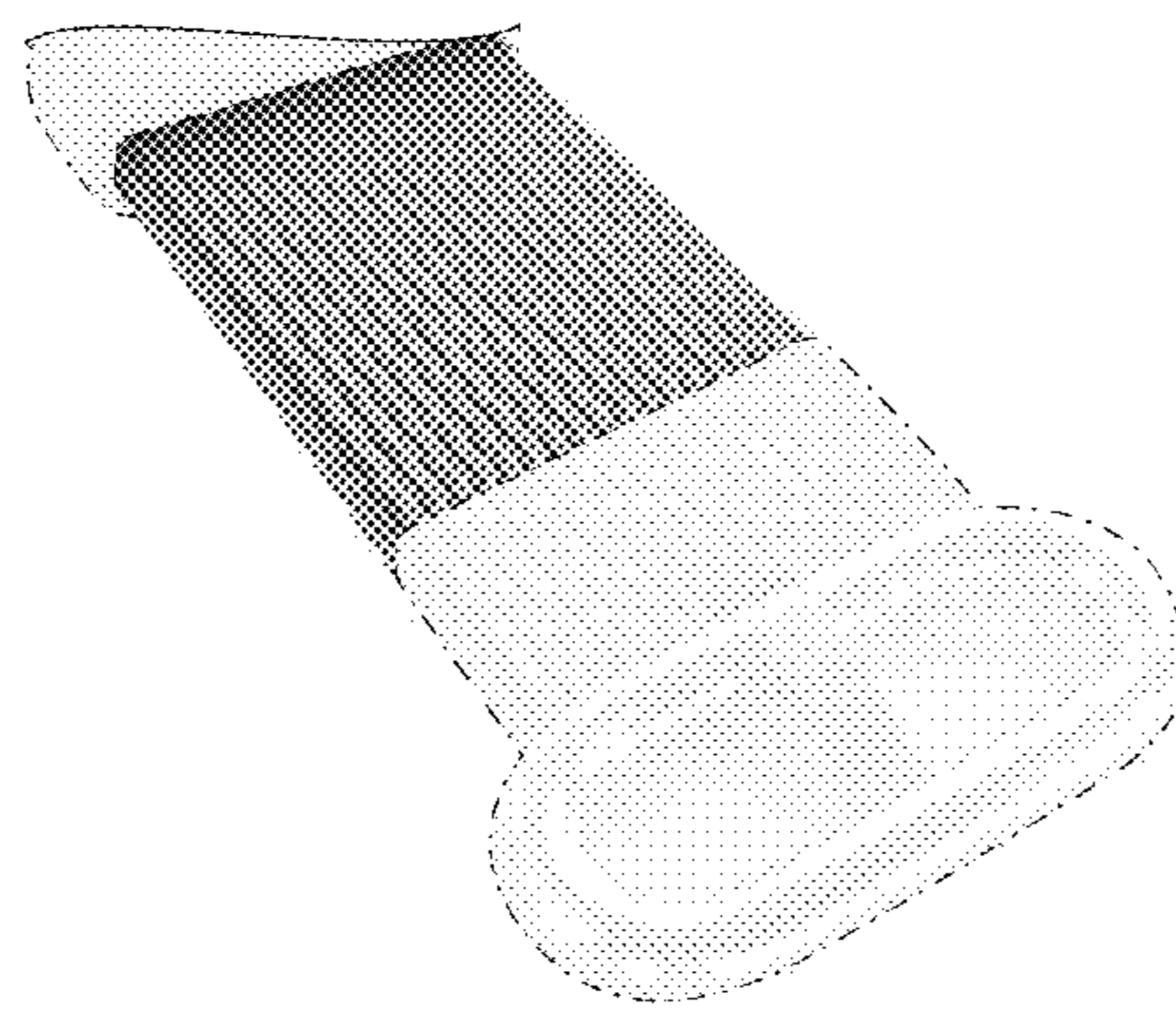


FIG. 12