

US00D960741S

(12) **United States Design Patent**  
**Robotham et al.**

(10) **Patent No.:** **US D960,741 S**

(45) **Date of Patent:** **\*\* Aug. 16, 2022**

(54) **NOTIFICATION APPLIANCE**

(71) Applicant: **Carrier Corporation**, Palm Beach Gardens, FL (US)

(72) Inventors: **Martin Paul Robotham**, Terra Ceia, FL (US); **Thomas Greenwood**, Bradenton, FL (US)

(73) Assignee: **CARRIER CORPORATION**, Palm Beach Gardens, FL (US)

(\*\*) Term: **15 Years**

(21) Appl. No.: **29/743,041**

(22) Filed: **Jul. 17, 2020**

(51) **LOC (13) Cl.** ..... **10-04**

(52) **U.S. Cl.**  
USPC ..... **D10/104.1**

(58) **Field of Classification Search**  
USPC ... D10/104.1, 52, 53, 81, 103, 106.1, 106.2, D10/106.3, 109.1, 109.2, 111, 113.1, D10/114.1, 114.2, 116.1, 120, 121  
CPC ..... H01H 13/00; H01H 13/023; H01H 13/14; H01H 13/56; G10K 7/00; G08B 3/00; G08B 5/36; G08B 5/38  
See application file for complete search history.

(56) **References Cited**

**U.S. PATENT DOCUMENTS**

D215,974 S	*	11/1969	Berns	.....	D10/120
D215,975 S	*	11/1969	Berns	.....	D10/120
D225,380 S	*	12/1972	Sanger et al.	.....	D10/116.1
D256,002 S	*	7/1980	Price	.....	D14/221
D256,897 S	*	9/1980	Arima	.....	D10/106.2
D276,029 S	*	10/1984	Skarman	.....	D10/106.2
D318,437 S	*	7/1991	Kojima	.....	D10/106.1
D347,596 S	*	6/1994	Jackson	.....	D10/106.1
D370,862 S	*	6/1996	John-Hurlow	.....	D10/106.1

D394,820 S	*	6/1998	Sniadach, Sr.	.....	D10/106.2
D400,460 S	*	11/1998	Ch	.....	D10/106.1
D414,440 S	*	9/1999	Ch	.....	D10/106.1
D568,194 S	*	5/2008	Vojinovic	.....	D10/109.2
7,920,053 B2	*	4/2011	Pattok	.....	G08B 7/06 340/331
D685,278 S	*	7/2013	Bellier	.....	D10/106.2
D880,324 S		4/2020	Greenwood et al.		
D884,535 S		5/2020	Greenwood et al.		
D939,990 S	*	1/2022	Greenwood	.....	D10/104.1
2020/0124239 A1	*	4/2020	Greenwood	.....	G08B 17/103

\* cited by examiner

*Primary Examiner* — George D. Kirschbaum

*Assistant Examiner* — Lillian Windham

(74) *Attorney, Agent, or Firm* — Carlson, Gaskey & Olds, P.C.

(57) **CLAIM**

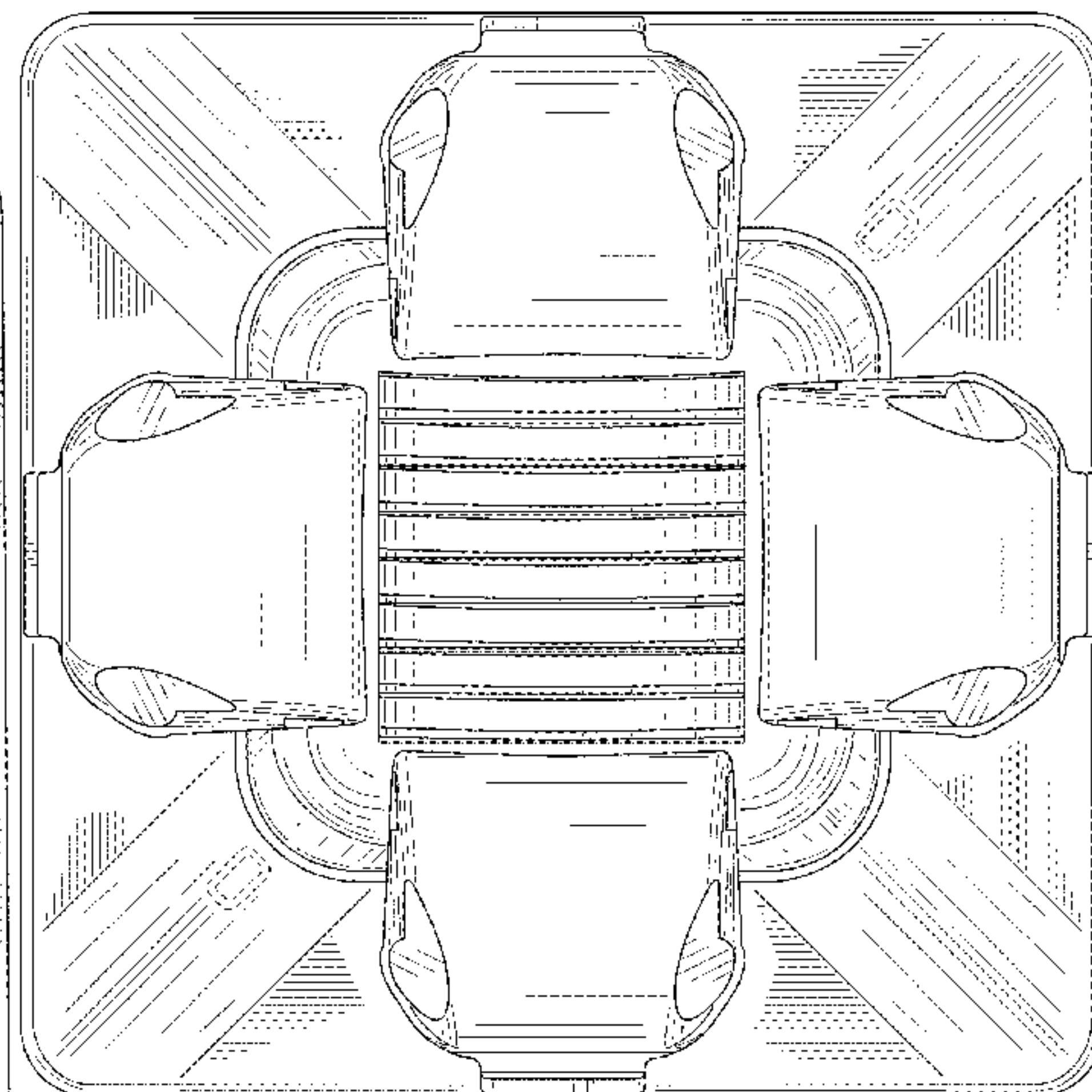
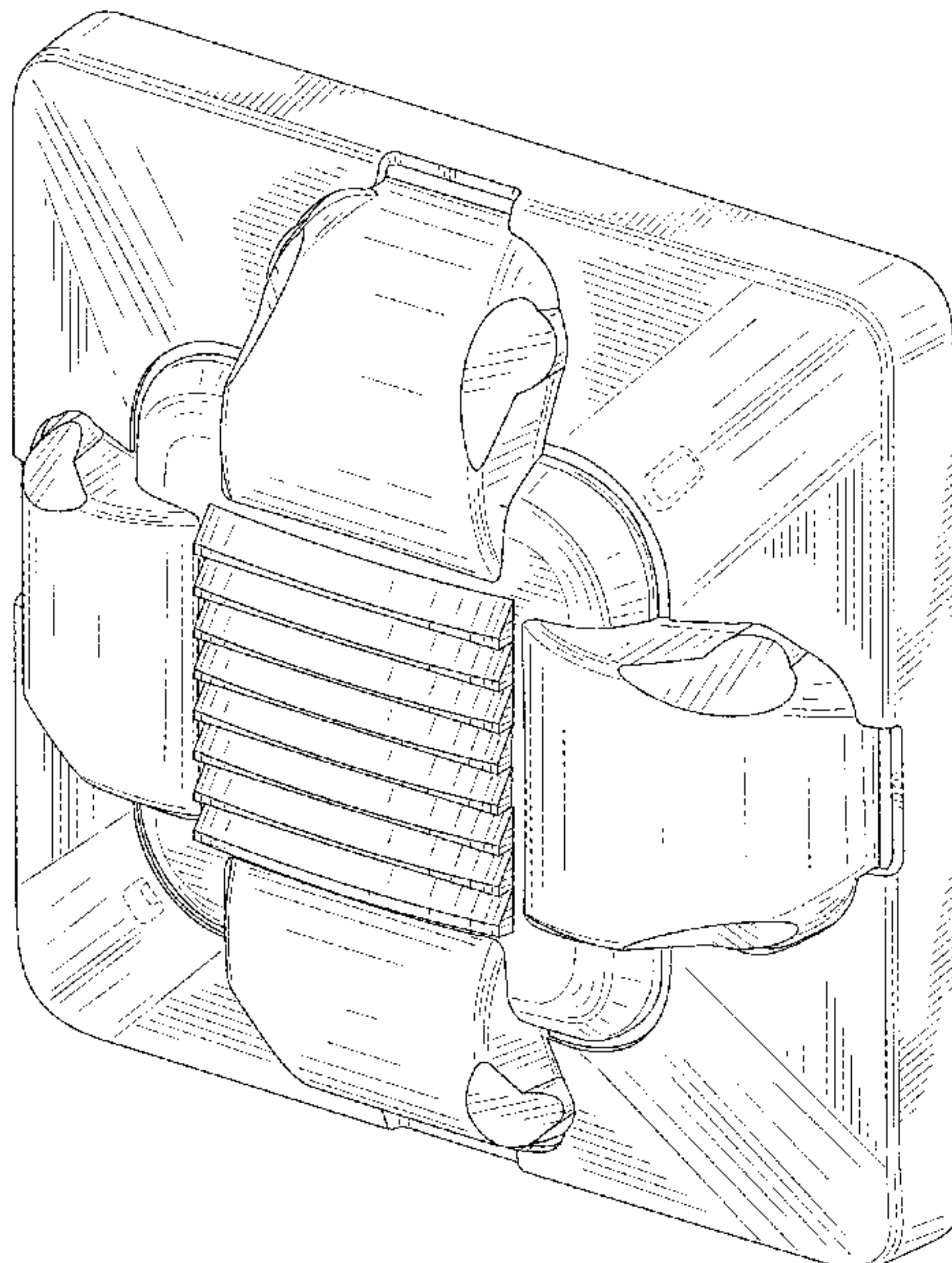
The ornamental design for a notification appliance, as shown and described.

**DESCRIPTION**

FIG. 1 is a perspective view of a notification appliance; FIG. 2 is a front view of the notification appliance of FIG. 1; FIG. 3 is a right side view of the notification appliance of FIG. 1; FIG. 4 is a left side view of the notification appliance of FIG. 1; FIG. 5 is a first end view of the notification appliance of FIG. 1; FIG. 6 is a second end view of the notification appliance of FIG. 1; and, FIG. 7 is a back view of the notification appliance of FIG. 1.

The broken lines illustrate portions of the notification appliance that form no part of the claimed design.

**1 Claim, 6 Drawing Sheets**



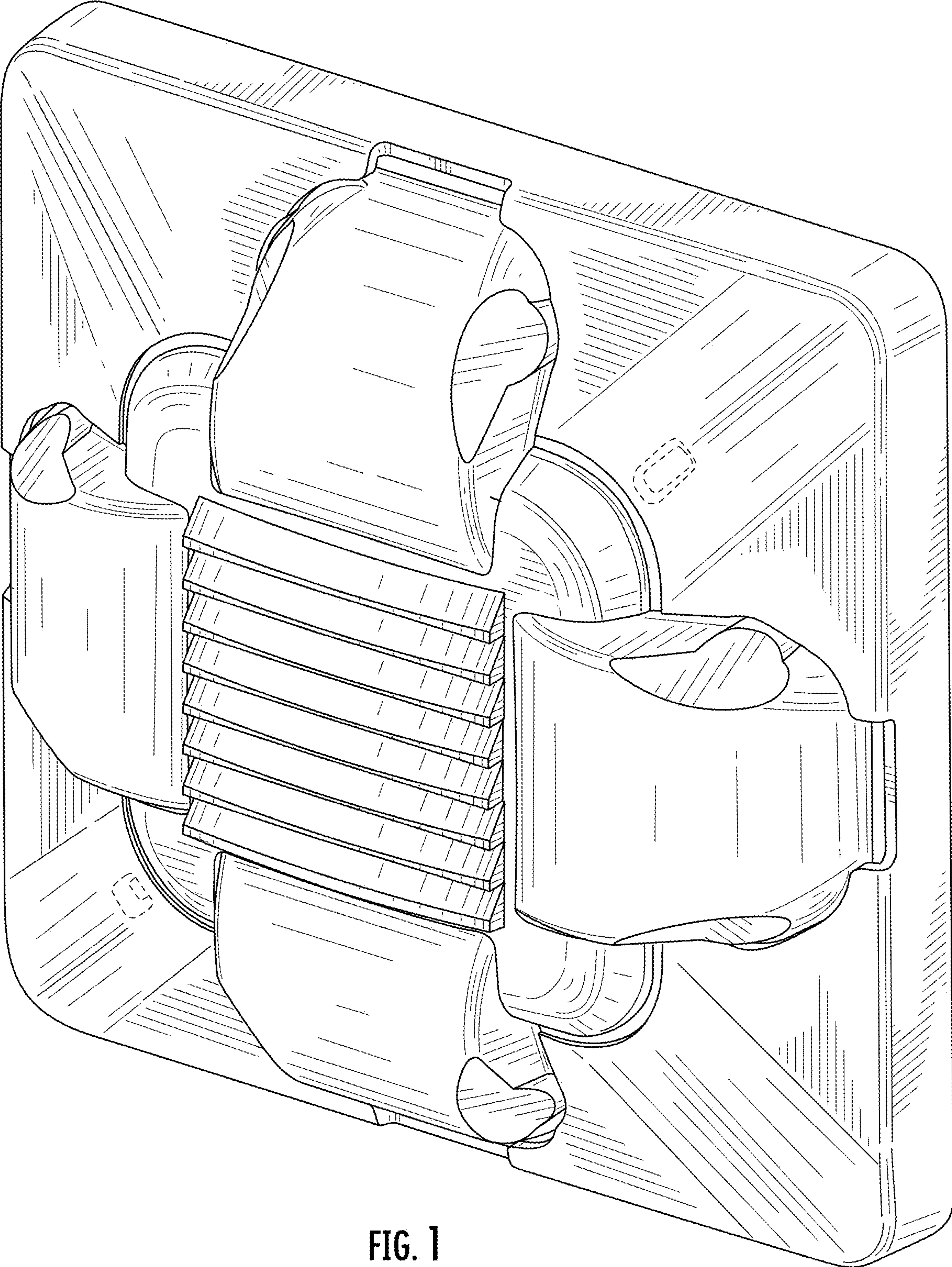


FIG. 1



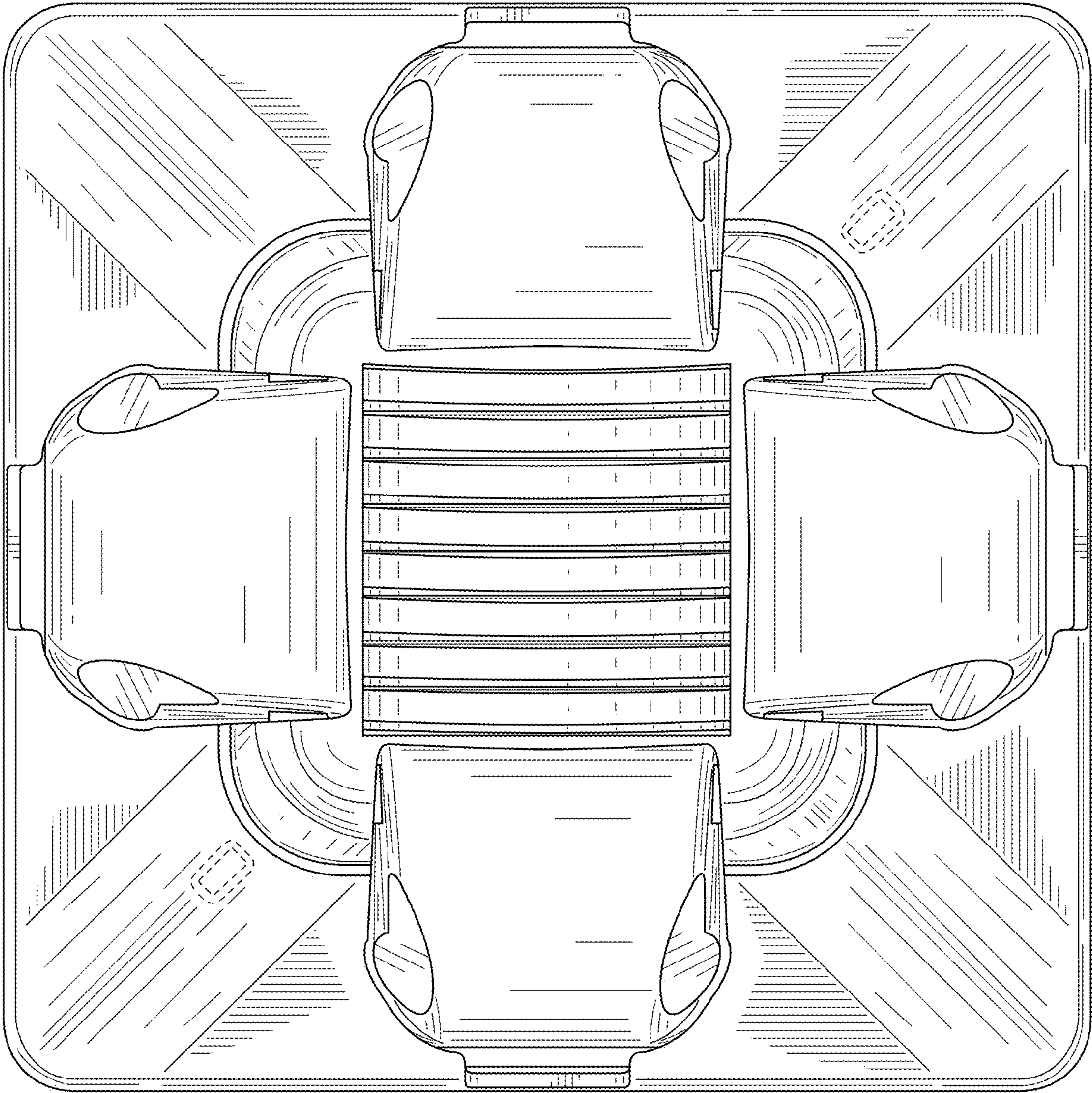


FIG. 2

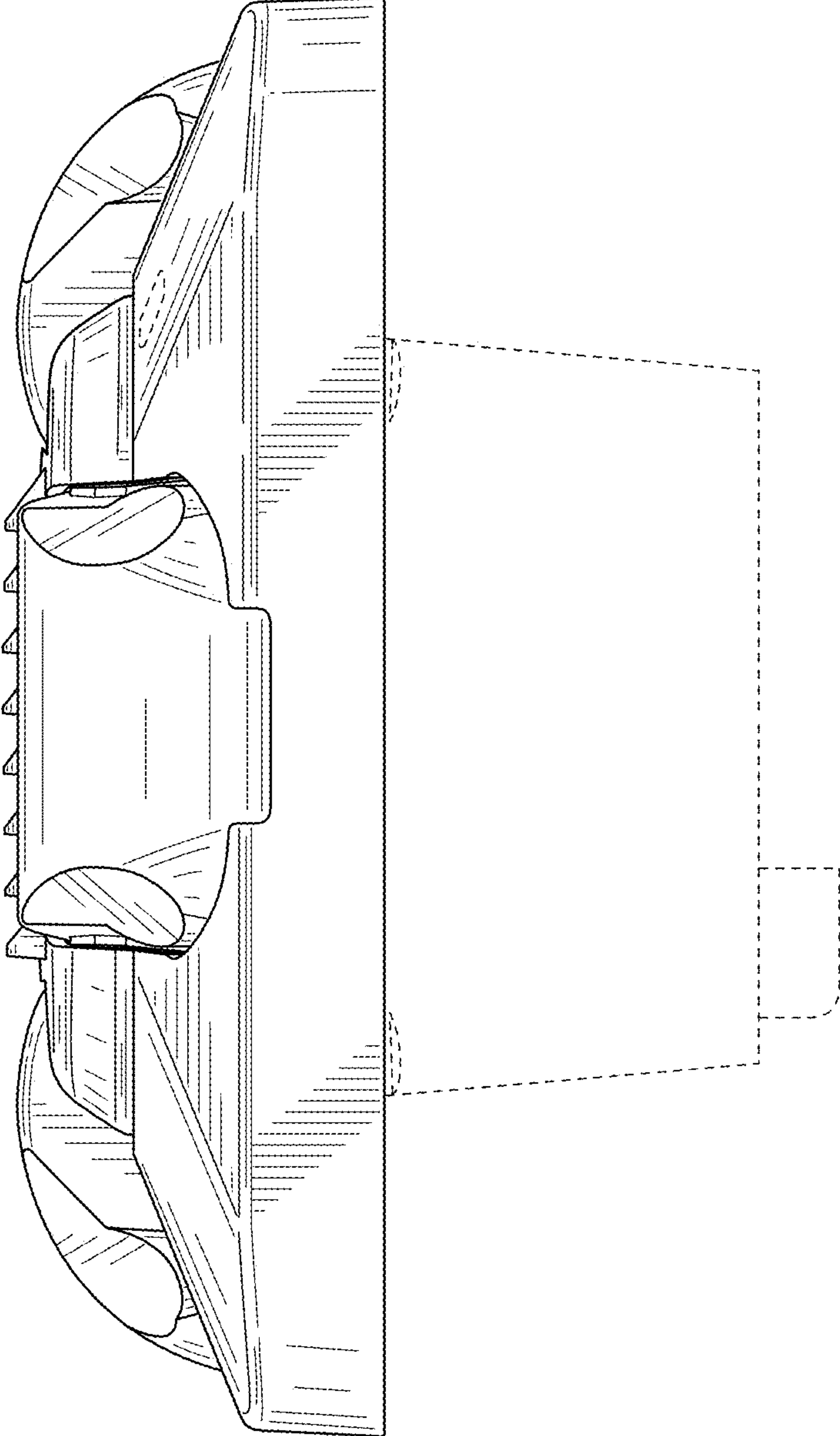


FIG. 3

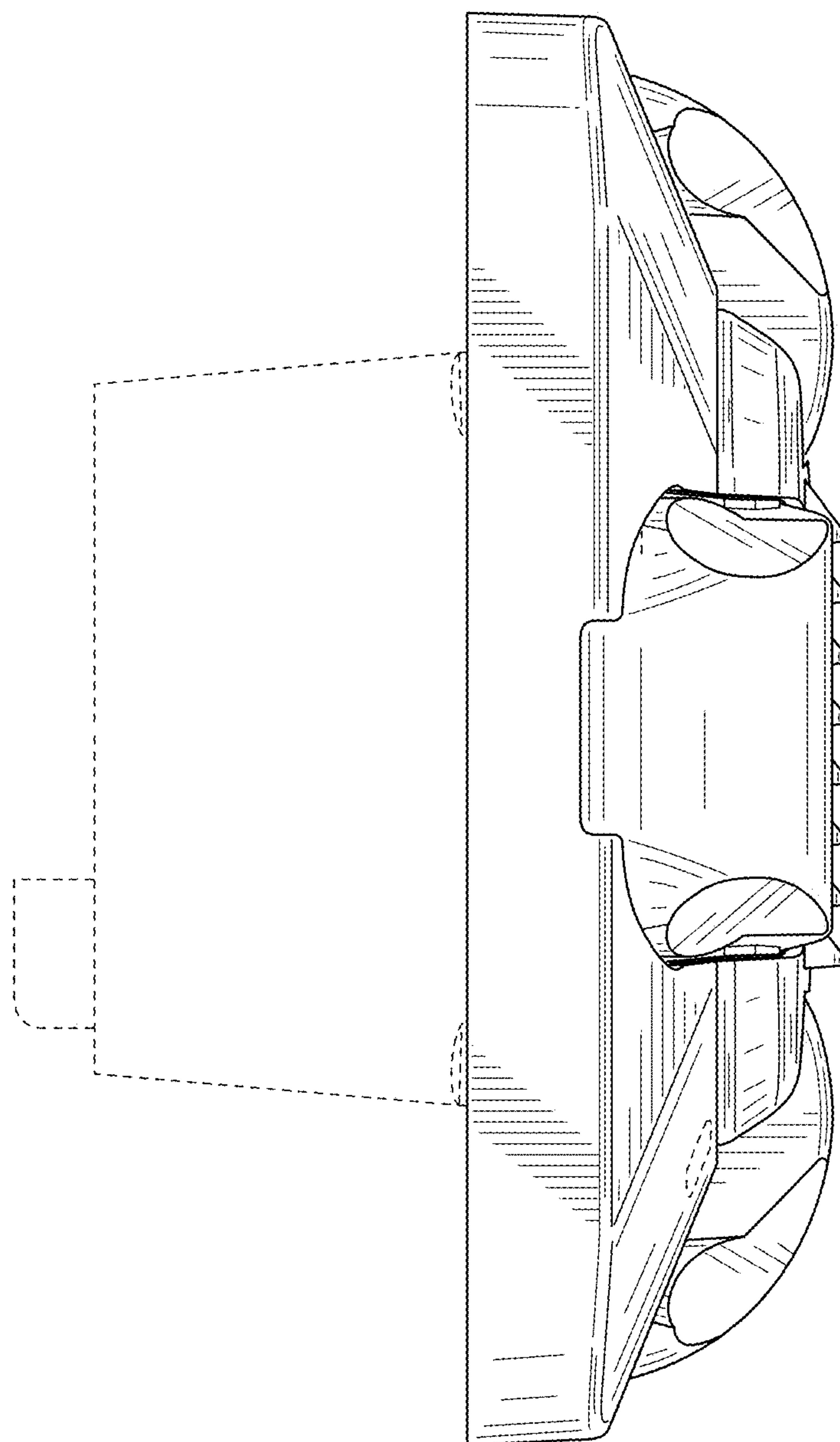


FIG. 4

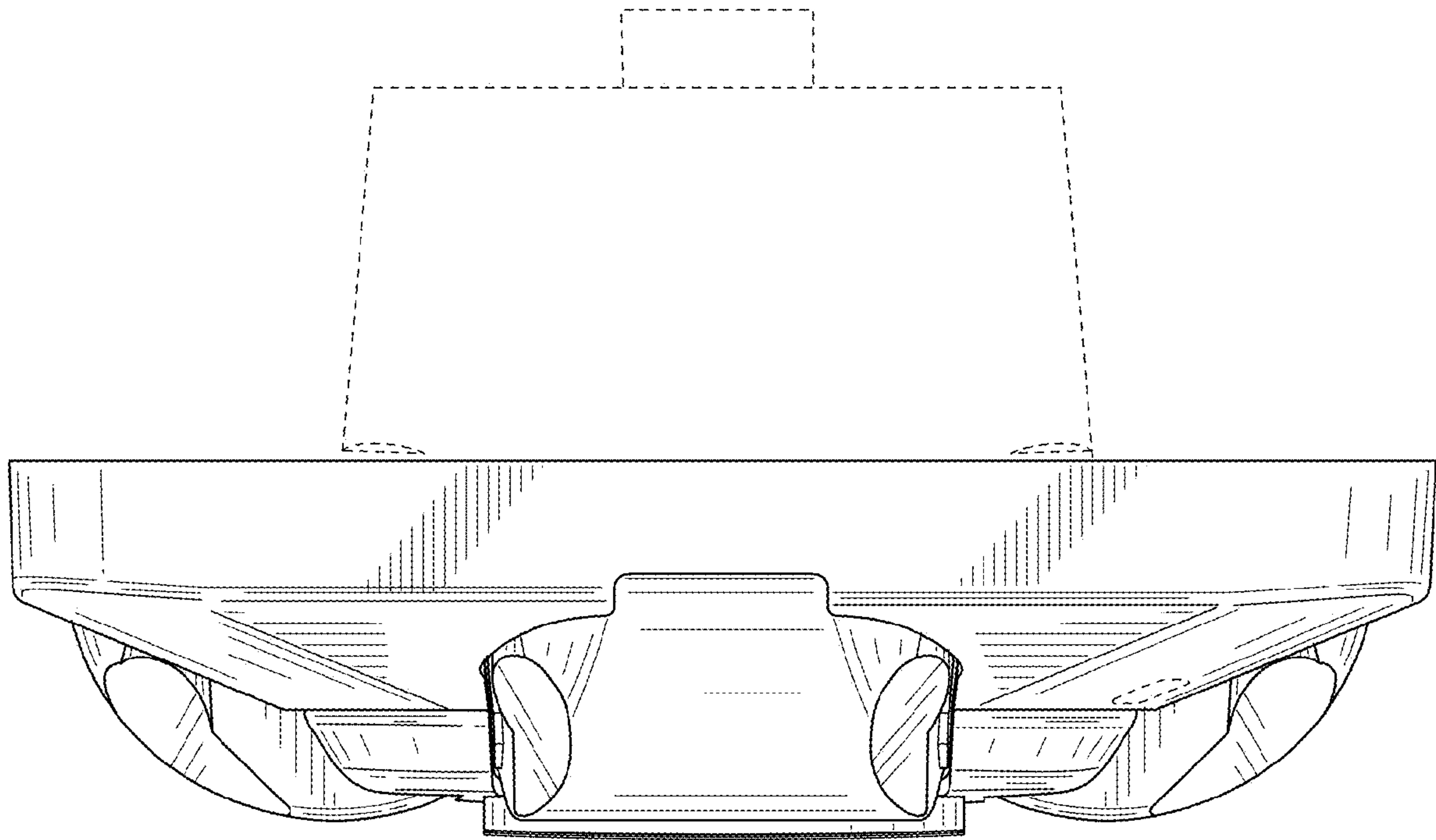


FIG. 5

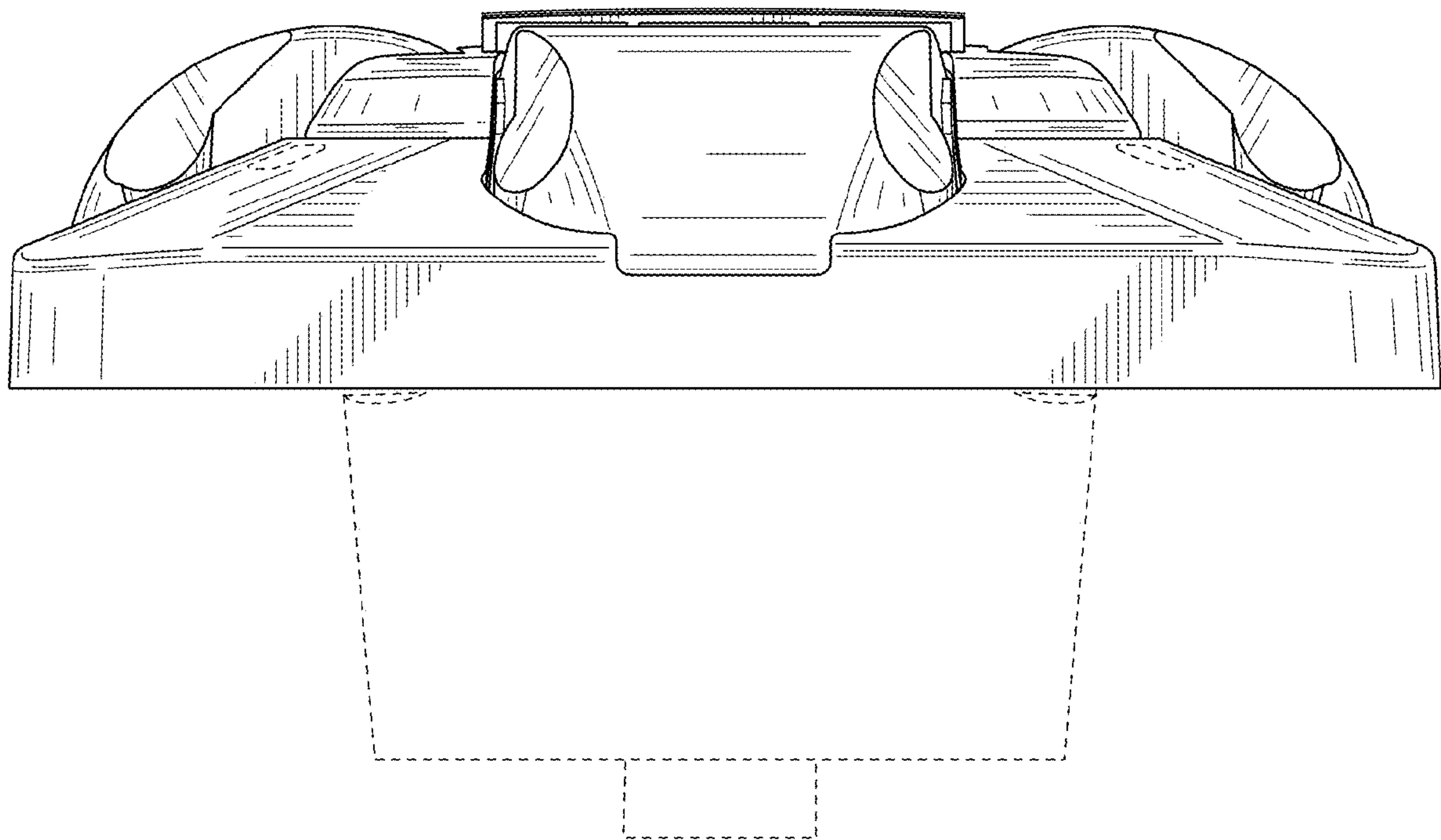


FIG. 6

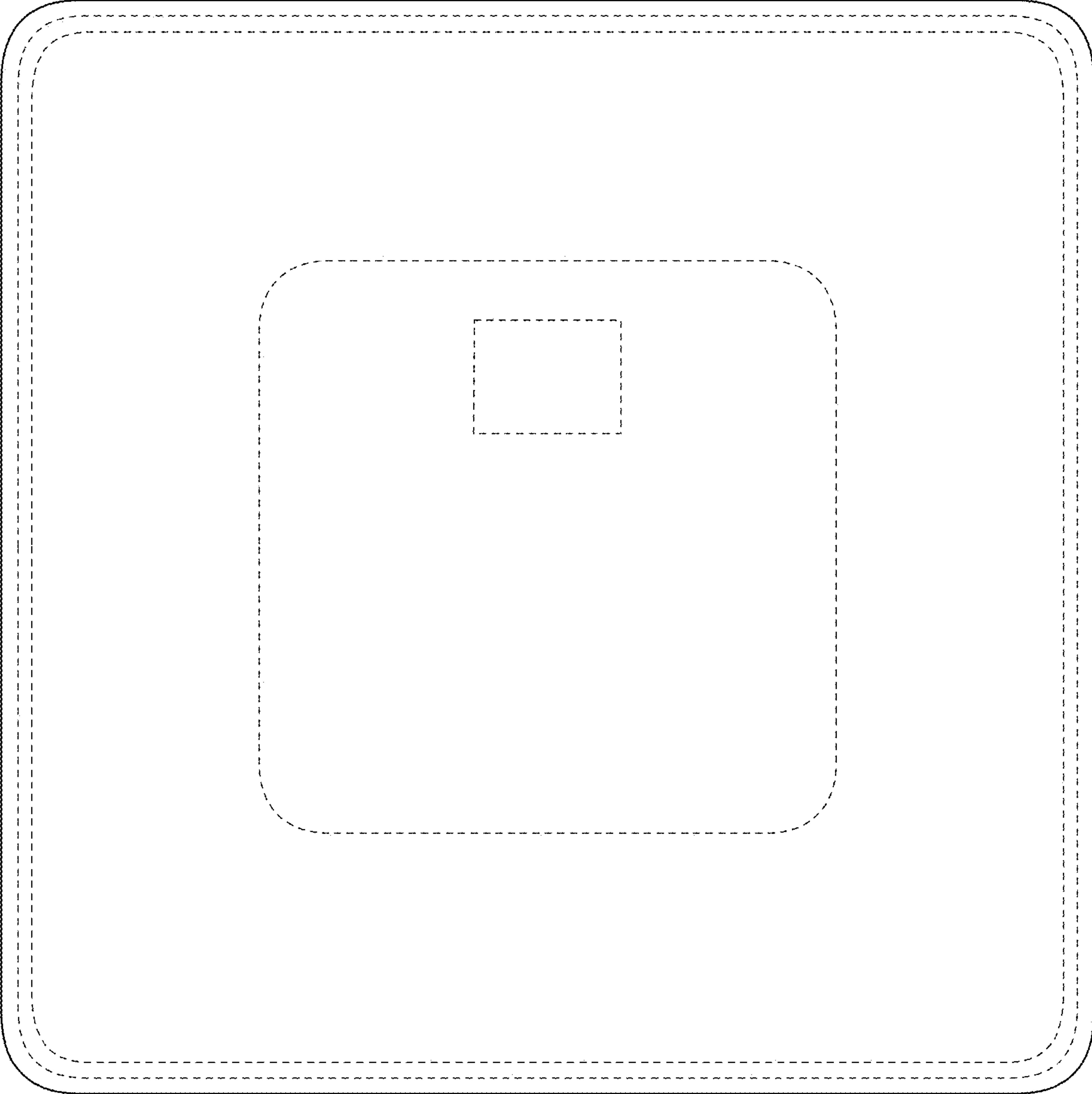


FIG. 7