

US00D960737S

(12) **United States Design Patent**  
**Varini**

(10) **Patent No.:** **US D960,737 S**  
(45) **Date of Patent:** **\*\* Aug. 16, 2022**

(54) **FLOWMETER**

(71) Applicant: **PIUSI S.P.A.**, Suzzara (IT)

(72) Inventor: **Otto Varini**, Suzzara (IT)

(73) Assignee: **PIUSI S.P.A.**, Suzzara (IT)

(\*\*) Term: **15 Years**

(21) Appl. No.: **29/716,438**

(22) Filed: **Dec. 10, 2019**

(30) **Foreign Application Priority Data**

Jun. 10, 2019 (EM) ..... 006573168

(51) **LOC (13) Cl.** ..... **10-04**

(52) **U.S. Cl.**  
USPC ..... **D10/96**

(58) **Field of Classification Search**  
USPC ..... D10/96-103, 46, 47, 80-82, 75-79, 61,  
D10/65, 67, 106.91, 106.9, 106.4, 104.1,  
D10/56, 71, 85, 86  
CPC ..... G01F 1/06; G01F 1/08; G01F 1/26; G01F  
23/02; G01F 1/28; G01F 1/05; G01F  
15/06; G01F 23/0015; G01F 1/22; B60P  
3/228; B60P 3/2265; G01P 5/24; G01P  
15/00; G01P 1/06; G01L 19/0023; G01L  
19/143; G01L 19/0092; G01L 19/086;  
G01K 13/00; G01K 1/024; G05D 7/0635;  
H04L 2012/2841; H04L 12/2827; H04L  
2012/285

See application file for complete search history.

(56) **References Cited**

**U.S. PATENT DOCUMENTS**

D348,018 S \* 6/1994 Poleshuk ..... D10/96  
D472,835 S \* 4/2003 Hendey ..... D10/99  
D560,530 S \* 1/2008 Fisher ..... D10/85  
D698,678 S \* 2/2014 Varini ..... D10/96

9,568,351 B1 \* 2/2017 Gregory ..... G01F 15/14  
D850,960 S \* 6/2019 Headley ..... D10/96  
D863,087 S \* 10/2019 Henrich ..... D10/96

(Continued)

**FOREIGN PATENT DOCUMENTS**

CN 304912325 \* 5/2018  
CN 305331298 \* 12/2018

(Continued)

**OTHER PUBLICATIONS**

Piusi, Digital Electronic Flow Meter, Date first available Dec. 7, 2018, [online]retrieved Dec. 20, 2021, available from [https://www.amazon.com/Meridian-Vehicle-Parts-F00407340-Electronic/dp/B07L6Y73YB/ref=sr\\_1\\_3?keywords=piusi+flow+meter&qid=1640015464&sr=8-3](https://www.amazon.com/Meridian-Vehicle-Parts-F00407340-Electronic/dp/B07L6Y73YB/ref=sr_1_3?keywords=piusi+flow+meter&qid=1640015464&sr=8-3) (Year: 2018).\*

(Continued)

*Primary Examiner* — Keli L Hill

*Assistant Examiner* — Sara S Sahneh

(74) *Attorney, Agent, or Firm* — Scully, Scott, Murphy & Presser, P.C.

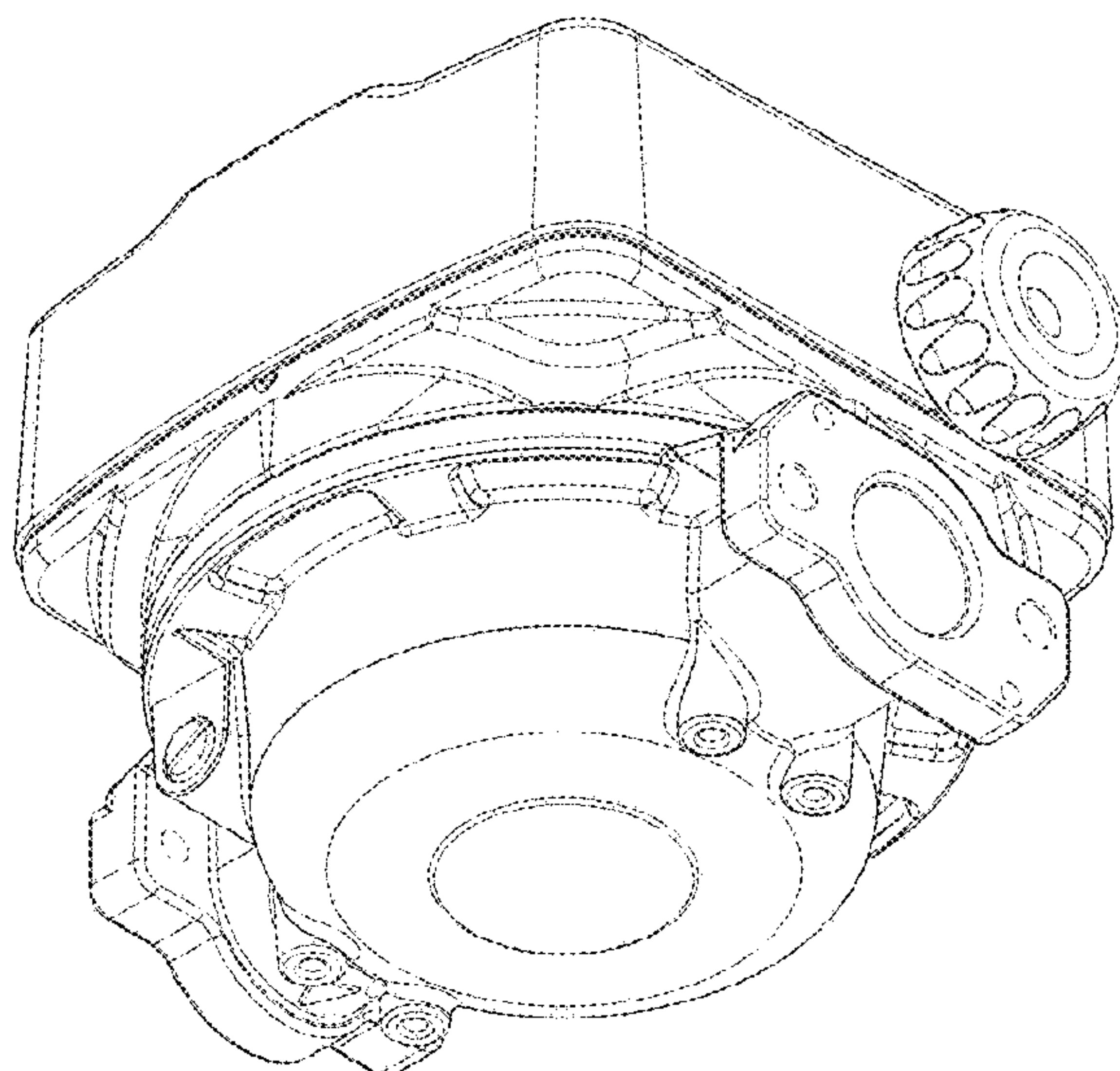
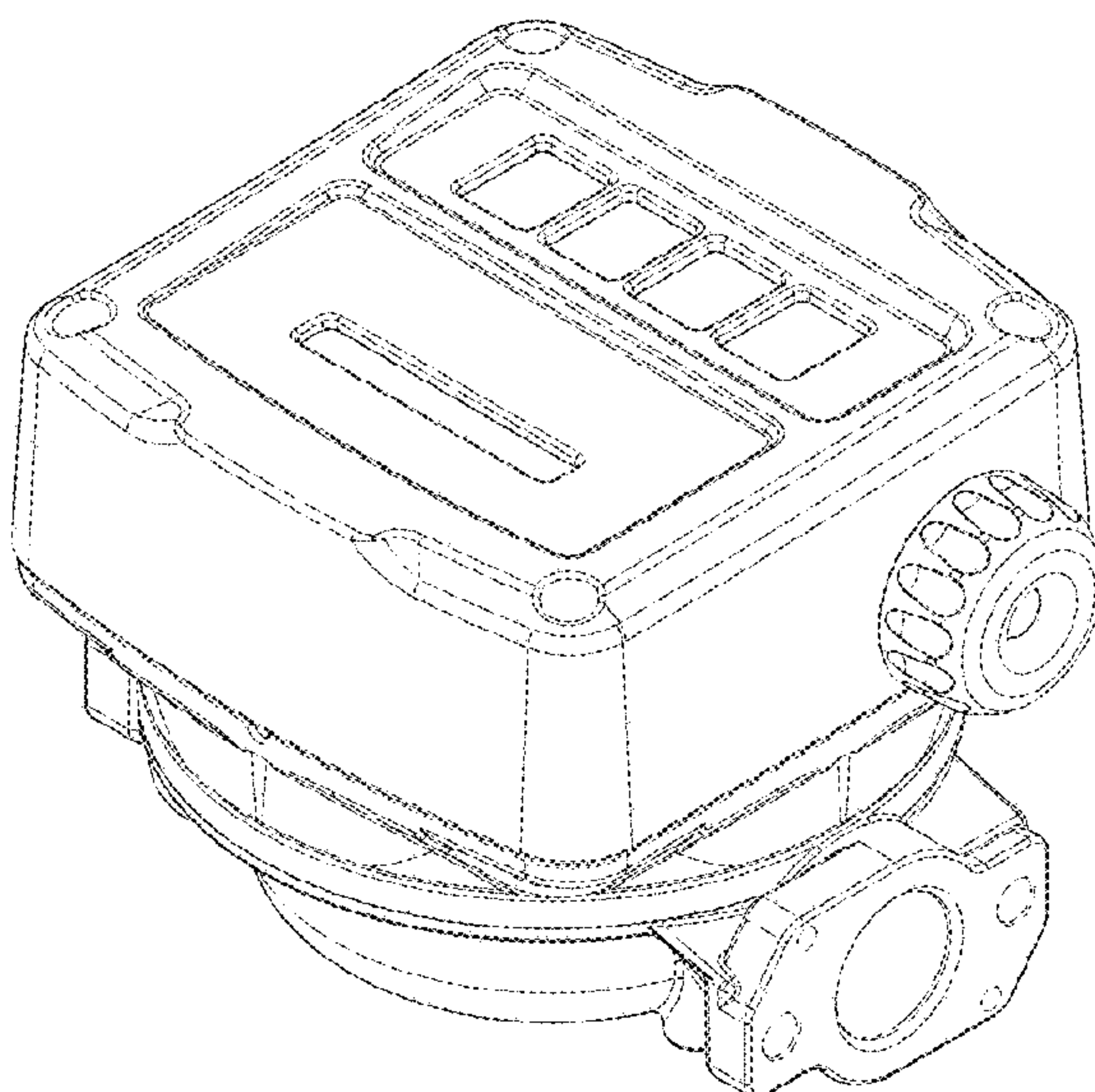
(57) **CLAIM**

The ornamental design for a flowmeter, as shown.

**DESCRIPTION**

FIG. 1 is a perspective view of a flowmeter showing my new design;  
FIG. 2 is a front view thereof;  
FIG. 3 is a rear view thereof;  
FIG. 4 is a left side view thereof;  
FIG. 5 is a right side view thereof;  
FIG. 6 is a top view thereof;  
FIG. 7 is a bottom view thereof; and,  
FIG. 8 is a further perspective view thereof.  
The broken lines shown in the figures attached hereto are included for the purpose of illustrating portions of the flowmeter that form no part of the claimed design.

**1 Claim, 8 Drawing Sheets**



(56)

**References Cited**

U.S. PATENT DOCUMENTS

D878,943 S \* 3/2020 Mess ..... D10/96  
D928,915 S \* 8/2021 Okawara ..... D23/233  
2009/0255346 A1\* 10/2009 Hendey, Sr. .... G01F 15/066  
73/861.77  
2012/0265451 A1\* 10/2012 Varini ..... G01F 1/72  
702/45  
2020/0386590 A1\* 12/2020 Stuyvenberg ..... G01F 15/00  
2021/0223077 A1\* 7/2021 Liu ..... G01F 15/06

FOREIGN PATENT DOCUMENTS

CN 305742392 \* 11/2019  
CN 305750110 \* 11/2019  
CN 306215923 \* 7/2020  
JP D1645809 \* 2/2019  
RU 00121866 \* 8/2019

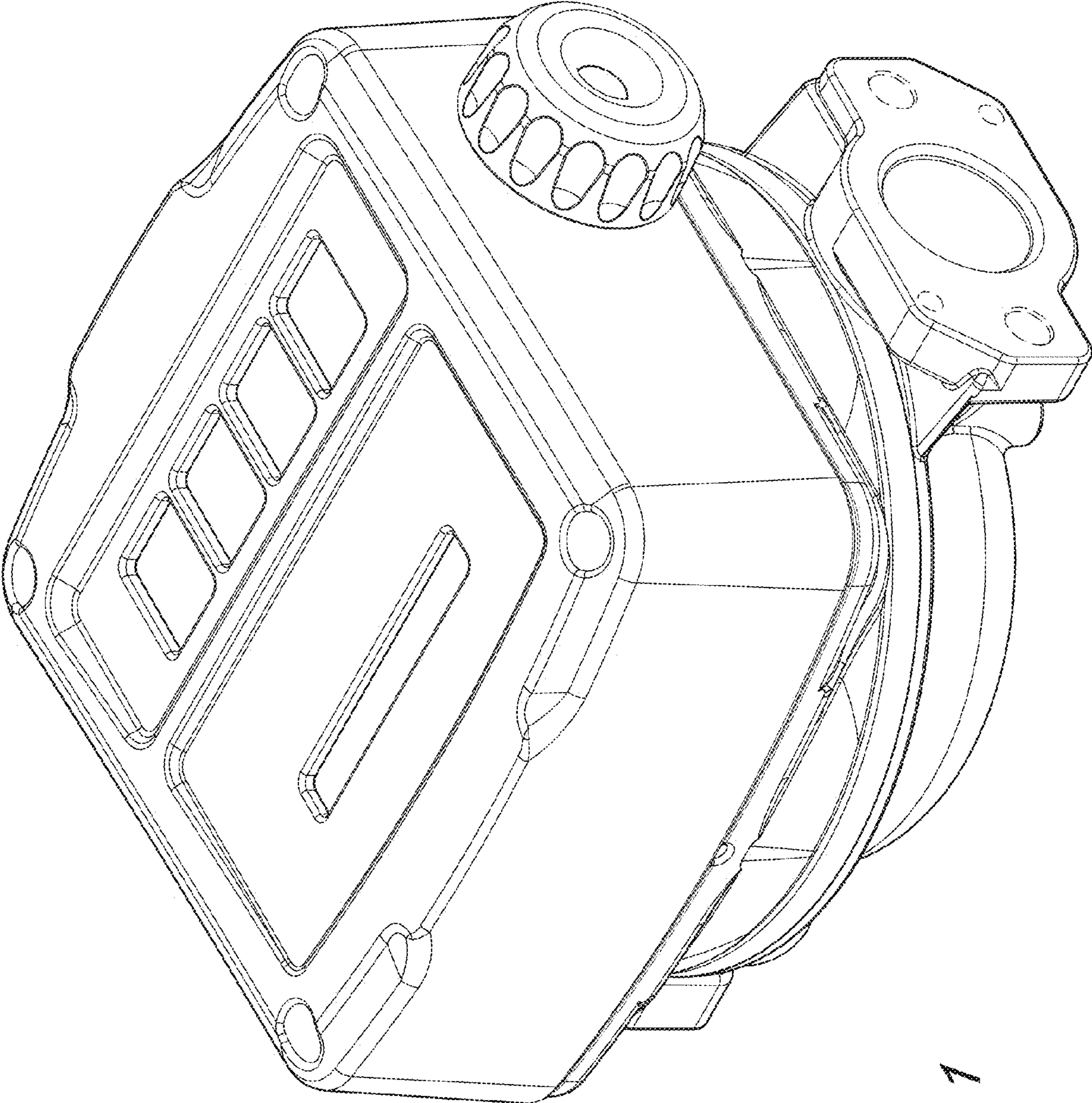
OTHER PUBLICATIONS

Oumefar Store, Igital Diesel Flow Meter, Date first available Oct. 9, 2020, [online]retrieved Dec. 20, 2021,available from [https://www.amazon.com/dp/B08KXQ2QKZ/ref=sspa\\_dk\\_detail\\_8?psc=1&pd\\_rd\\_w=VsYcP&pf\\_rd\\_p=9fd3ea7c-b77c-42ac-b43b-c872d3f37c38&pd\\_rd\\_wg=GoD2n&pf\\_rd\\_r=2WKDFYD959BWNE8Z9331&pd\\_rd\\_r=39872](https://www.amazon.com/dp/B08KXQ2QKZ/ref=sspa_dk_detail_8?psc=1&pd_rd_w=VsYcP&pf_rd_p=9fd3ea7c-b77c-42ac-b43b-c872d3f37c38&pd_rd_wg=GoD2n&pf_rd_r=2WKDFYD959BWNE8Z9331&pd_rd_r=39872) (Year: 2020).\*

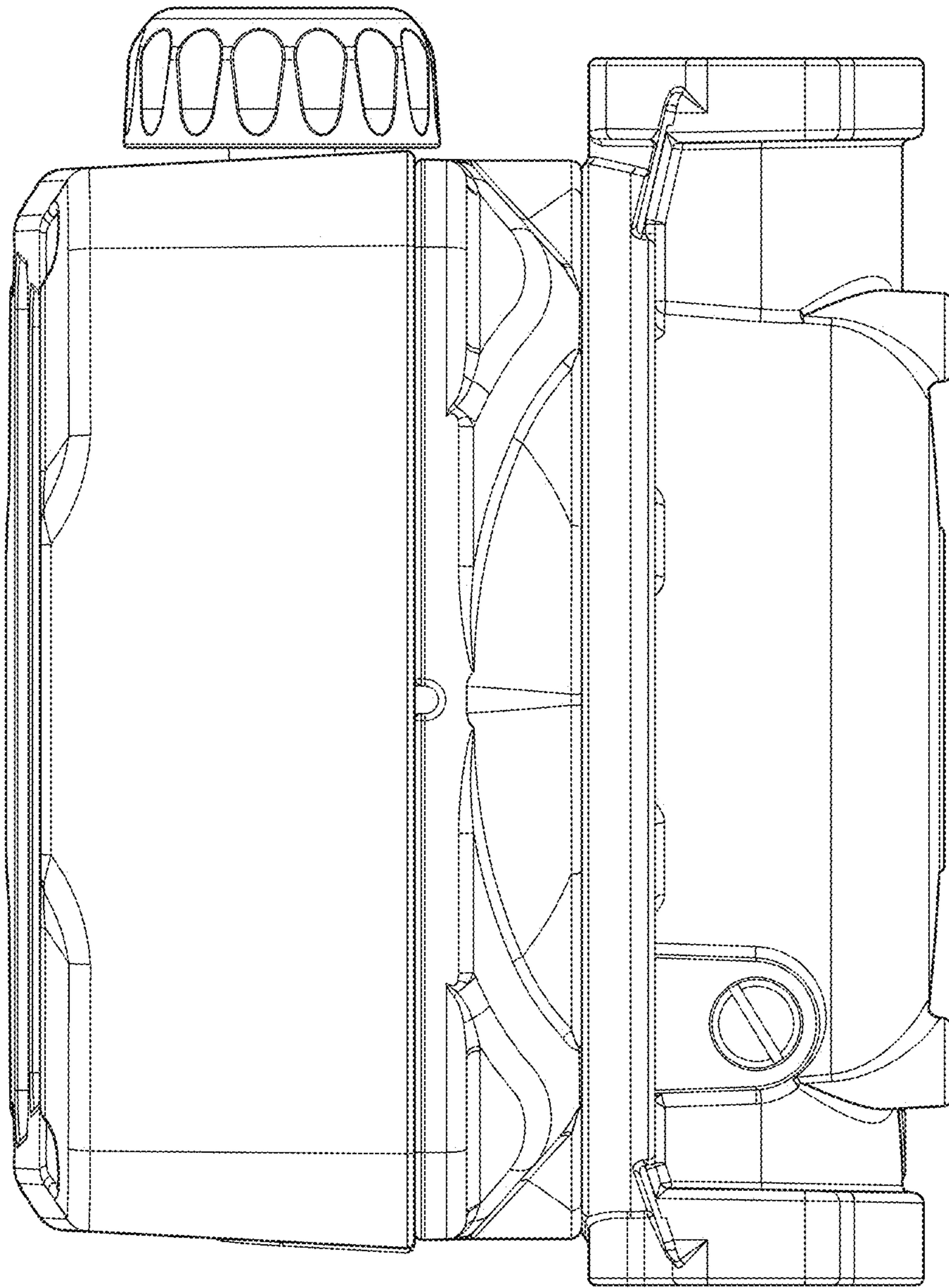
Piusi, K150 Meter, , [online]retrieved Dec. 20, 2021,available from <https://media.piusi.com/pdf/INT/Fuel/Datasheets/EN/K150-PIUSI-DATASH EET-FUEL-01.21-EN.pdf> (Year: 2021).\*

\* cited by examiner

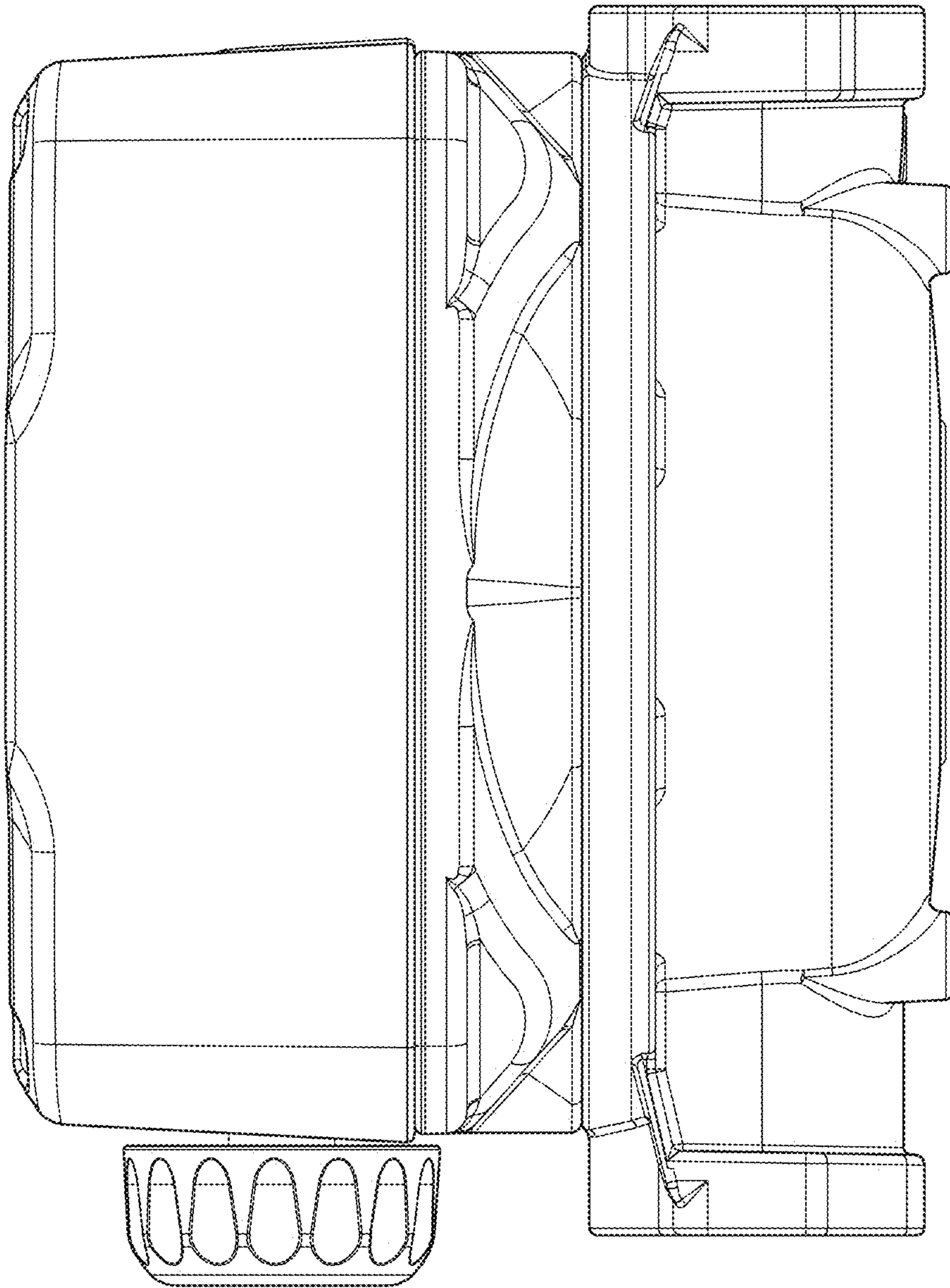




*Fig. 1*

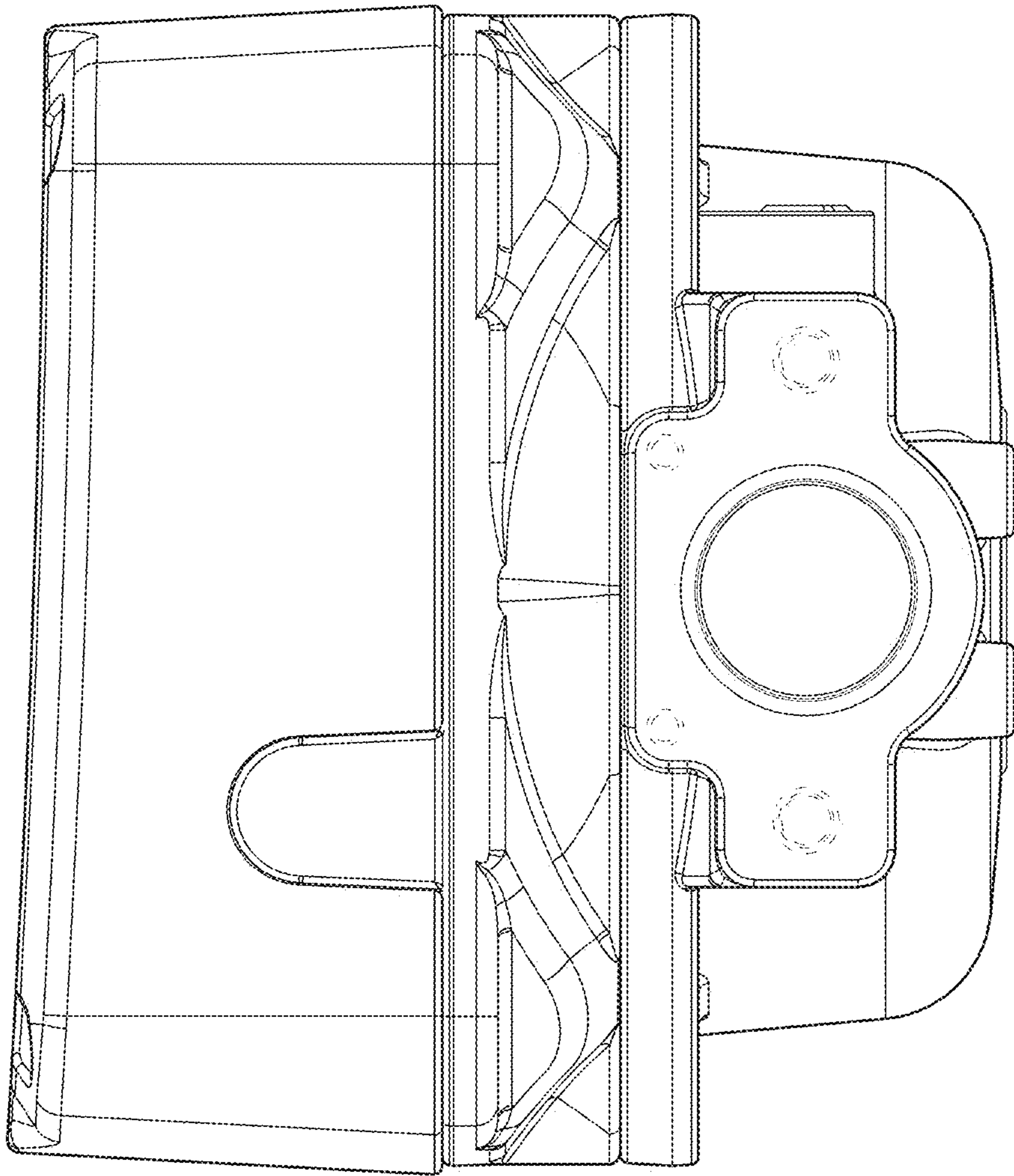


*Fig. 2*

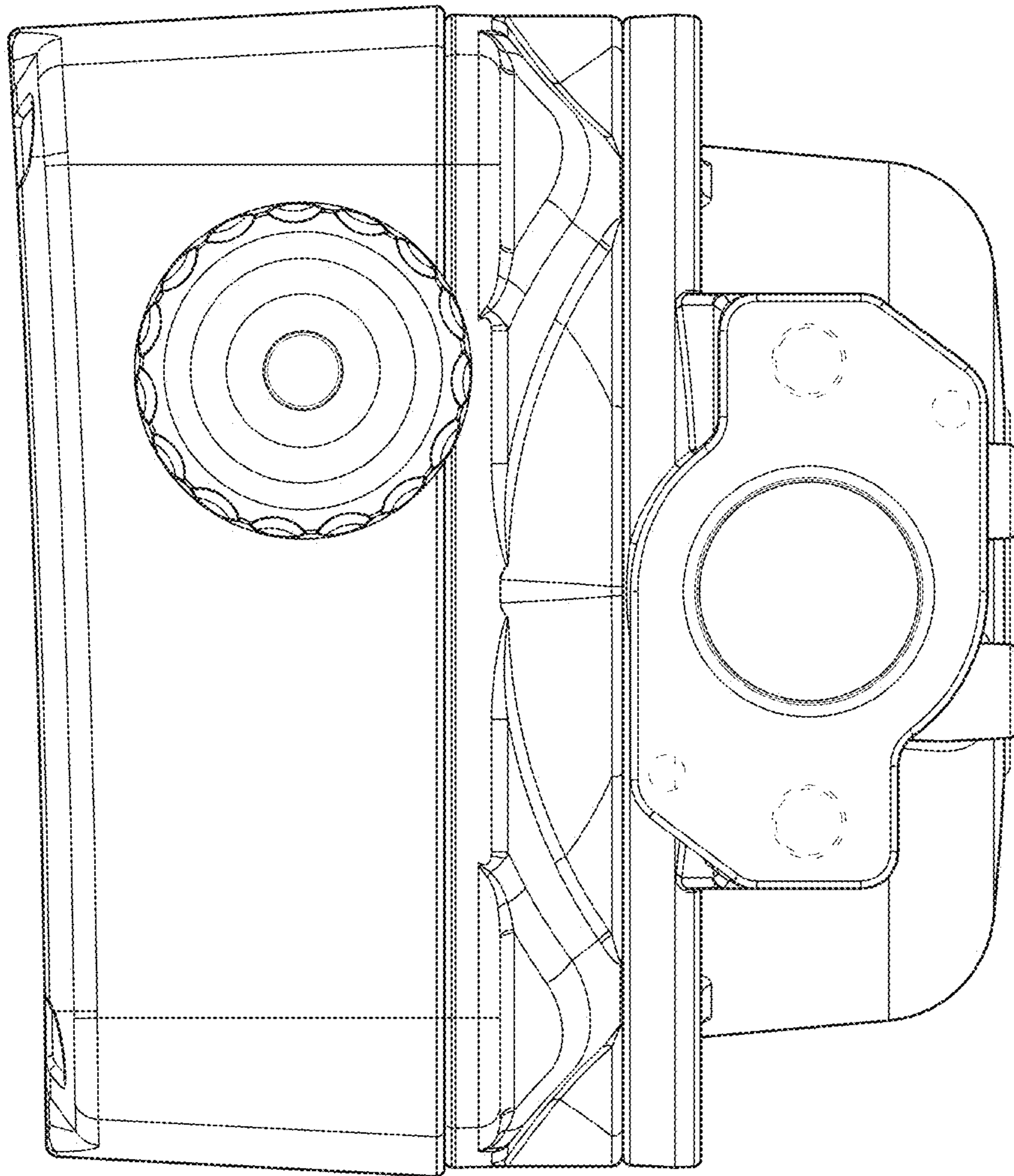


*Fig. 3*

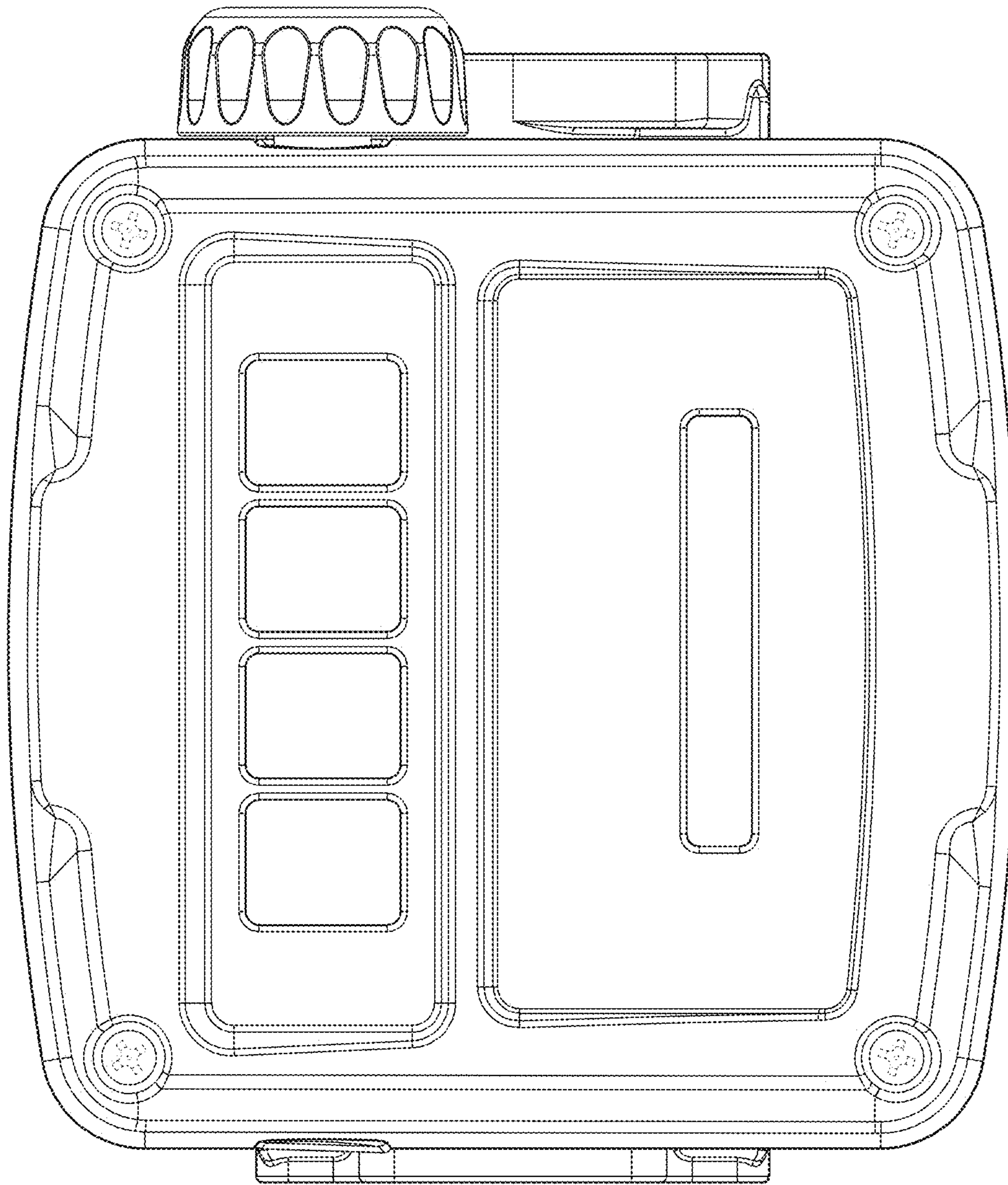




*Fig. 4*

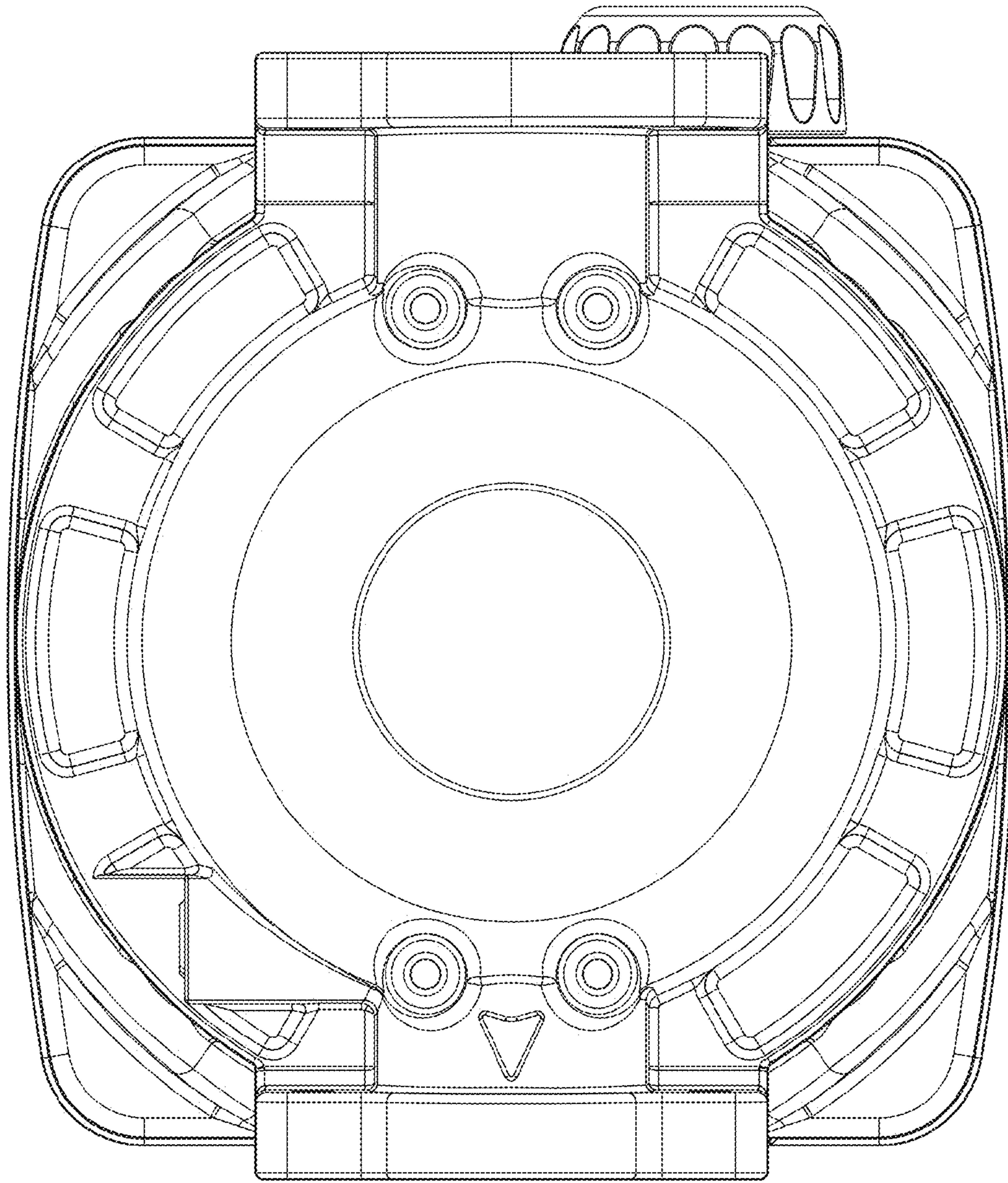


*Fig. 5*

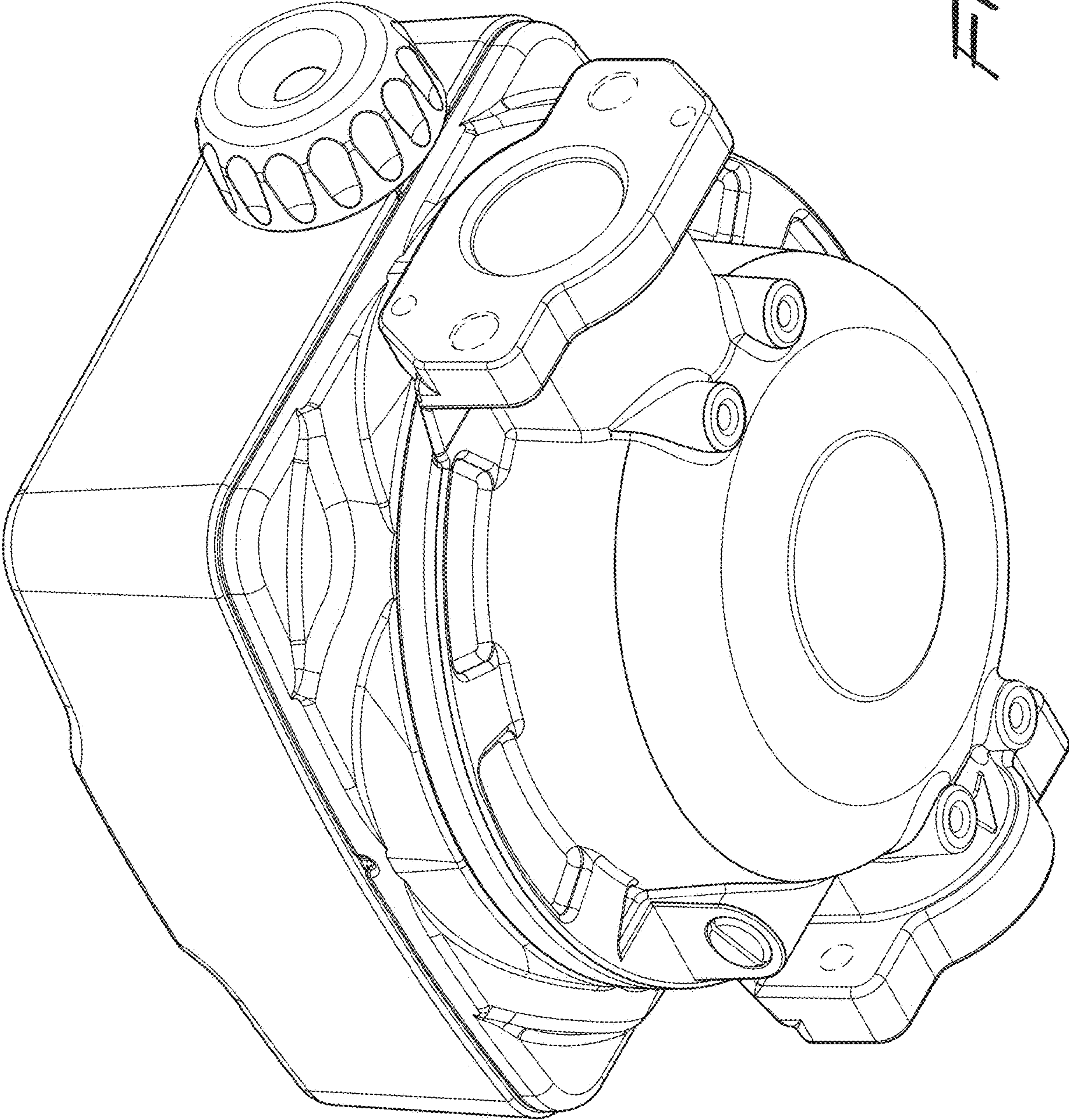


*Fig. 6*





*Fig. 7*



*Fig. 8*