



US00D960723S

(12) **United States Design Patent**
Li

(10) **Patent No.:** **US D960,723 S**

(45) **Date of Patent:** **** *Aug. 16, 2022**

(54) **WATERING CONTROLLER**

(71) Applicant: **Meihong Li, Jiangxi (CN)**

(72) Inventor: **Meihong Li, Jiangxi (CN)**

(*) Notice: This patent is subject to a terminal disclaimer.

(**) Term: **15 Years**

(21) Appl. No.: **29/700,625**

(22) Filed: **Aug. 4, 2019**

(51) **LOC (13) Cl.** **10-04**

(52) **U.S. Cl.**
USPC **D10/49; D10/40; D10/96; D23/213**

(58) **Field of Classification Search**
USPC **D10/40, 49, 96; D23/213.214**
CPC **A01G 25/16; A01G 25/162; A01G 25/165;**
A01G 25/167

See application file for complete search history.

(56) **References Cited**

U.S. PATENT DOCUMENTS

2,719,010	A *	9/1955	Erickson	B01J 21/00 241/17
D344,465	S *	2/1994	Brew	B01J 21/00 D10/96
D365,771	S *	1/1996	Clivio	A01G 25/165 D10/40
D451,411	S *	12/2001	Jacobs	A01G 25/165 D10/40

D567,680	S *	4/2008	Michael	D10/40
D657,264	S *	4/2012	Nies	D10/40
D886,644	S *	6/2020	Chen	D10/40
D886,645	S *	6/2020	Chen	D10/40
D908,512	S *	1/2021	Chen	D10/40
2006/0030971	A1 *	2/2006	Nelson	A01G 25/165 700/284
2010/0163126	A1 *	7/2010	Leer	A01G 25/165 137/624.11
2011/0226363	A1 *	9/2011	Yu	A01G 25/165 137/624.11

* cited by examiner

Primary Examiner — Antoine Duval Davis

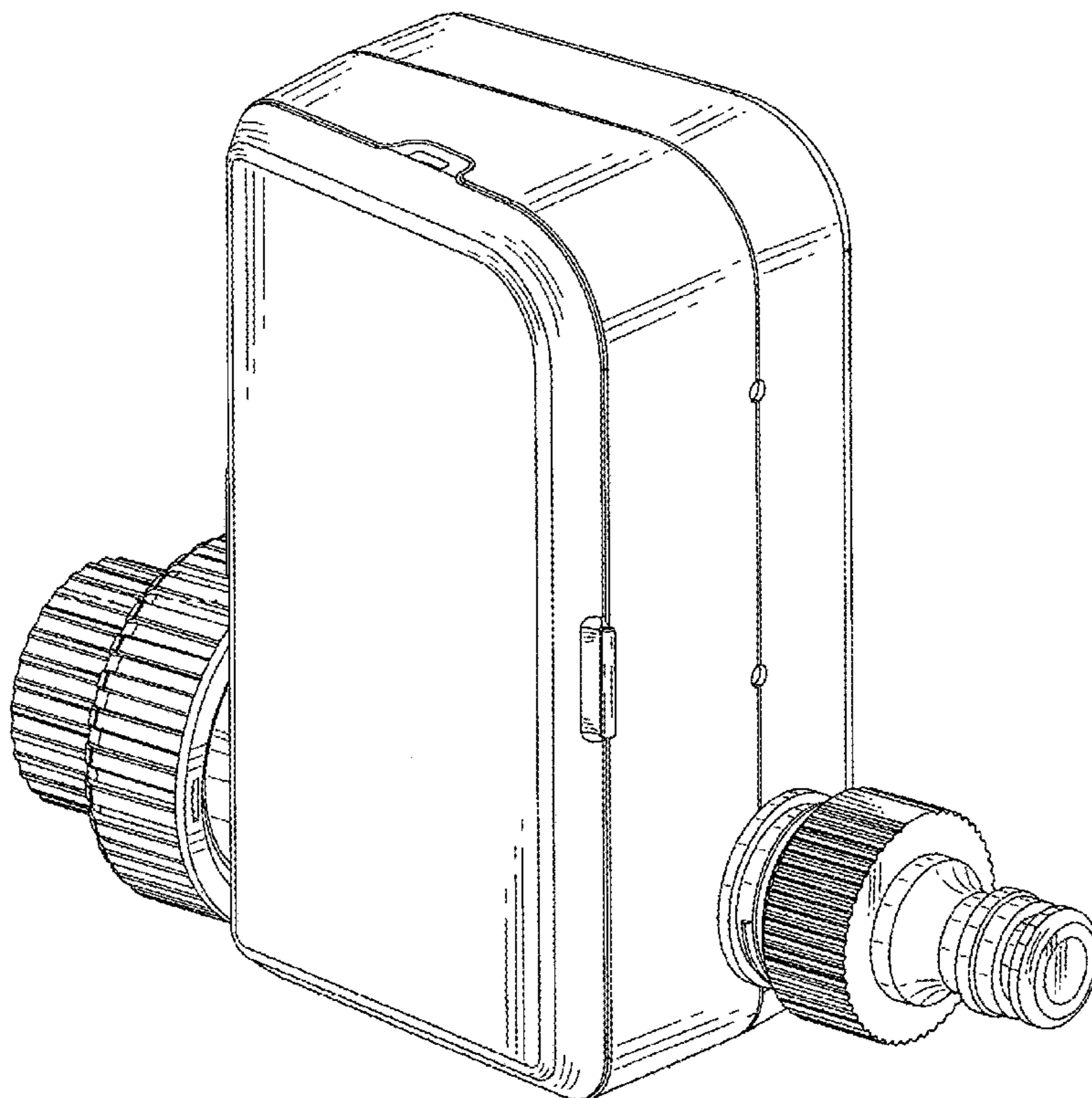
(57) **CLAIM**

I claim the ornamental design for a watering controller, as shown and described.

DESCRIPTION

FIG. 1 is a perspective view of a watering controller showing my new design;
 FIG. 2 is a front elevational view thereof;
 FIG. 3 is a rear elevational view thereof;
 FIG. 4 is a left side elevational view thereof;
 FIG. 5 is a right side elevational view thereof;
 FIG. 6 is a top plan view thereof; and,
 FIG. 7 is a bottom plan view thereof.
 The broken lines in the drawings depict portions of the watering controller that form no part of the claimed design.

1 Claim, 7 Drawing Sheets



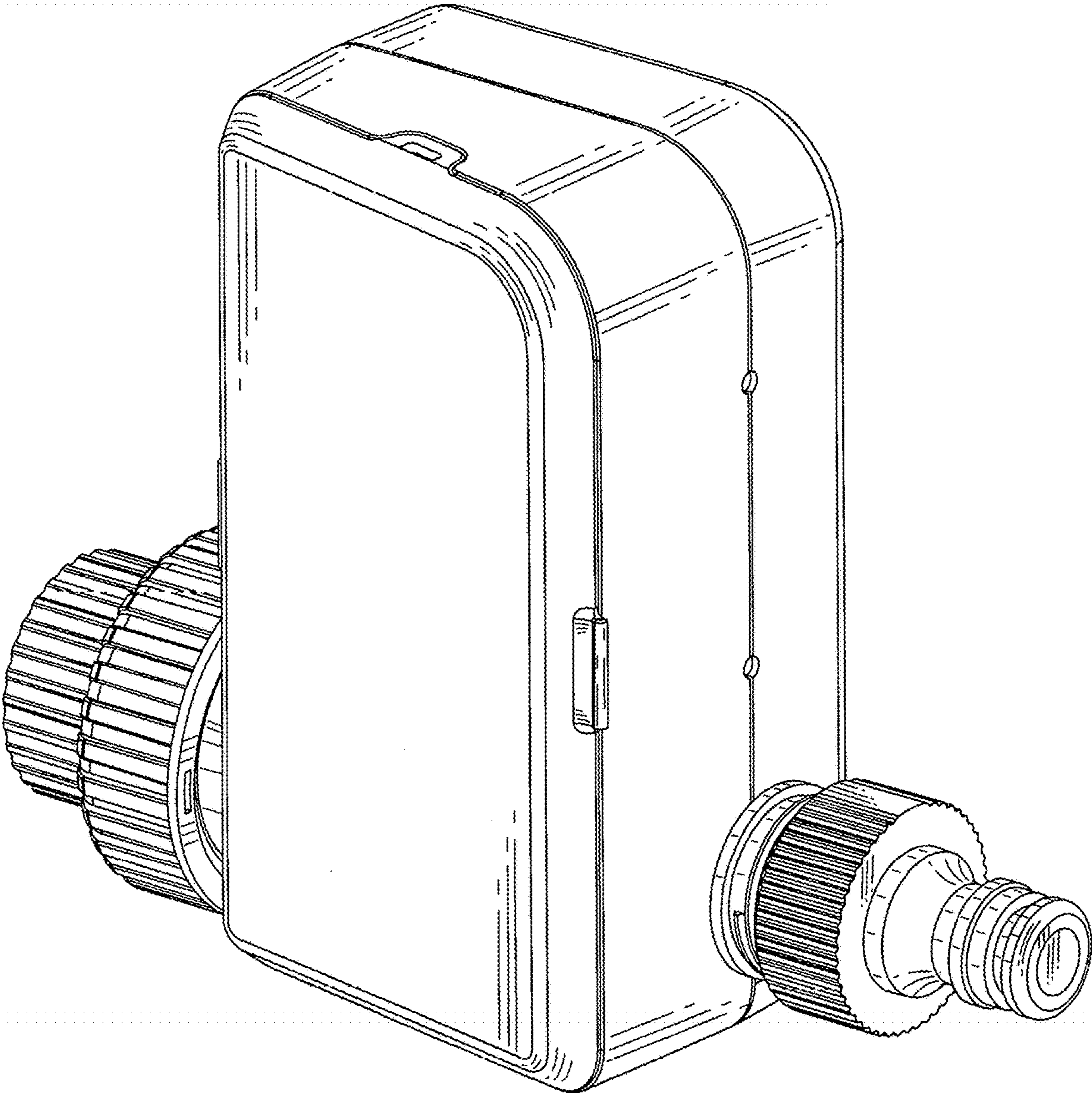


FIG. 1

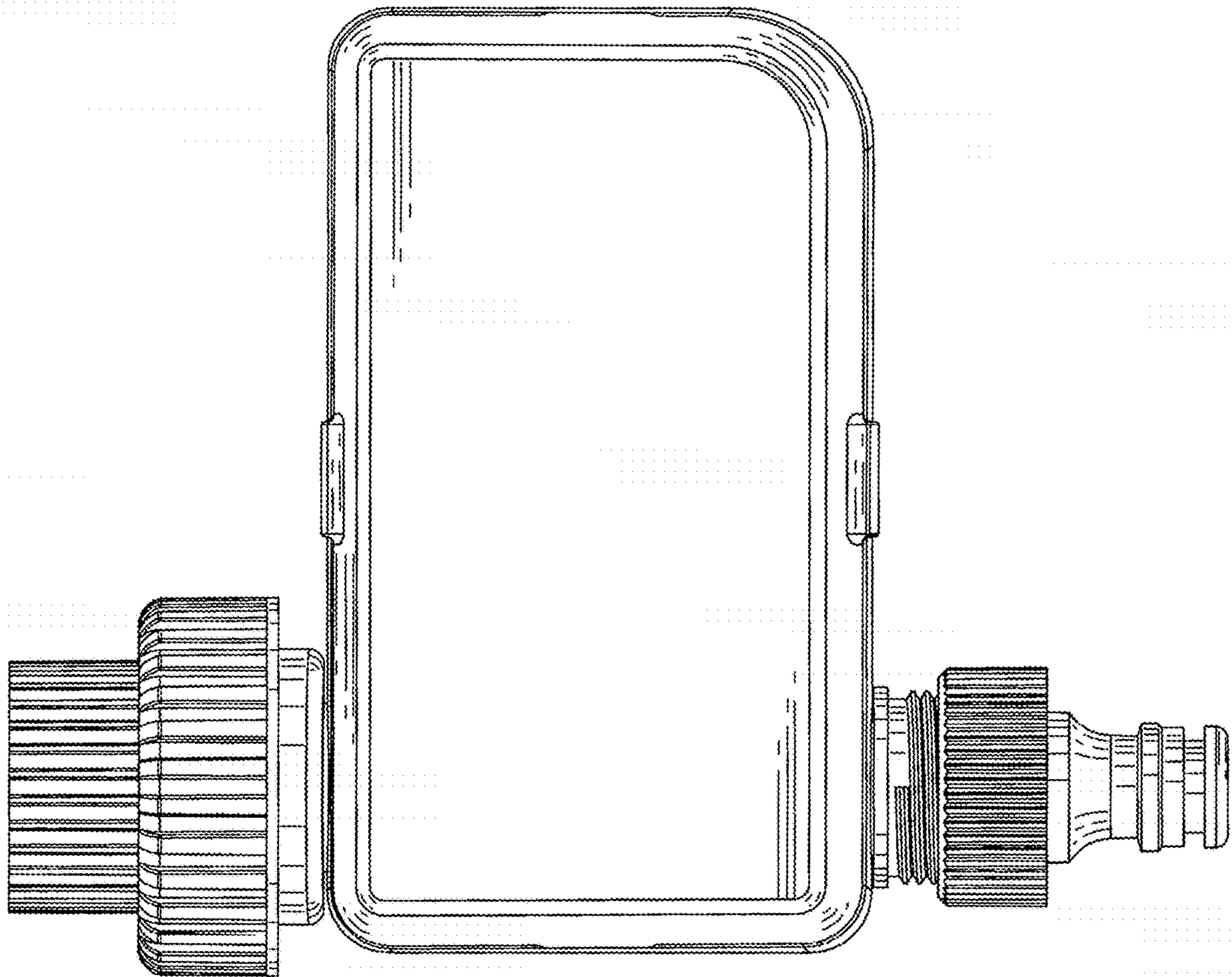


FIG. 2

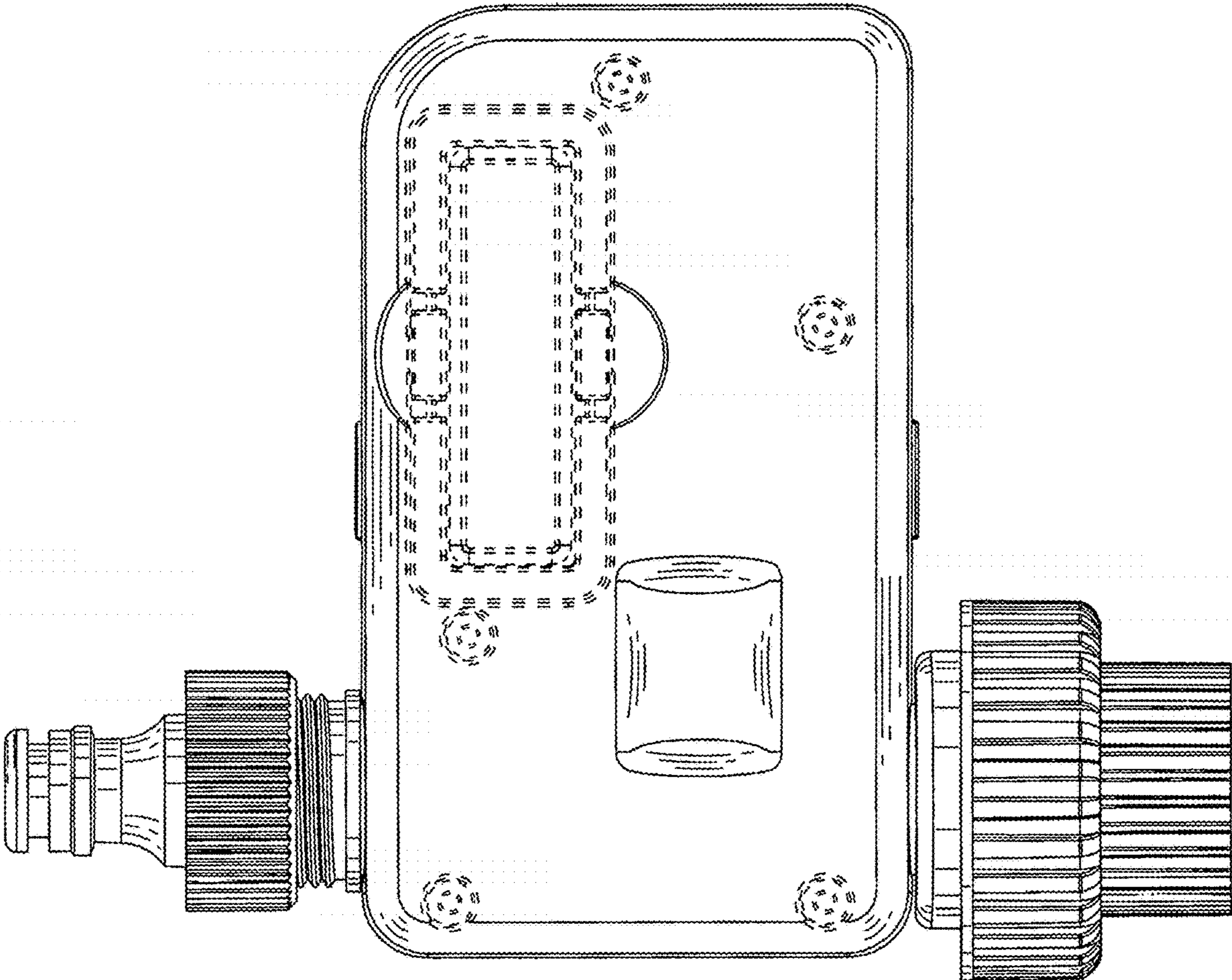


FIG. 3

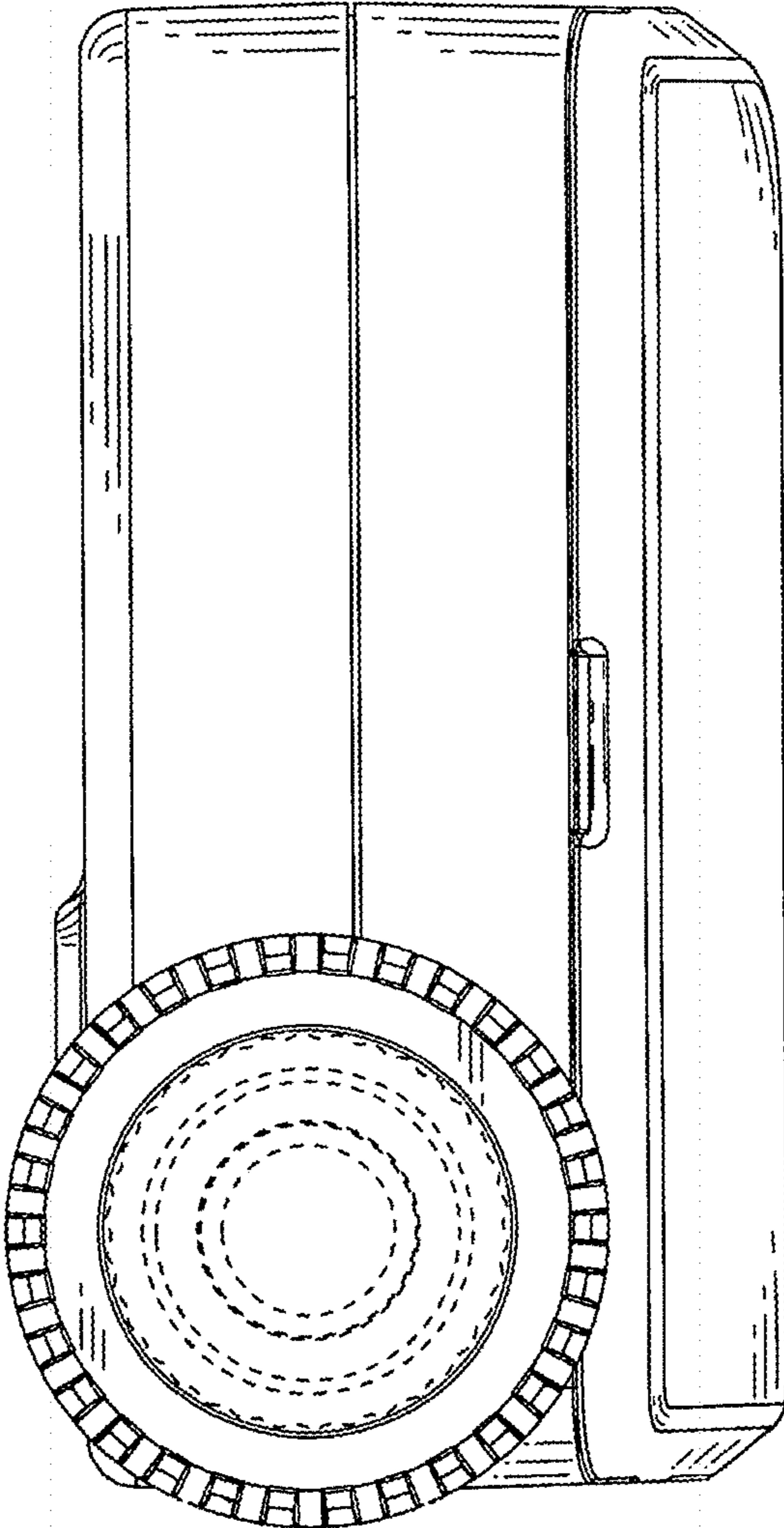


FIG. 4

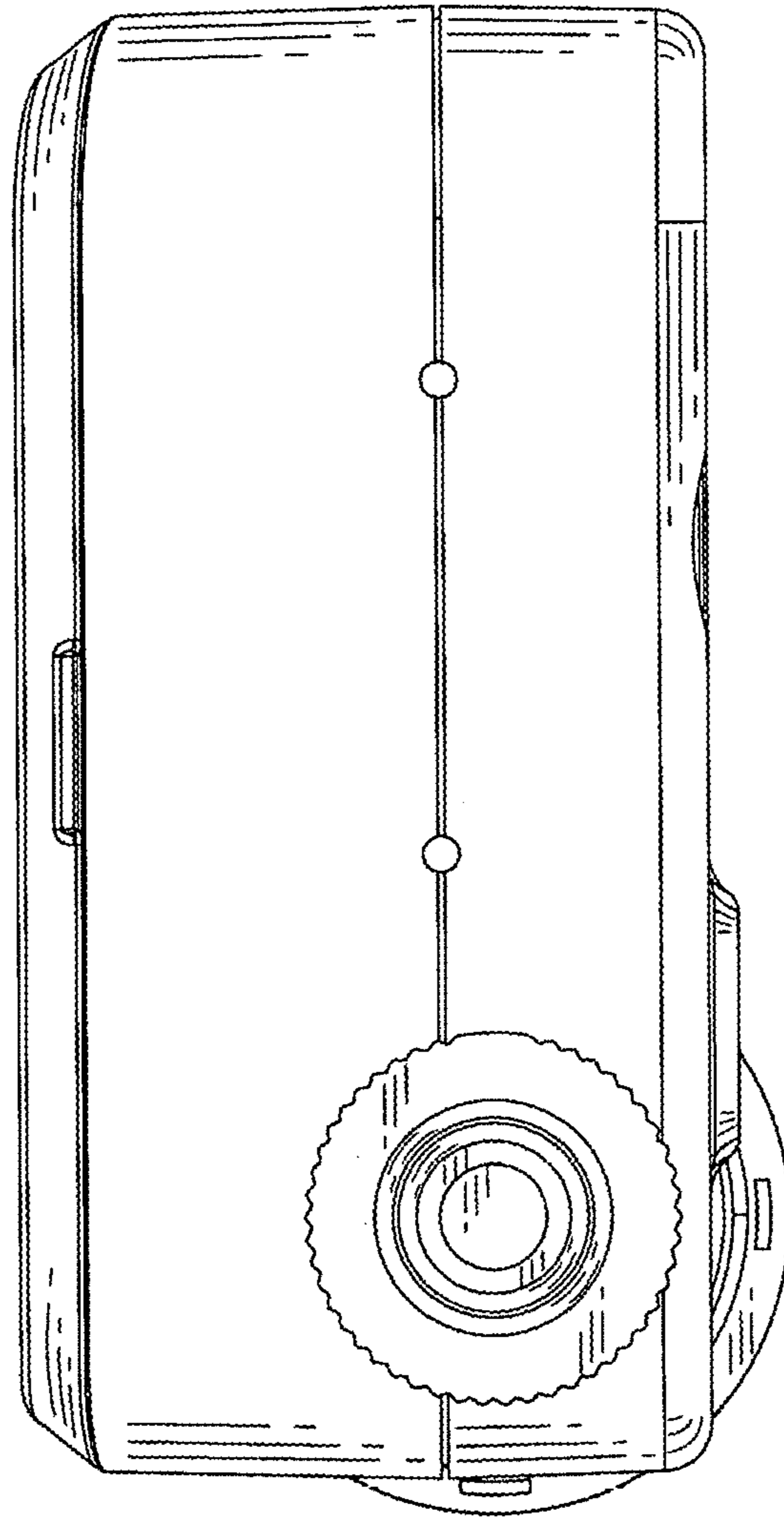


FIG. 5

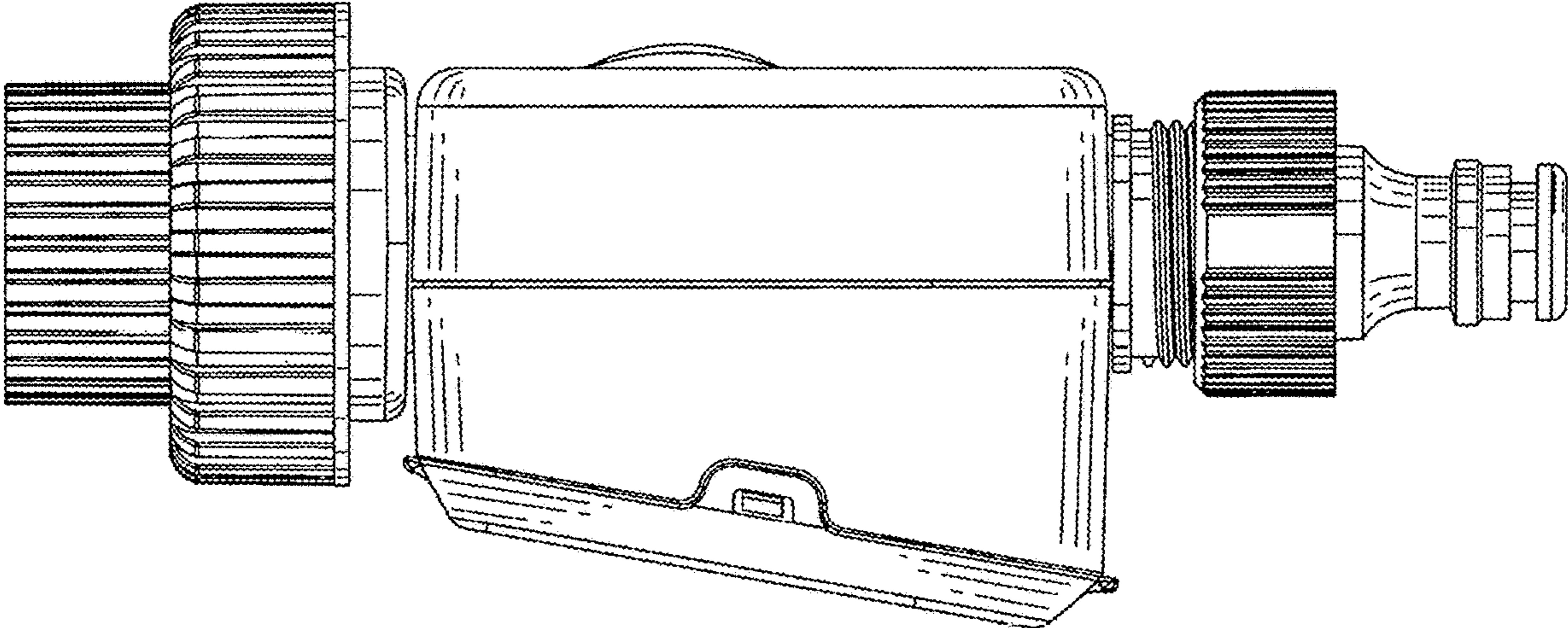


FIG. 6

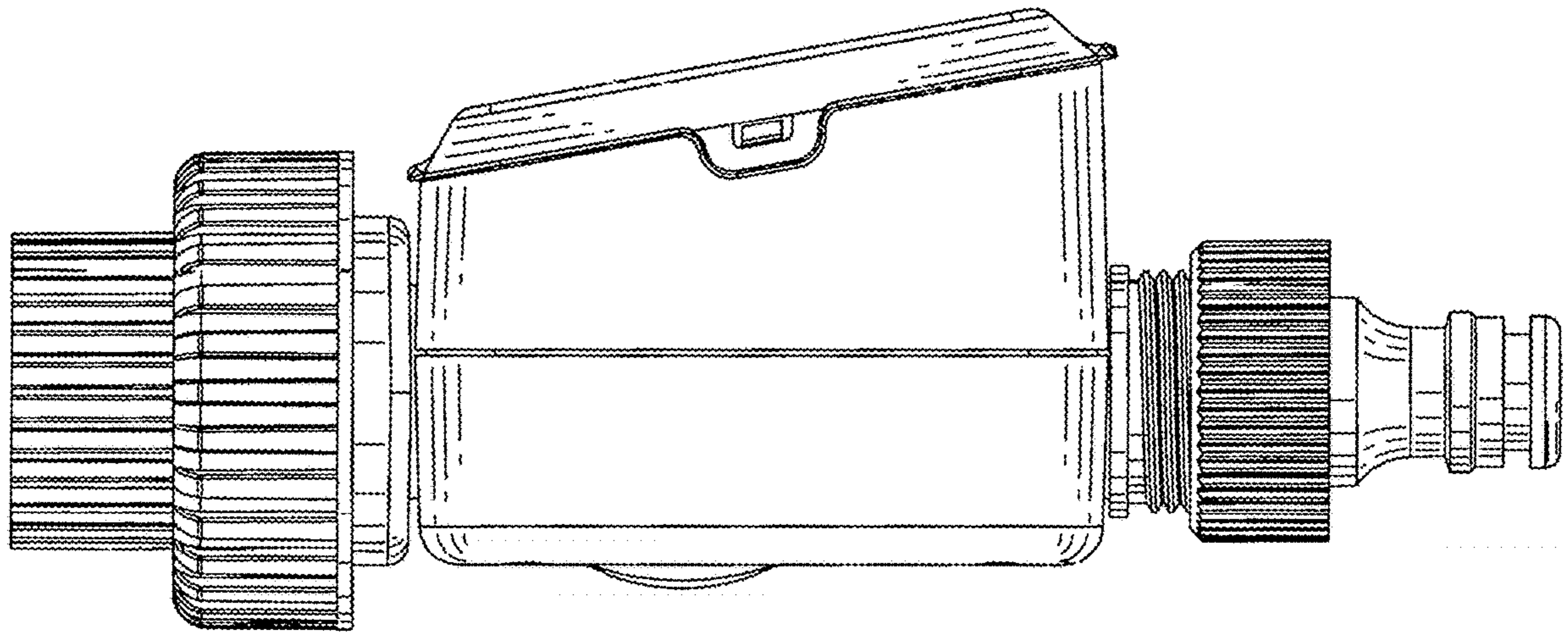


FIG. 7