



US00D960721S

(12) **United States Design Patent** (10) **Patent No.:** **US D960,721 S**
Deng (45) **Date of Patent:** **** Aug. 16, 2022**

(54) **TIMER**
(71) Applicant: **Xiang Deng**, Shenzhen (CN)
(72) Inventor: **Xiang Deng**, Shenzhen (CN)
(**) Term: **15 Years**

D620,815 S * 8/2010 Stekelenburg D10/40
D696,969 S * 1/2014 Aitken D10/40
D772,732 S * 11/2016 Lin D10/40
D873,153 S * 1/2020 Hu D10/15
2014/0292106 A1* 10/2014 Miyahara A01K 63/06
307/116

(21) Appl. No.: **29/740,404**
(22) Filed: **Jul. 3, 2020**
(51) **LOC (13) Cl.** **10-03**
(52) **U.S. Cl.**
USPC **D10/40; D13/137.3**
(58) **Field of Classification Search**
USPC D10/1-2, 15, 24-27, 40-41, 46.1;
D13/199, 137.1-137.3, 162, 168-169
CPC G04G 17/00; G04G 17/05; G04G 17/08;
G04G 17/083; G04G 21/02; G04G
21/025; H01H 43/00; H01H 43/02; H01H
43/022; H01H 43/028
See application file for complete search history.

FOREIGN PATENT DOCUMENTS

CN 202030352127.6 * 7/2020

* cited by examiner

Primary Examiner — Katherine Glennon

(57) **CLAIM**

The ornamental design for a timer, as shown and described.

DESCRIPTION

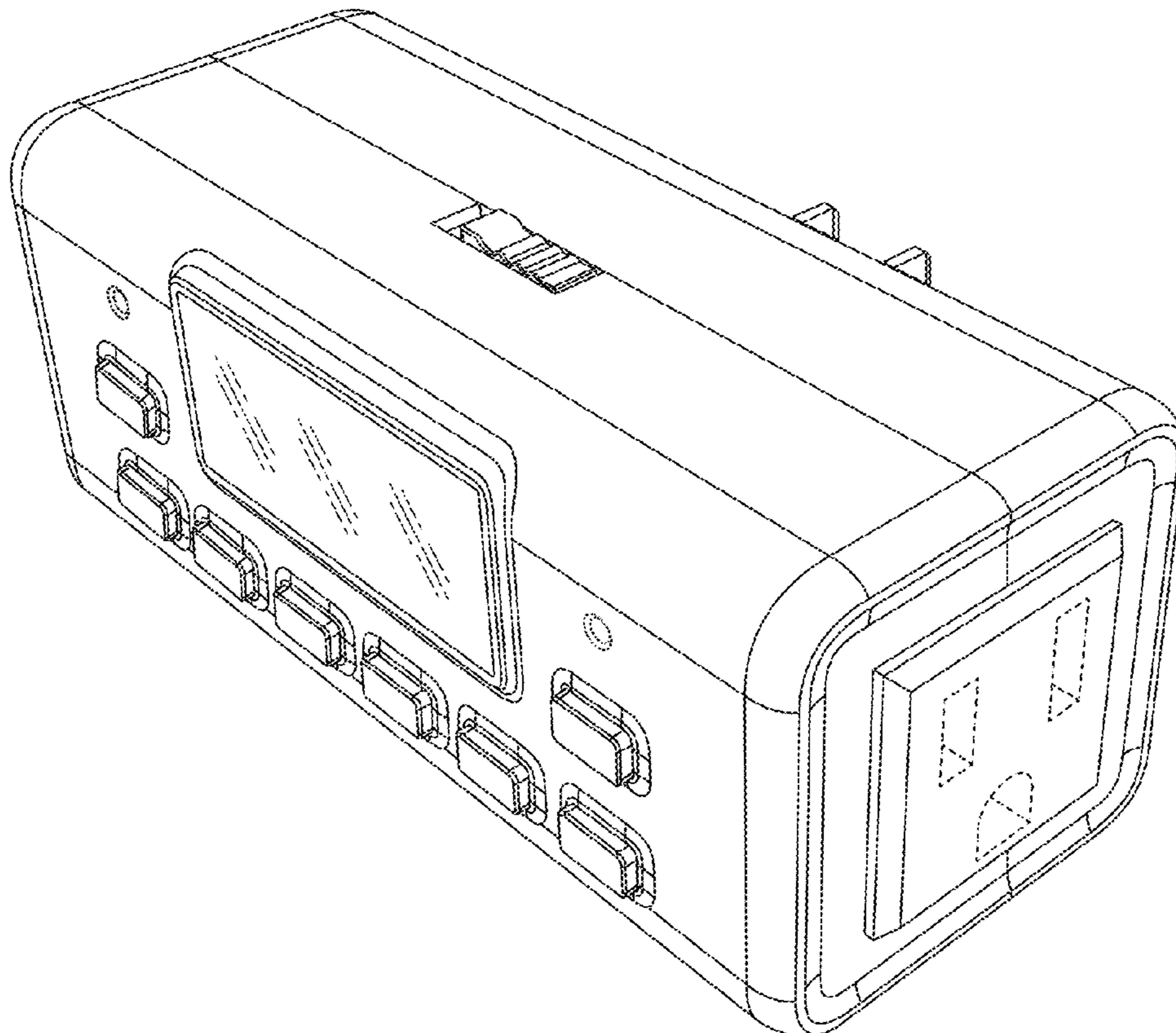
FIG. 1 is a front and top perspective view of a timer, showing my new design;
FIG. 2 is a front elevational view thereof;
FIG. 3 is a rear elevational view thereof;
FIG. 4 is a left side elevational view thereof;
FIG. 5 is a right side elevational view thereof;
FIG. 6 is a top plan view thereof; and,
FIG. 7 is a bottom plan view thereof.
The broken lines in the figures illustrate portions of the article that form no part of the claimed design.

(56) **References Cited**

U.S. PATENT DOCUMENTS

D368,227 S * 3/1996 Danko D10/2
6,356,425 B1 * 3/2002 Jung H02H 3/085
361/103
D513,999 S * 1/2006 Echito D10/40
D567,119 S * 4/2008 Ni D10/40
D605,962 S * 12/2009 Tsou D10/100

1 Claim, 6 Drawing Sheets



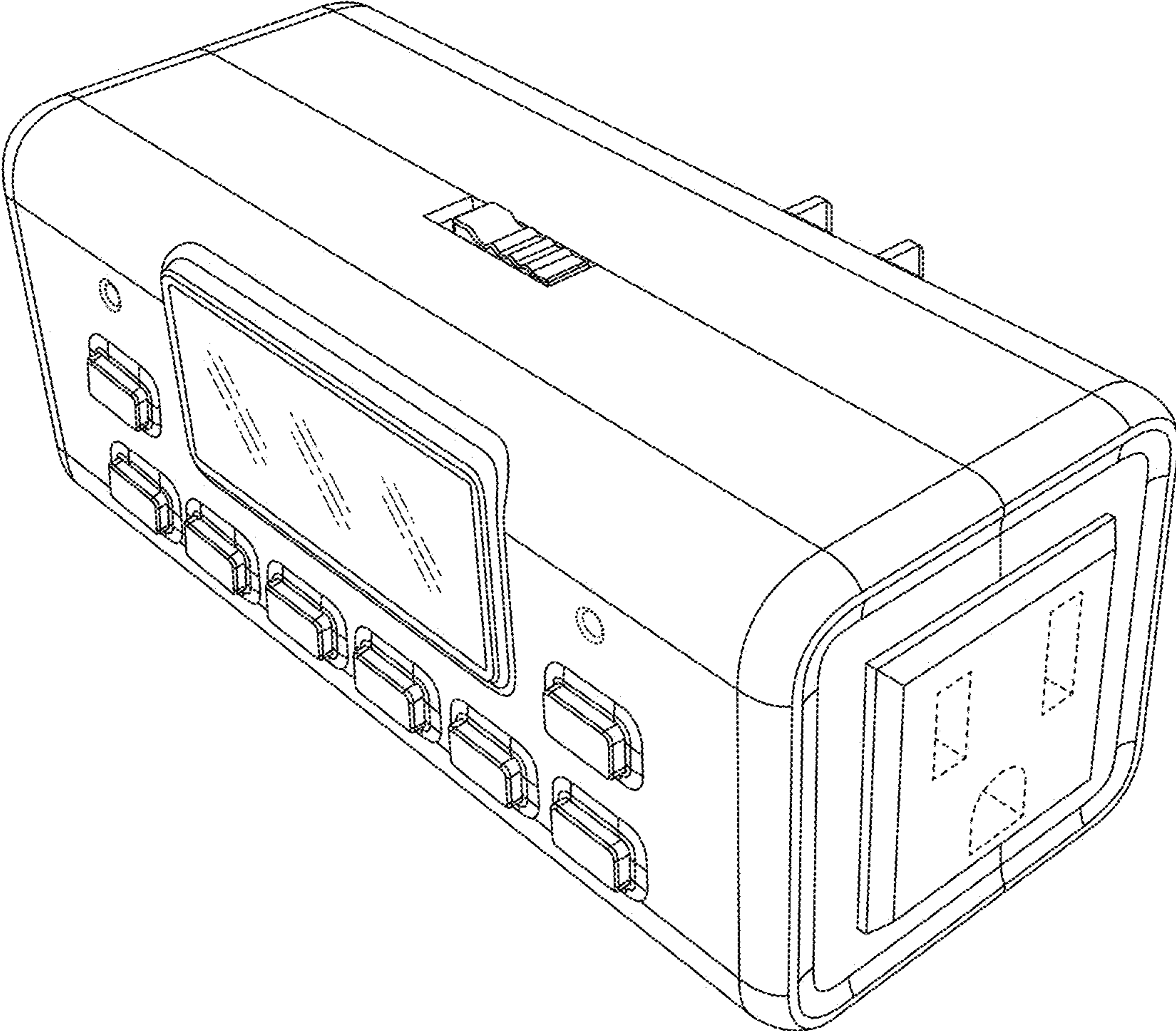


FIG. 1

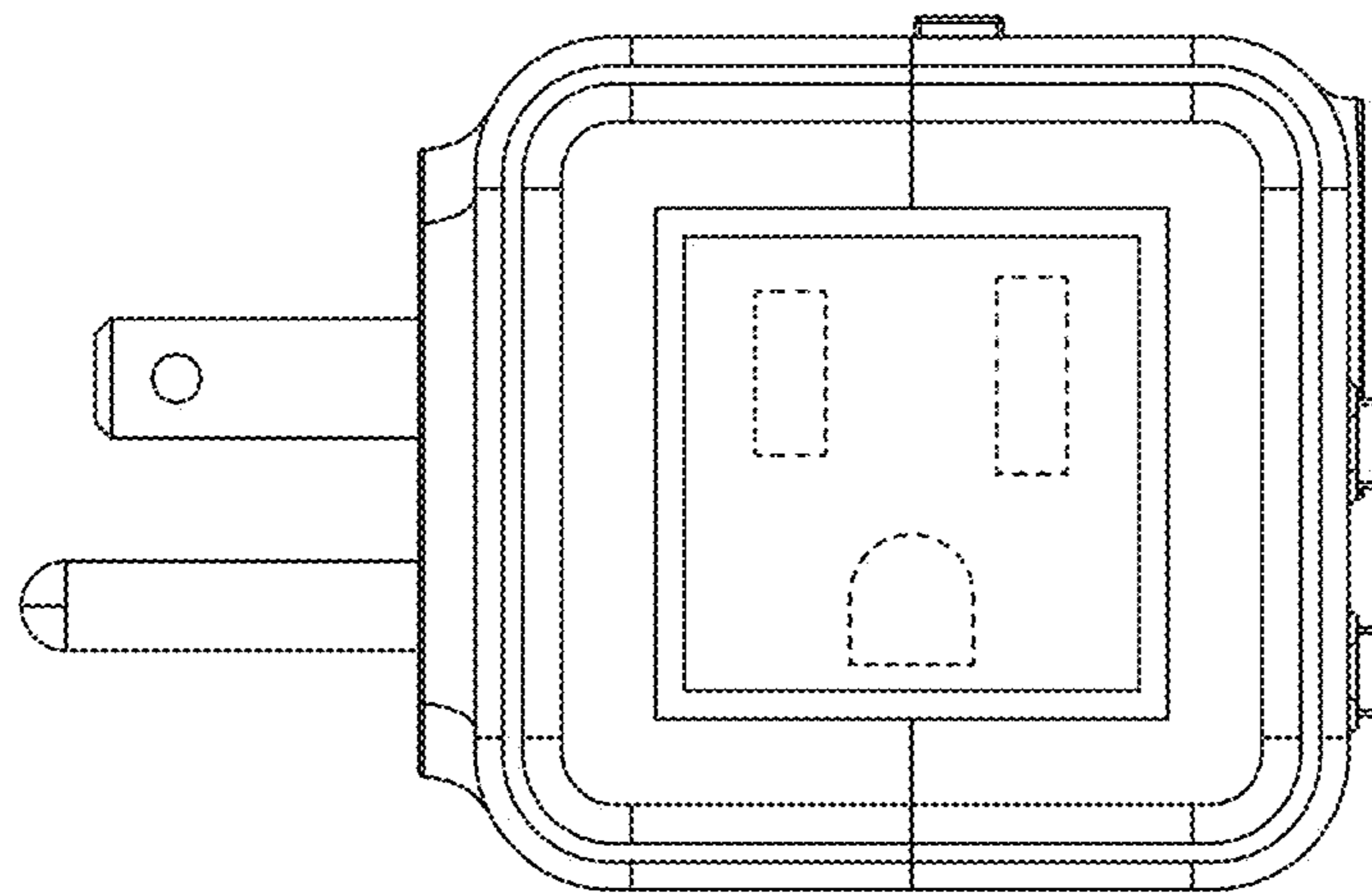


FIG. 2

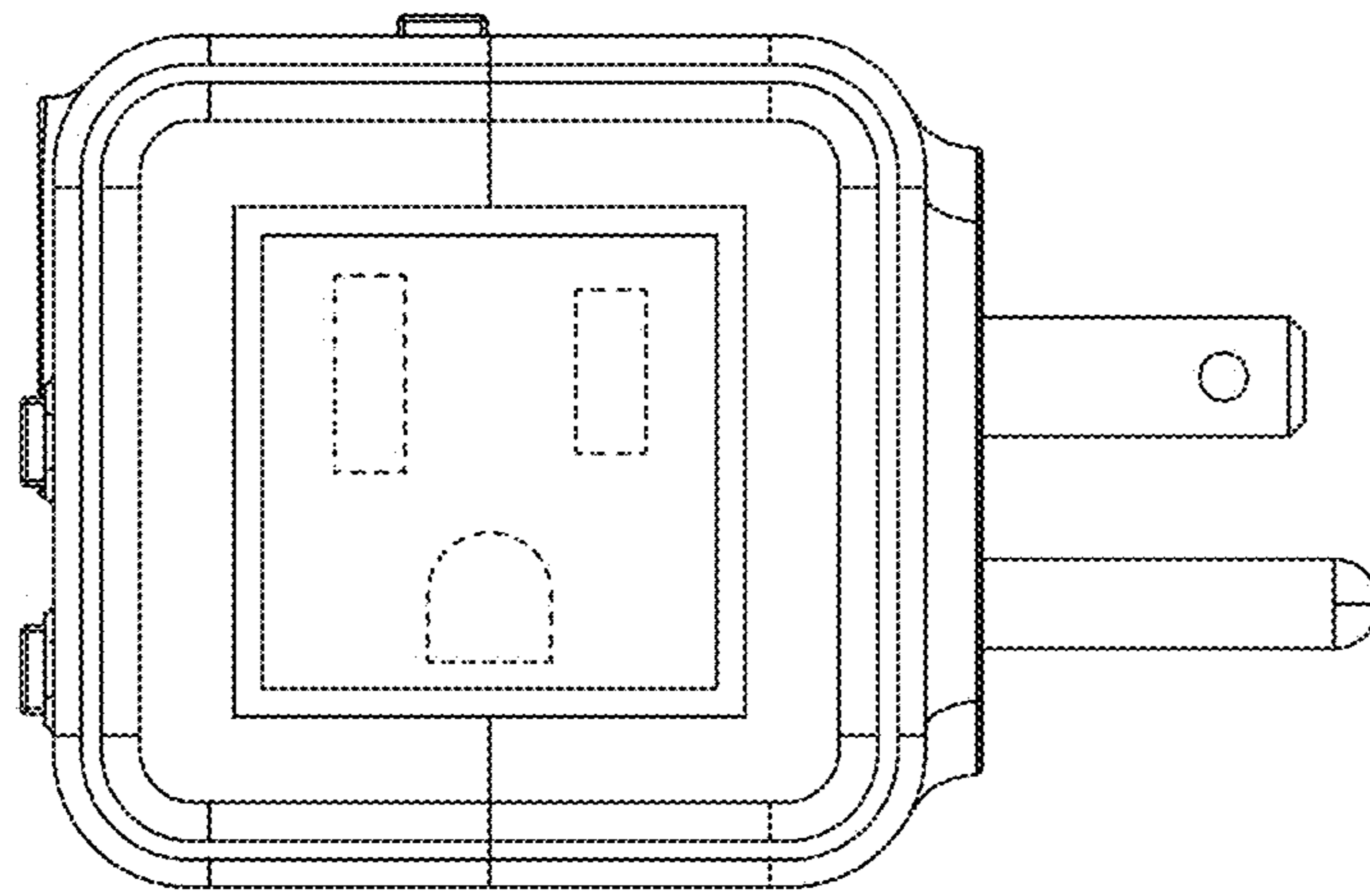


FIG. 3

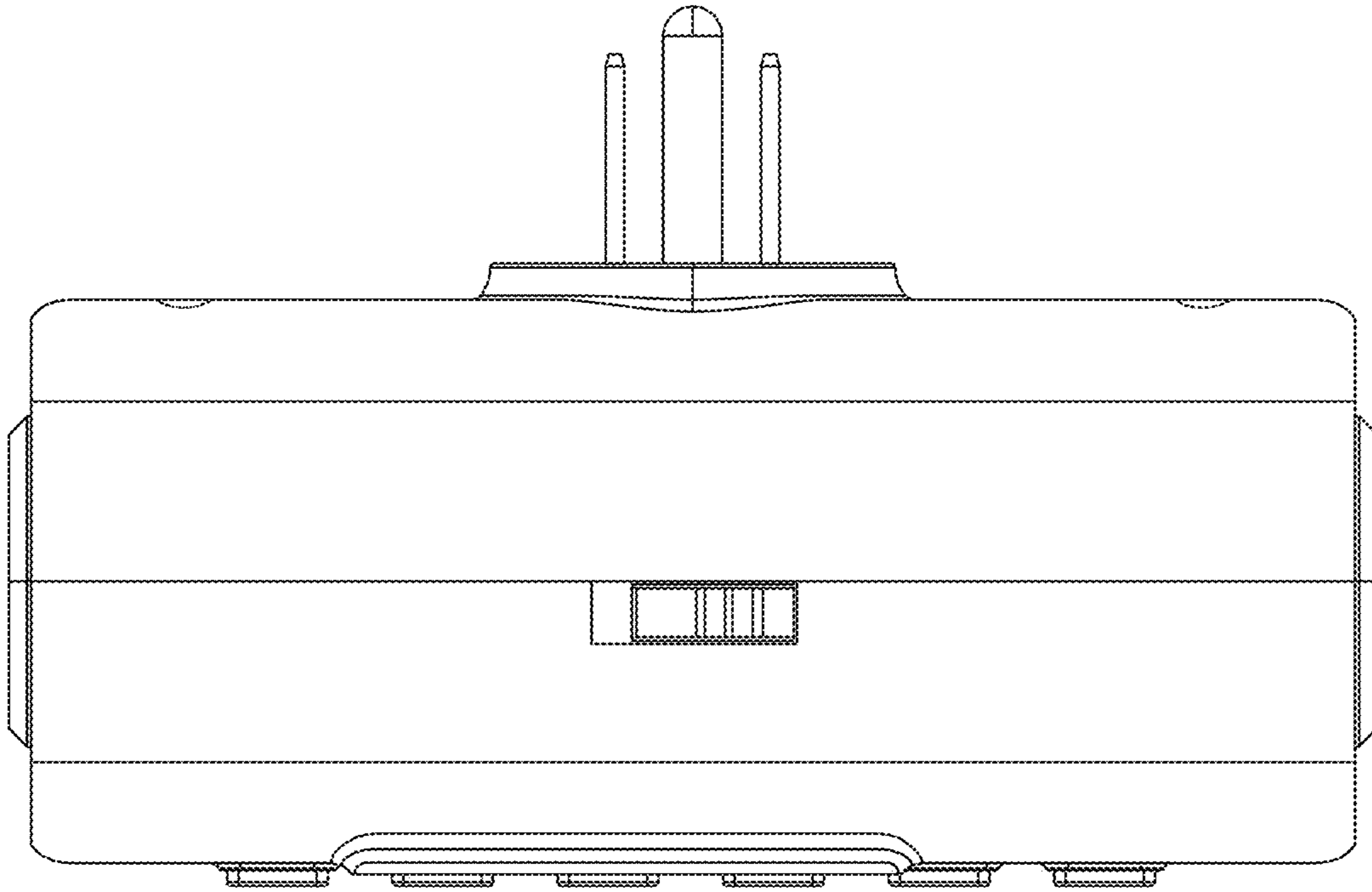


FIG. 4

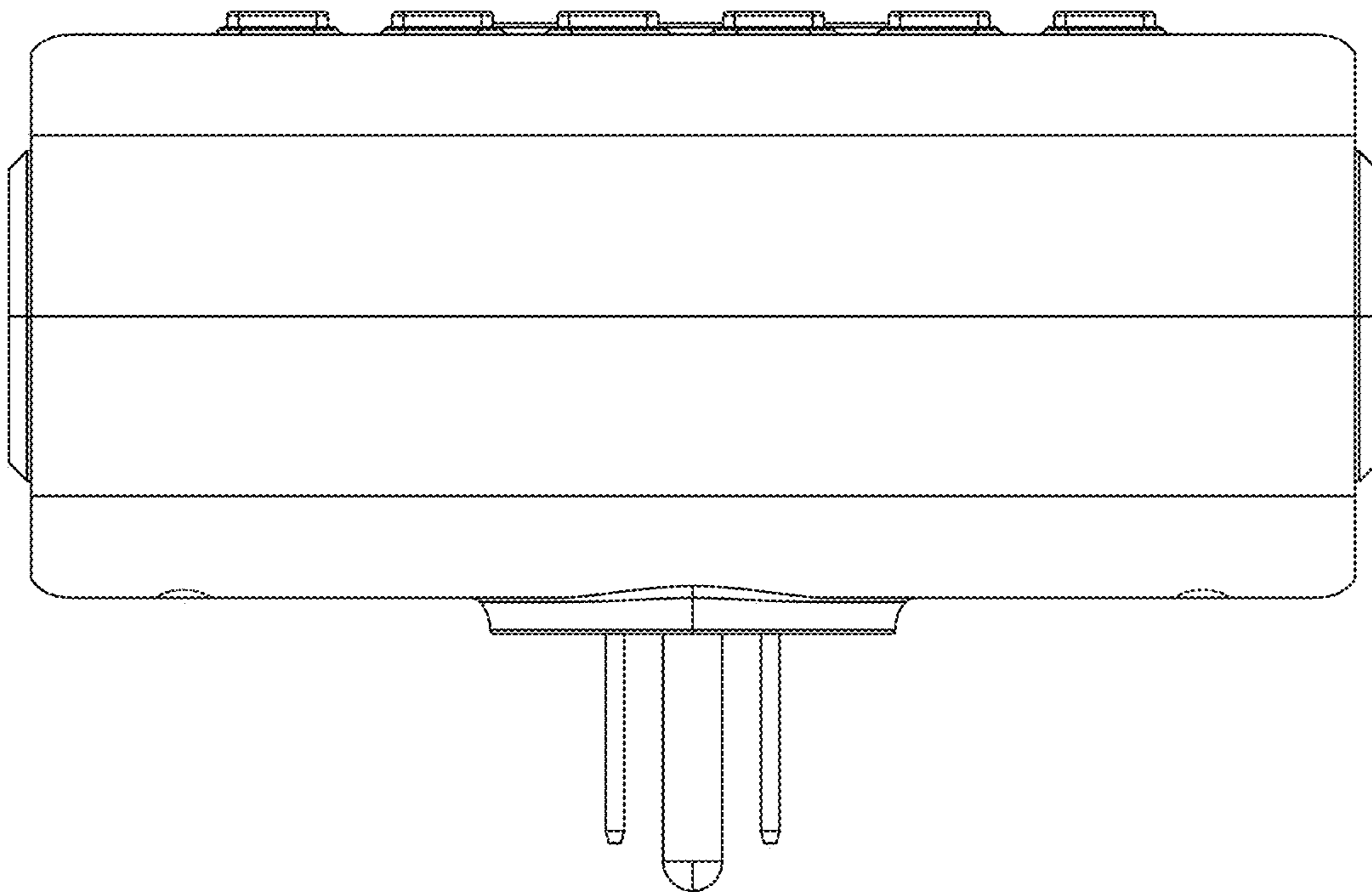


FIG. 5

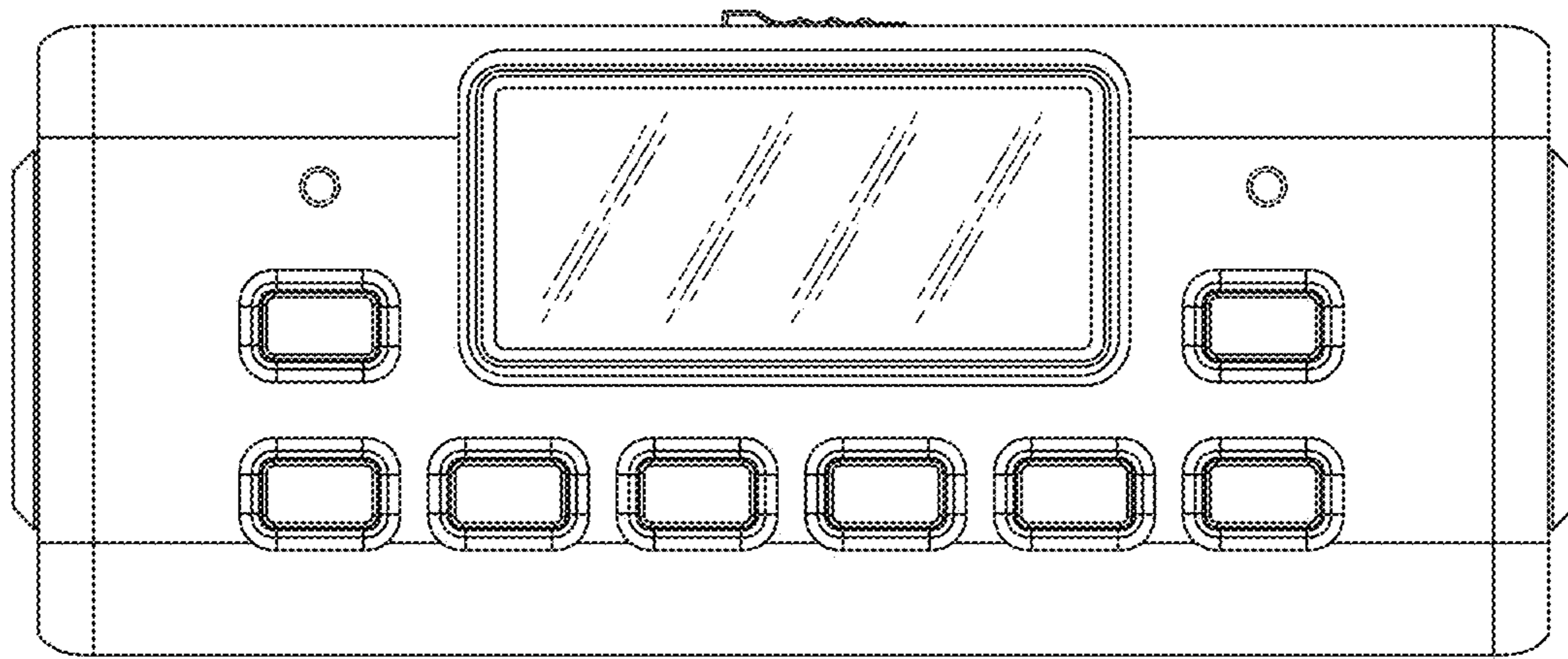


FIG. 6

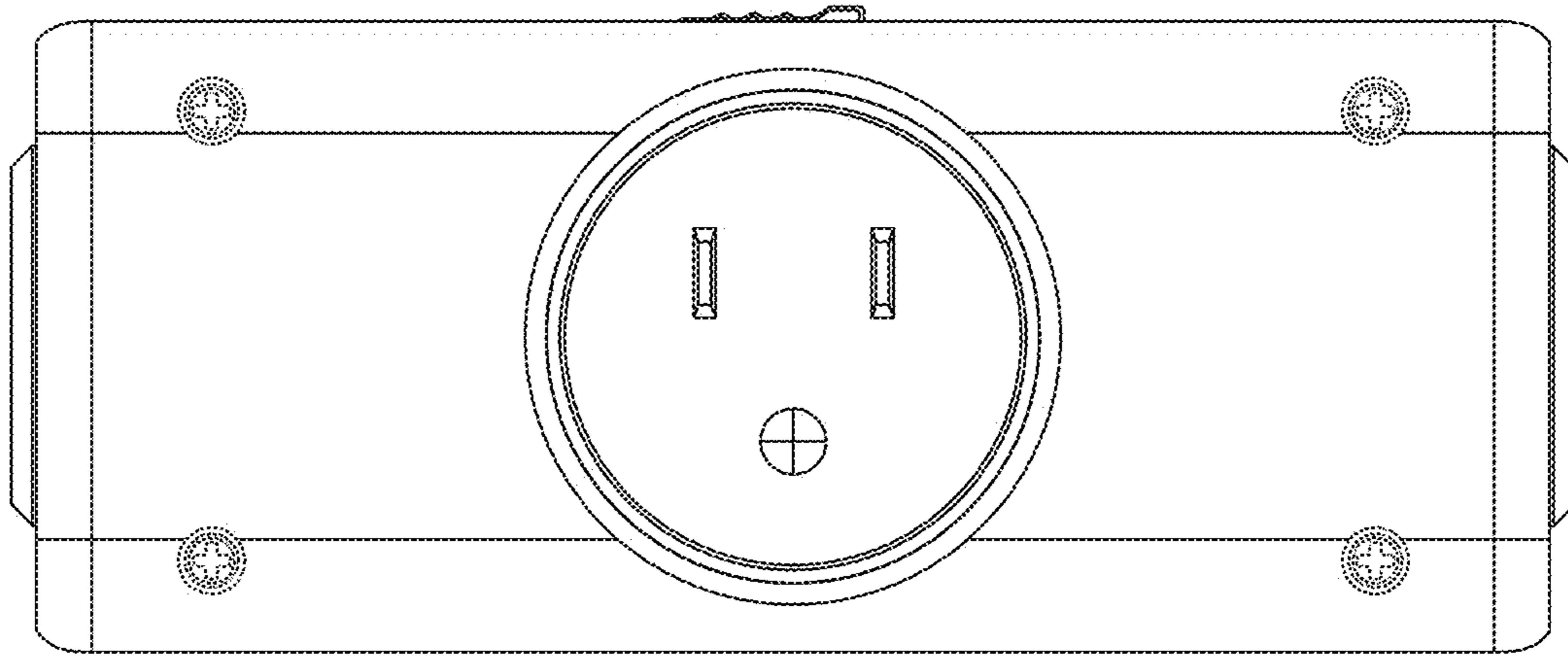


FIG. 7