

US00D960720S

(12) **United States Design Patent** (10) **Patent No.:** **US D960,720 S**
Tysander (45) **Date of Patent:** **** Aug. 16, 2022**

(54) **WRIST WATCH**
 (71) Applicant: **Daniel Wellington AB**, Stockholm (SE)
 (72) Inventor: **Filip Tysander**, Stockholm (SE)
 (73) Assignee: **Daniel Wellington AB**, Stockholm (SE)
 (**) Term: **15 Years**
 (21) Appl. No.: **35/511,012**

D818,377 S * 5/2018 Buonamassa Stigliani ... D10/39
 D902,744 S * 11/2020 Cazzola D10/32
 D912,538 S * 3/2021 Tysander D10/32
 D917,304 S * 4/2021 Cabral D10/32
 D920,136 S * 5/2021 Candamil D10/39

FOREIGN PATENT DOCUMENTS

EM 008283774-0001 A1 11/2020
 EM 008604185-0001 A1 7/2021
 EM 008604185-0002 A1 7/2021
 EM 008604185-0003 A1 7/2021

* cited by examiner

(22) Filed: **Dec. 11, 2020**

(80) **Hague Agreement Data**

Int. Filing Date: **Dec. 11, 2020**
 Int. Reg. No.: **DM/211740**
 Int. Reg. Date: **Dec. 11, 2020**
 Int. Reg. Pub. Date: **Dec. 25, 2020**

Primary Examiner — George D. Kirschbaum
 (74) *Attorney, Agent, or Firm* — Ronald M. Kachmarik;
 Cooper Legal Group, LLC

(57) **CLAIM**

The ornamental design for a wrist watch, as shown and described.

(30) **Foreign Application Priority Data**

Jun. 15, 2020 (EM) 008005334

(51) **LOC (13) Cl.** **10-02**

(52) **U.S. Cl.**
USPC **D10/39**

(58) **Field of Classification Search**
USPC D10/32, 38, 39
See application file for complete search history.

(56) **References Cited**

U.S. PATENT DOCUMENTS

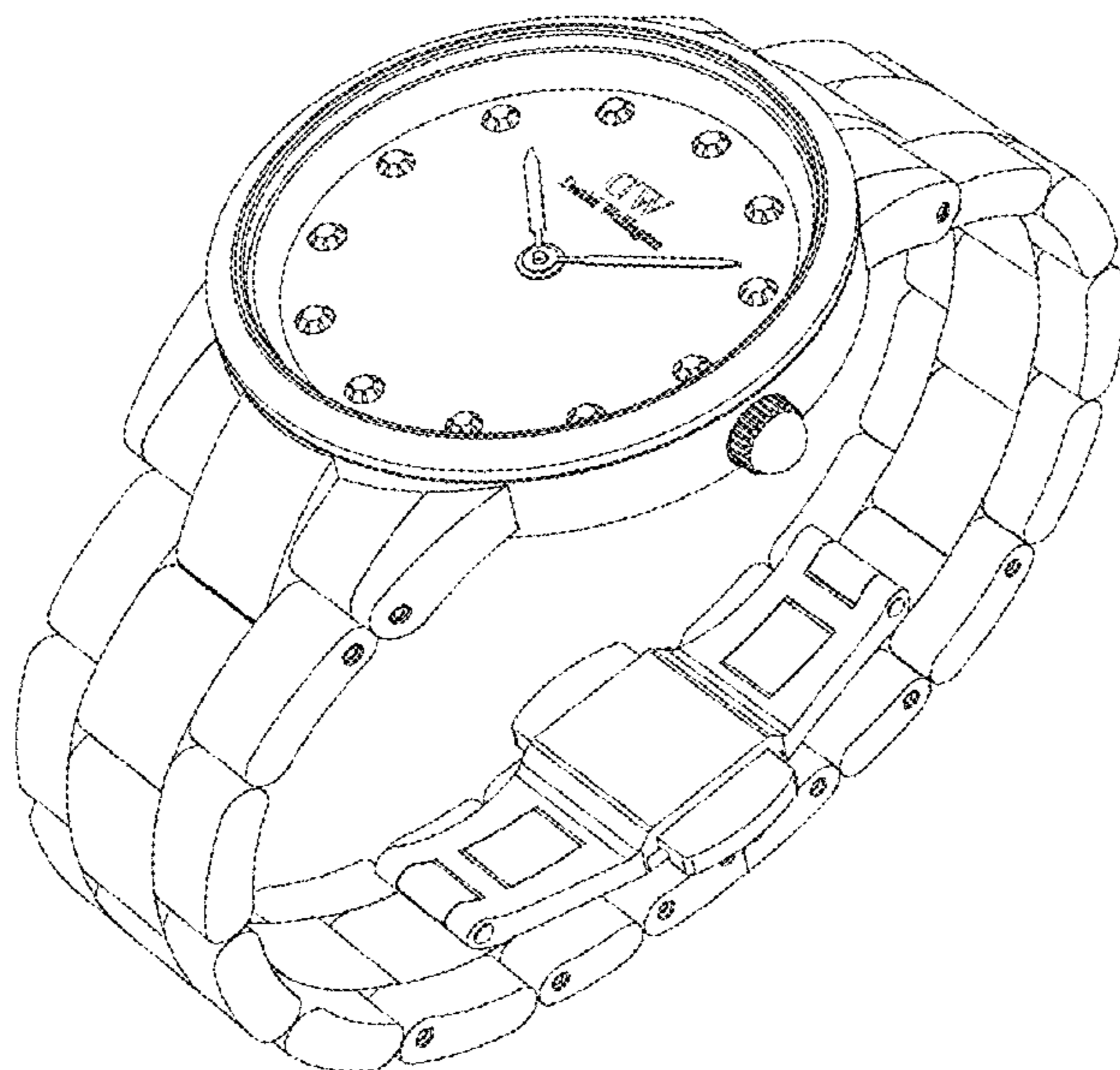
D329,612 S * 9/1992 Hysek D10/30
 D354,918 S * 1/1995 Wunderman D11/19
 D585,310 S * 1/2009 Allison D10/39
 D617,662 S * 6/2010 Monachon D10/32
 D702,567 S * 4/2014 Monachon D10/32
 D703,552 S * 4/2014 Monachon D10/32
 D706,143 S * 6/2014 Monachon D10/32
 D785,470 S * 5/2017 White D10/30

DESCRIPTION

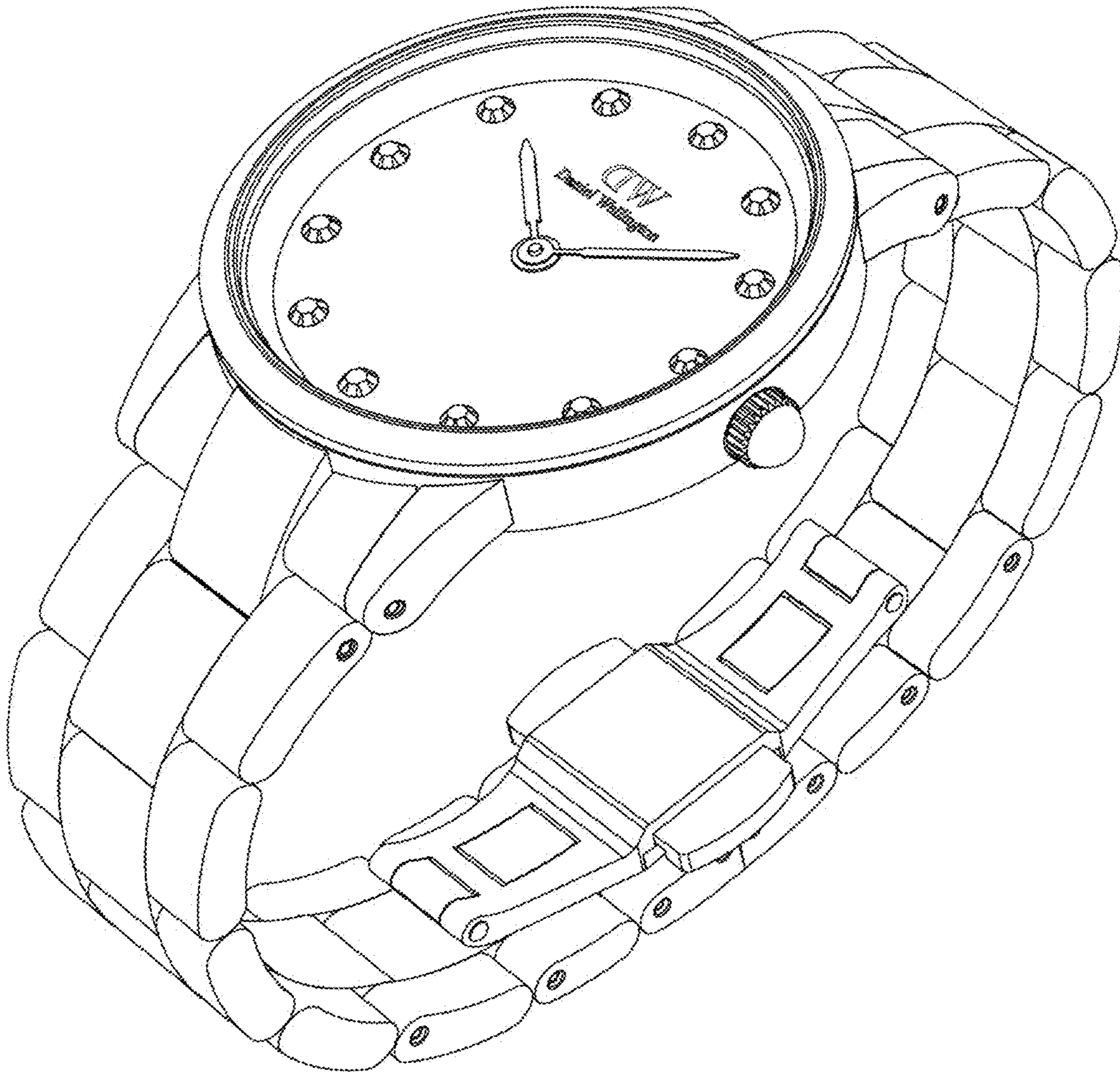
- 1.-2. Wrist watch
- 1.1 : Perspective
- 1.2 : Front
- 1.3 : Right
- 1.4 : Top
- 1.5 : Bottom
- 1.6 : Left
- 1.7 : Back
- 2.1 : Perspective
- 2.2 : Front
- 2.3 : Right
- 2.4 : Top
- 2.5 : Bottom
- 2.6 : Left
- 2.7 : Back

The designs show a wrist watch.

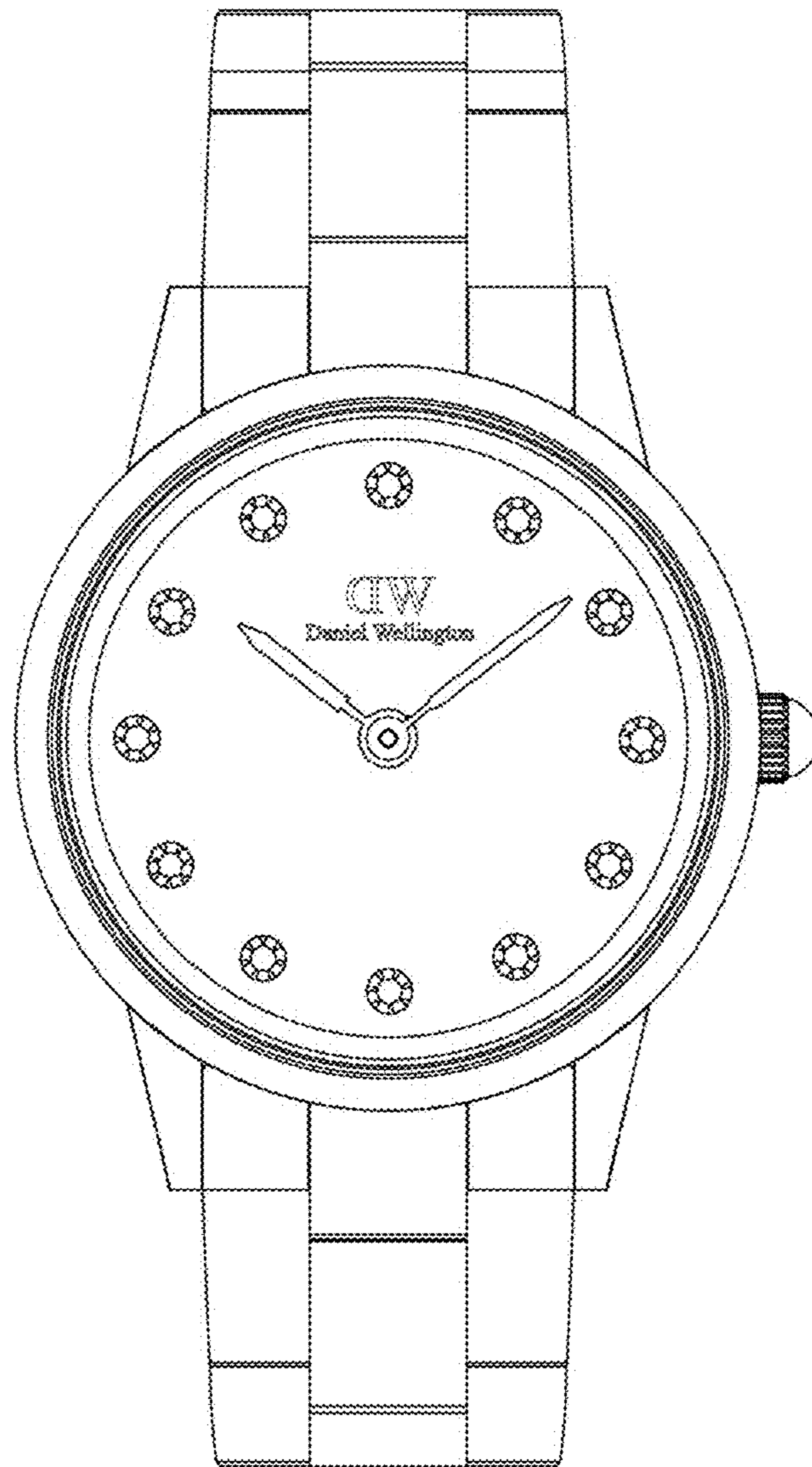
1 Claim, 14 Drawing Sheets



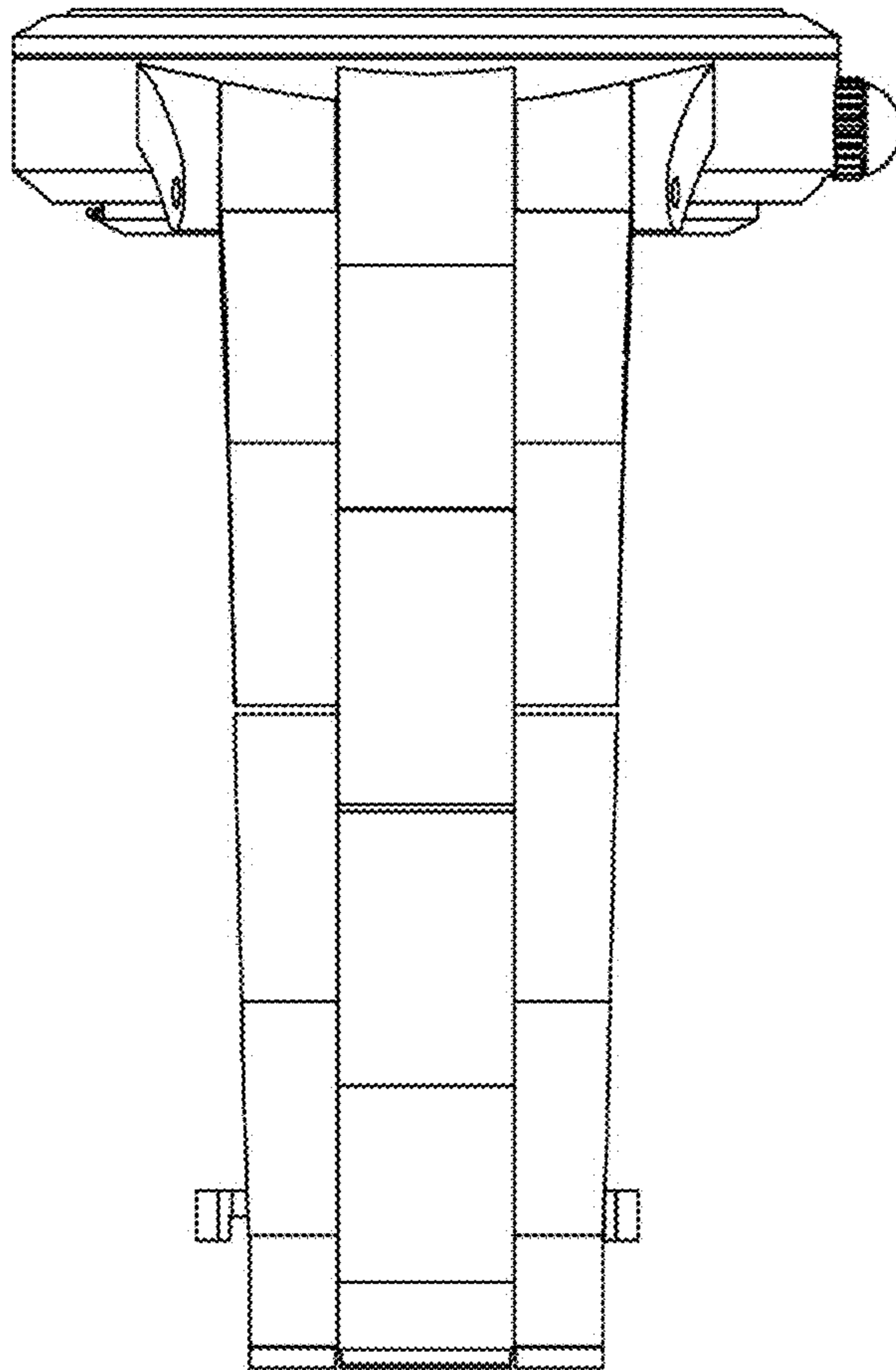
1.1



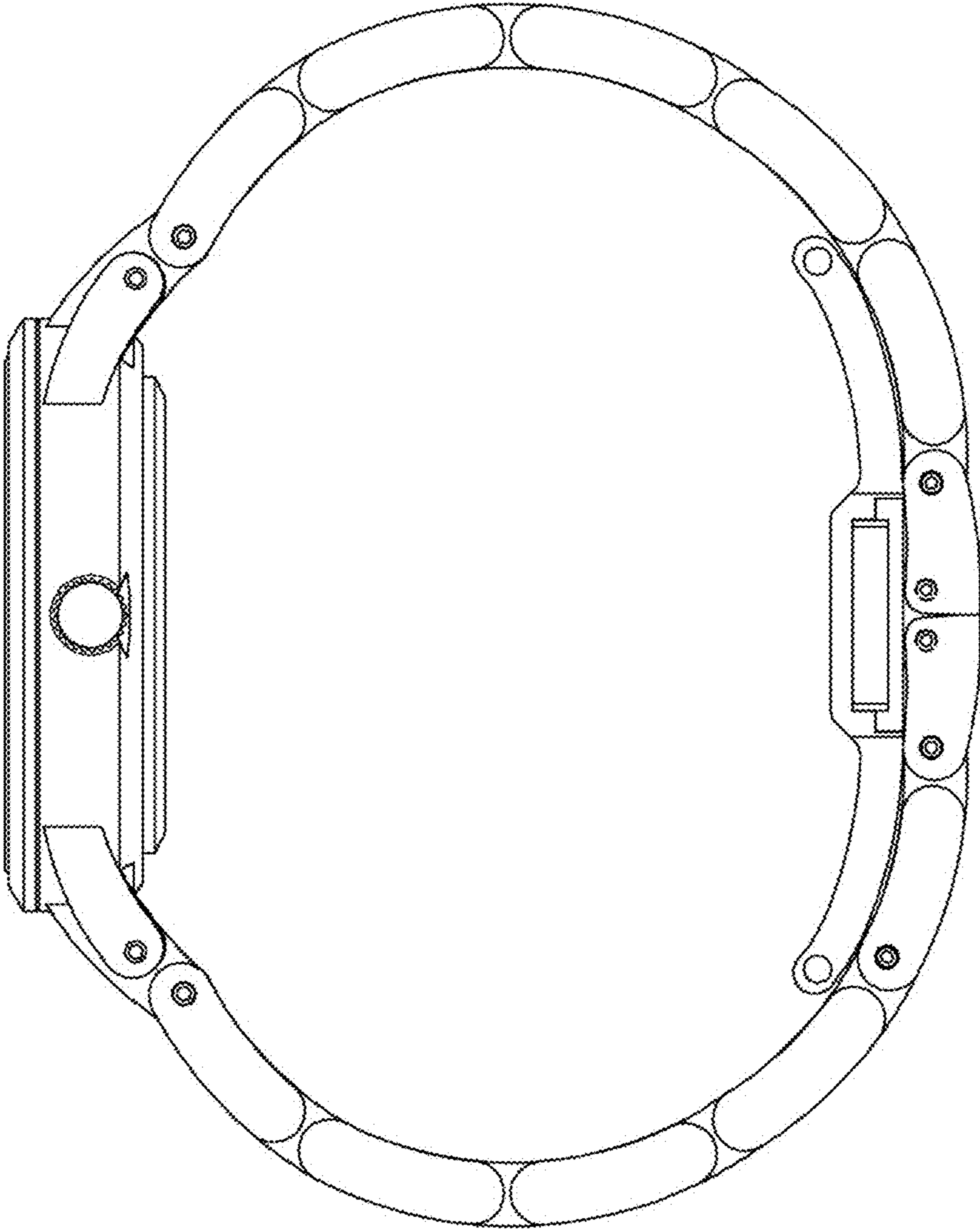
1.2



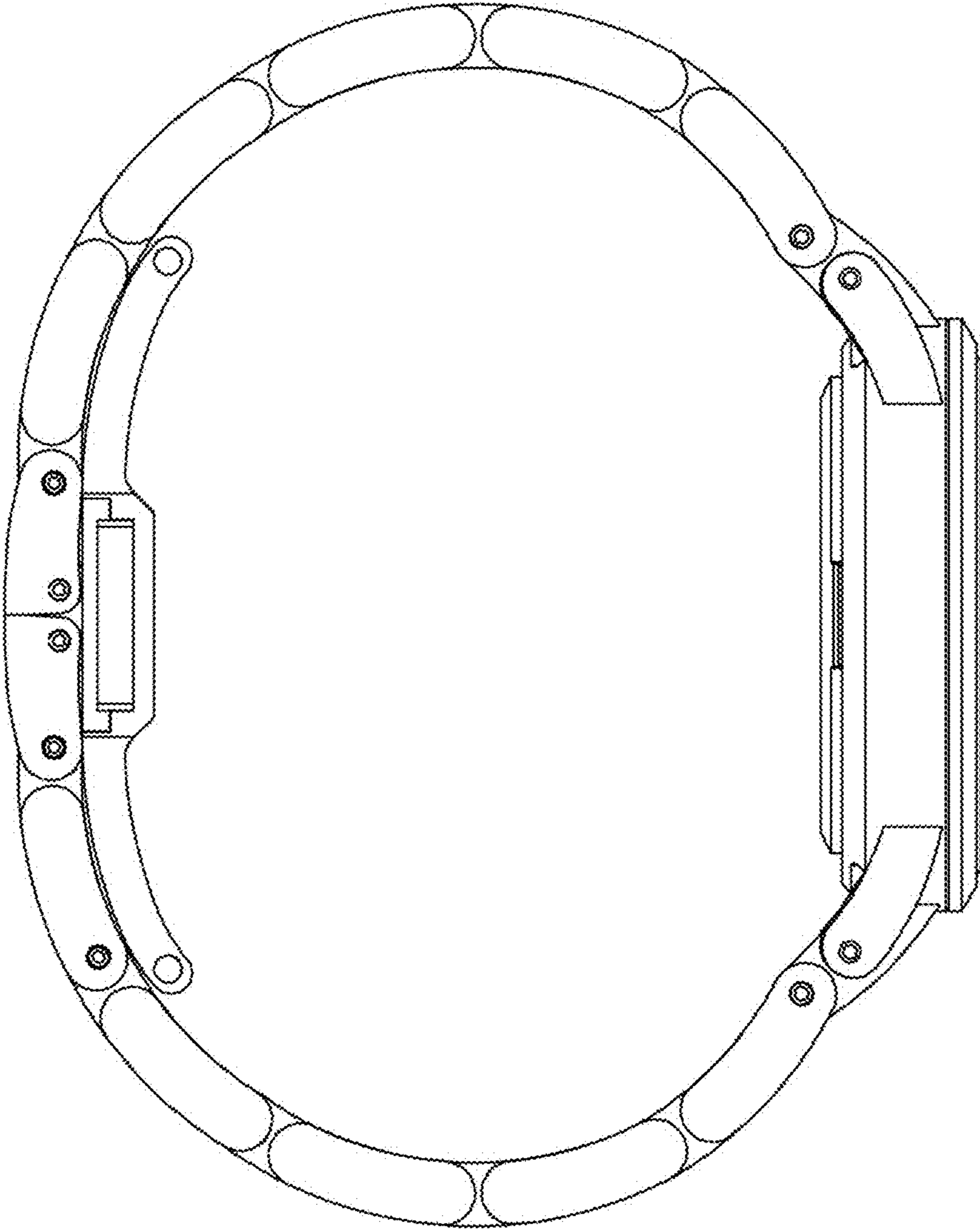
1.3



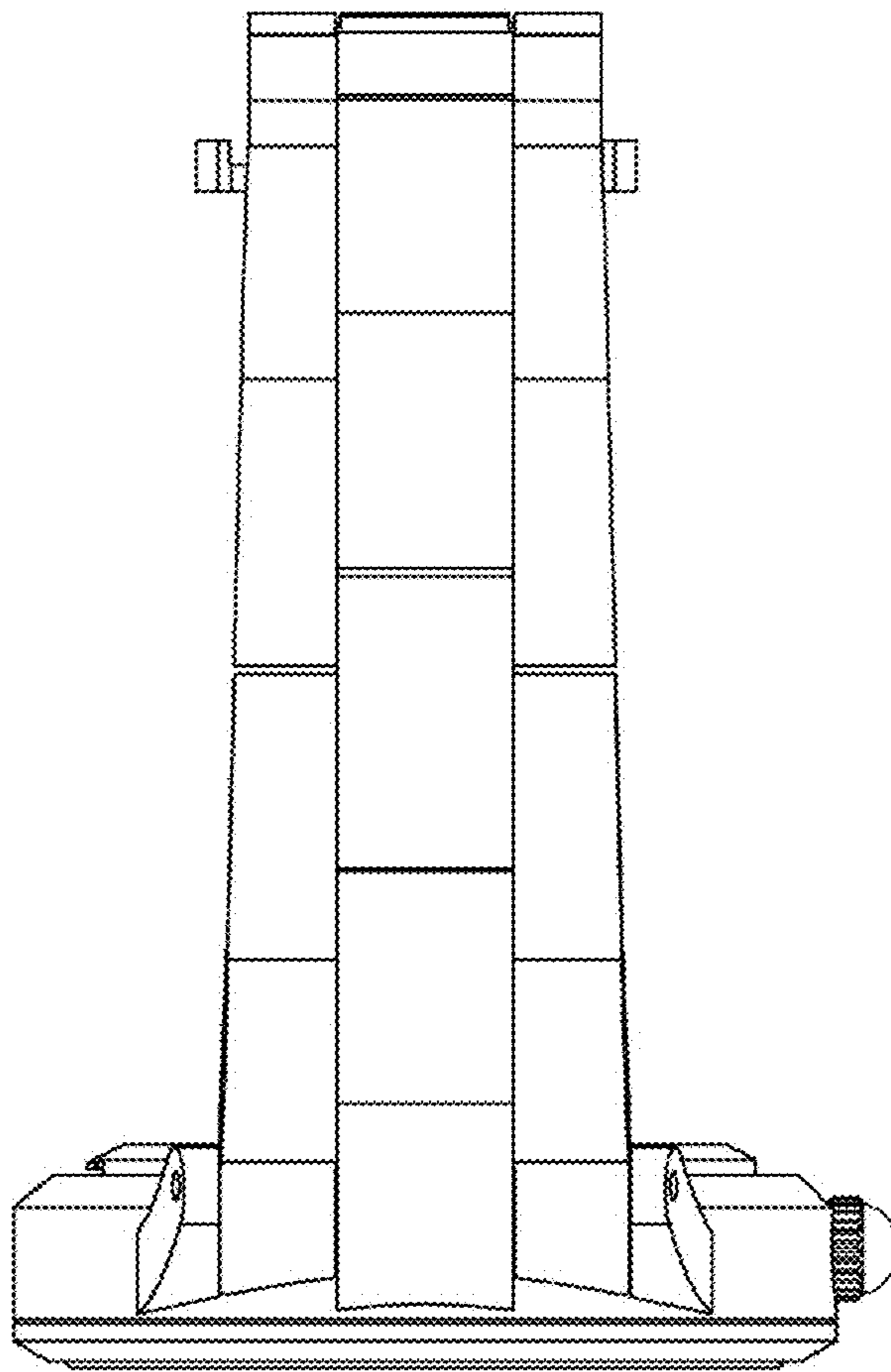
1.4



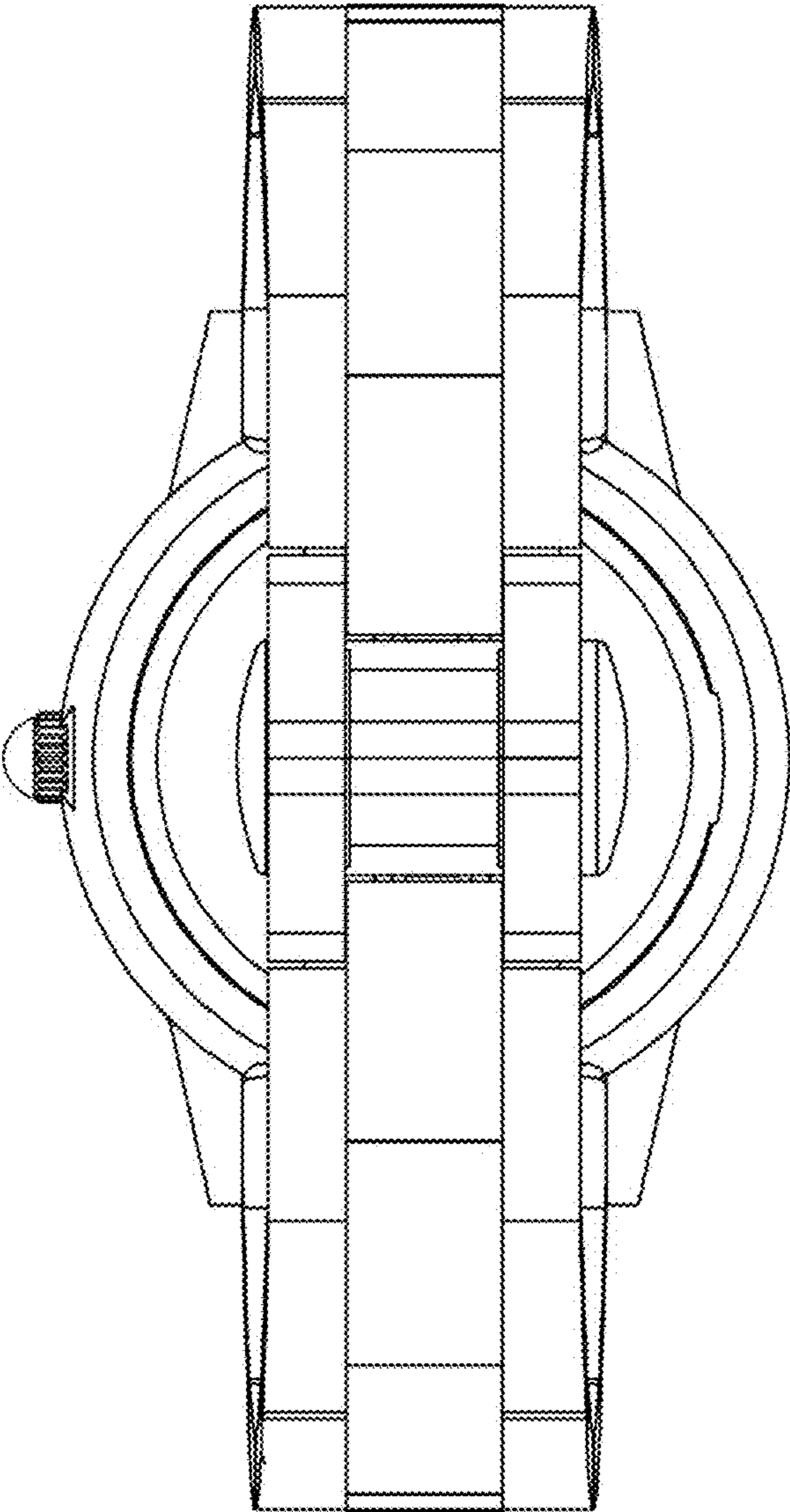
1.5



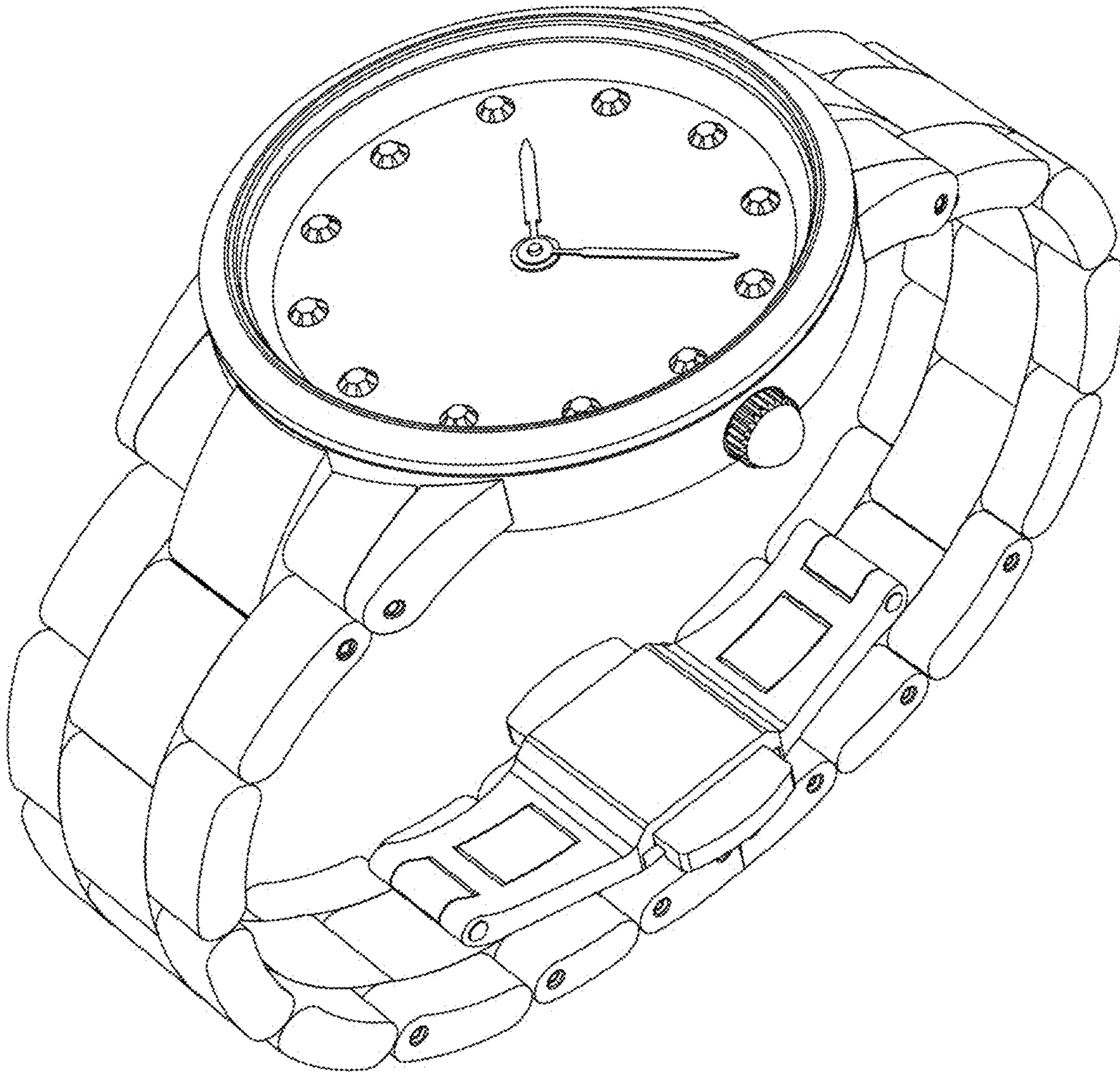
1.6



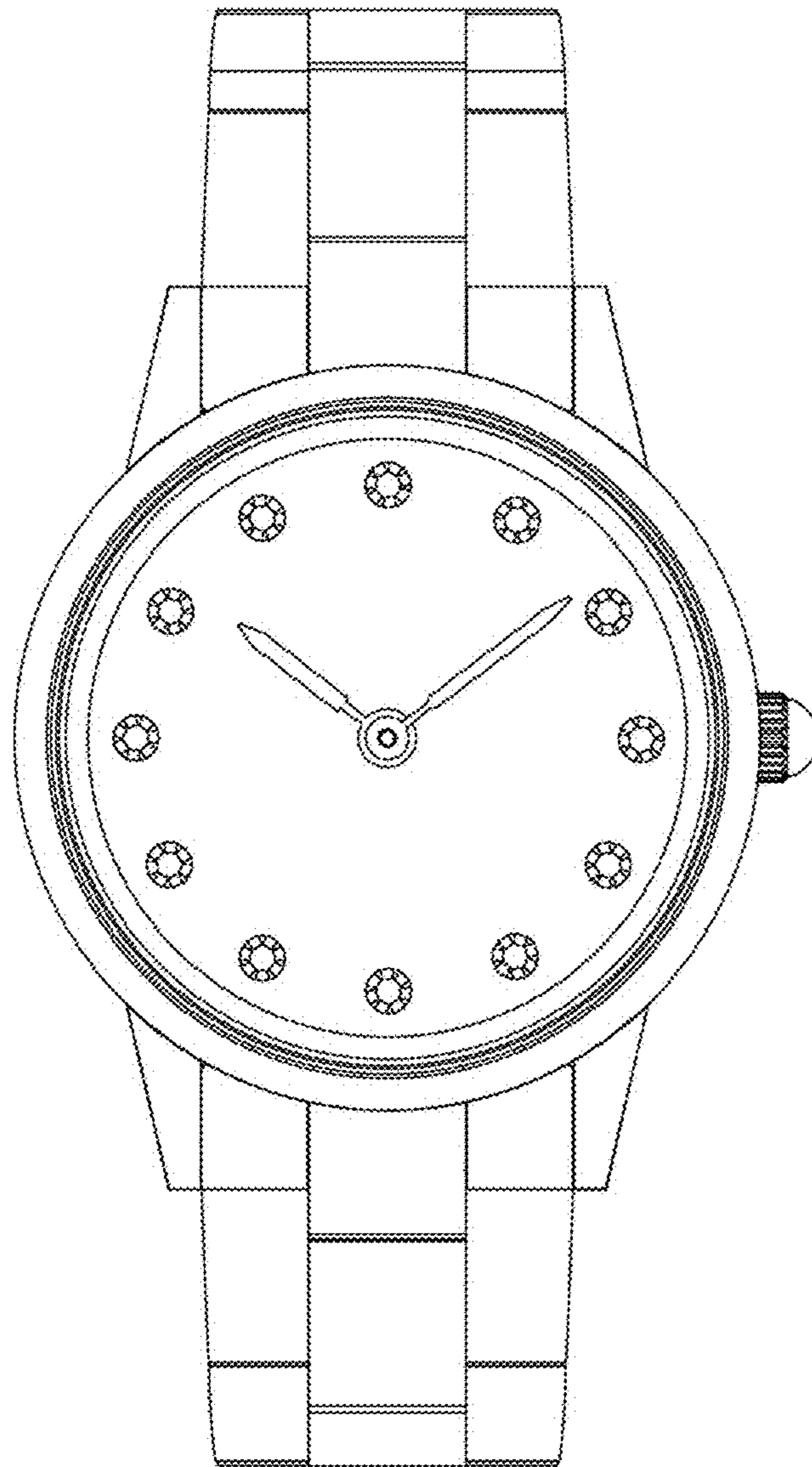
1.7



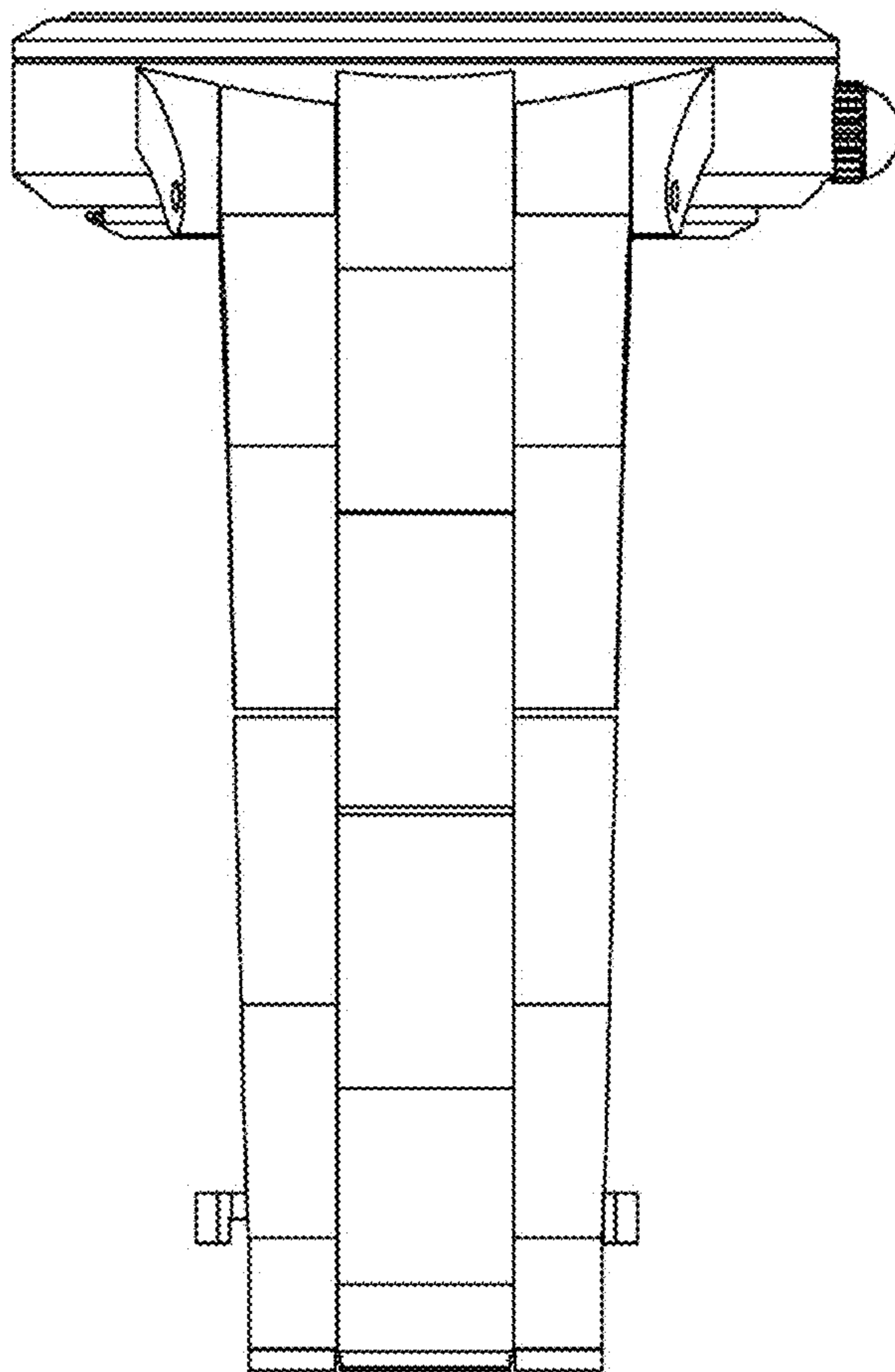
2.1



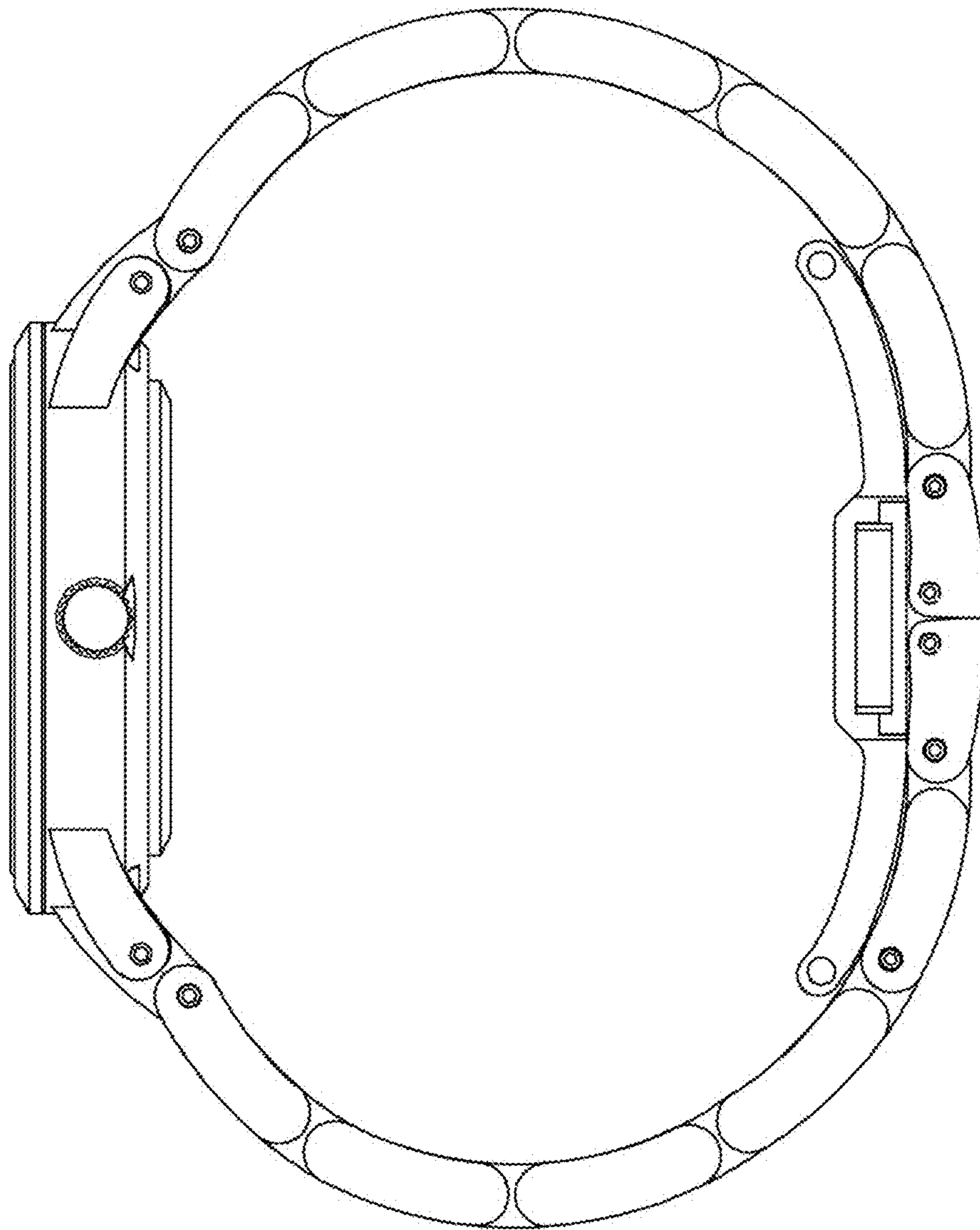
2.2



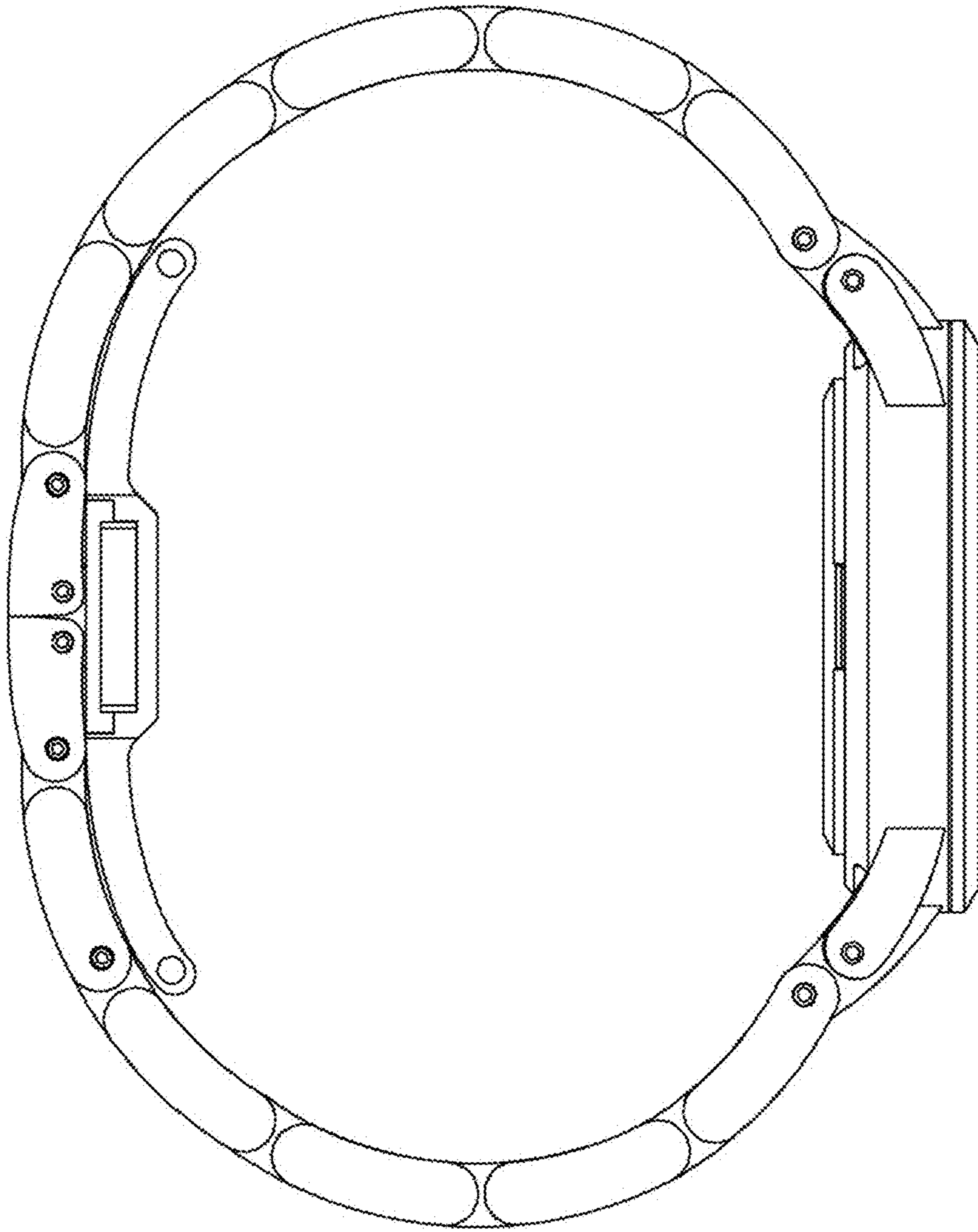
2.3



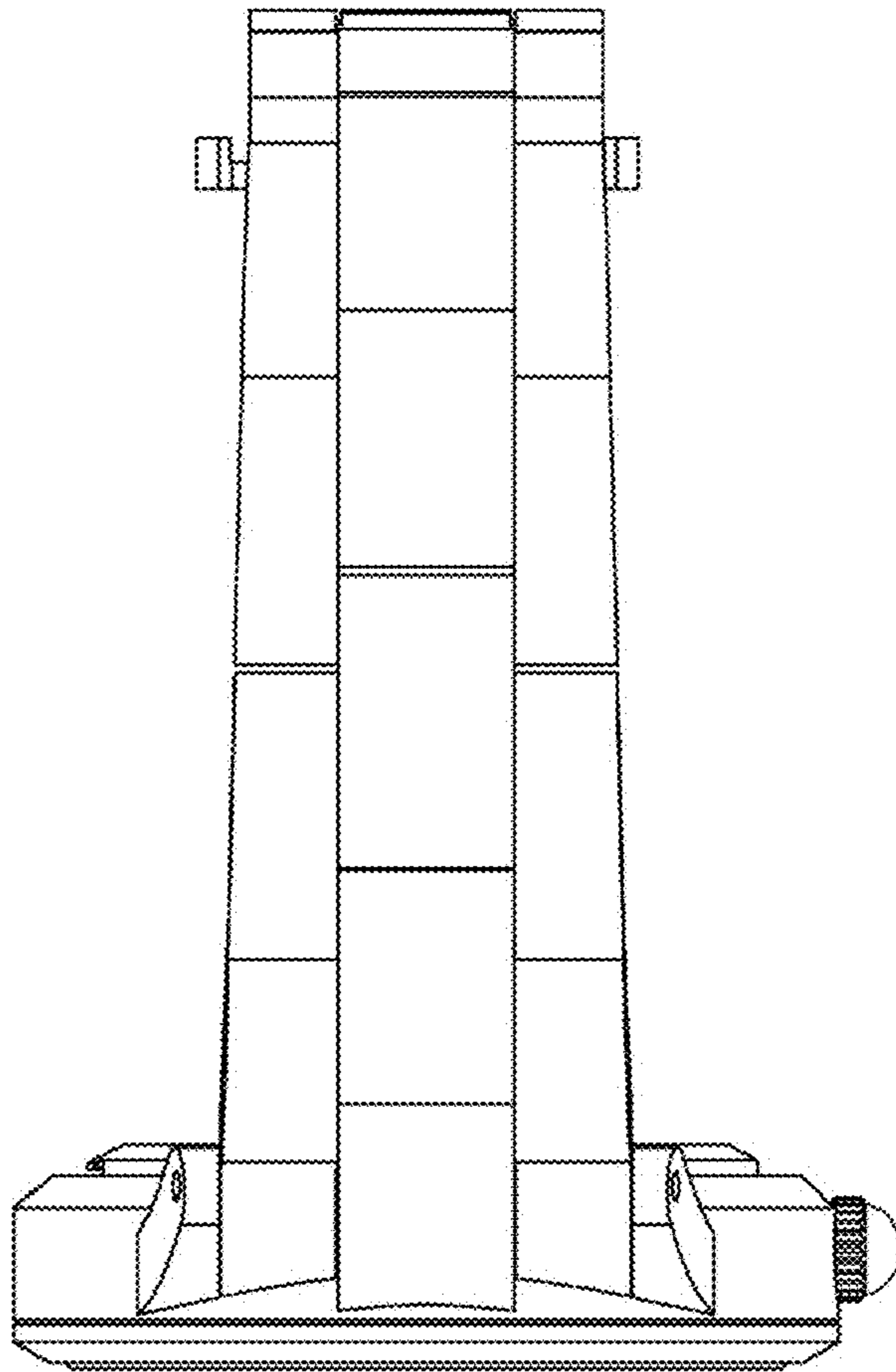
2.4



2.5



2.6



2.7

