

US00D960719S

(12) **United States Design Patent**
Meech et al.

(10) **Patent No.:** **US D960,719 S**

(45) **Date of Patent:** **** Aug. 16, 2022**

(54) **PACKAGE**

(71) Applicant: **The Gillette Company LLC**, Boston, MA (US)

(72) Inventors: **James Arthur Meech**, Sharon, MA (US); **Richard Kevin Sennett**, Abington, MA (US); **Michael Robert Kraine**, Newton, MA (US)

(73) Assignee: **The Gillette Company LLC**, Boston, MA (US)

(**) Term: **15 Years**

(21) Appl. No.: **29/731,748**

(22) Filed: **Apr. 17, 2020**

Related U.S. Application Data

(63) Continuation of application No. 29/642,550, filed on Mar. 30, 2018, now Pat. No. Des. 883,802.

(51) **LOC (13) Cl.** **09-03**

(52) **U.S. Cl.**
USPC **D9/749**; D9/456

(58) **Field of Classification Search**
USPC D9/748, 735, 737, 749, 456
CPC A45D 27/22; A45D 27/225; A45D 27/29;
A61B 50/30; A61B 50/33; A61B
2050/3006; B65D 25/10; B65D 77/26;
B65D 1/36; B65D 21/0233; B65D
75/327; B65D 75/367; B65D 81/133
See application file for complete search history.

(56) **References Cited**

U.S. PATENT DOCUMENTS

4,482,053	A	11/1984	Alpern et al.
5,040,678	A	8/1991	Lenmark, Sr. et al.
5,782,346	A	7/1998	Gray et al.
D399,421	S	10/1998	Gray
6,154,360	A	11/2000	Kaczeus, Sr. et al.

6,400,247	B1	6/2002	King
6,830,149	B2	12/2004	Merboth et al.
D511,105	S	11/2005	Dominesey et al.
D558,571	S	1/2008	Andre et al.
D561,610	S	2/2008	Renaldi et al.
D576,873	S	9/2008	Kim
D596,485	S	7/2009	Andre et al.
D620,795	S	8/2010	Andre et al.
D627,217	S	11/2010	Marcinkowski et al.
7,878,326	B2	2/2011	Andre et al.

(Continued)

OTHER PUBLICATIONS

“Heated Razor Starter Kit By Gillette Labs Unboxing | Gillette Razor Unboxing”, available Sep. 9, 2019, [online], [site visited Dec. 20, 2019]. Available from internet, URL: <https://www.youtube.com/watch?v=6EjDz8zK6bE> (Year: 2019).

(Continued)

Primary Examiner — W. A. Teddy Falloway

(74) *Attorney, Agent, or Firm* — John M. Lipchitz

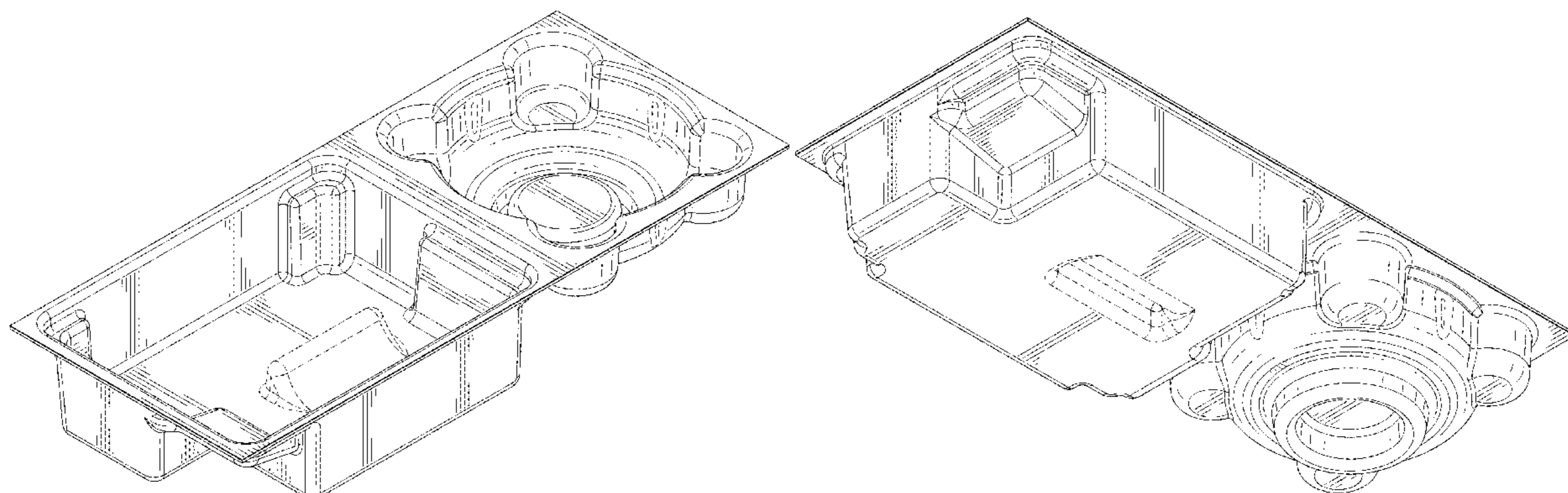
(57) **CLAIM**

The ornamental design for a package, as shown and described.

DESCRIPTION

FIG. 1 is a front perspective view of a package showing our new design;
FIG. 2 is a front view thereof;
FIG. 3 is a rear view thereof;
FIG. 4 is a right side view thereof;
FIG. 5 is a left side view thereof;
FIG. 6 is a top view thereof;
FIG. 7 is a bottom view thereof; and,
FIG. 8 is a bottom perspective view thereof.
The broken lines are directed to the environment and are for illustrative purposes only and form no part of the claimed design.

1 Claim, 6 Drawing Sheets



(56)

References Cited

U.S. PATENT DOCUMENTS

D637,076	S	5/2011	Akana et al.	
D642,048	S	7/2011	Ocampo et al.	
D661,188	S	6/2012	Fahy	
D709,364	S	7/2014	Olsson et al.	
D709,767	S	7/2014	Morrison et al.	
D713,739	S	9/2014	Akana et al.	
D715,148	S	10/2014	Kuo et al.	
D723,920	S	3/2015	Wakeham et al.	
8,997,984	B2	4/2015	Kuo et al.	
9,199,776	B1	12/2015	Bruce	
D790,987	S	7/2017	Damon et al.	
9,828,157	B2	11/2017	Roesler	
10,384,827	B1	8/2019	Mehta et al.	
D860,813	S *	9/2019	Swatty	D9/749
D883,802	S	5/2020	Meech et al.	
D892,632	S *	8/2020	Bogdziewicz	D9/737
D895,439	S *	9/2020	Meech	D9/748
D895,960	S *	9/2020	Goeder	D3/205
D906,102	S *	12/2020	Cook	D9/737
D908,958	S *	1/2021	Devarona	D28/47
D918,032	S *	5/2021	Smith	D9/425
2010/0200443	A1	8/2010	Greene et al.	
2011/0100845	A1	5/2011	Meech et al.	
2011/0290688	A1	12/2011	Marcinkowski et al.	
2013/0292393	A1	11/2013	Doherty et al.	
2015/0059197	A1	3/2015	Sassano	
2016/0244198	A1	8/2016	Doherty et al.	
2017/0367457	A1	12/2017	Greene et al.	
2019/0092547	A1	3/2019	Sadowski et al.	

OTHER PUBLICATIONS

All Office Actions; U.S. Appl. No. 29/642,550.

* cited by examiner

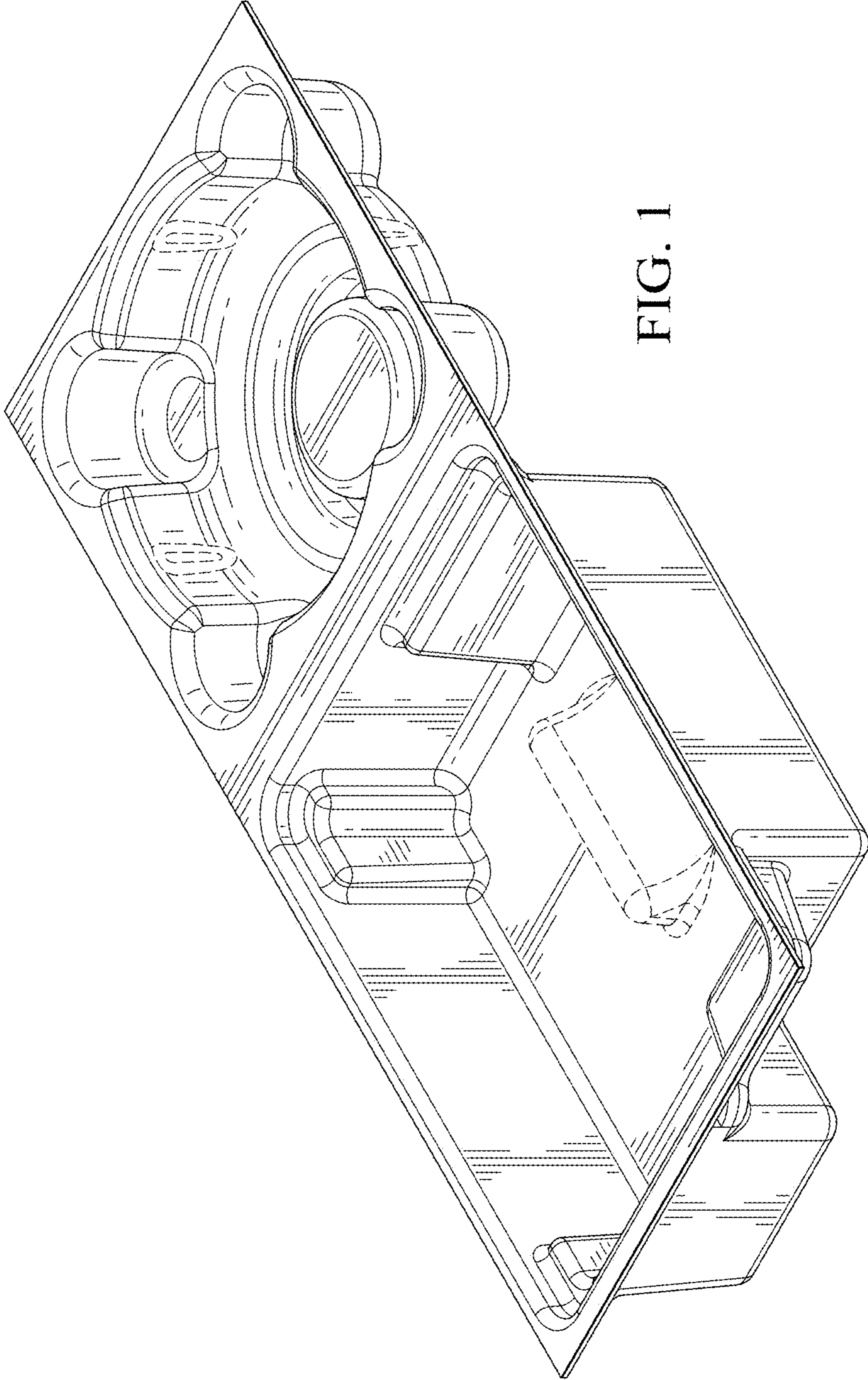


FIG. 1

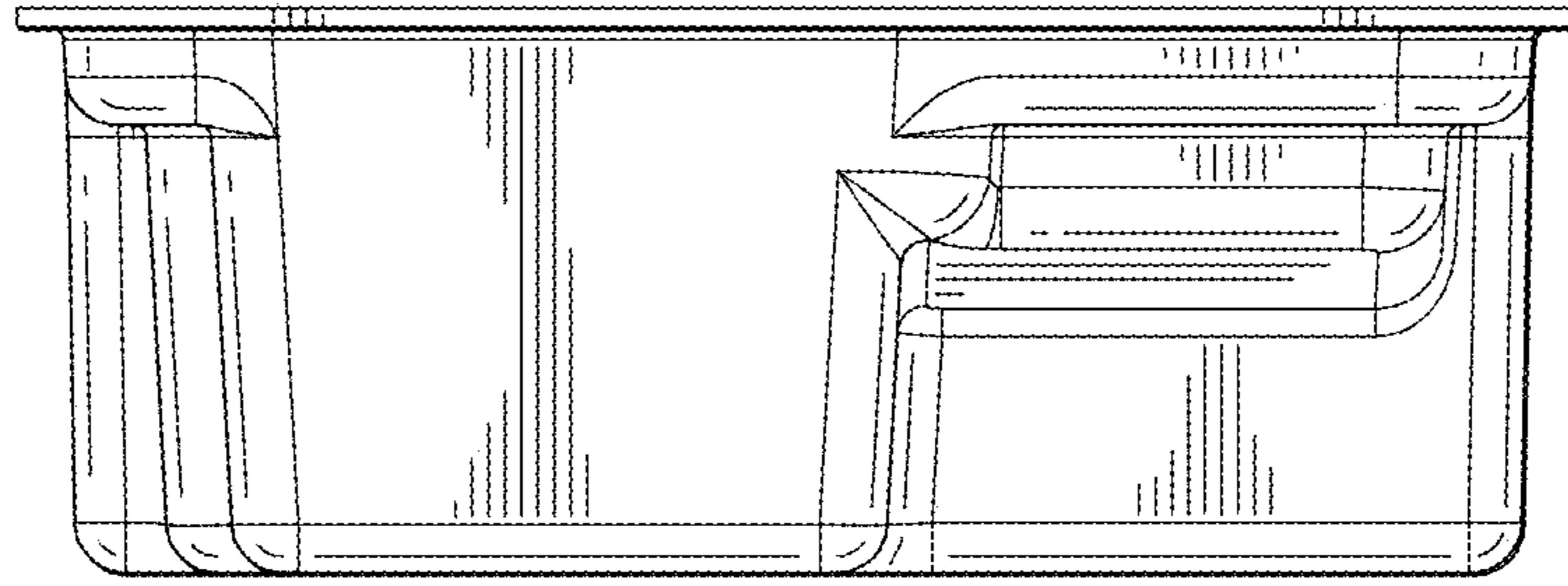


FIG. 2

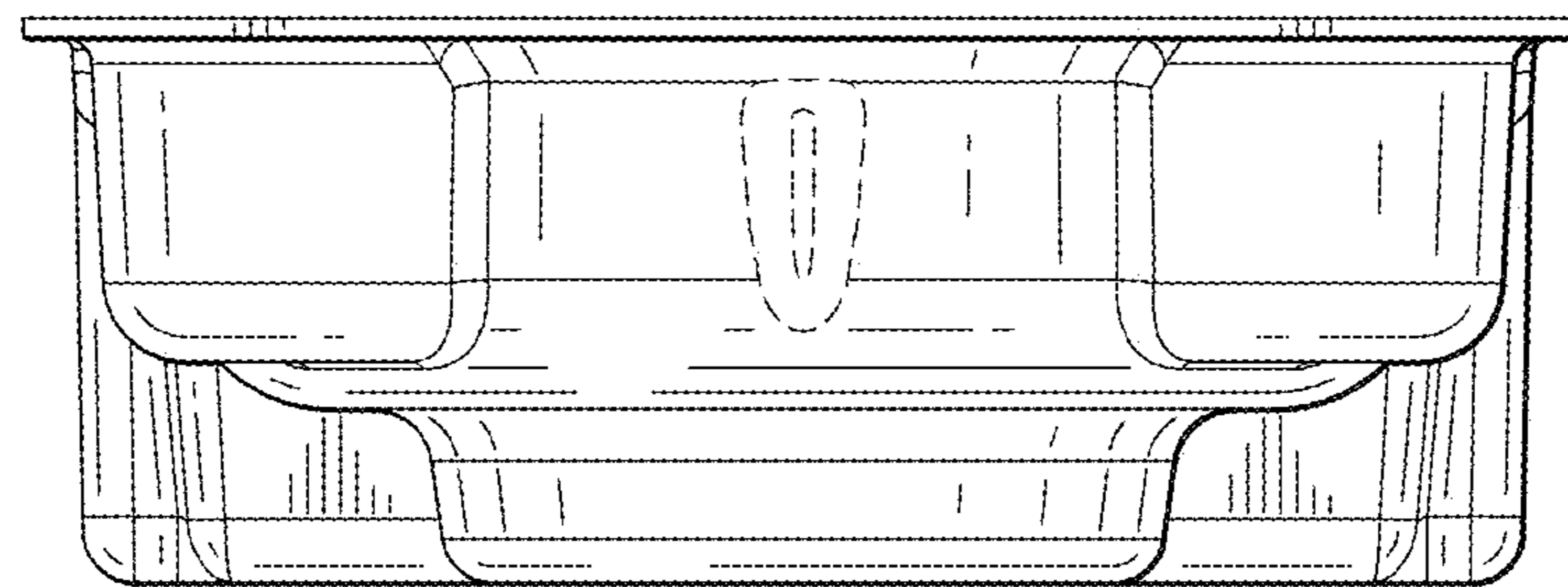


FIG. 3

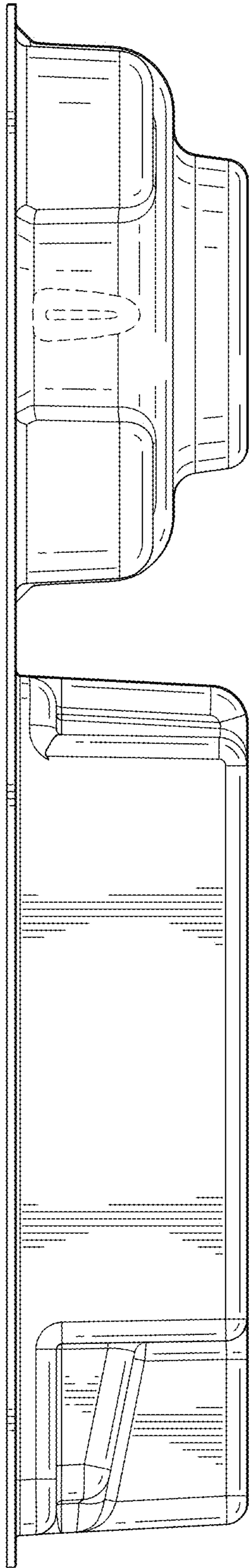


FIG. 4

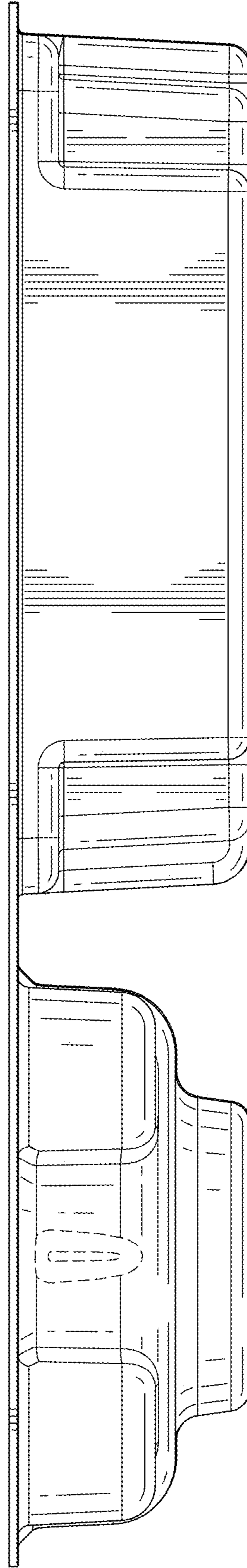


FIG. 5

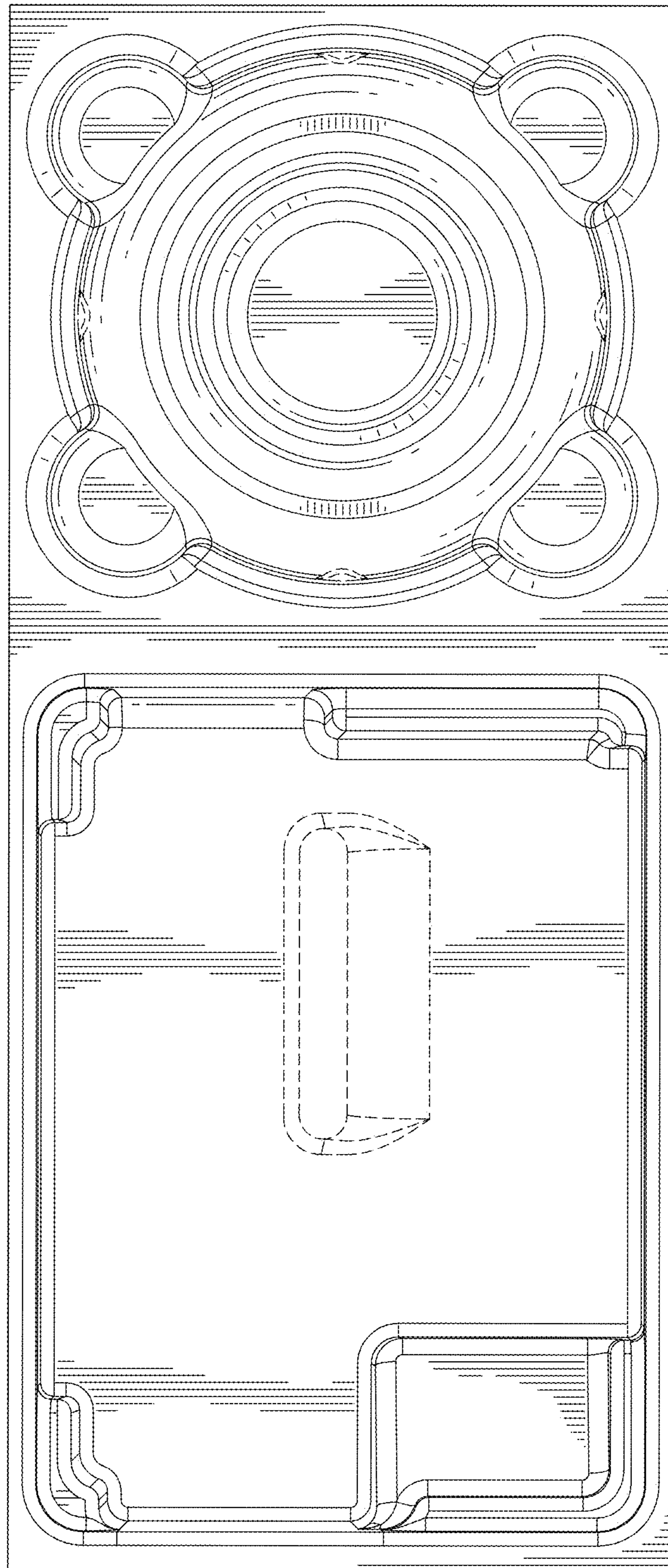


FIG. 6

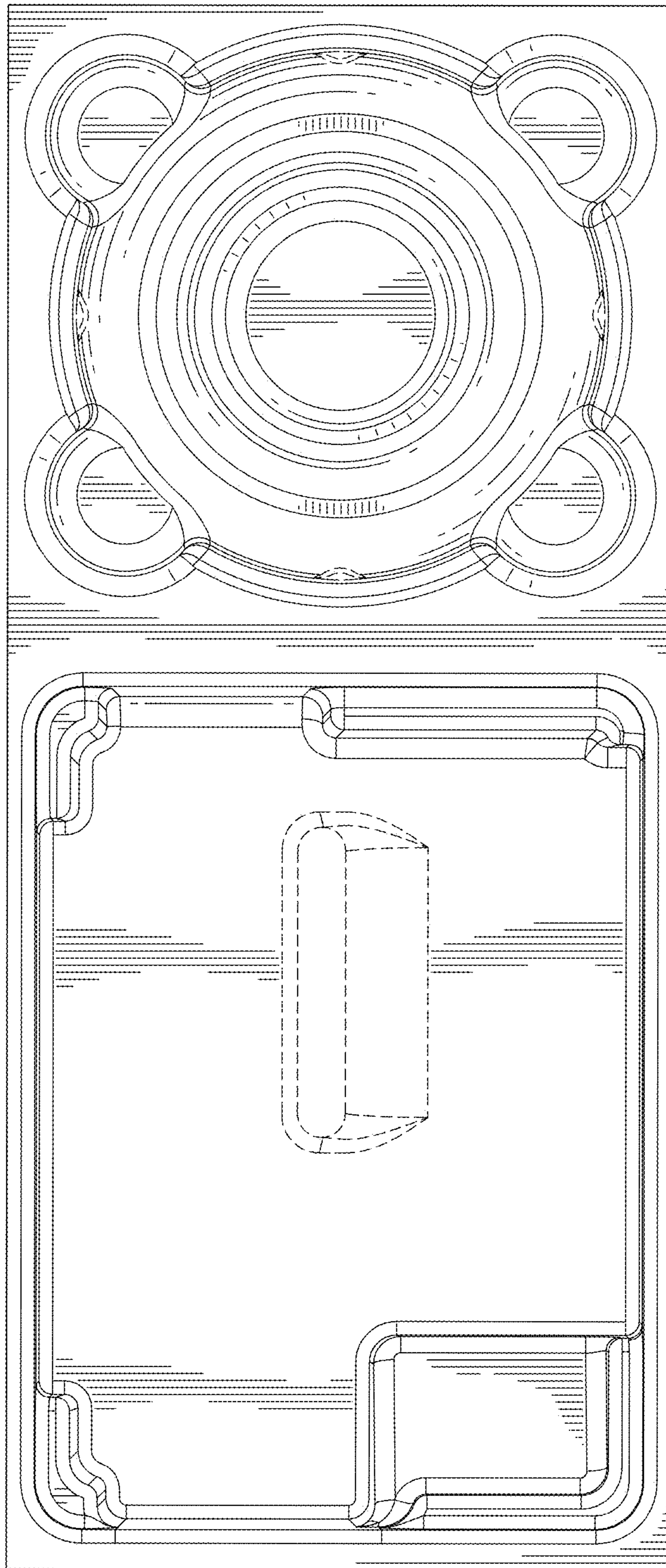


FIG. 7

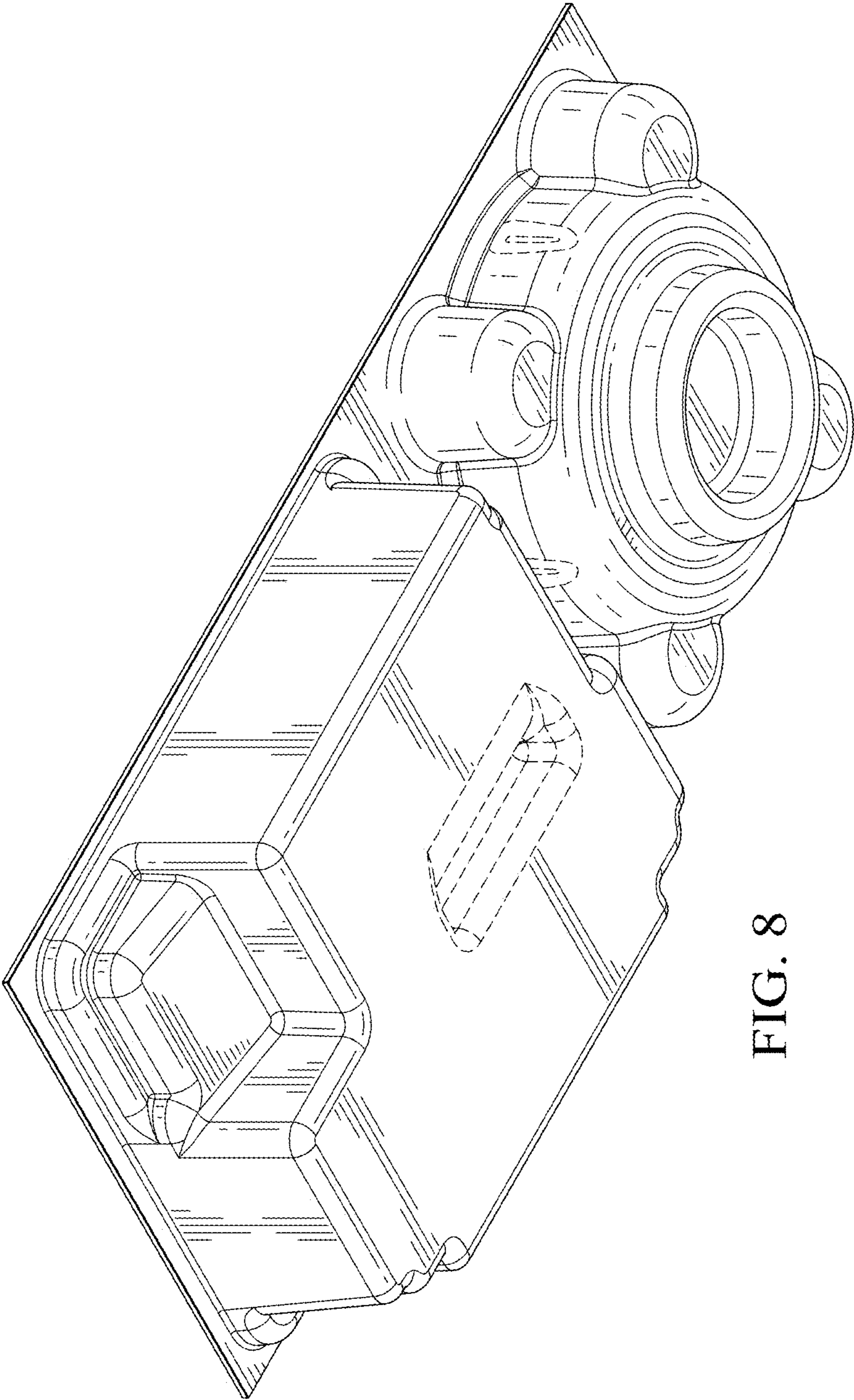


FIG. 8