



US00D960711S

(12) **United States Design Patent**
Galvez

(10) **Patent No.:** **US D960,711 S**

(45) **Date of Patent:** **** Aug. 16, 2022**

(54) **PERFUME BOTTLE**

(71) Applicant: **ANTONIO PUIG, S.A.**, L'Hospitalet de Llobregat (ES)

(72) Inventor: **Jean-Marc Galvez**, Paris (FR)

(**) Term: **15 Years**

(21) Appl. No.: **35/511,953**

(22) Filed: **May 18, 2021**

(80) **Hague Agreement Data**

Int. Filing Date: **May 18, 2021**

Int. Reg. No.: **DM/214377**

Int. Reg. Date: **May 18, 2021**

Int. Reg. Pub. Date: **Jun. 4, 2021**

(30) **Foreign Application Priority Data**

Nov. 23, 2020 (EM) 008281810-0001

(51) **LOC (13) Cl.** **09-01**

(52) **U.S. Cl.**
USPC **D9/632**

(58) **Field of Classification Search**

USPC D9/771, 774, 779-780, 669, 516,
D9/529-530, 537-546, 556, 559, 569,
D9/574-575, 632, 414, 430, 443, 453,
D9/215, 381-385; D28/76, 85, 87, 89
CPC B65D 1/0207; B65D 1/023; B65D 1/0223;
B65D 23/00; B65D 1/0261; B65D 85/82;
B65D 1/0246

See application file for complete search history.

(56) **References Cited**

U.S. PATENT DOCUMENTS

D74,618 S * 3/1928 Matchabelli D9/632
D188,957 S * 10/1960 Nassour D9/632
D427,516 S * 7/2000 Legros D9/632
D440,152 S * 4/2001 Legros D9/632
D461,118 S * 8/2002 Tseng D9/632

* cited by examiner

Primary Examiner — Michael A. Pratt

(57) **CLAIM**

The ornamental design for a perfume bottle, as shown and described.

DESCRIPTION

The patent or application file contains at least one drawing executed in color. Copies of this patent or patent application publication with color drawing(s) will be provided by the Office upon request and payment of the necessary fee.

1. Perfume bottle

1.1 : Perspective

1.2 : Front

1.3 : Back

1.4 : Right

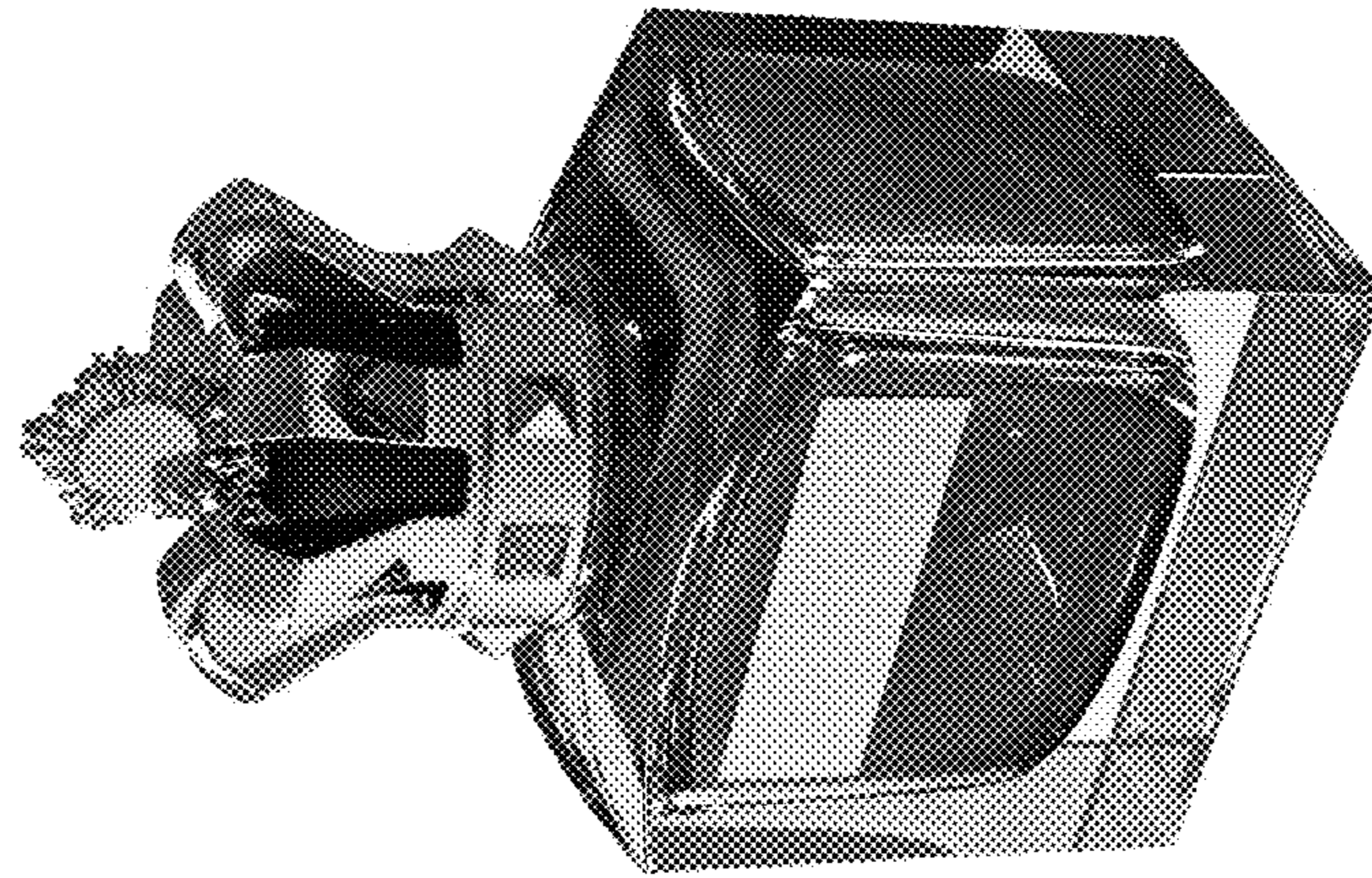
1.5 : Left

1.6 : Top

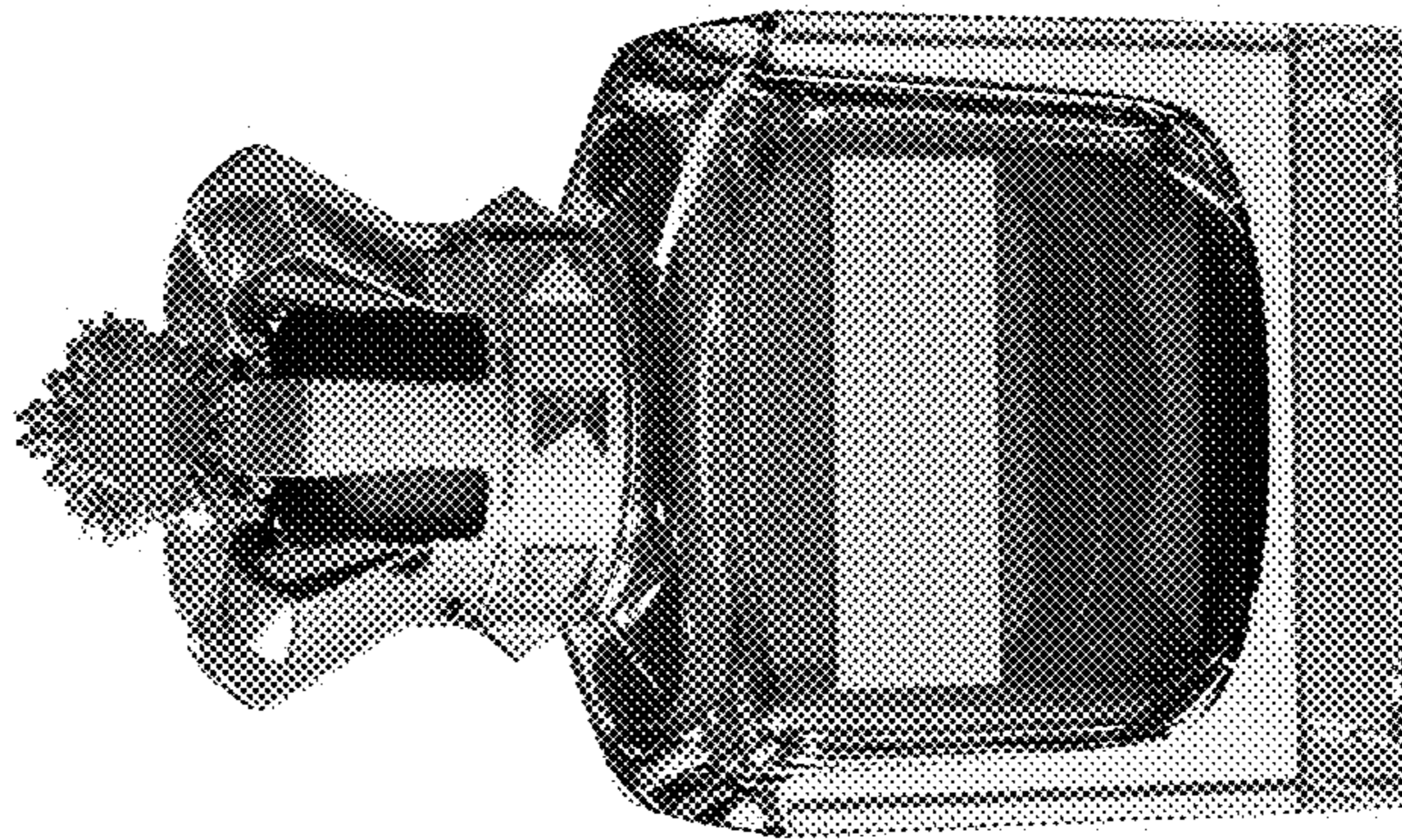
The design is for the shape and appearance of a bottle topped by a cap as shown; the bottom view of the bottle does not have a specific characteristic and is, therefore, not attached.

1 Claim, 6 Drawing Sheets
(6 of 6 Drawing Sheet(s) Filed in Color)

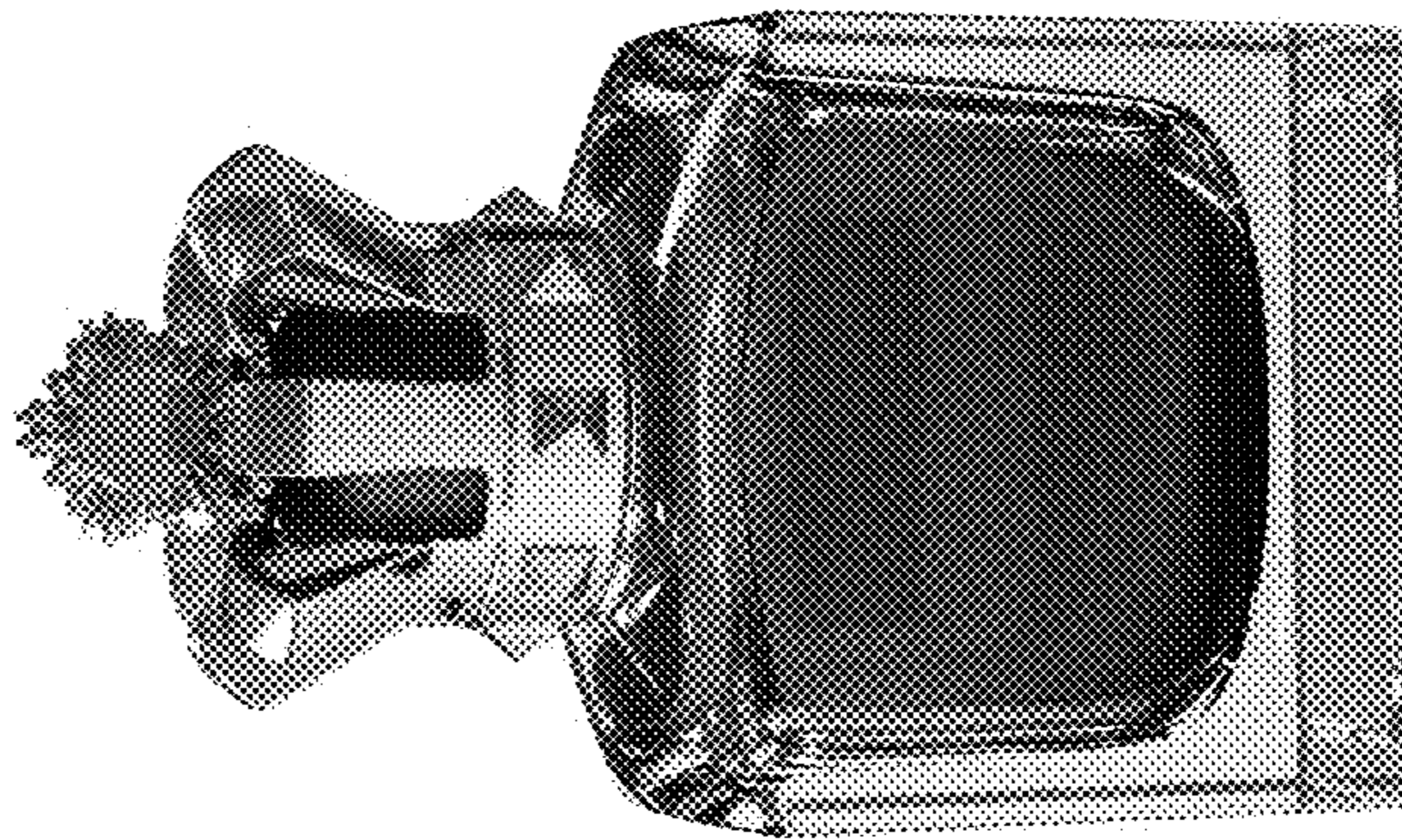




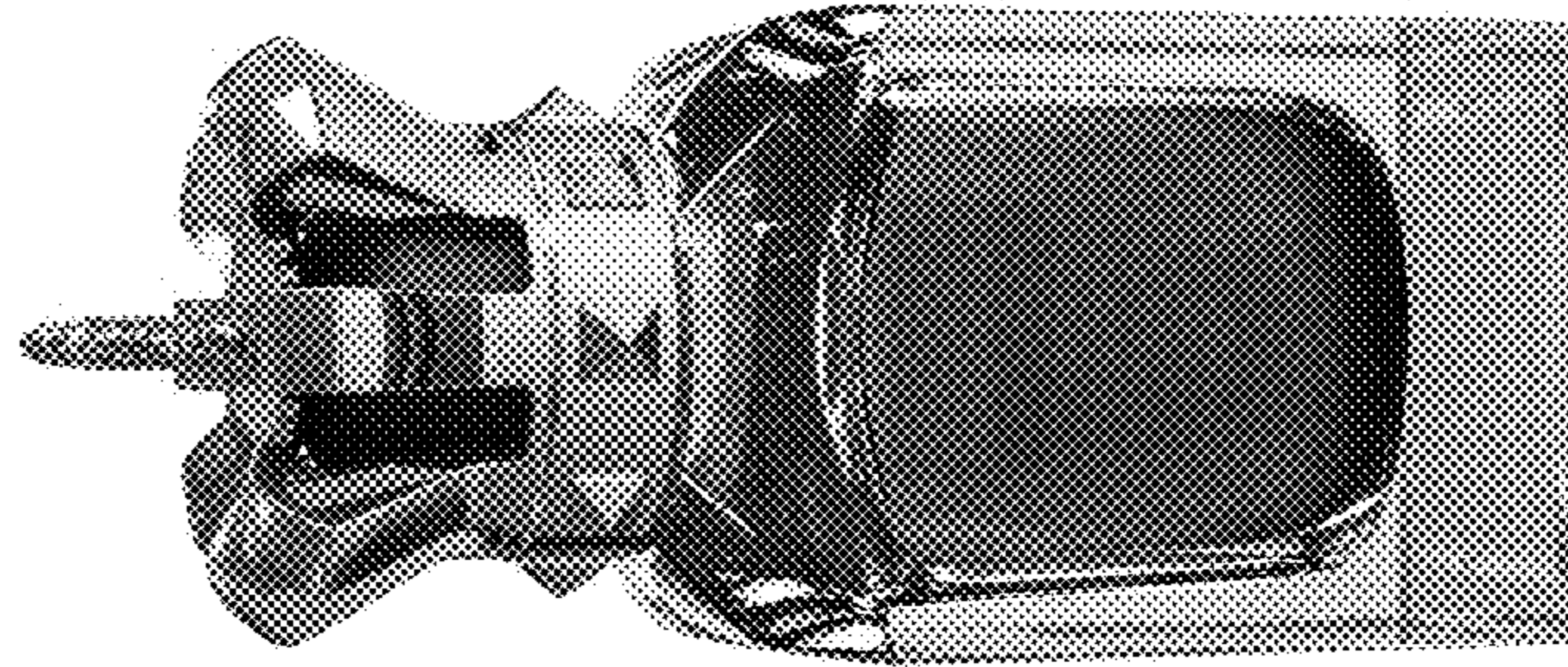
1.1



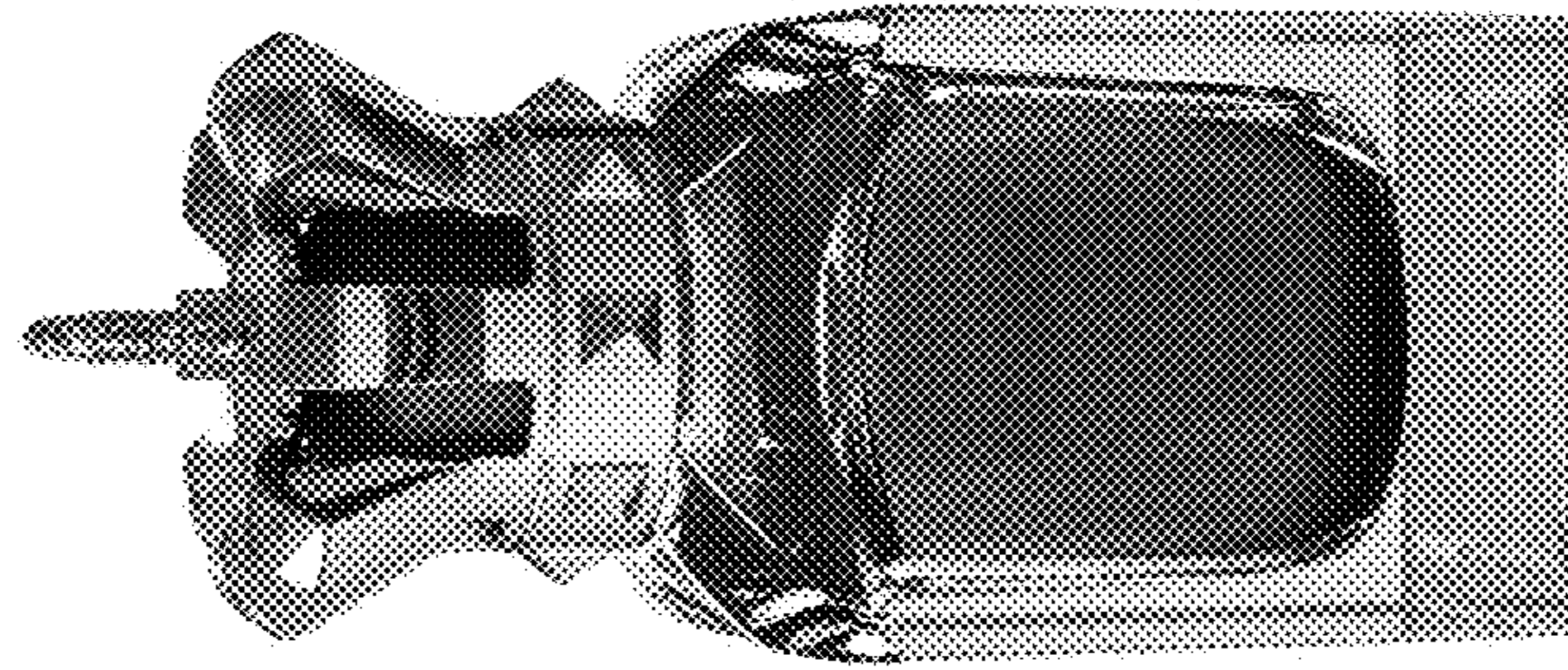
1.2



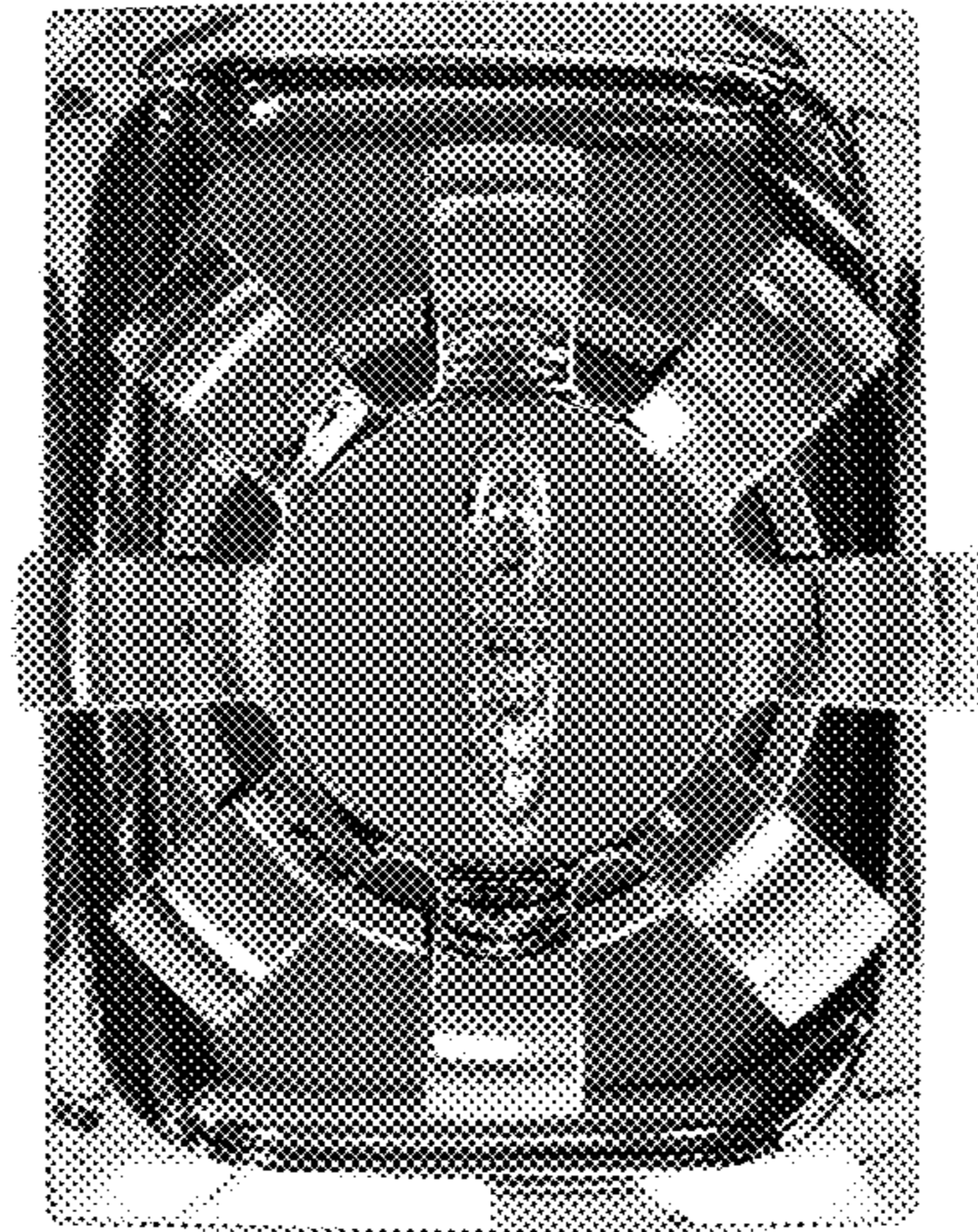
1.3



1.4



1.5



1.6