

US00D960710S

(12) **United States Design Patent** (10) **Patent No.:** **US D960,710 S**
Hsiao et al. (45) **Date of Patent:** **** Aug. 16, 2022**

- (54) **BOTTLE FOR OLIVE OIL**
- (71) Applicant: **Stanislaus Food Products Company**, Modesto, CA (US)
- (72) Inventors: **Amy Hsiao**, Modesto, CA (US); **Brady Whitlow**, Stockton, CA (US)
- (73) Assignee: **STANISLAUS FOOD PRODUCTS COMPANY**, Modesto, CA (US)
- (**) Term: **15 Years**
- (21) Appl. No.: **29/830,980**
- (22) Filed: **Mar. 16, 2022**

Related U.S. Application Data

- (62) Division of application No. 29/717,036, filed on Dec. 13, 2019, now Pat. No. Des. 949,700.
- (51) **LOC (13) Cl.** **09-01**
- (52) **U.S. Cl.**
USPC **D9/544; D9/560**
- (58) **Field of Classification Search**
USPC D9/520, 544, 545, 556, 559-561, 563, D9/569, 573-575, 550, 546; D7/598; D11/143

(Continued)

(56) **References Cited**

U.S. PATENT DOCUMENTS

D44,881 S 11/1913 Alexander et al.
D93,412 S 9/1934 Kessler

(Continued)

OTHER PUBLICATIONS

Grahl, Arvina, et al., "Bottle Shape Elicits Gender-Specific Emotion: A Startle Reflex Modulation Study", *Psychology*, vol. 3, No. 7, pp. 548-554 (2012).

Primary Examiner — Brett Miller
Assistant Examiner — Rani J Abdallah
(74) *Attorney, Agent, or Firm* — Orrick, Herrington & Sutcliffe LLP

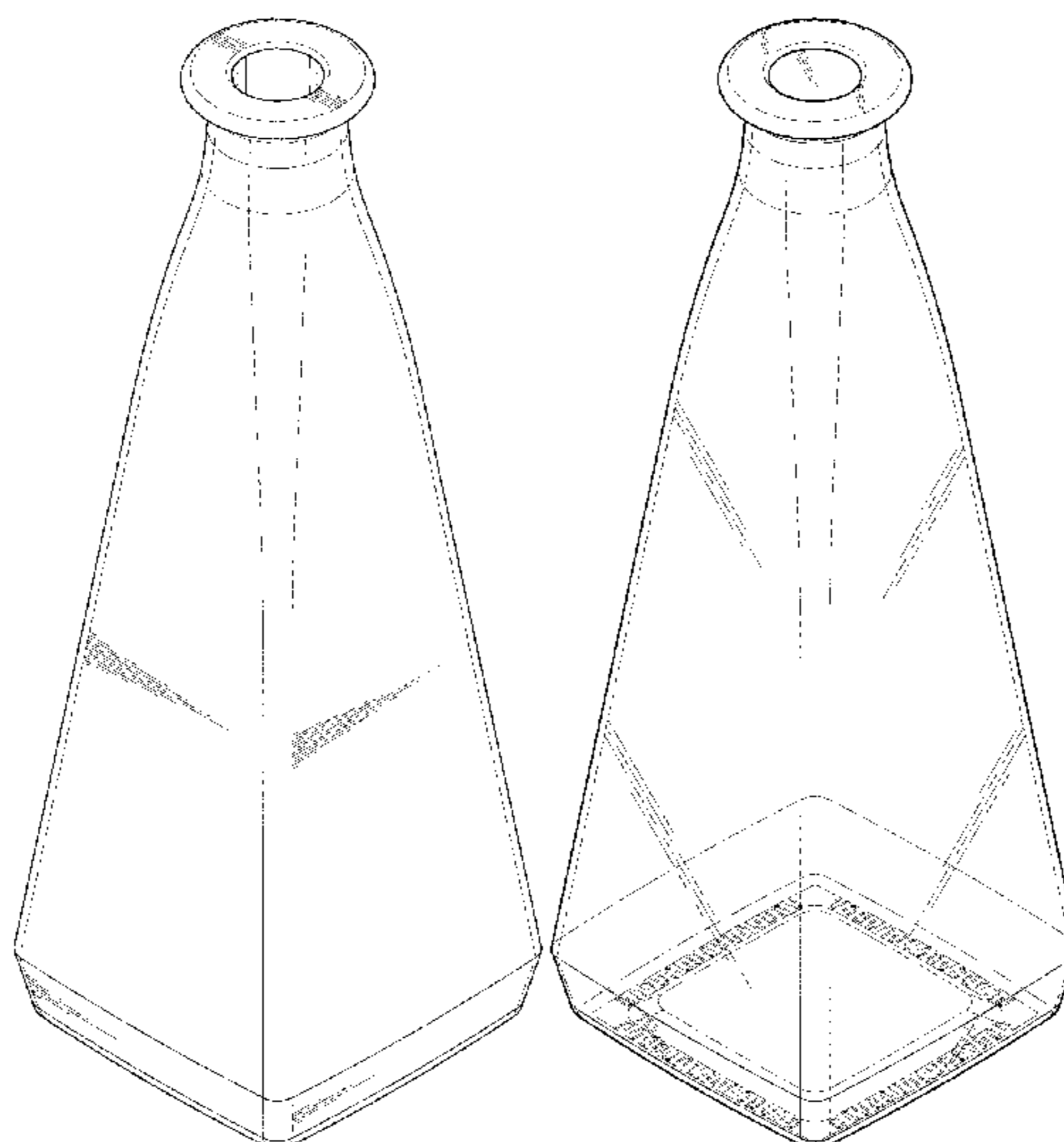
(57) **CLAIM**

The ornamental design for a bottle for olive oil, as shown and described.

DESCRIPTION

FIG. 1 is a perspective view illustrating an embodiment of our new and ornamental design for a bottle for olive oil; FIG. 2 is a top view illustrating the new and ornamental design for the bottle of FIG. 1; FIG. 3 is a bottom view illustrating the new and ornamental design for the bottle of FIG. 1; FIG. 4 is a back view illustrating the new and ornamental design for the bottle of FIG. 1; FIG. 5 is a front view illustrating the new and ornamental design for the bottle of FIG. 1; FIG. 6 is a right-side view illustrating the new and ornamental design for the bottle of FIG. 1; FIG. 7 is a left-side view illustrating the new and ornamental design for the bottle of FIG. 1; FIG. 8 is a perspective view illustrating yet another alternative embodiment of the new and ornamental design for the bottle of FIGS. 1-7, wherein the bottle comprises a transparent material; FIG. 9 is a top view illustrating the new and ornamental design for the bottle of FIG. 8; FIG. 10 is a bottom view illustrating the new and ornamental design for the bottle of FIG. 8; FIG. 11 is a back view illustrating the new and ornamental design for the bottle of FIG. 8; FIG. 12 is a front view illustrating the new and ornamental design for the bottle of FIG. 8; FIG. 13 is a right-side view illustrating the new and ornamental design for the bottle of FIG. 8; and, FIG. 14 is a left-side view illustrating the new and ornamental design for the bottle of FIG. 8.

1 Claim, 12 Drawing Sheets



US D960,710 S

Page 2

(58) **Field of Classification Search**

CPC B65D 1/0223; B65D 1/0276; B65D
2501/0081; B65D 81/3806; B65D
81/3818

See application file for complete search history.

(56)

References Cited

U.S. PATENT DOCUMENTS

D207,803 S 5/1967 Du Pree
D311,865 S * 11/1990 Rohmeder D9/544
D346,227 S 4/1994 Boss
D359,691 S * 6/1995 Pire D9/560
D380,966 S 7/1997 Frazer
D481,956 S * 11/2003 Pinnavaia D9/560
D489,628 S * 5/2004 Bakic D9/560
D531,046 S * 10/2006 Moretti D9/574
D545,685 S * 7/2007 Henderson D9/560
D546,701 S * 7/2007 Henderson D9/560

D550,094 S 9/2007 Henderson
D567,664 S 4/2008 Rica
D573,892 S 7/2008 Moretti
D573,893 S 7/2008 Moretti
D579,783 S * 11/2008 Katcher D9/546
D584,953 S * 1/2009 Rica D9/520
D586,661 S 2/2009 Sherman et al.
D594,343 S 6/2009 Leruste
D653,553 S 2/2012 Sanghavi et al.
D665,263 S * 8/2012 Sanghavi D9/575
D757,559 S 5/2016 Sanghavi et al.
D788,594 S * 6/2017 Elkouby D9/566
D793,240 S 8/2017 Pensler
D796,336 S 9/2017 Pensler
D798,159 S * 9/2017 Shaw D9/544
D804,953 S 12/2017 Sanghavi
D867,154 S 11/2019 Sanghavi
D873,146 S 1/2020 Nechita
D929,235 S * 8/2021 Tarashchansky D9/544

* cited by examiner

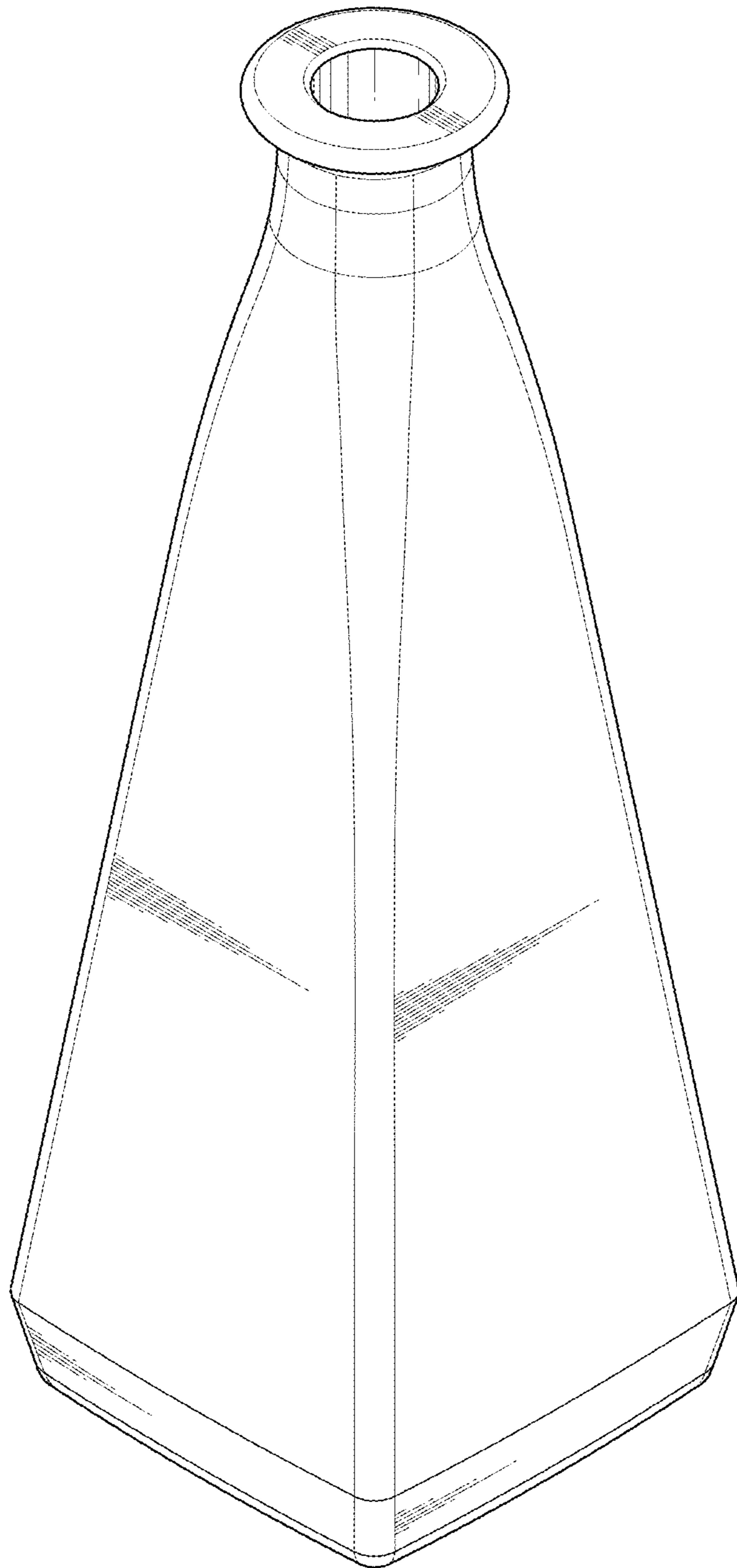


FIG. 1

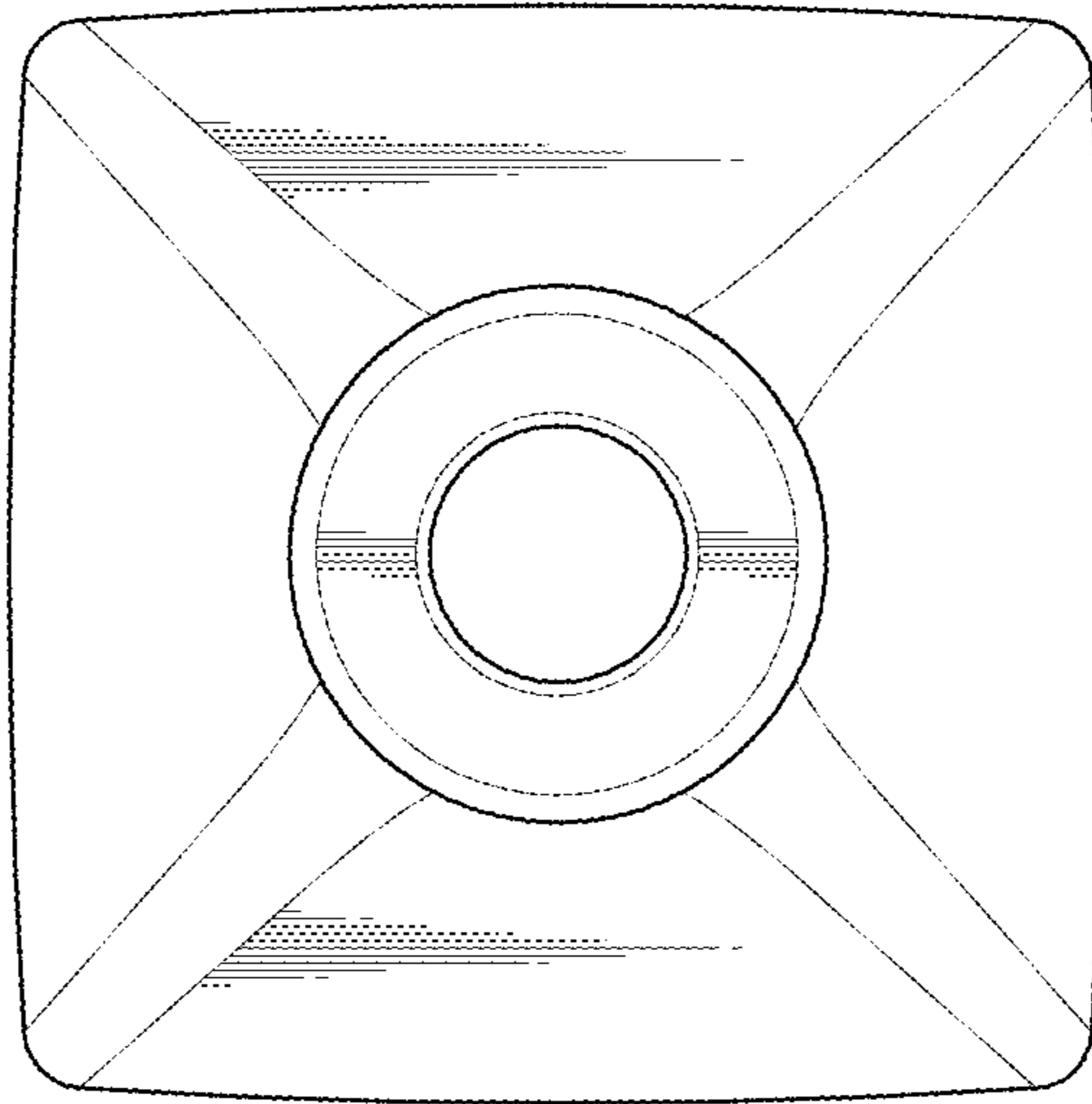


FIG. 2

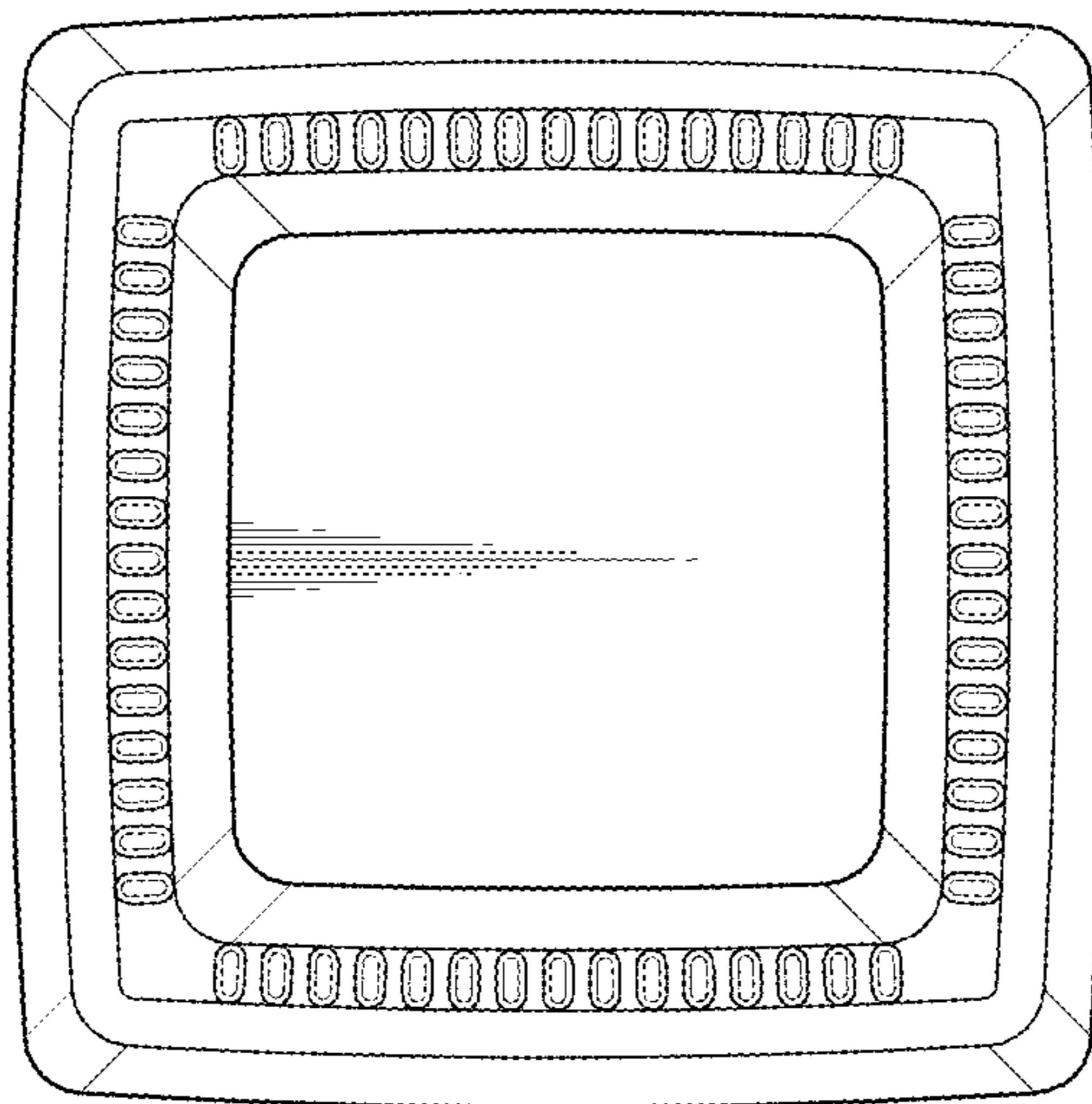


FIG. 3

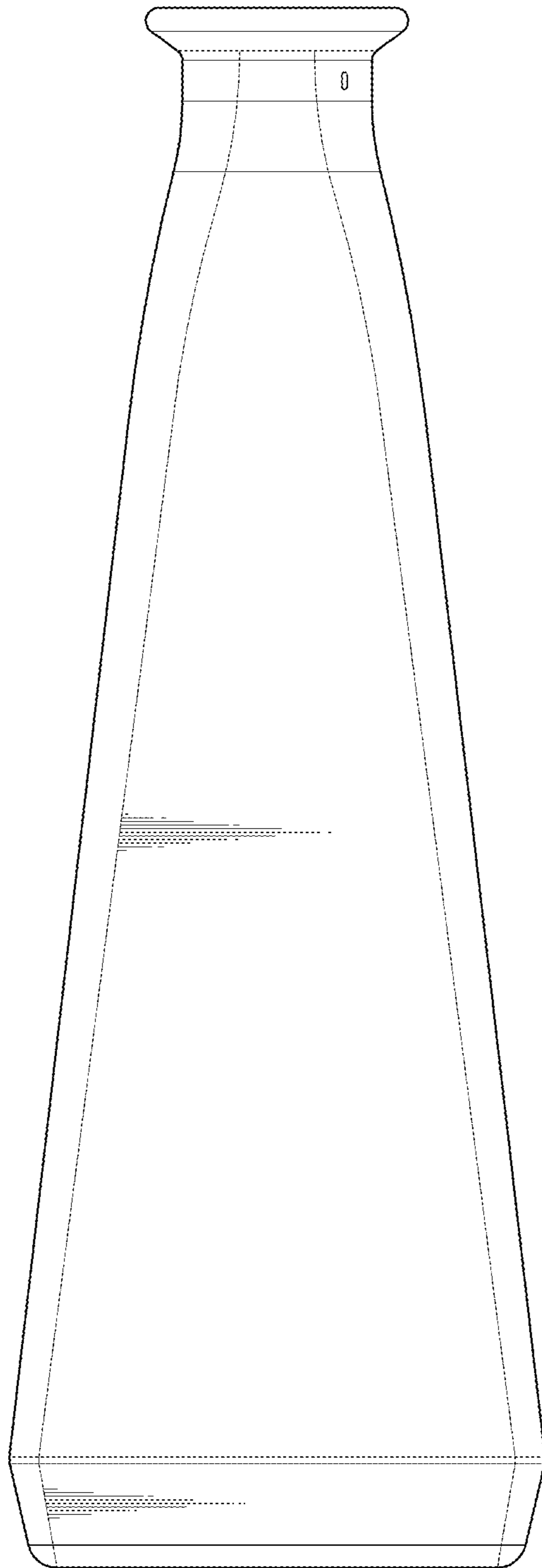


FIG. 4

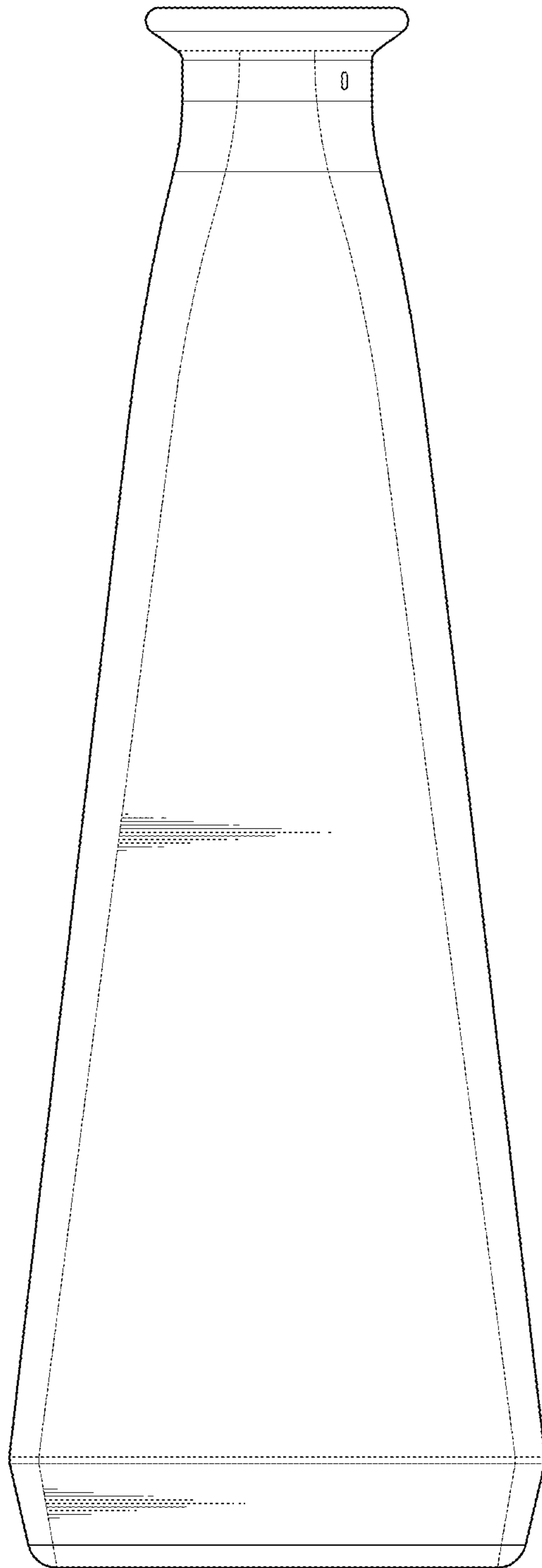


FIG. 5

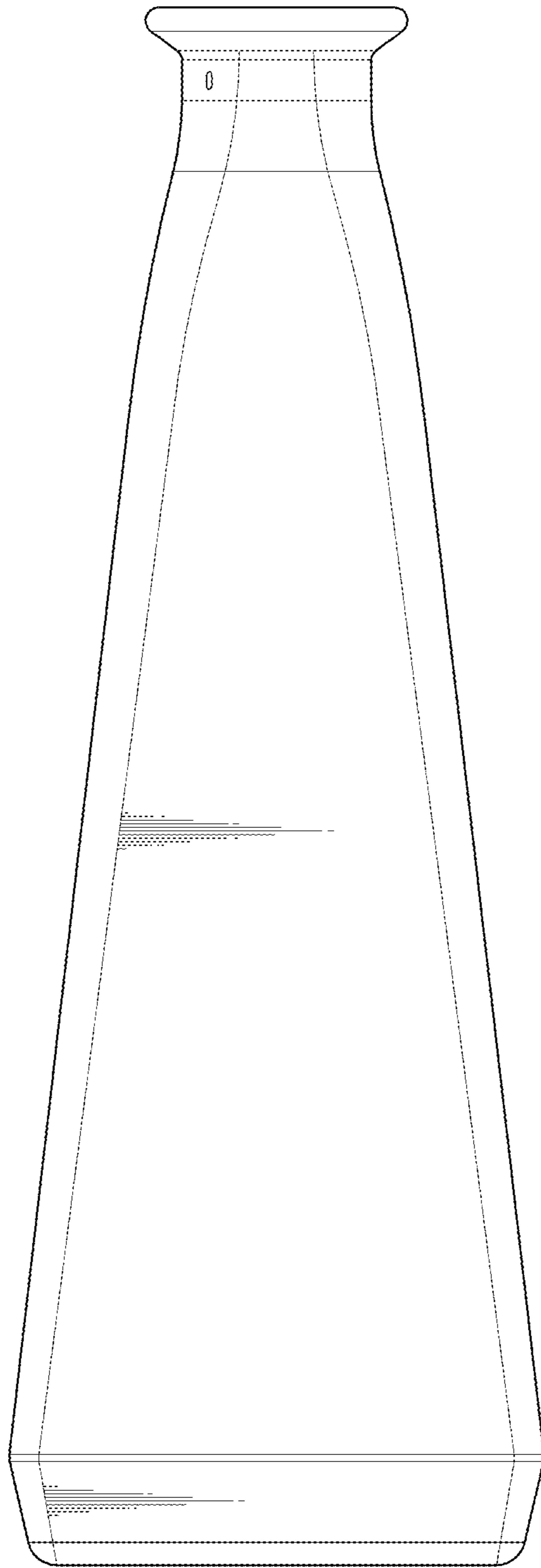


FIG. 6

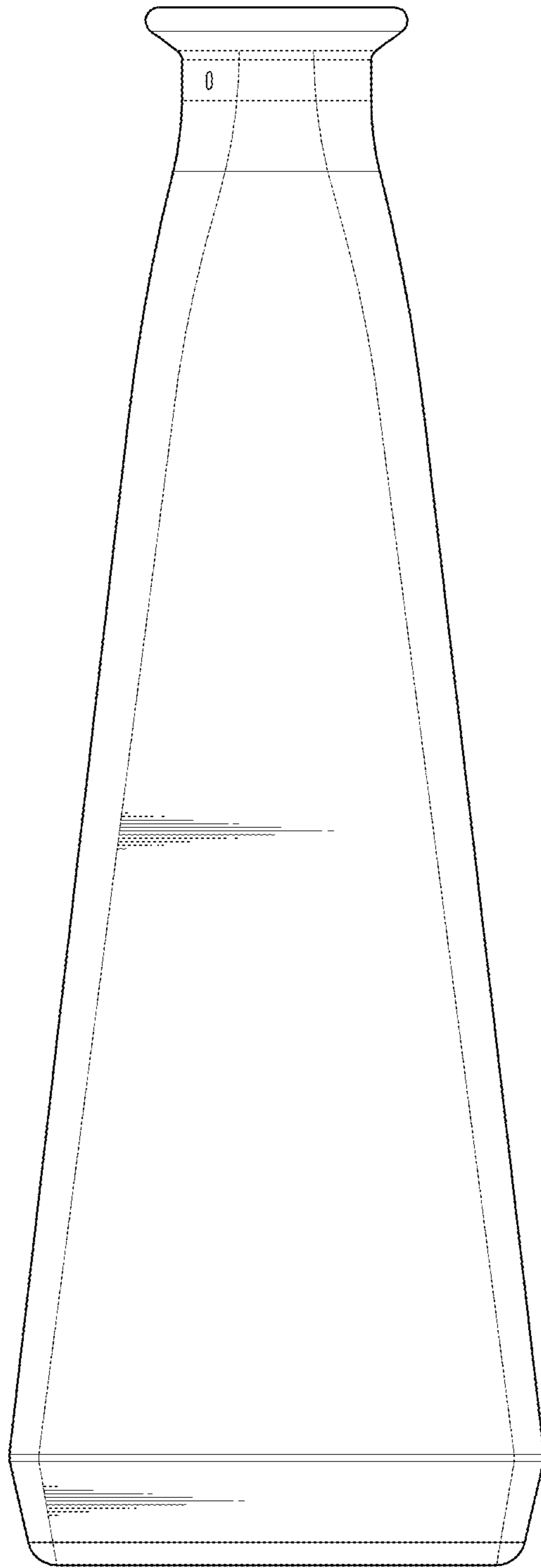


FIG. 7

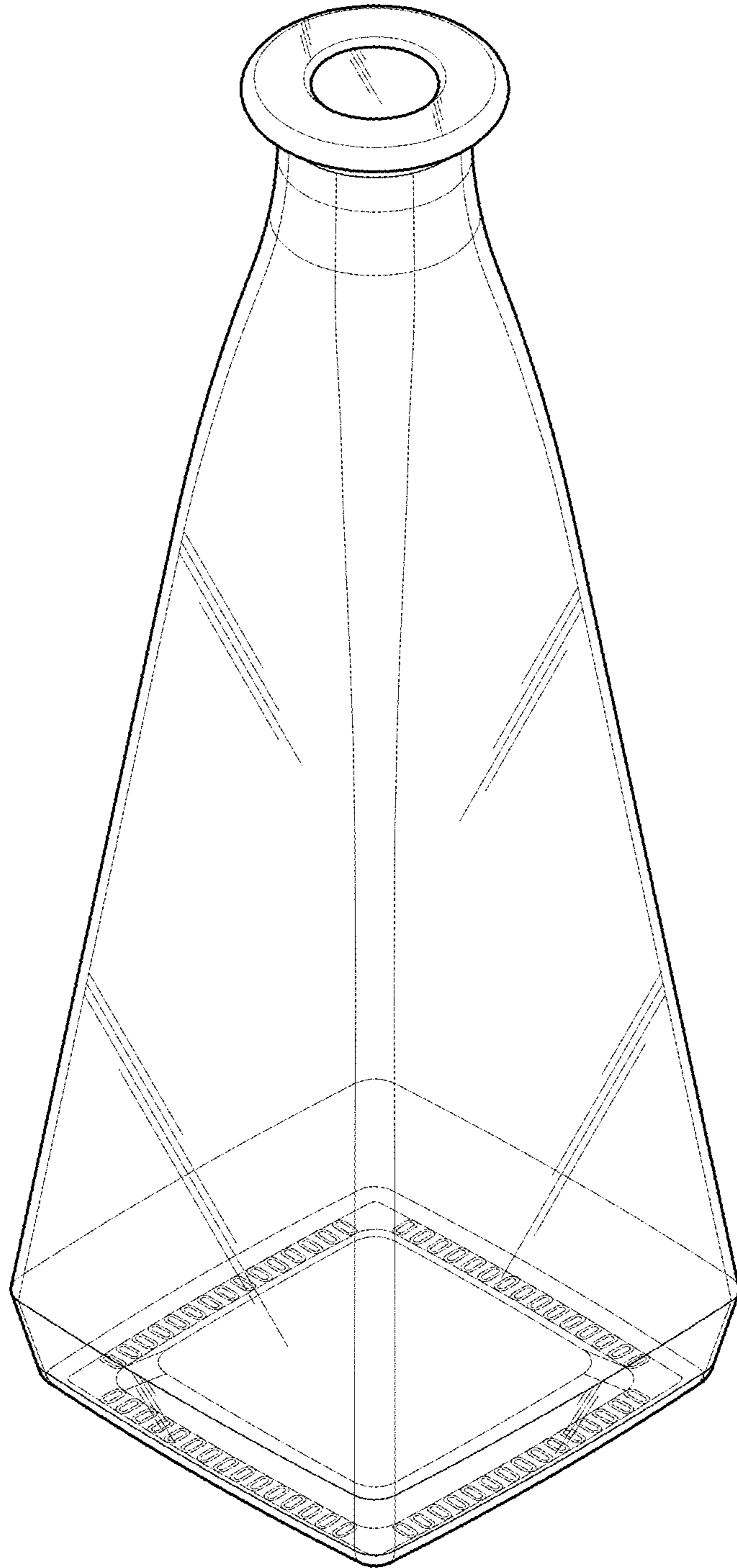


FIG. 8

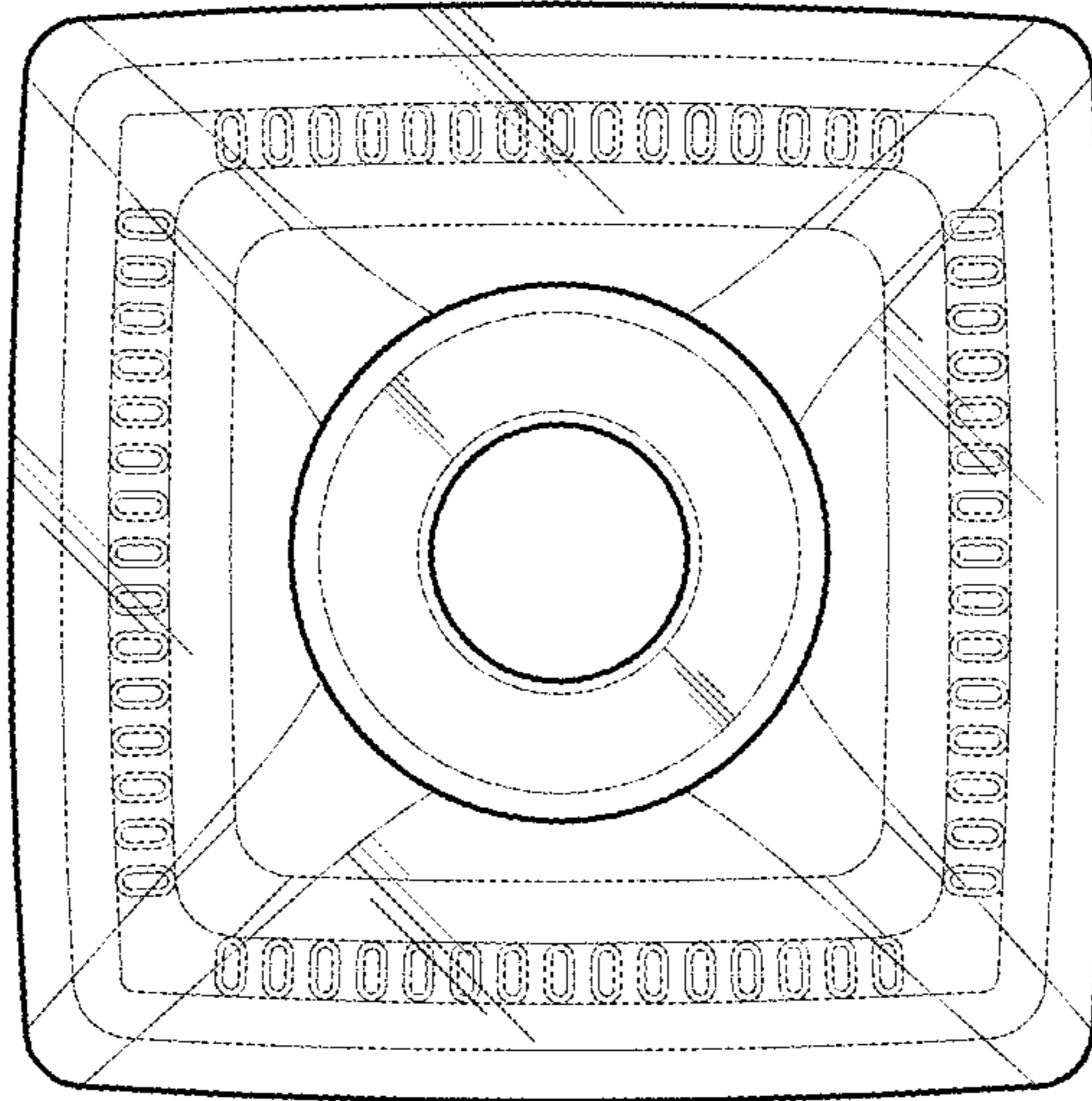


FIG. 9

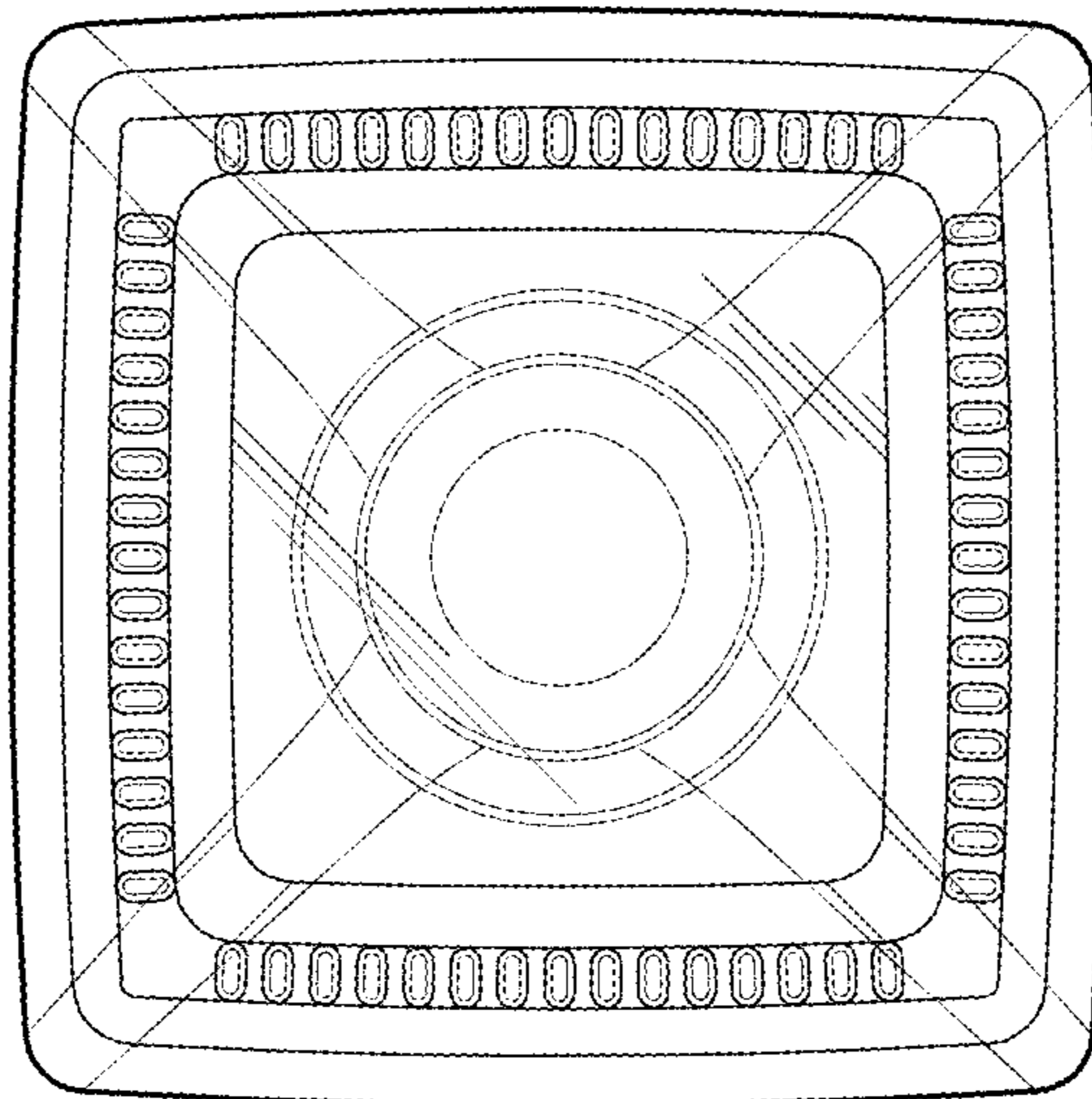


FIG. 10

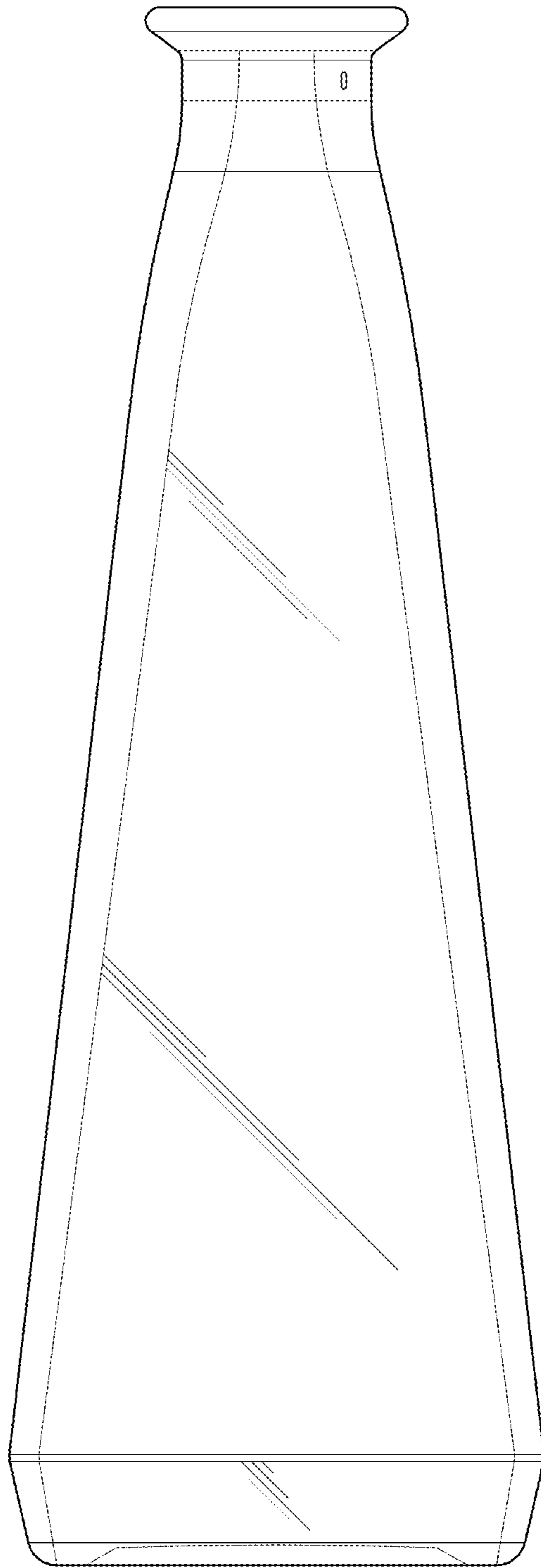


FIG. 11

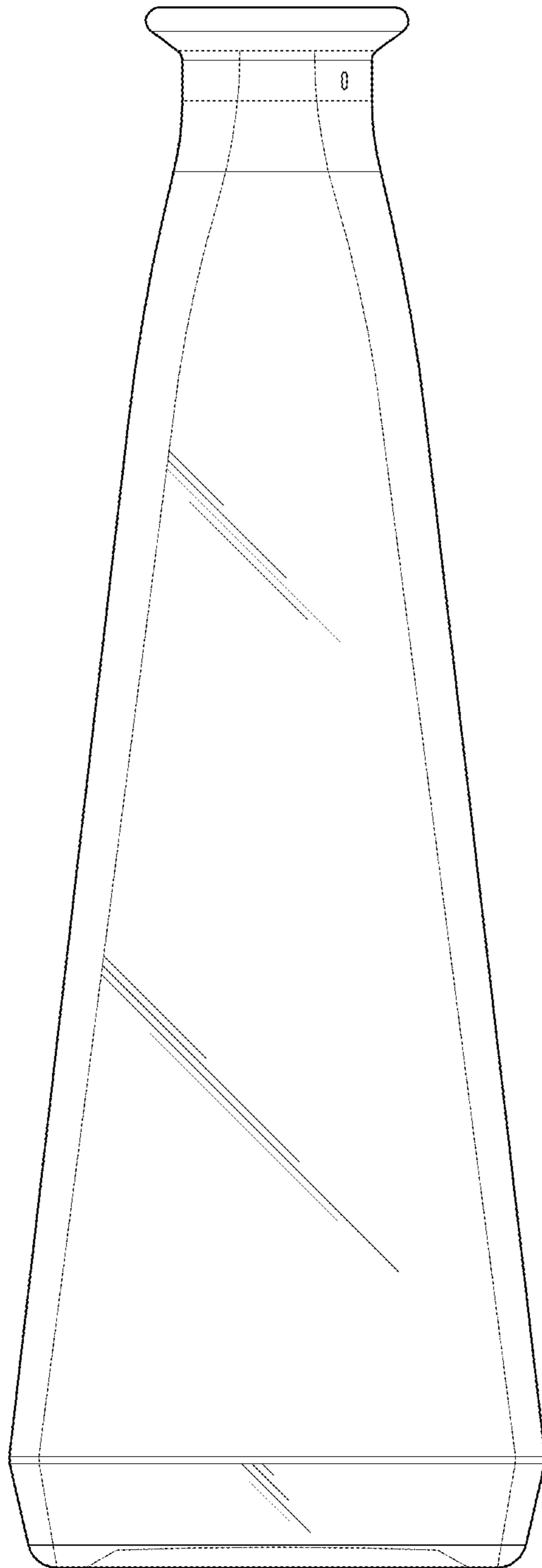


FIG. 12

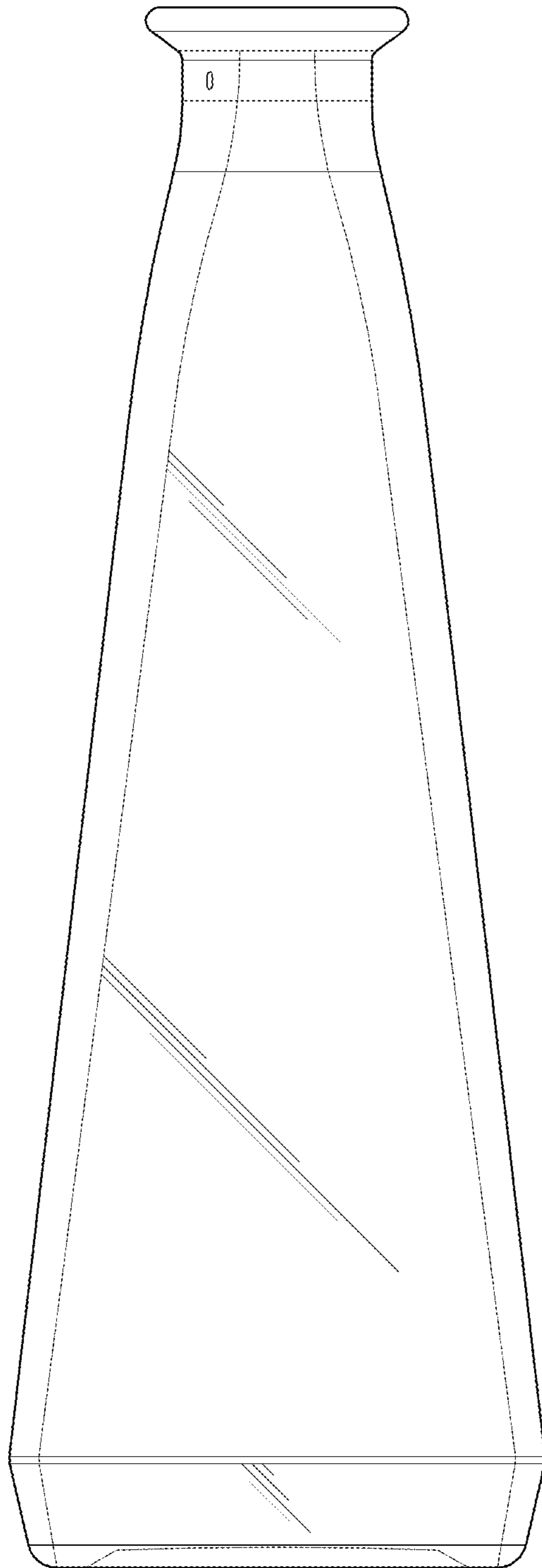


FIG. 13

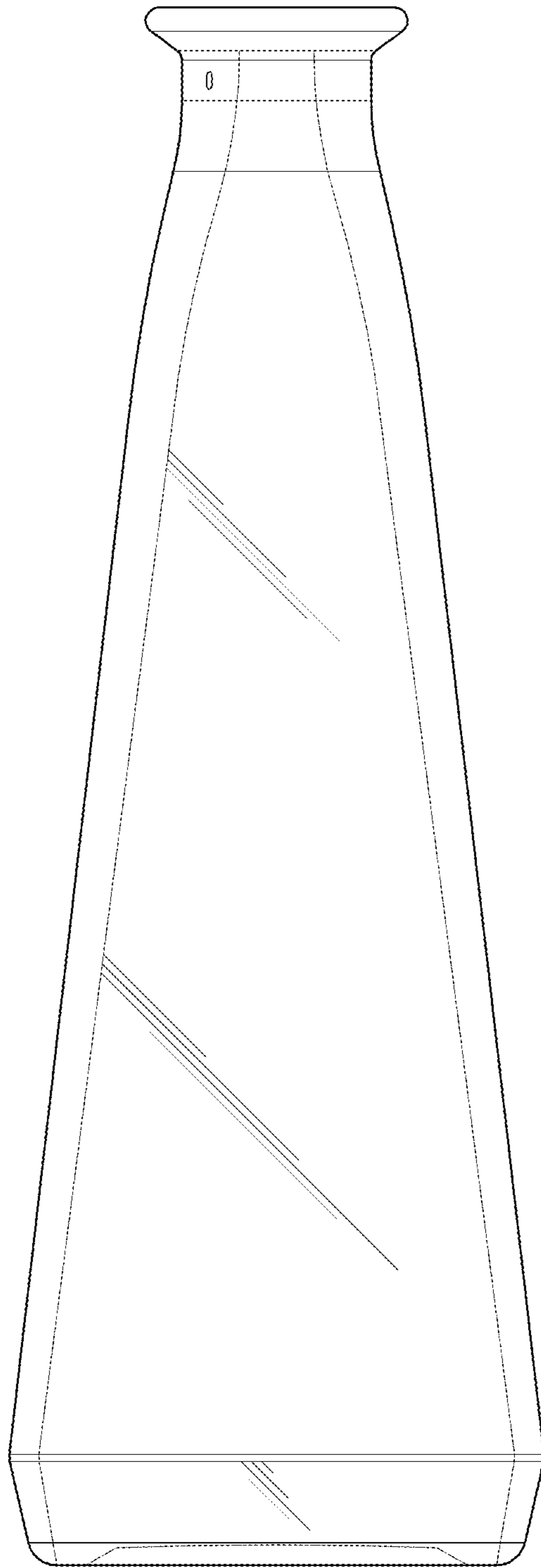


FIG. 14