



(12) **United States Design Patent**
Yamada

(10) **Patent No.:** **US D960,708 S**
(45) **Date of Patent:** **** Aug. 16, 2022**

(54) **LID FOR A CUP**

(71) Applicant: **Kikuo Yamada**, Tokyo (JP)

(72) Inventor: **Kikuo Yamada**, Tokyo (JP)

(**) Term: **15 Years**

(21) Appl. No.: **29/829,988**

(22) Filed: **Mar. 9, 2022**

Related U.S. Application Data

(62) Division of application No. 29/695,186, filed on Jun. 17, 2019, now Pat. No. Des. 947,675.

(30) **Foreign Application Priority Data**

Dec. 17, 2018 (JP) 2018-27452

Dec. 21, 2018 (JP) 2018-28142

(Continued)

(51) **LOC (13) Cl.** **09-07**

(52) **U.S. Cl.**
USPC **D9/454**

(58) **Field of Classification Search**

USPC D3/202; D7/509-511, 550.1, 601, 619.1,
D7/624.1, 635, 354, 387, 391, 392, 1,

(Continued)

(56) **References Cited**

U.S. PATENT DOCUMENTS

1,953,933 A 4/1934 Gundelach
2,315,591 A * 4/1943 Carew A47G 19/02
220/574.3

(Continued)

OTHER PUBLICATIONS

Leabon Intl Beverage Container Lid: Announced [Mar. 24, 2021].
Site Visited [Apr. 18, 2022]. Available from Internet URL: <https://www.leabonpack.com/new-arrival-for-hot-drink/>.*

(Continued)

Primary Examiner — Catherine S Posthauer

(74) *Attorney, Agent, or Firm* — Young Basile Hanlon & MacFarlane, P.C.

(57) **CLAIM**

The ornamental design for a lid for a cup, as shown and described.

DESCRIPTION

FIG. 1 is a front view of a first embodiment of a lid for a cup of my new design;

FIG. 2 is a rear view thereof;

FIG. 3 is a left view thereof;

FIG. 4 is a right view thereof;

FIG. 5 is a top view thereof;

FIG. 6 is a perspective view thereof;

FIG. 7 is a reference perspective view thereof in a first environment; and

FIG. 8 is a reference perspective view thereof in a second environment.

FIG. 9 is a front view of a second embodiment of a lid for a cup of my new design;

FIG. 10 is a rear view thereof;

FIG. 11 is a left view thereof;

FIG. 12 is a right view thereof;

FIG. 13 is a top view thereof;

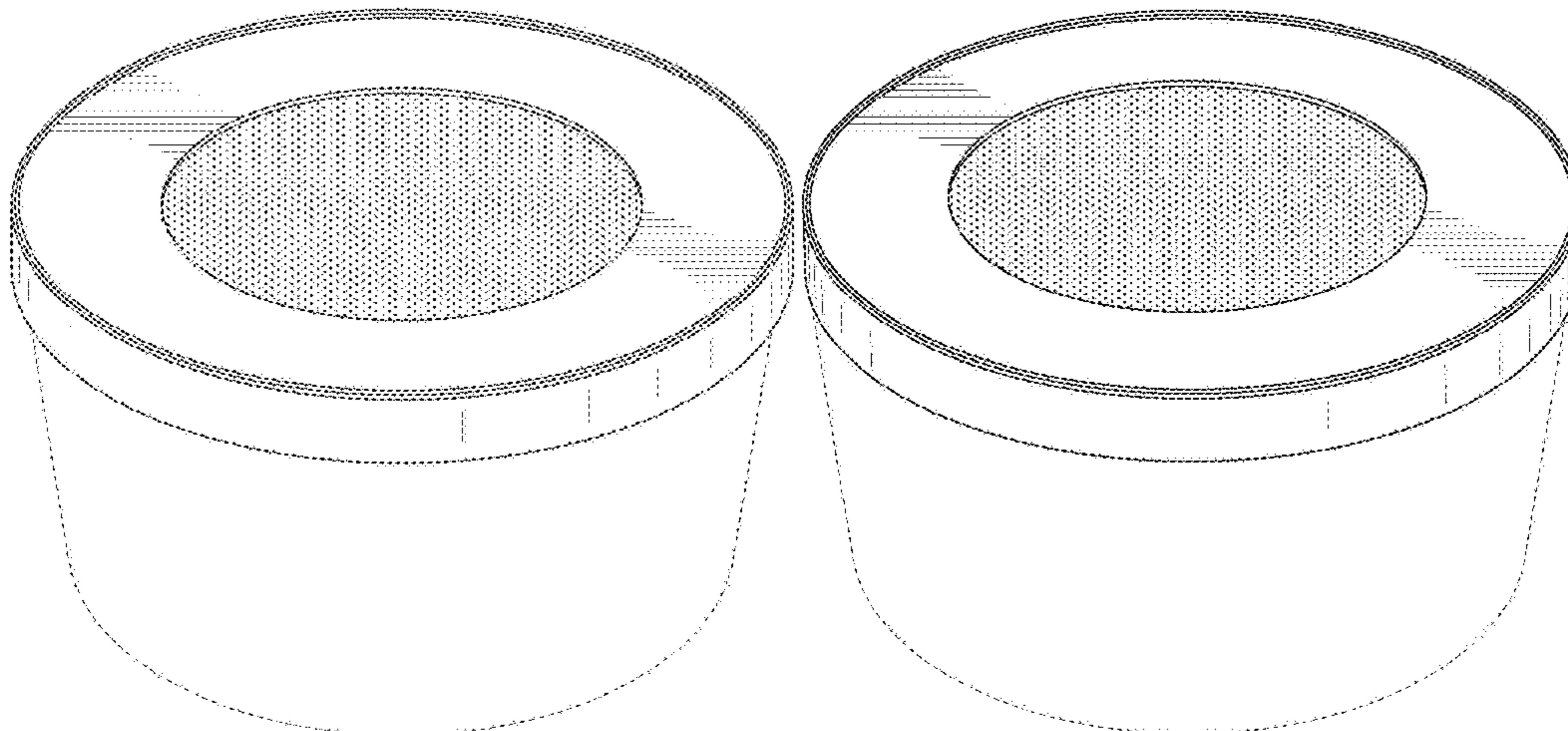
FIG. 14 is a perspective view thereof;

FIG. 15 is a reference perspective view thereof in a first environment; and,

FIG. 16 is a reference perspective view thereof in a second environment.

Broken lines in the drawings represent an unclaimed environment of a cup and form no part of the claimed design. The drawings include stipple shading to show contrast of materials.

1 Claim, 16 Drawing Sheets



(30) Foreign Application Priority Data

Dec. 21, 2018	(JP)	2018-28143
Jan. 11, 2019	(JP)	2019-00418
Jan. 24, 2019	(JP)	2019-01250
Jan. 24, 2019	(JP)	2019-01251
Jan. 24, 2019	(JP)	2019-01252
Jan. 29, 2019	(JP)	2019-01531
Jan. 29, 2019	(JP)	2019-01532
Feb. 21, 2019	(JP)	2019-03491
Mar. 18, 2019	(JP)	2019-05713
Mar. 19, 2019	(JP)	2019-05758
Mar. 26, 2019	(JP)	2019-06358
Mar. 26, 2019	(JP)	2019-06359
Mar. 26, 2019	(JP)	2019-06360
Mar. 26, 2019	(JP)	2019-06361

D816,500	S	5/2018	Torrison et al.	
D821,658	S *	6/2018	Danenberg	D30/121
D828,158	S	9/2018	Manis	
D843,211	S	3/2019	Ghorbani	
D845,064	S	4/2019	Mulhauser et al.	
10,479,575	B2	11/2019	Danenberg et al.	
D880,224	S	4/2020	Wiggins et al.	
D887,773	S	6/2020	Fourie	
D897,051	S	9/2020	Kerr et al.	
10,875,685	B2	12/2020	Luburic et al.	
D908,002	S	1/2021	Bontrager et al.	
D908,421	S	1/2021	Peterson	
D916,590	S	4/2021	Albright et al.	
D917,284	S	4/2021	Albright et al.	
D926,574	S	8/2021	Yamada	
D926,575	S	8/2021	Yamada	
11,124,335	B1	9/2021	Mahan	
D932,844	S *	10/2021	Falkenberg	D7/624.1
D934,075	S	10/2021	Oh	
2002/0125250	A1	9/2002	Fang	
2005/0130775	A1 *	6/2005	Hylak	A63B 67/04 473/588
2009/0206089	A1	8/2009	Mueller	
2010/0288827	A1	11/2010	Booth	
2012/0318816	A1	12/2012	Lin	
2014/0042158	A1	2/2014	Witkowski et al.	
2016/0058223	A1	3/2016	Savenok	
2017/0196194	A1 *	7/2017	Wild	A01K 1/0157
2018/0206660	A1	7/2018	Heiman	
2019/0375560	A1	12/2019	Tobias	
2020/0128982	A1	4/2020	Tseng	
2020/0346820	A1	11/2020	Sa	
2021/0086958	A1	3/2021	Tobias	
2021/0198014	A1	7/2021	Zhu et al.	
2021/0237945	A1	8/2021	Tanaka et al.	

(58) Field of Classification Search

USPC D7/396.1, 396.2, 396.6; D9/434, 435, D9/436, 438, 439, 440, 445, 447, 448, D9/452, 454, 455
 CPC .. B65D 43/0212; B65D 43/0218; B65D 1/36; B65D 51/28; B65D 2543/00046; B65D 2543/00027; B65D 2543/00092; B65D 2543/00296; B65D 2543/00351; B65D 2543/00537; B65D 2543/00731; B65D 47/2018; B65D 47/06; B65D 51/24; A47G 21/06; A47G 21/00; A47G 19/00; A47G 19/02

See application file for complete search history.

(56) References Cited

U.S. PATENT DOCUMENTS

2,464,131	A *	3/1949	Guyer	B65D 15/06 229/4.5
D207,051	S *	2/1967	Bainbridge	D9/447
3,371,847	A	3/1968	Stengle	
3,743,133	A	7/1973	Rathbun	
D229,038	S	11/1973	Schutz	
3,831,798	A	8/1974	Rowe et al.	
3,977,559	A	8/1976	Lombardi	
4,090,004	A	5/1978	Tebbutt et al.	
D286,028	S *	10/1986	DiFede	D9/435
4,767,019	A	8/1988	Horner	
D311,140	S	10/1990	Nelson	
D358,531	S	5/1995	Cousins et al.	
D404,304	S	1/1999	Kick	
D405,692	S	2/1999	Johnson	
5,897,019	A	4/1999	Stropkay	
5,906,288	A	5/1999	Dwinell	
D419,448	S	1/2000	Kick	
D433,597	S	11/2000	Fradkin	
D459,094	S *	6/2002	Stone	D6/309
D474,068	S	5/2003	Fujii et al.	
D494,474	S *	8/2004	Houk	D9/504
D525,826	S	8/2006	Kugler	
D570,213	S	6/2008	Newman	
D601,309	S	9/2009	Babal	
D615,861	S	5/2010	Watts et al.	
D631,284	S	1/2011	Fuller	
D642,425	S	8/2011	Hale	
D665,055	S *	8/2012	Yanagisawa	D23/261
D696,113	S	12/2013	Stein	
D696,940	S	1/2014	Hale et al.	
D731,239	S *	6/2015	Rothfield	D7/392.1
D752,978	S	4/2016	Zabeleta et al.	
D767,329	S	9/2016	Mock	
D786,673	S	5/2017	Moffat	
D795,007	S	8/2017	Plassmeyer	
D807,746	S	1/2018	Fleming	

OTHER PUBLICATIONS

Haso Innovation & Technology: Announced [Mar. 25, 2019]. Site Visited [Apr. 18, 2022]. Available from Internet URL: <http://hasoldt.com/coffee/index.html>.*

Haso Lid Product Catalog: Announced [Jan. 3, 2022]. Site Visited [Apr. 18, 2022]. Available from Internet URL: http://www.hasoldt.com/coffee/EN_LID%20catalog.pdf.*

Bio&Chic Double Wall Compostable Paper Cup: Site Visited [Apr. 17, 2022]. Available from Internet URL: <https://bioandchic.com/double-wall-compostable-paper-cups-20oz-3-5in-h-6-3in-25-pcs-per-pack-lid-not-included/>.*

U.S. Appl. No. 29/695,186, titled "Lid for a Cup," filed Jun. 17, 2019. Inventor Kikuo Yamada.

U.S. Appl. No. 29/698,511, titled "Lid for a Cup," filed Jul. 17, 2019. Inventor Kikuo Yamada.

U.S. Appl. No. 29/698,514, titled "Lid for a Cup," filed Jul. 17, 2019. Inventor Kikuo Yamada.

Paper Lid: Announced Jan. 4, 2019 (online), Site Visited (Aug. 29, 2020). Available from internet URL: http://www.g-mark-org-products.elasticbeanstalk.com/award/describe/49216?locale=zh_CN.

Paper Lid: Announced 2019 [online]. Site Visited [Aug. 10, 2020]. Available from Internet URL: <https://www.g-ark.org/award/describe/49216?locale=en>.

Good Design Award_Paper Lid: Announced [Apr. 1, 2019 (online)]. Site Visited [Mar. 25, 2022], Available from Internet URL: <https://www.g-mark.org/award/describe/49216?locale=en>.

Custom Design Bamboo Pulp Lids: Site Visited [Mar. 25, 2022], Available from Internet URL: https://www.glamanpaperlid.com/custom-design-bamboo-pulp-paper-lids-for-cups_p262.html.

Vegware: Site Visited [Mar. 25, 2022], Available from Internet URL: <https://news.vegware.com/2021/05/13/new-pull-back-paper-lids-for-hot-cups/>.

X Haso Lids: Site visited [Mar. 25, 2022], Available from Internet URL: http://www.hasoldt.com/coffee/EN_LID%20catalog.pdf.

* cited by examiner



FIG. 1



FIG. 2



FIG. 3



FIG. 4

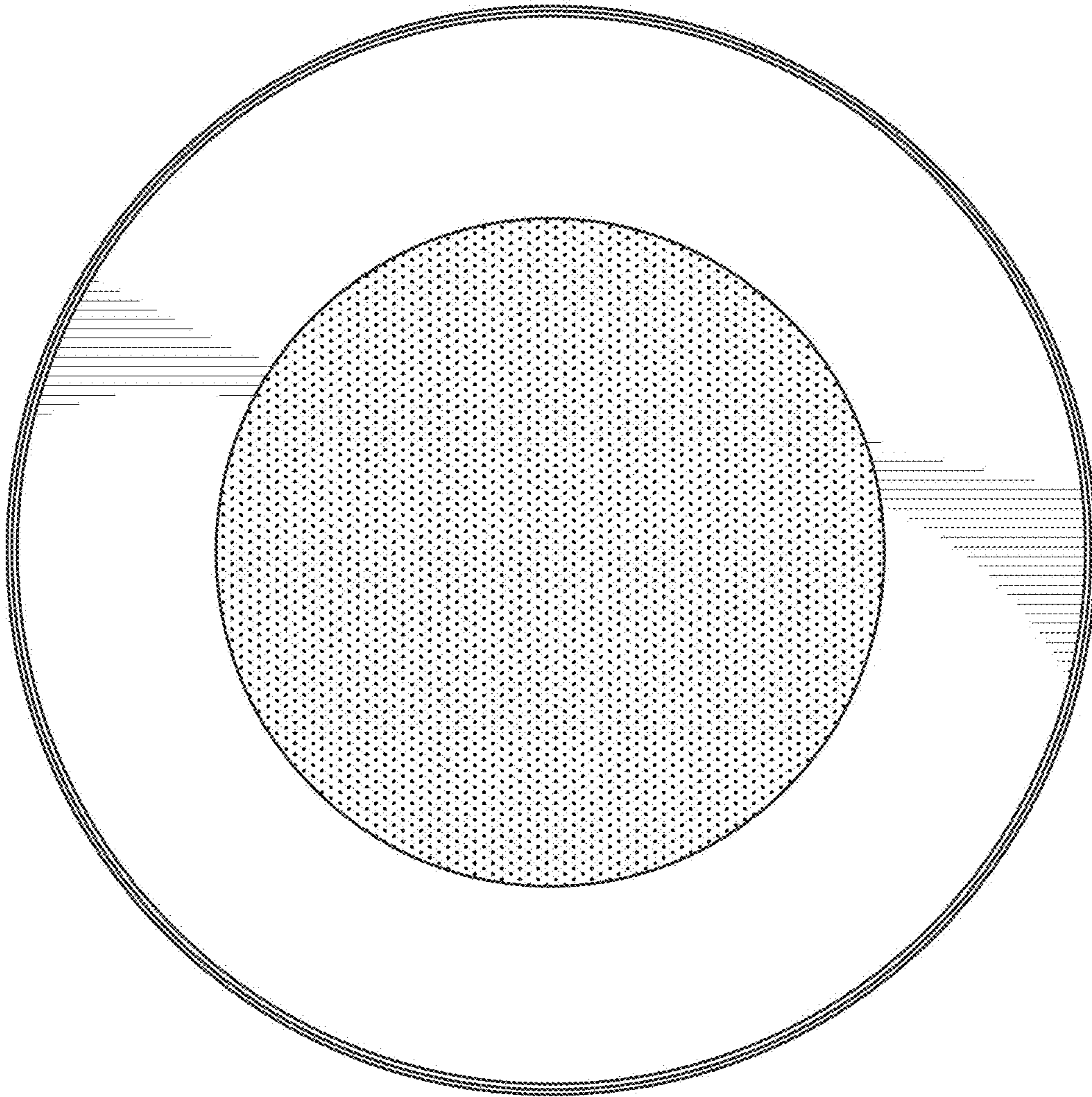


FIG. 5

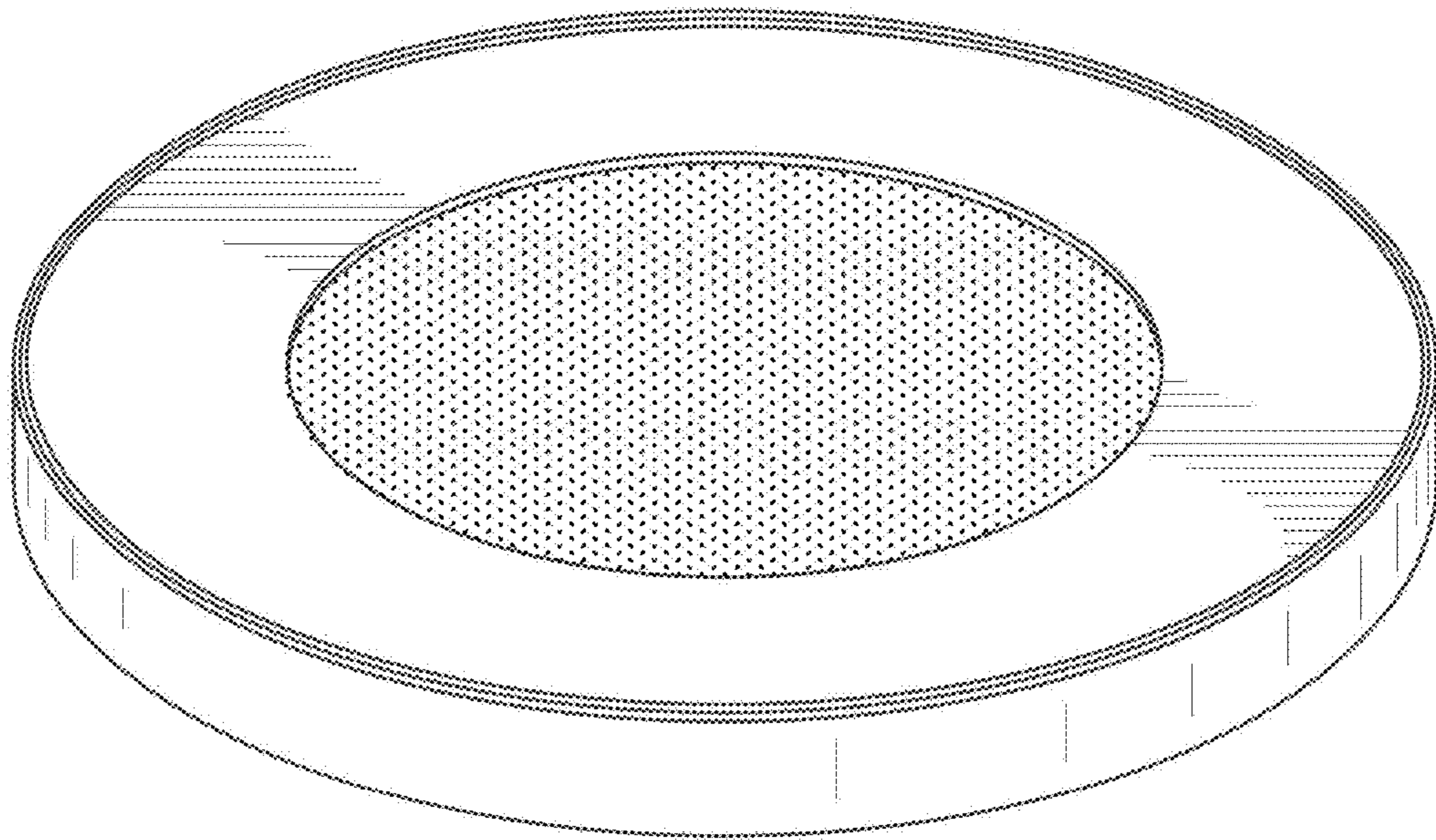


FIG. 6

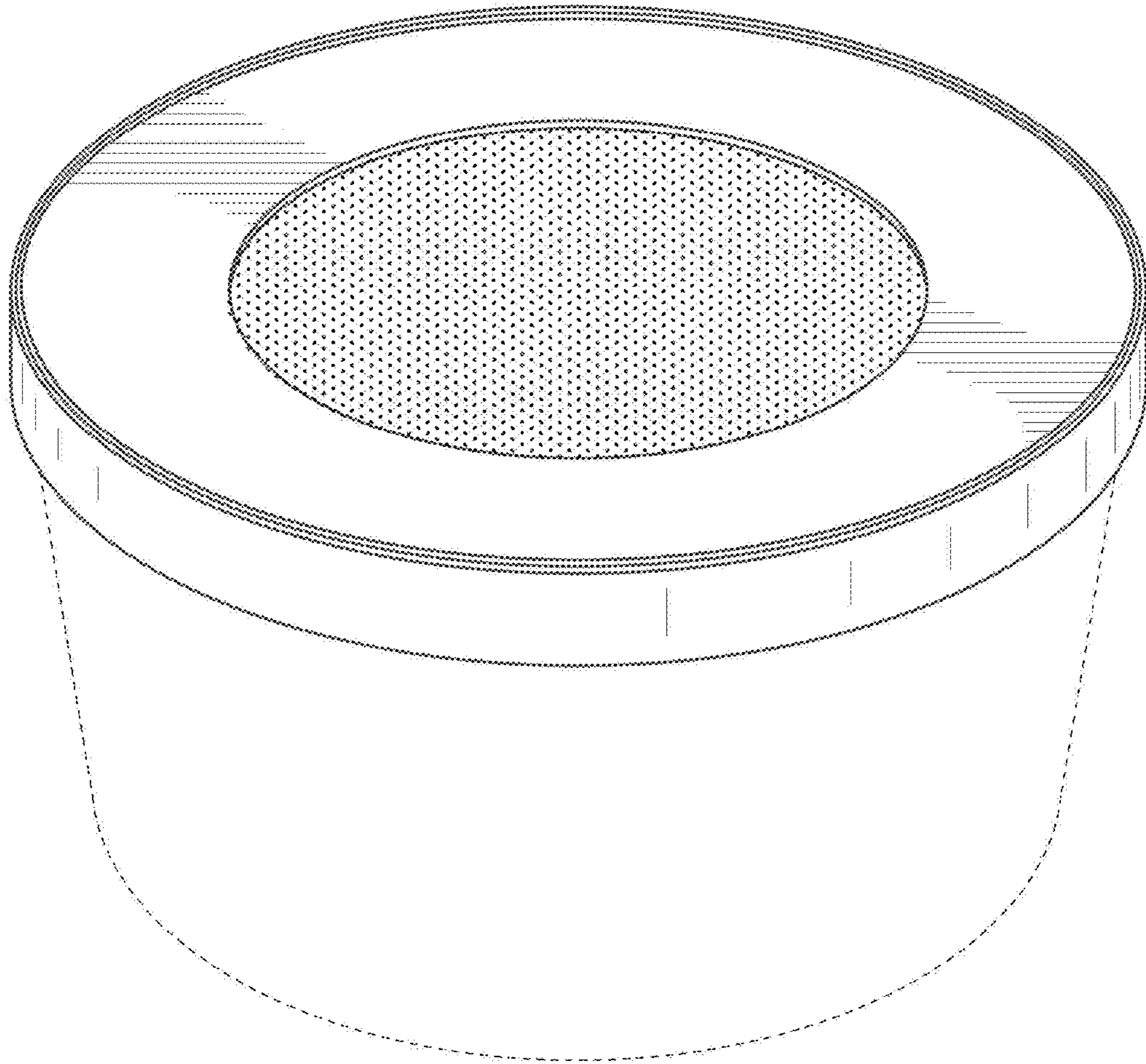


FIG. 7

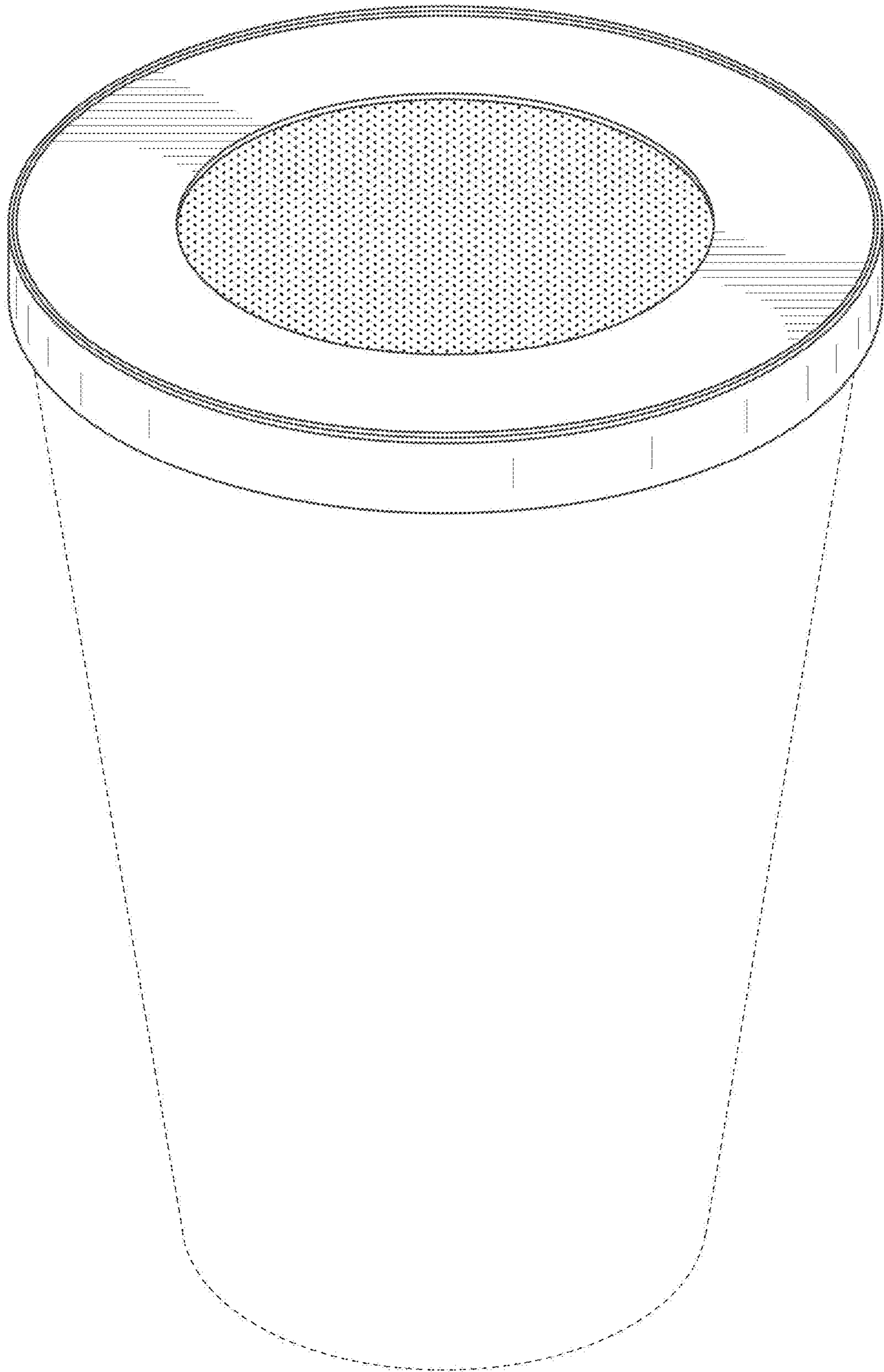


FIG. 8



FIG. 9



FIG. 10



FIG. 11



FIG. 12

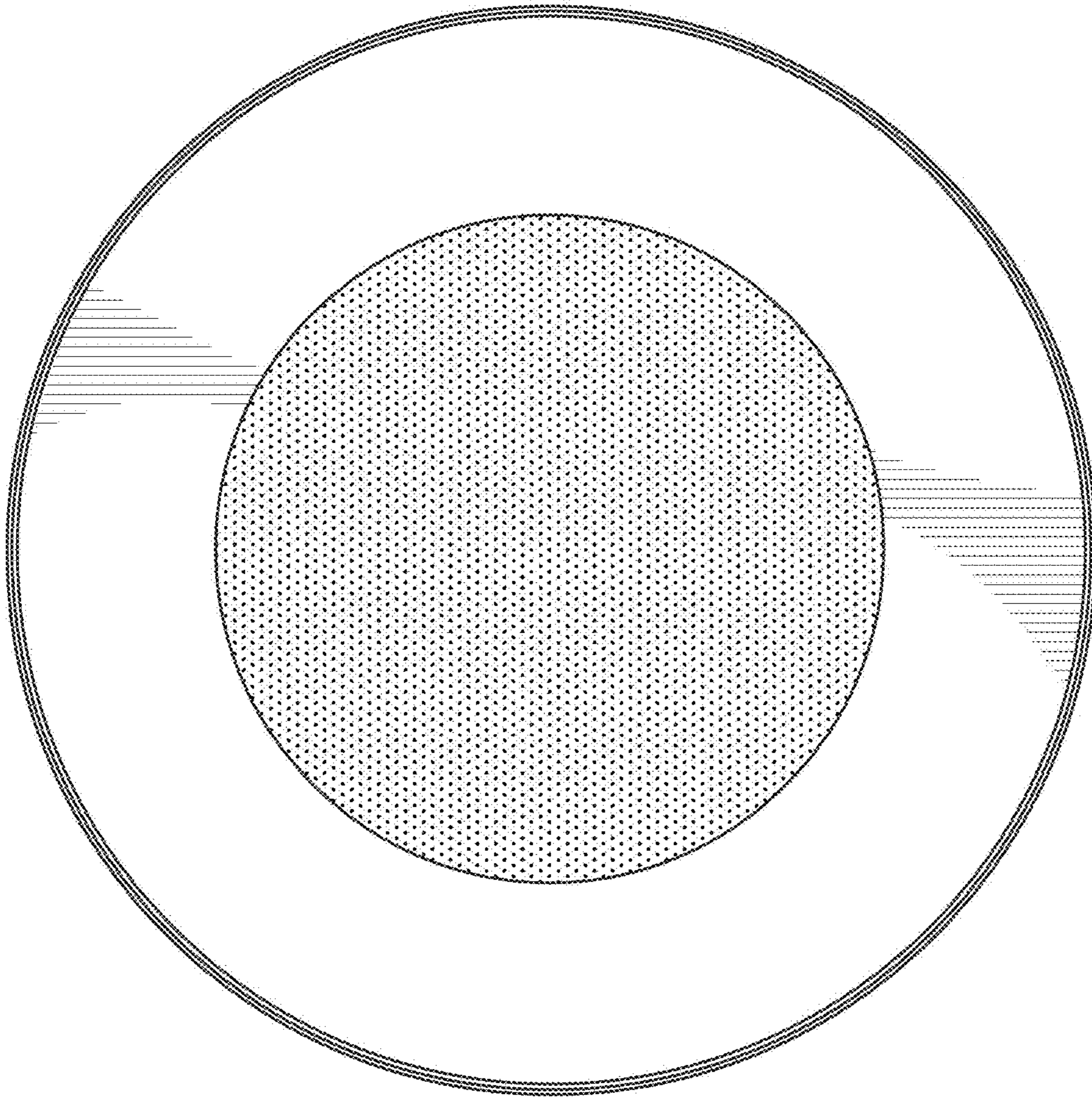


FIG. 13

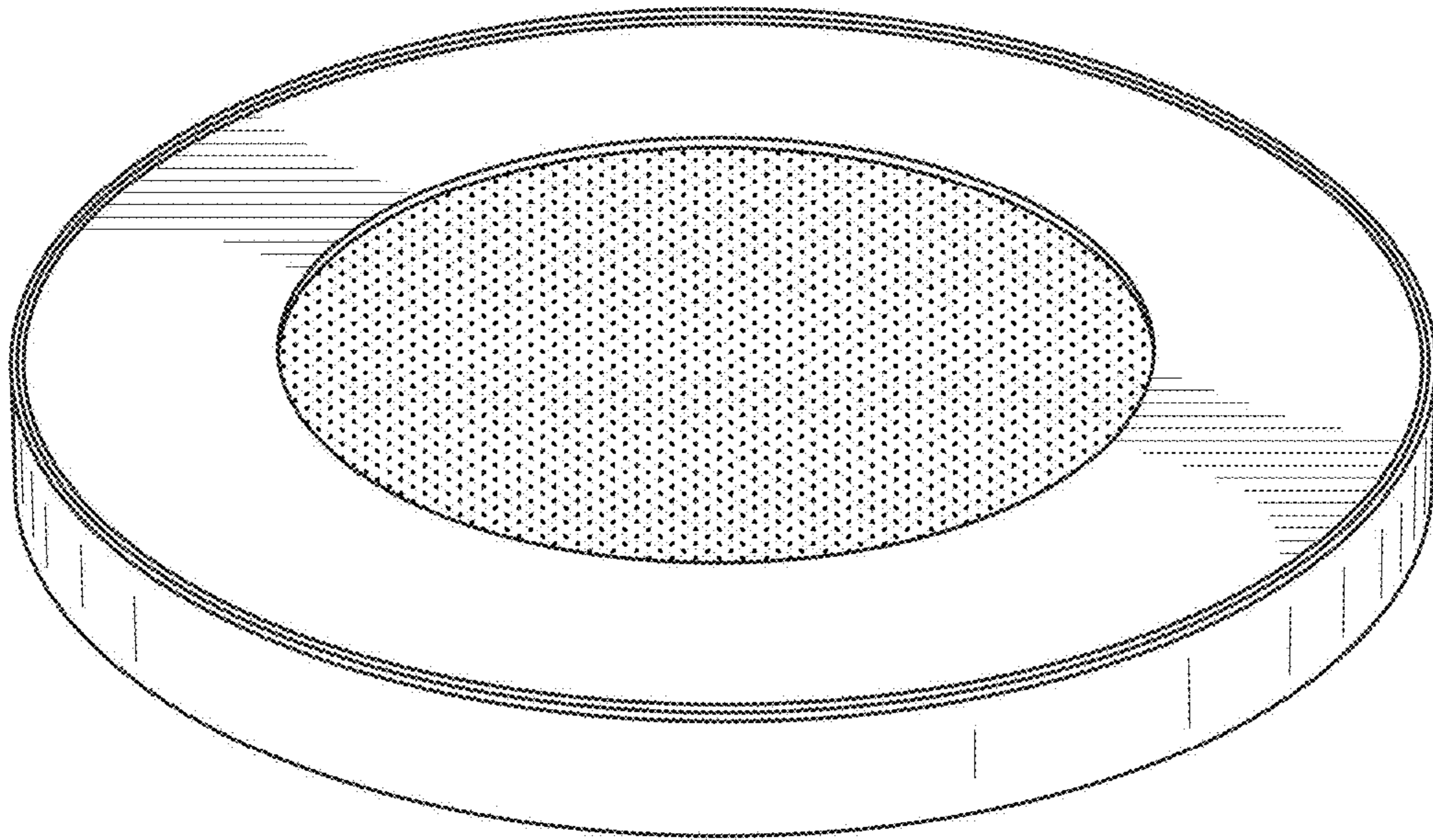


FIG. 14

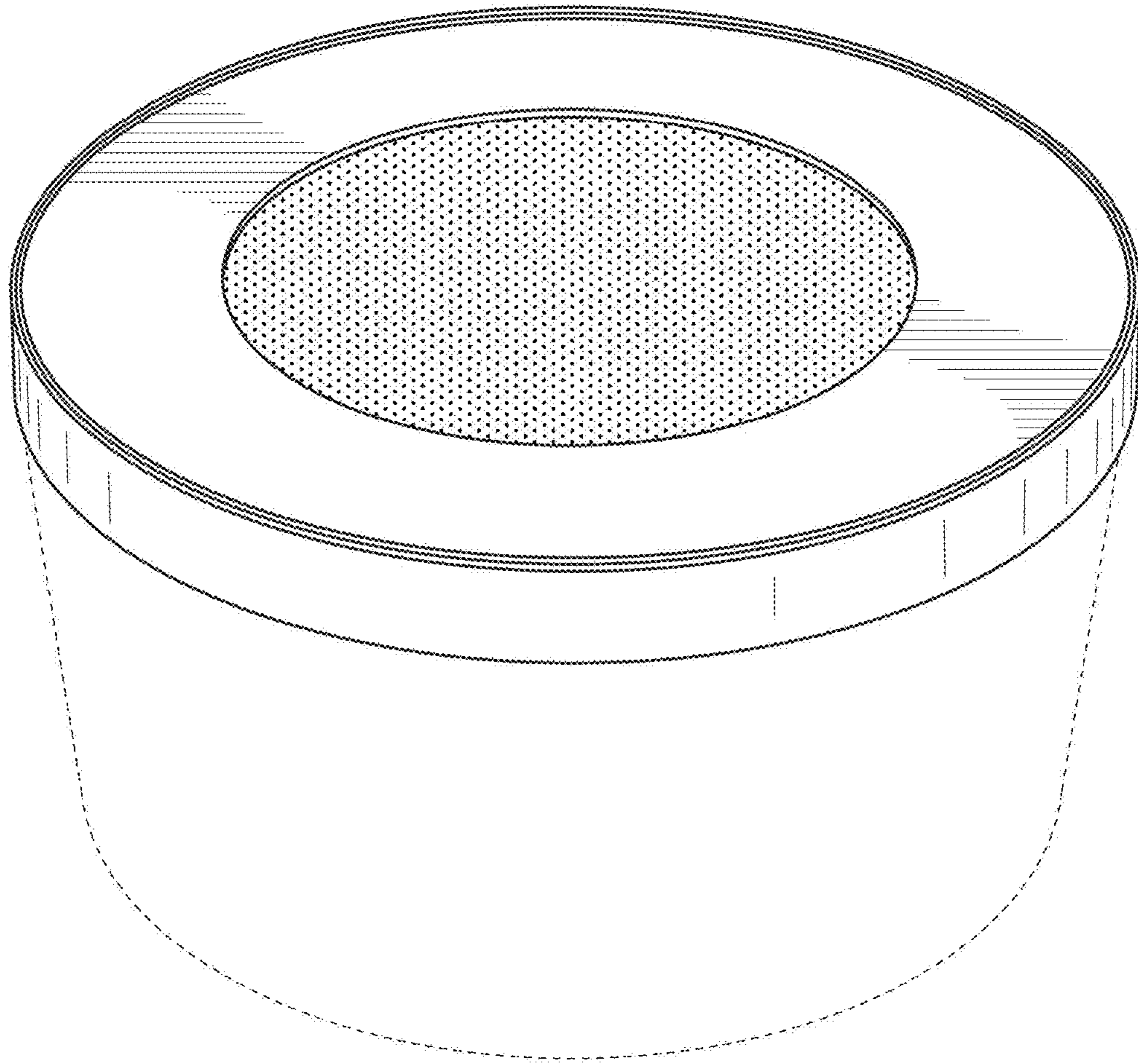


FIG. 15

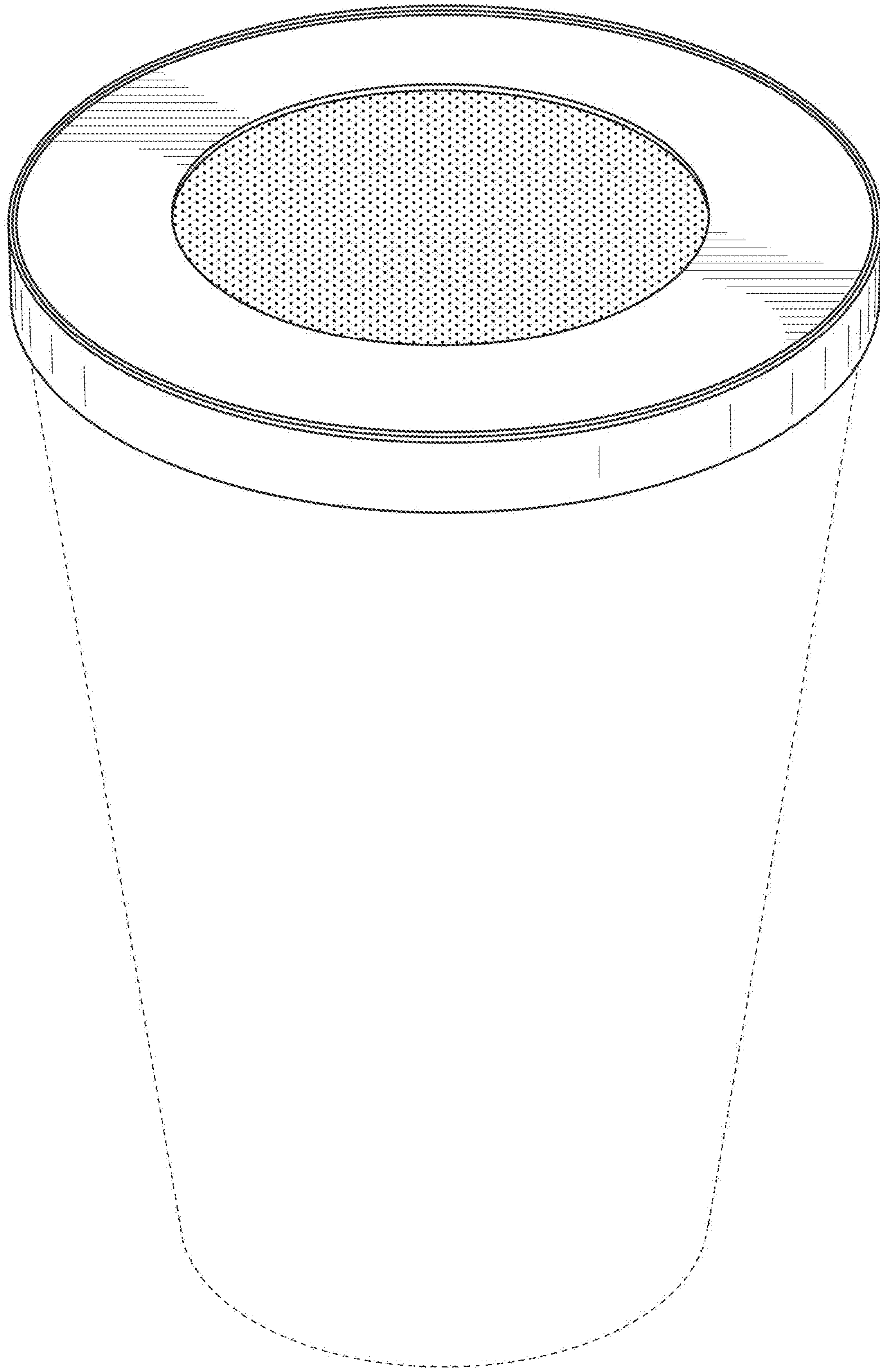


FIG. 16