



US00D960705S

(12) **United States Design Patent** (10) **Patent No.:** **US D960,705 S**
Nervo (45) **Date of Patent:** **** Aug. 16, 2022**

(54) **SPRAYING HEAD FOR DOSING AND DISPENSING DEVICE**

(71) Applicant: **Dispensing Technologies B.V.**,
Helmond (NL)

(72) Inventor: **Paulo Nervo**, Helmond (NL)

(73) Assignee: **Dispensing Technologies B.V.**,
Helmond (NL)

(**) Term: **15 Years**

(21) Appl. No.: **35/511,028**

(22) Filed: **Jul. 2, 2020**

(80) **Hague Agreement Data**

Int. Filing Date: **Jul. 2, 2020**

Int. Reg. No.: **DM/209763**

Int. Reg. Date: **Jul. 2, 2020**

Int. Reg. Pub. Date: **Dec. 25, 2020**

(51) **LOC (13) Cl.** **09-01**

(52) **U.S. Cl.**

USPC **D9/448**

(58) **Field of Classification Search**

USPC D23/226; D9/682-694, 695, 723, 724,
D9/729, 434, 435, 436, 439, 440, 448,
D9/449

CPC A47K 5/16; A47K 5/1205; A47K 5/1217;
A47K 5/14; B05B 7/065; B05B 11/3045;
B05B 11/3046; B05B 7/0037; B05B 1/02;
B05B 11/0029; B05B 11/3011; B05B
1/3436; A61M 11/02; A61M 11/006;
A61N 5/0603; B65D 1/00; B65D 1/02;
B65D 1/10; B65D 1/46; B65D 39/00;
B65D 39/0047; B65D 2585/56; B65D
2585/545; B65D 47/00; B65D 47/06;
B65D 47/08; B65D 41/00; B65D 41/38;
B65D 41/56; B65D 41/62; B65D 5/46;
A61J 1/00; A61J 1/1412

See application file for complete search history.

(56) **References Cited**

U.S. PATENT DOCUMENTS

D495,399 S * 8/2004 Guala D23/213
D582,769 S * 12/2008 Turchi D9/448
D583,233 S * 12/2008 Cantoni D9/448

(Continued)

Primary Examiner — Michael A. Pratt

(74) *Attorney, Agent, or Firm* — KDB Firm PLLC

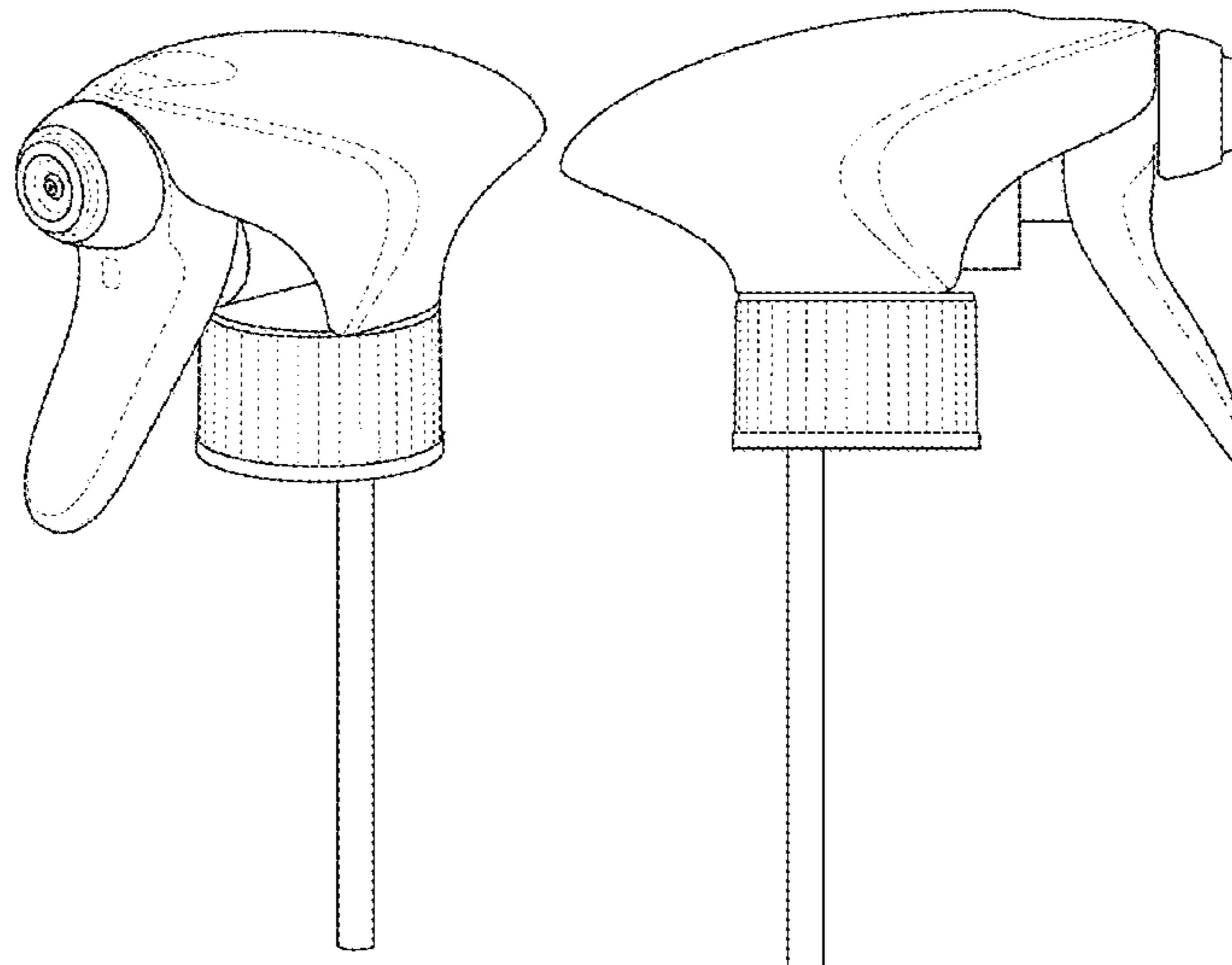
(57) **CLAIM**

The ornamental design for a spraying head for dosing and dispensing device, as shown and described.

DESCRIPTION

1.-2. Spraying head for dosing and dispensing device
FIG. 1.1 : Perspective view of a first embodiment of the spray head.
FIG. 1.2 : Left view of a first embodiment of the spray head.
FIG. 1.3: Right view of a first embodiment of the spray head.
FIG. 1.4 : Front view of a first embodiment of the spray head.
FIG. 1.5: Back view of a first embodiment of the spray head.
FIG. 1.6: Top view of a first embodiment of the spray head.
FIG. 2.1 : Perspective view of a second embodiment of the spray head.
FIG. 2.2: Left view of a second embodiment of the spray head.
FIG. 2.3: Right view of a second embodiment of the spray head.
FIG. 2.4: Front view of a second embodiment of the spray head.
FIG. 2.5: Back view of a second embodiment of the spray head.
FIG. 2.6: Top view of a second embodiment of the spray head.

1 Claim, 12 Drawing Sheets



(56)

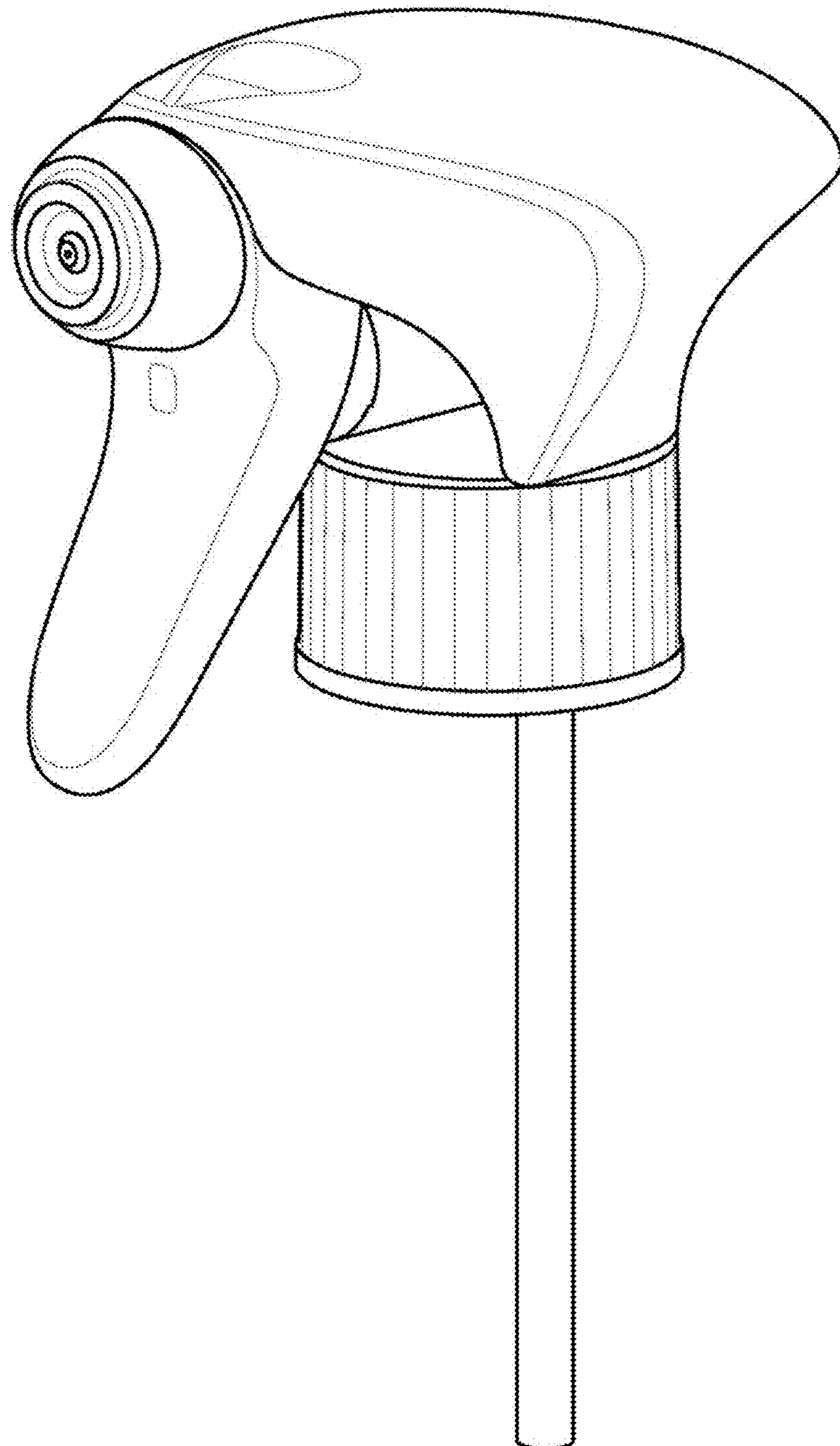
References Cited

U.S. PATENT DOCUMENTS

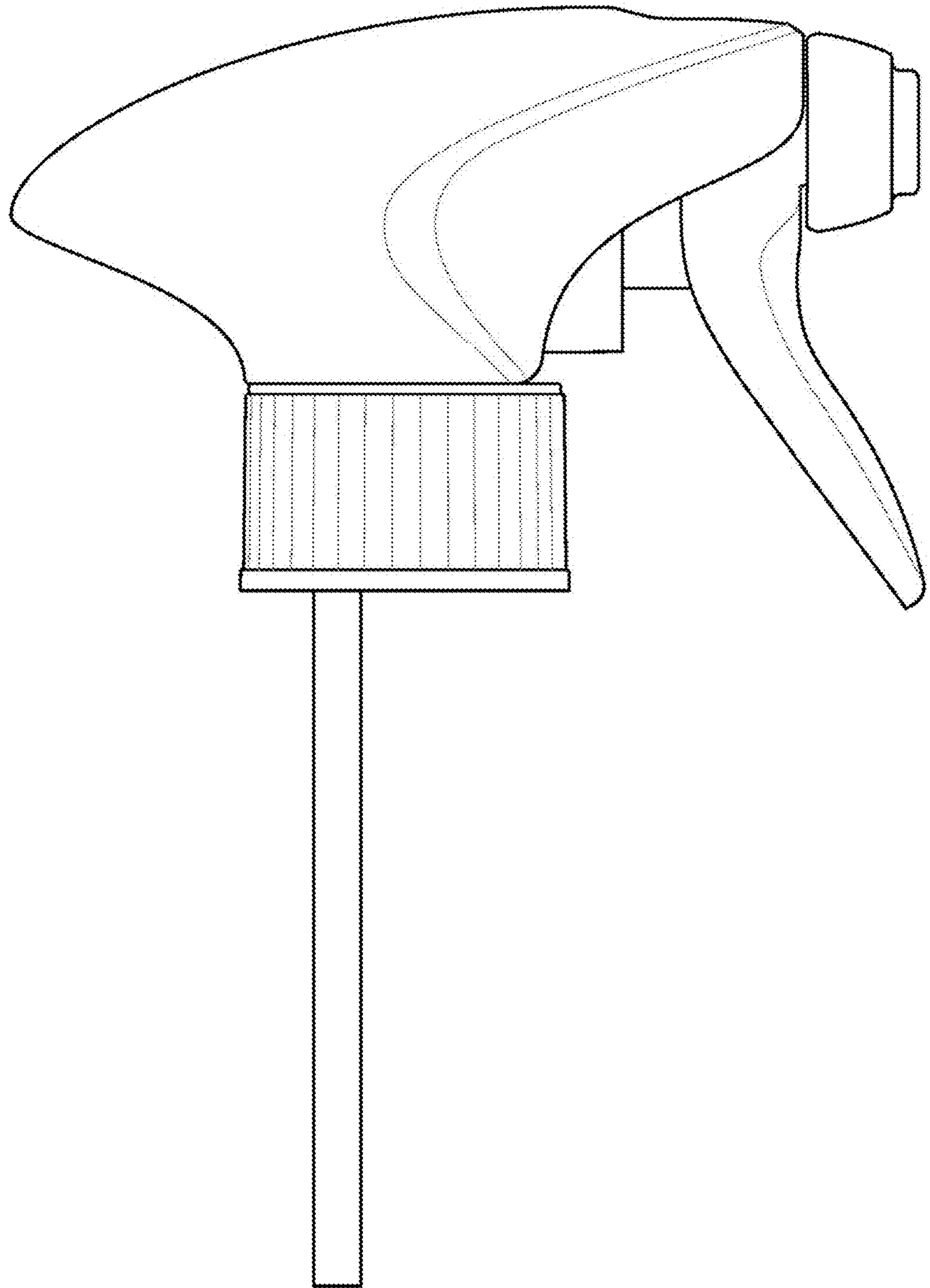
D664,431	S *	7/2012	Wang	D9/448
D837,649	S *	1/2019	Alluigi	D9/448
10,315,208	B2 *	6/2019	Rech	B05B 11/0064
10,357,791	B2 *	7/2019	Kakuta	B05B 15/30
10,391,516	B2 *	8/2019	Sumiyoshi	B05B 11/0035
10,512,925	B2 *	12/2019	Nakano	B05B 15/20
D875,526	S *	2/2020	Bos	D9/448
2006/0054642	A1 *	3/2006	Buti	B05B 11/3074
					222/383.1
2008/0149671	A1 *	6/2008	Sweeton	B05B 11/0064
					222/383.1

* cited by examiner

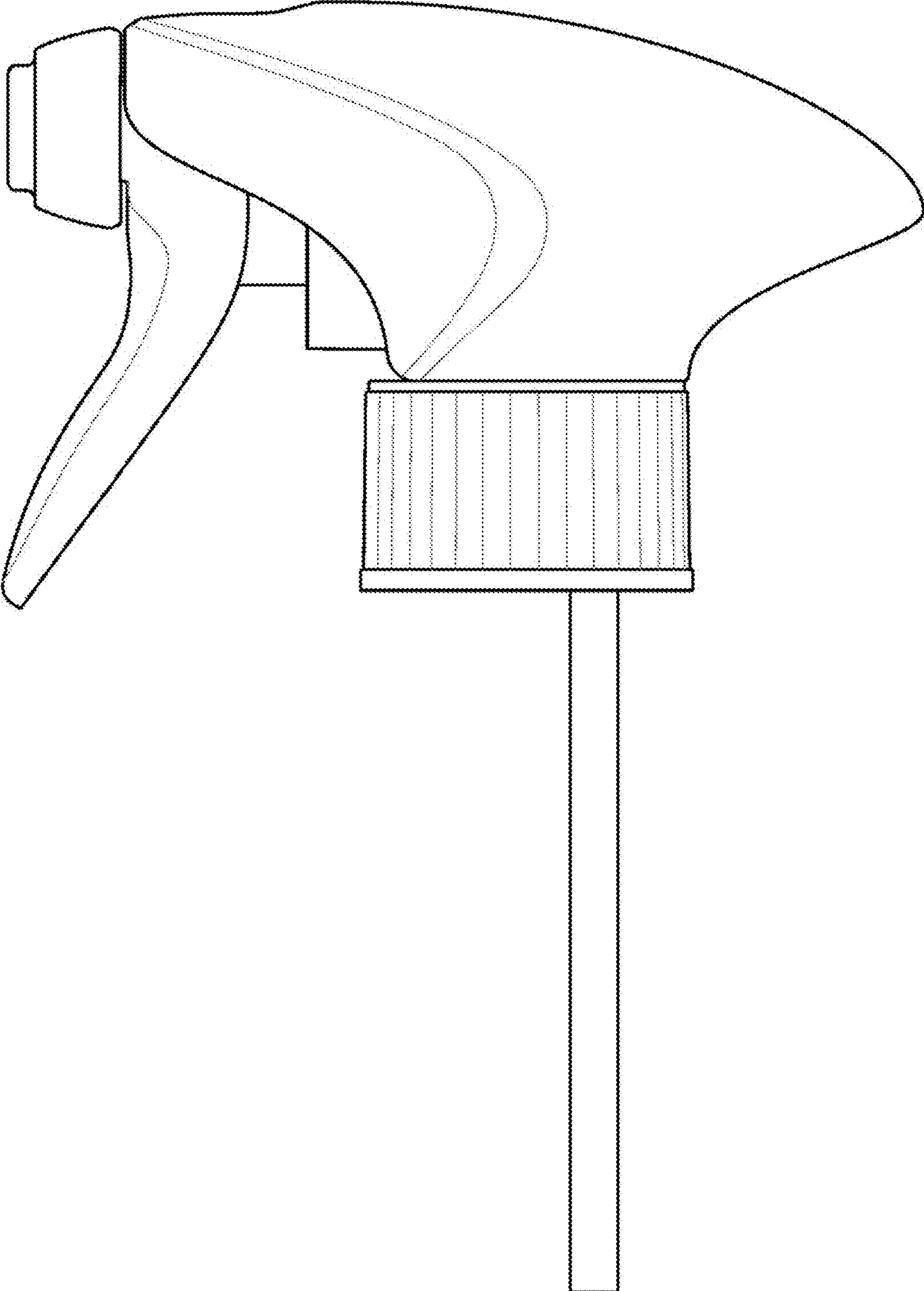
1.1



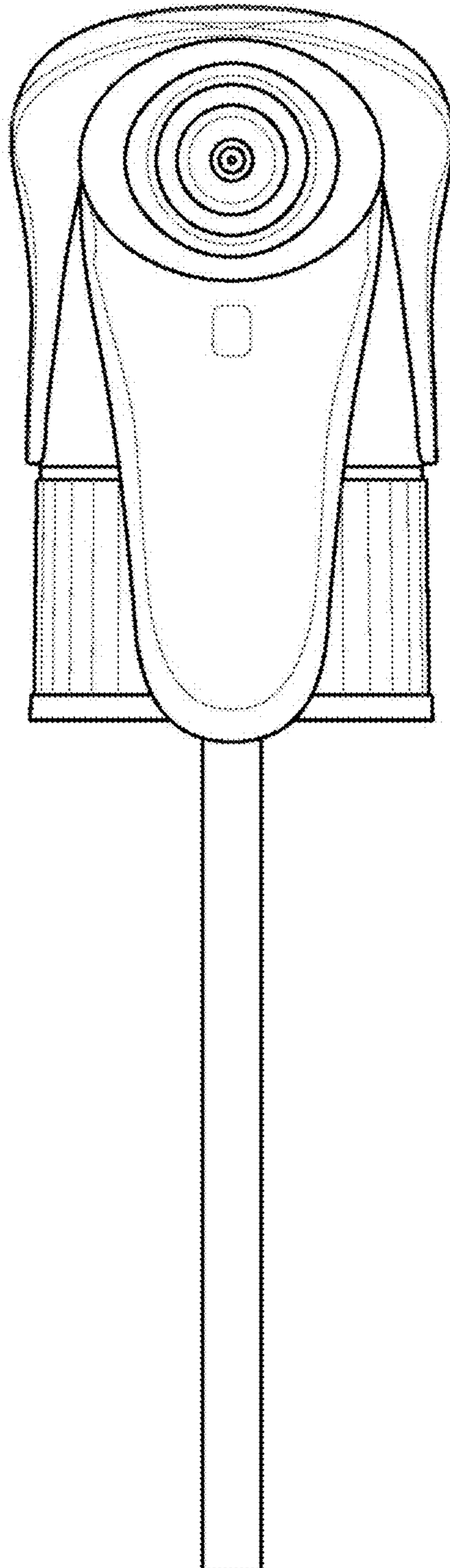
1.2



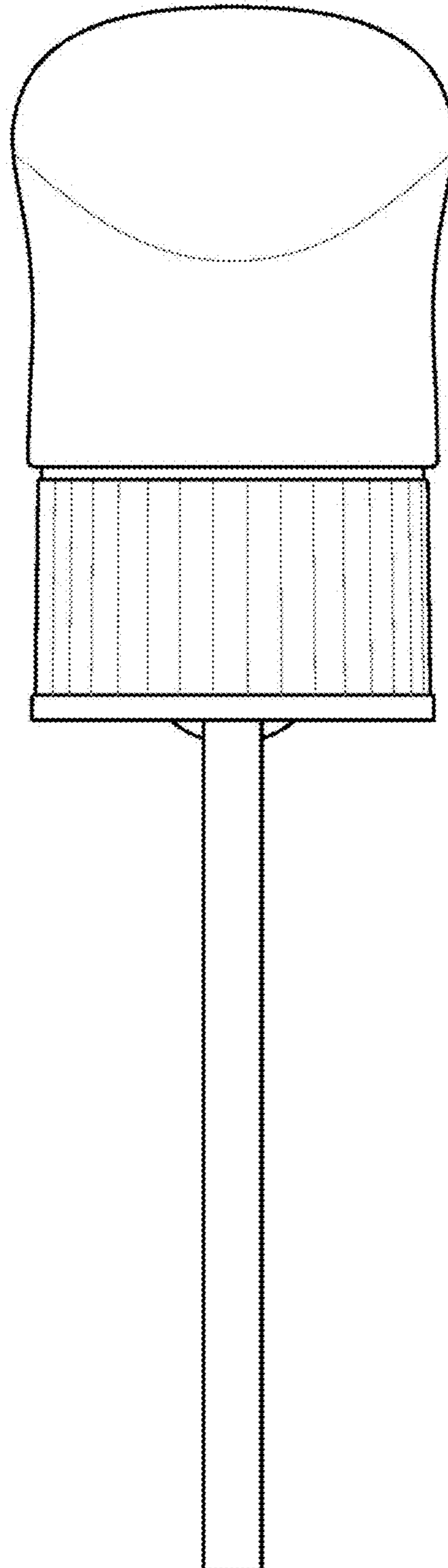
1.3



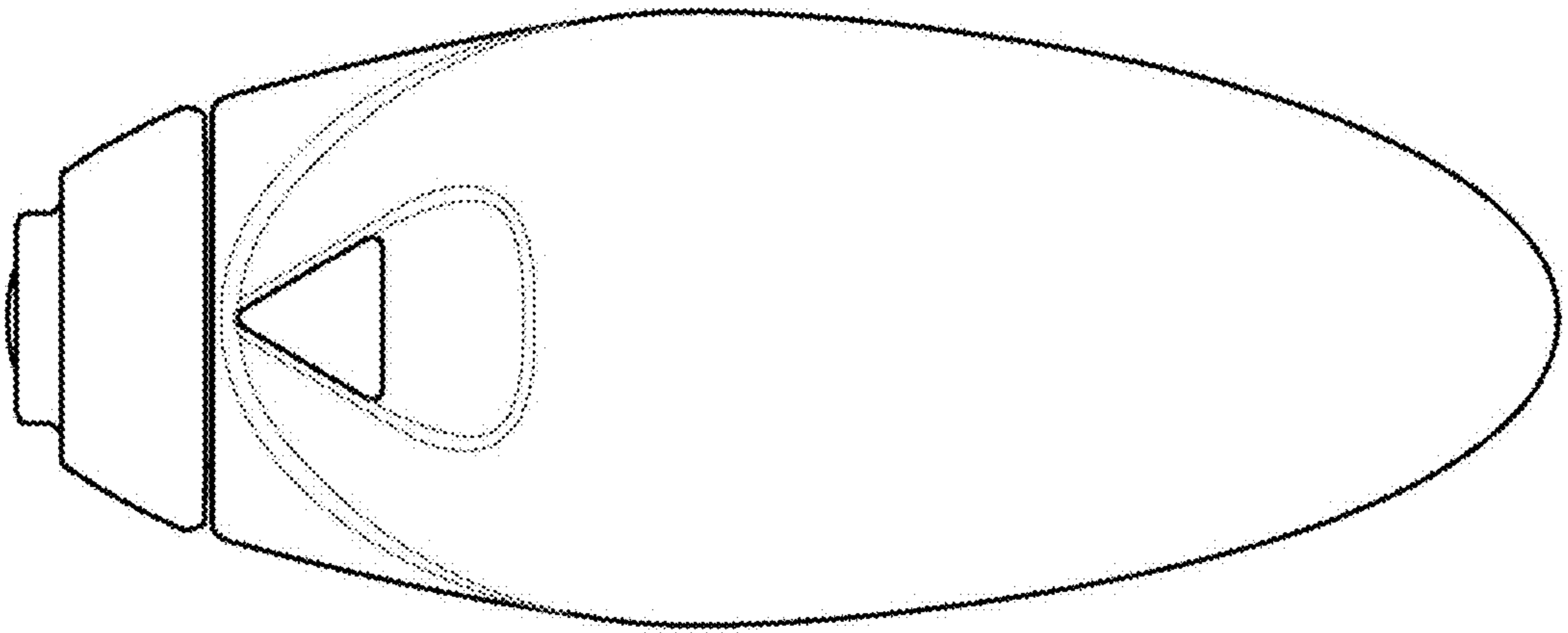
1.4



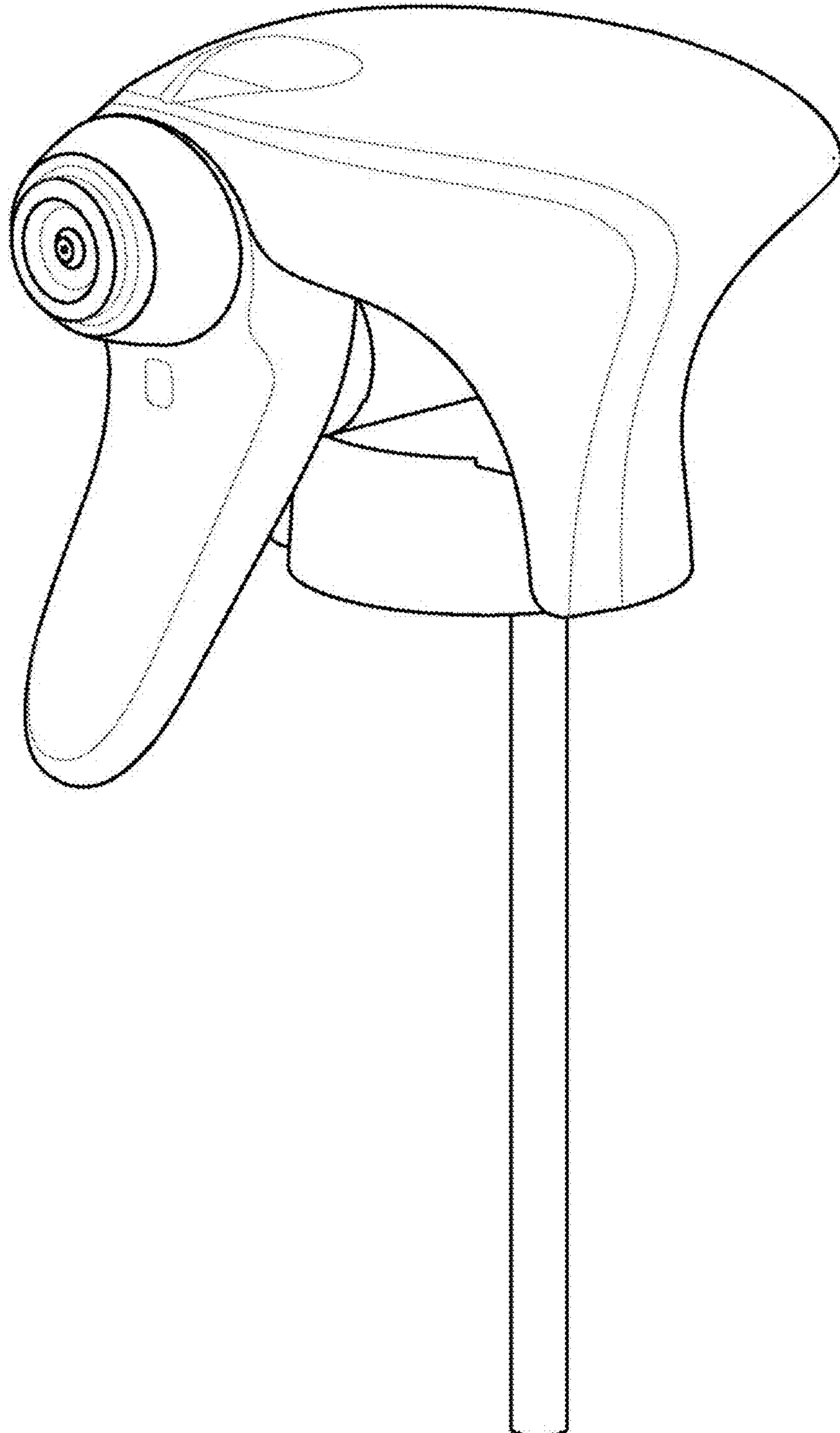
1.5



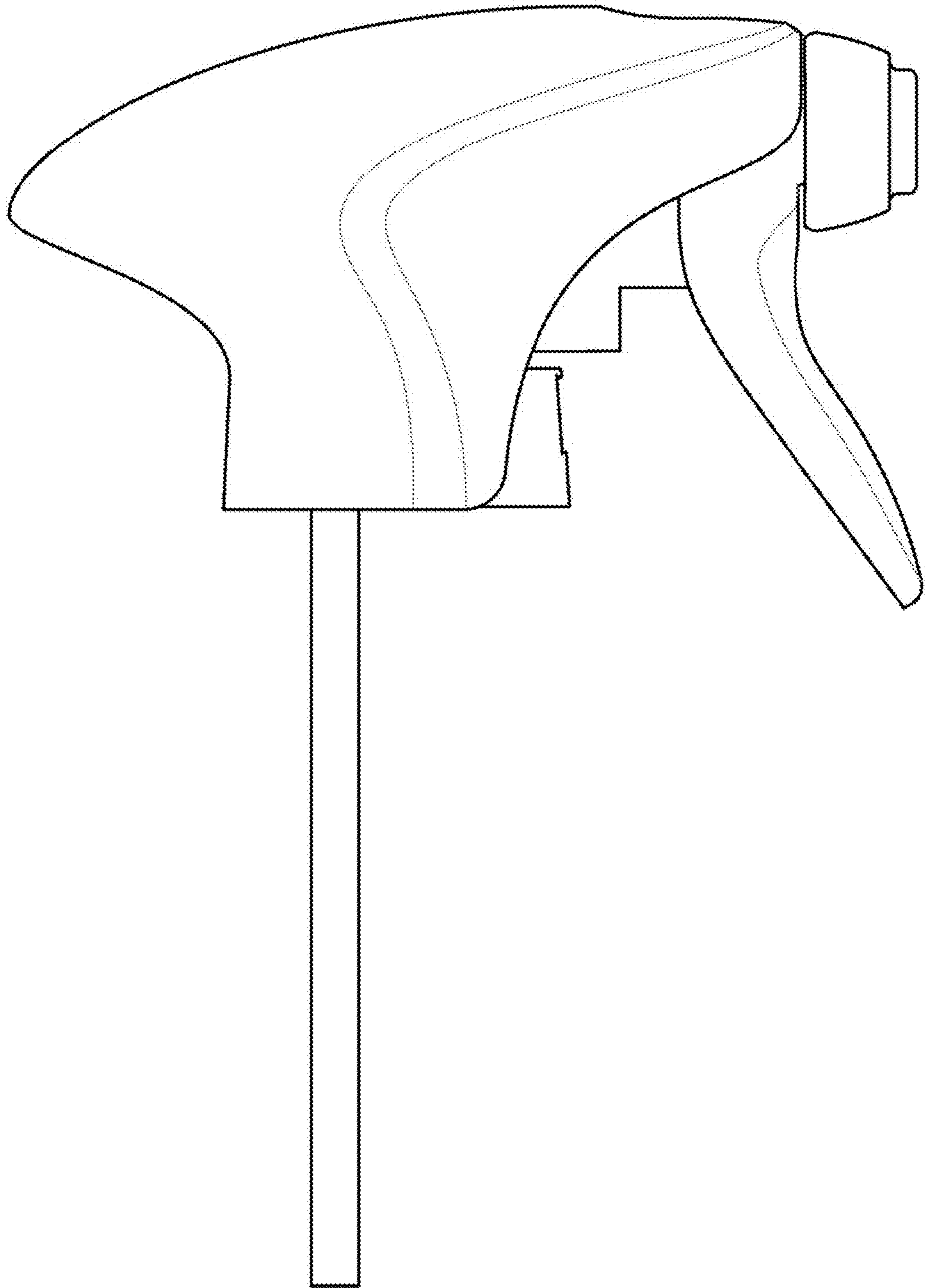
1.6



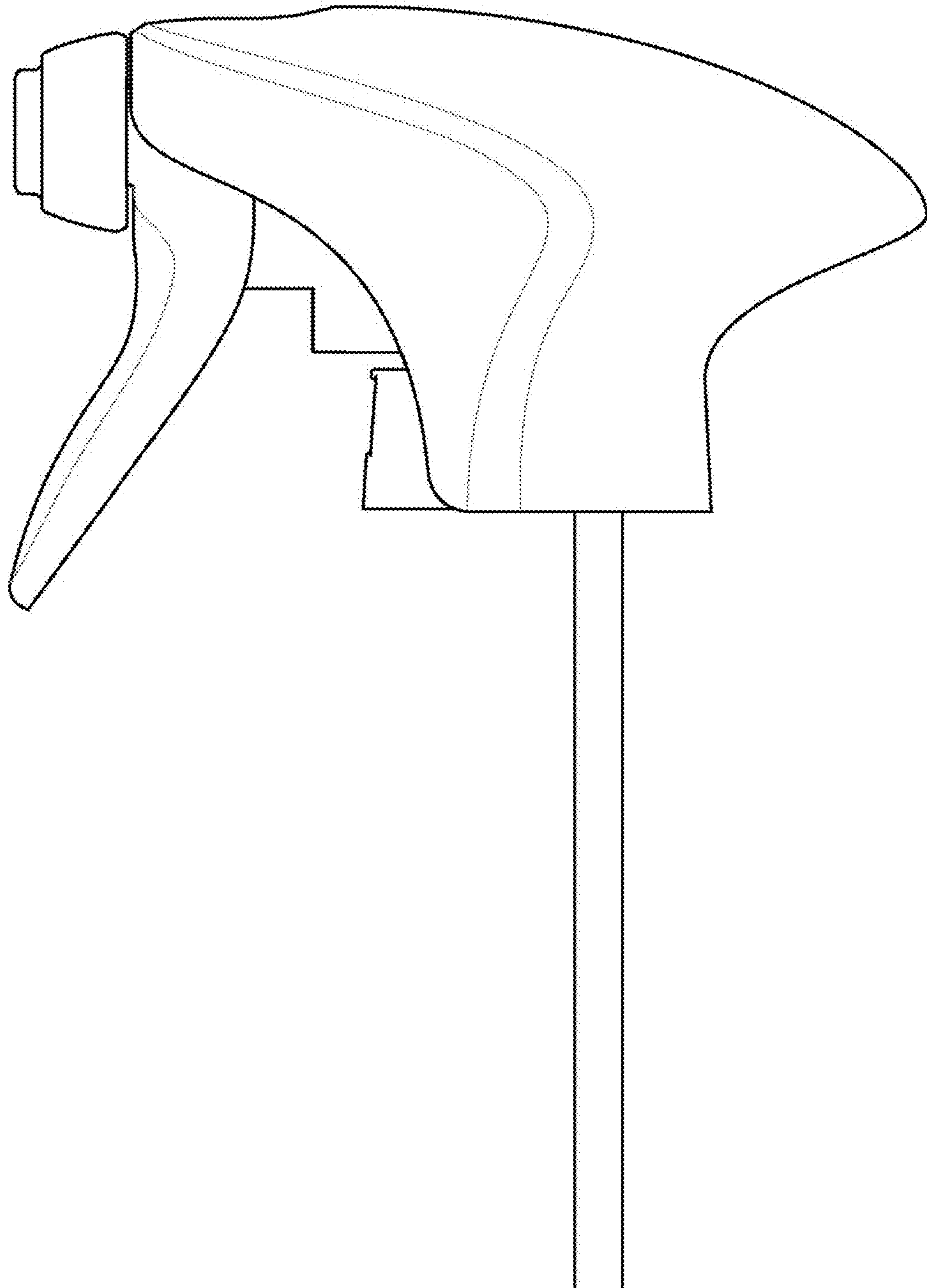
2.1



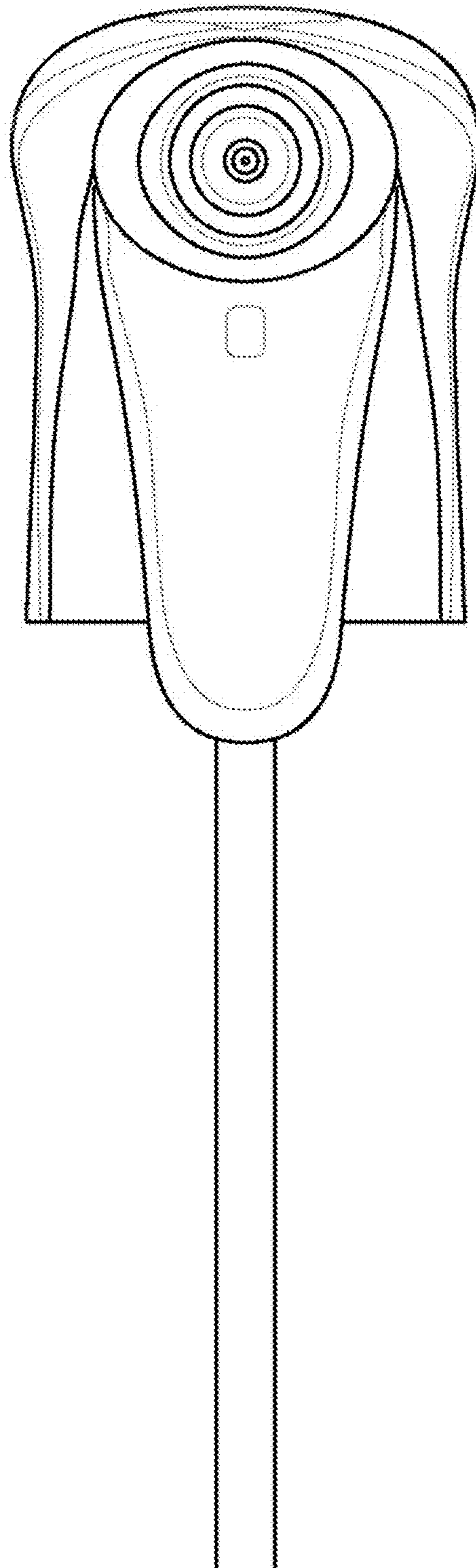
2.2



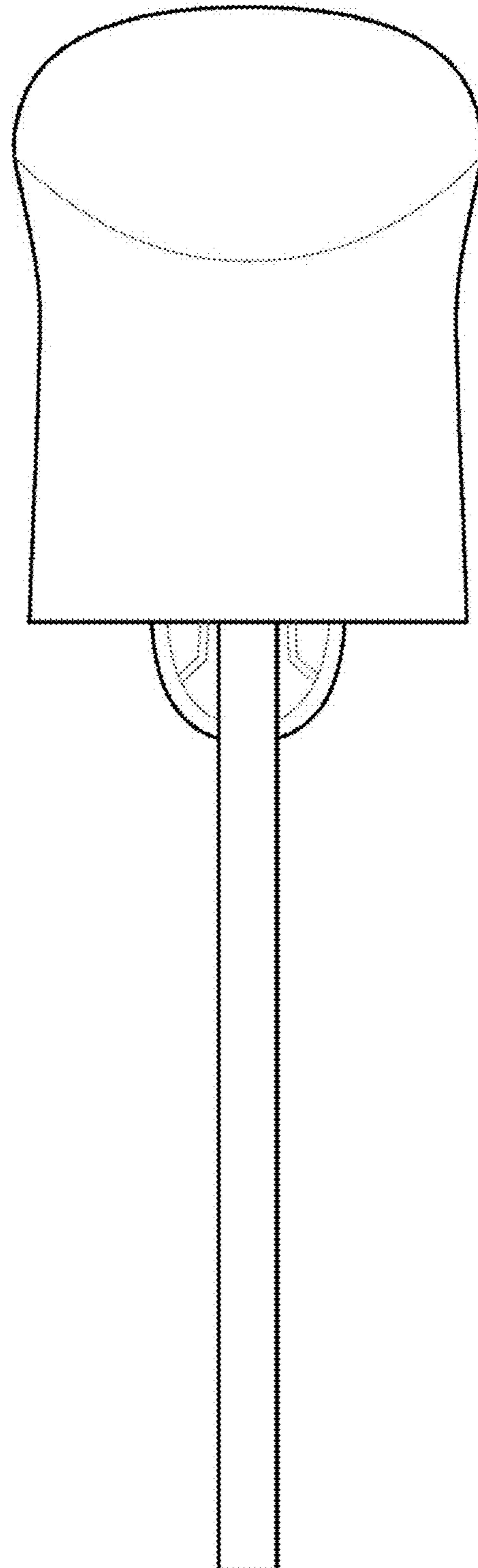
2.3



2.4



2.5



2.6

