

US00D960704S

(12) **United States Design Patent**
Henkel et al.

(10) **Patent No.:** **US D960,704 S**

(45) **Date of Patent:** **** Aug. 16, 2022**

(54) **AEROSOL ACTUATOR**
(71) Applicant: **AptarGroup, Inc.**, Cary, IL (US)
(72) Inventors: **James W Henkel**, Glen Ellyn, IL (US);
Craig Arthur Braun, Elgin, IL (US)
(73) Assignee: **Aptar Group, Inc.**, Cary, IL (US)
(**) Term: **15 Years**

(21) Appl. No.: **29/653,908**
(22) Filed: **Jun. 19, 2018**
(51) **LOC (13) Cl.** **09-07**
(52) **U.S. Cl.**
USPC **D9/448**
(58) **Field of Classification Search**
USPC D9/448; 222/402.13, 402.1, 153.11,
222/402.15, 649, 635, 645
CPC B65D 83/205; B65D 83/22; B65D 83/303;
B65D 83/20; B65D 83/24; B65D 83/44;
B65D 83/28; B65D 83/40; B05B 1/12;
B05D 1/02
See application file for complete search history.

(56) **References Cited**
U.S. PATENT DOCUMENTS
D536,969 S * 2/2007 Geier D9/448
D565,947 S * 4/2008 Downey D9/448
7,487,891 B2 2/2009 Yerby
8,100,298 B2 1/2012 Marquardt
8,127,968 B2 3/2012 Yerby

D665,668 S * 8/2012 Cho D9/448
D666,094 S * 8/2012 Cho D9/448
D680,432 S * 4/2013 Geier D9/448
D750,491 S * 3/2016 Campbell D9/448
D750,492 S * 3/2016 Campbell D9/448
D792,764 S * 7/2017 Jacobs D9/448
10,000,330 B2 * 6/2018 Szekely B65D 83/206
10,435,227 B2 10/2019 Erickson et al.
2015/0090736 A1 4/2015 Erickson et al.

* cited by examiner

Primary Examiner — Gino Colan

(74) *Attorney, Agent, or Firm* — Frijouf, Rust & Pyle,
P.A.

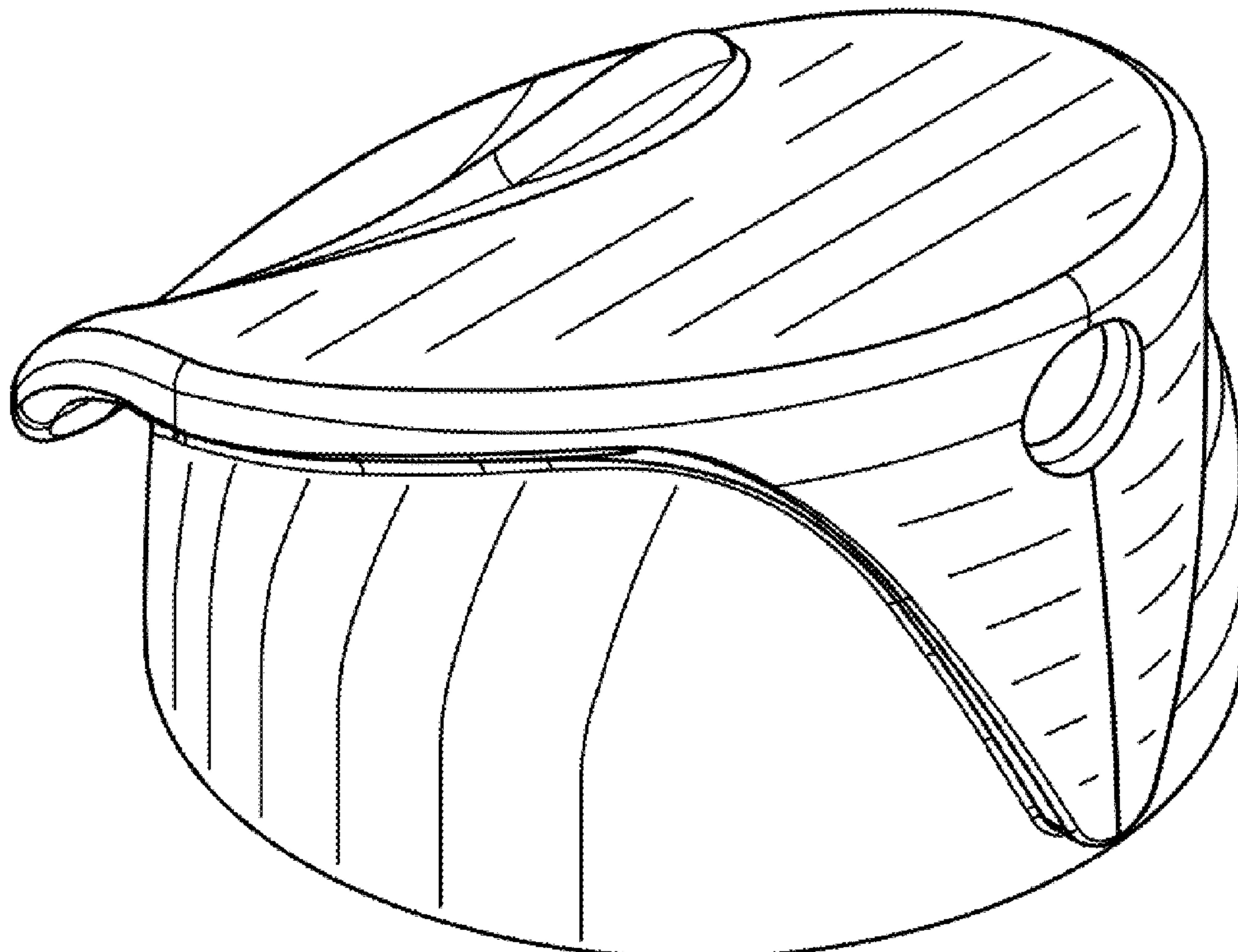
(57) **CLAIM**

The ornamental design for a aerosol actuator, as shown and described.

DESCRIPTION

FIG. 1 is a front perspective view of an aerosol actuator showing our new design;
FIG. 2 is a rear perspective view thereof;
FIG. 3 is a front view thereof;
FIG. 4 is a rear view thereof;
FIG. 5 is a top view thereof;
FIG. 6 is a bottom view thereof;
FIG. 7 is a left side view thereof; and,
FIG. 8 is a right side view thereof.
The broken lines shown in the Figures are for the purpose of illustrating portions of the aerosol actuator and form no part of the claimed design.

1 Claim, 4 Drawing Sheets



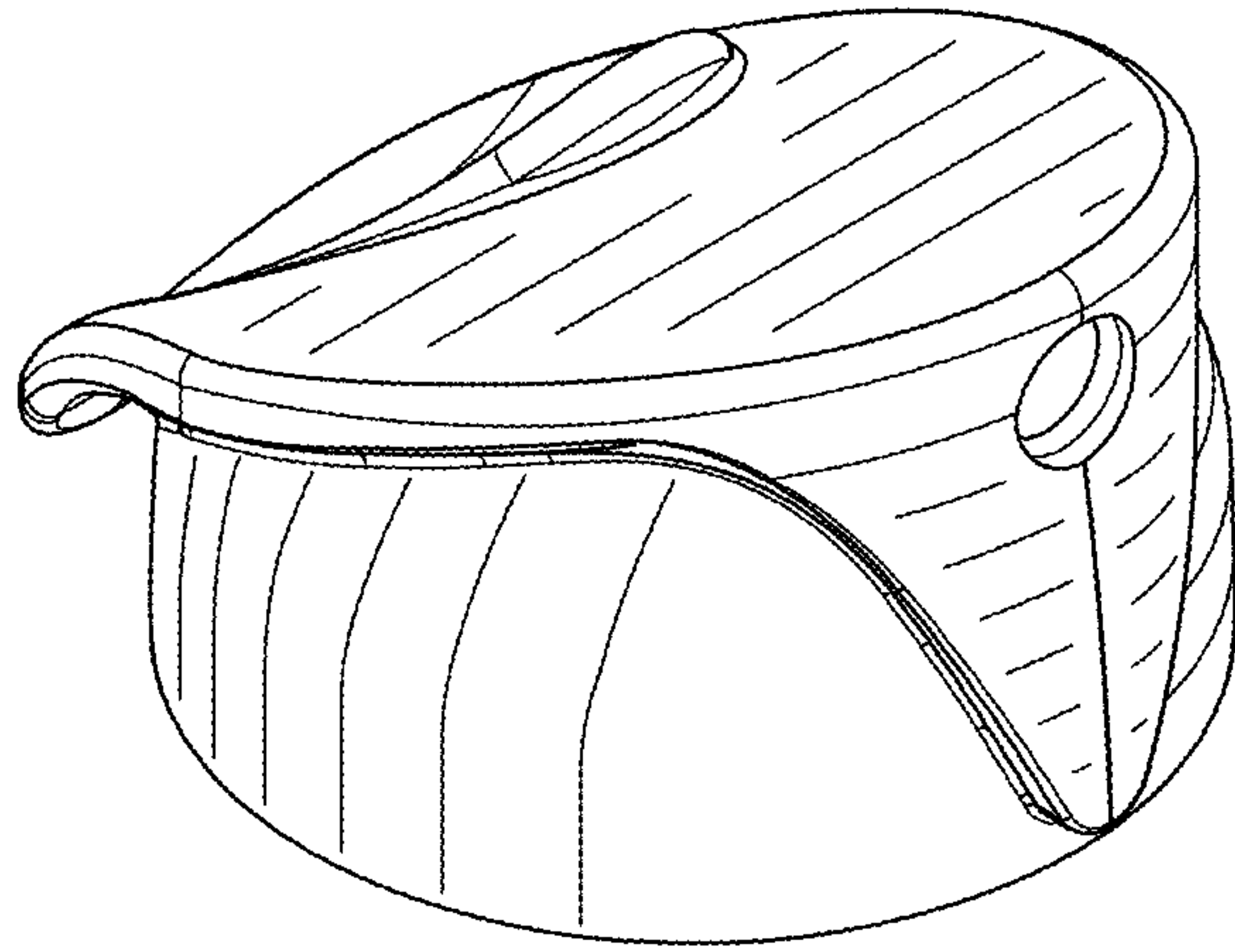


FIG. 1

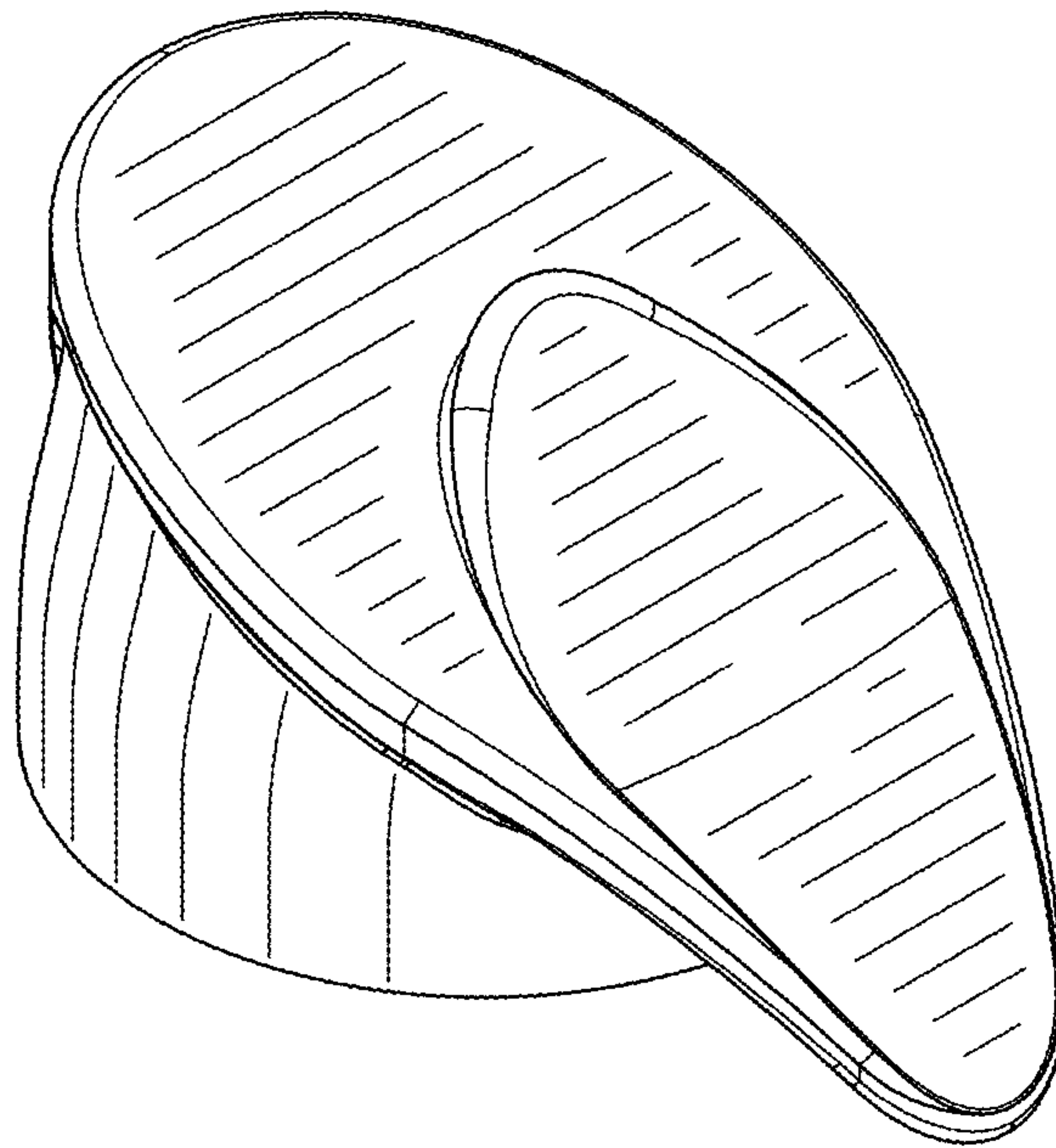


FIG. 2

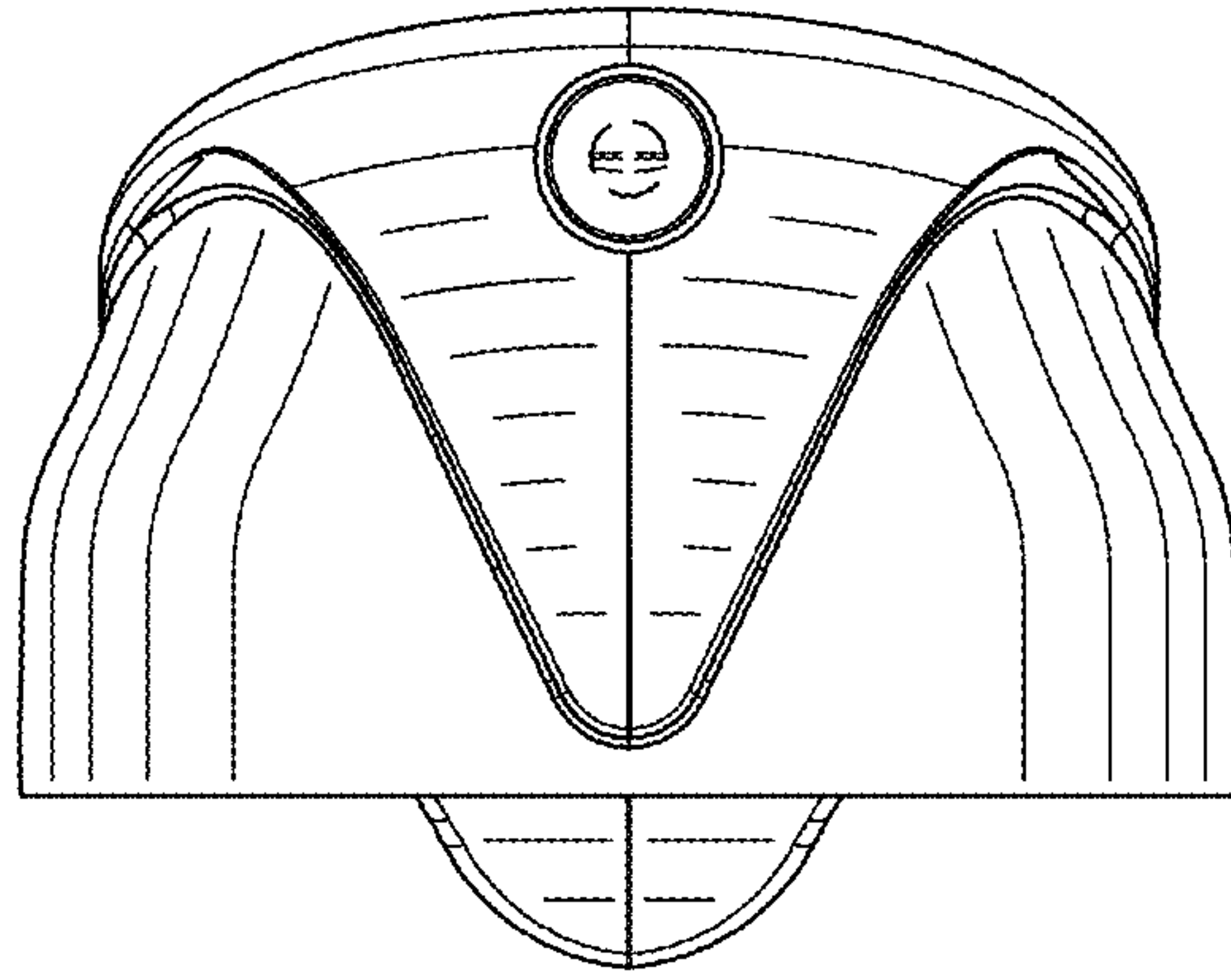


FIG. 3

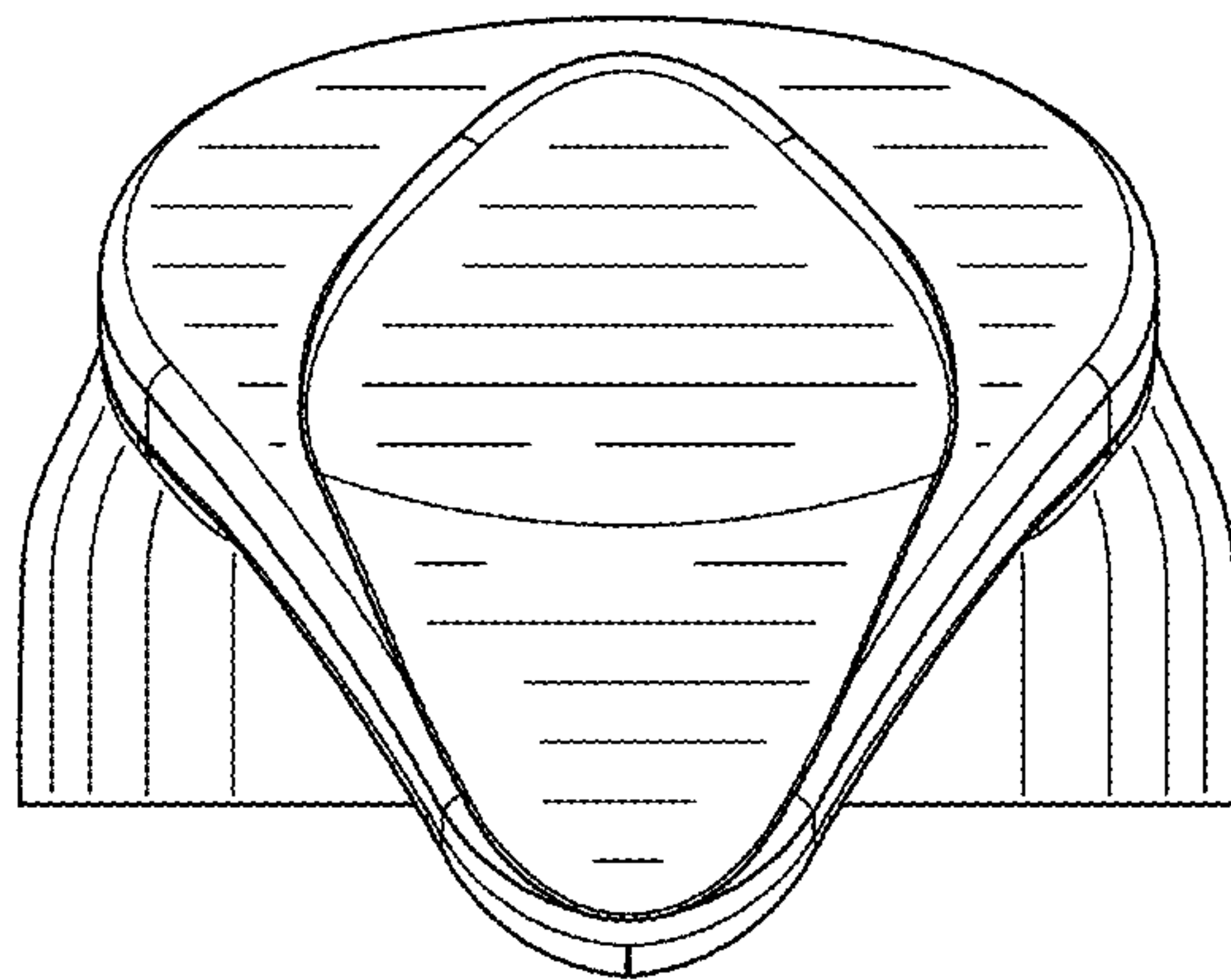


FIG. 4

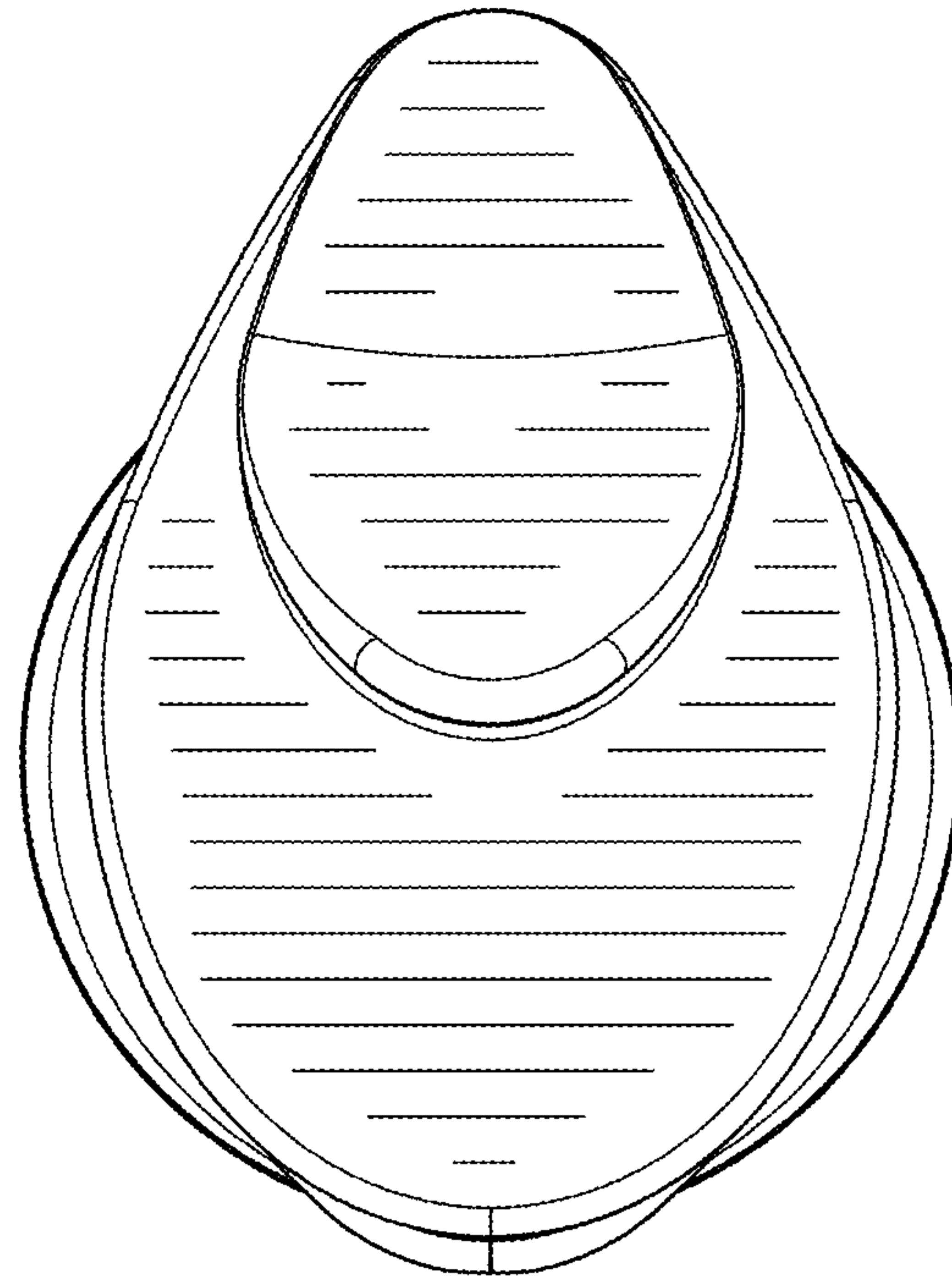


FIG. 5

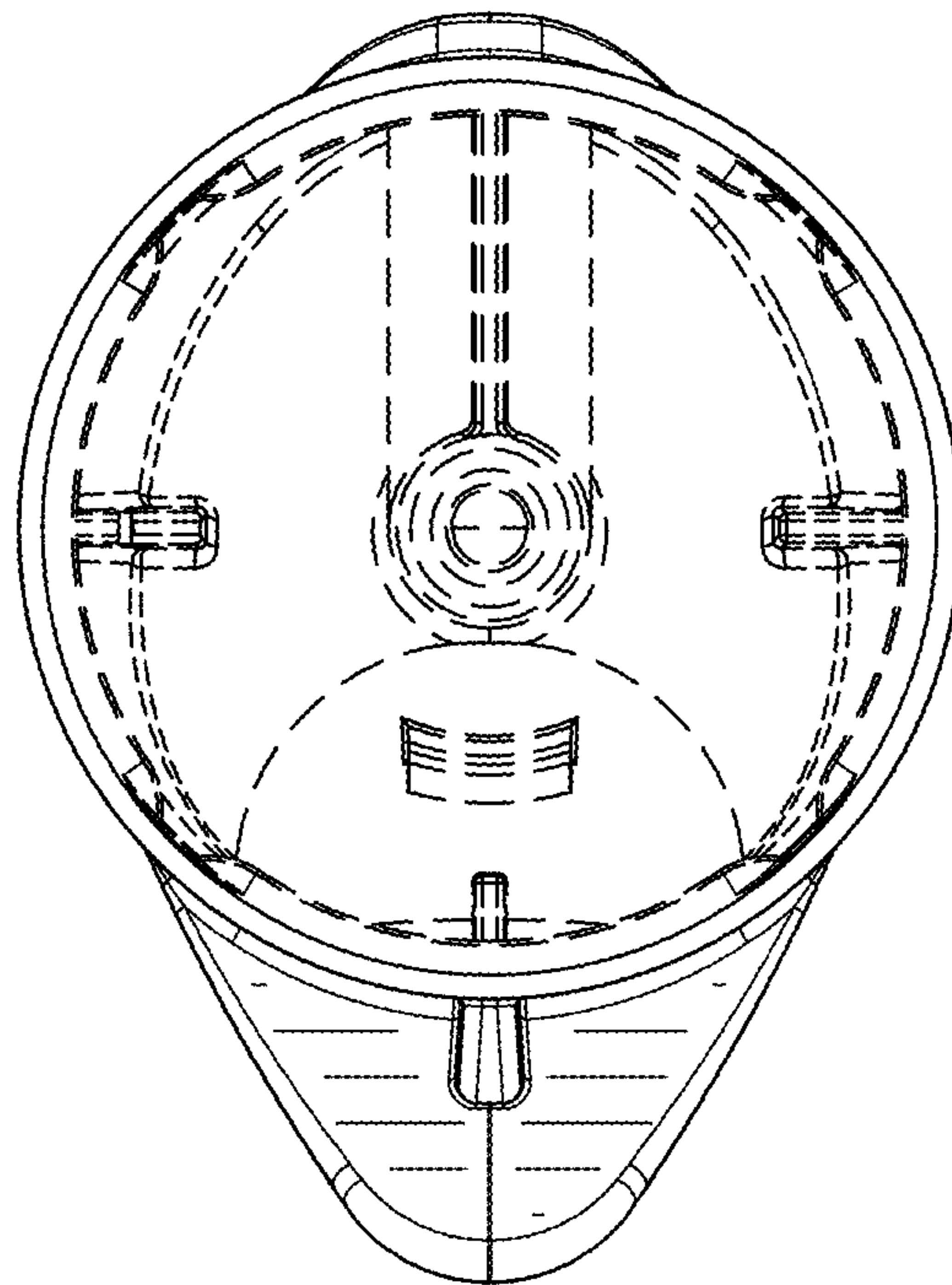


FIG. 6

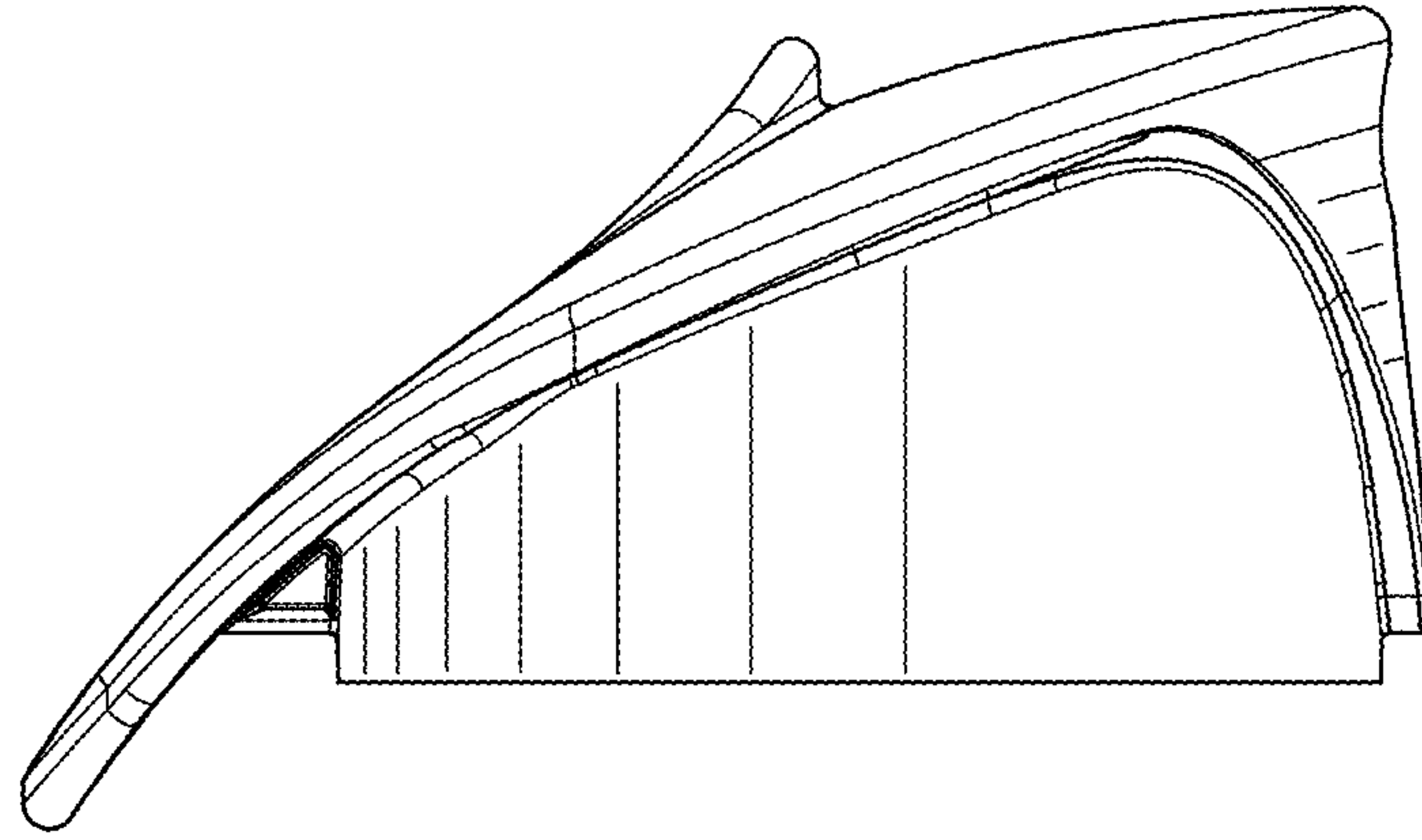


FIG. 7

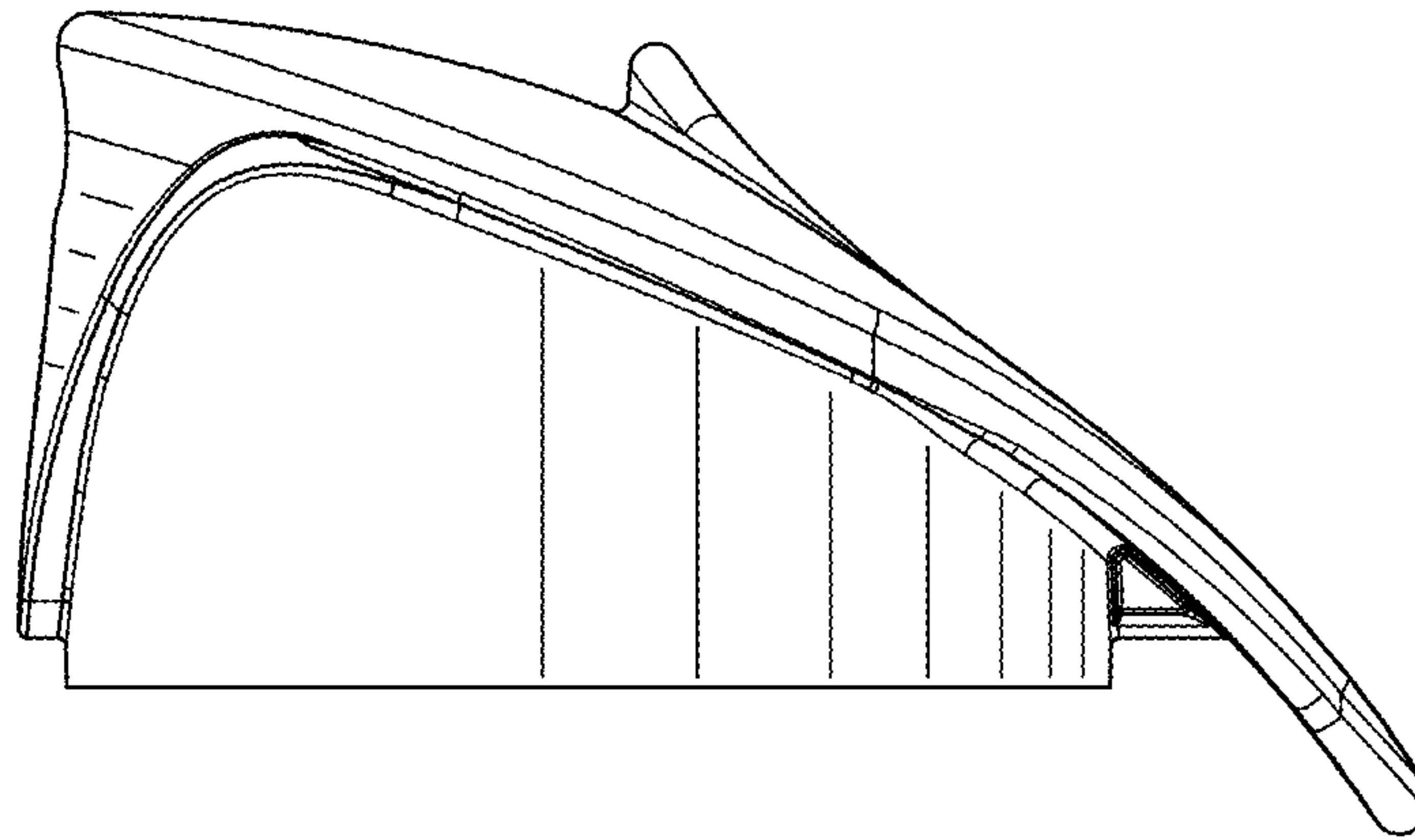


FIG. 8